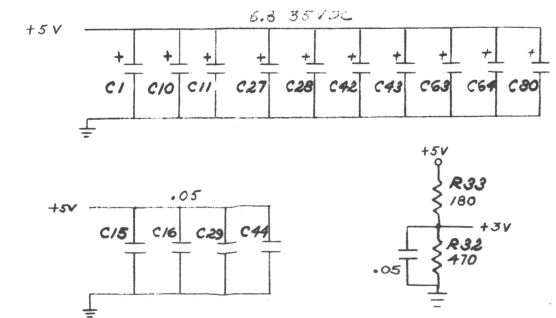
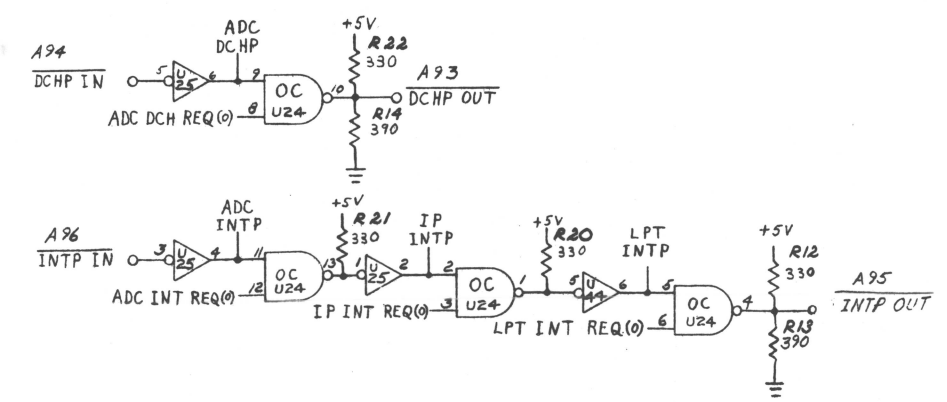
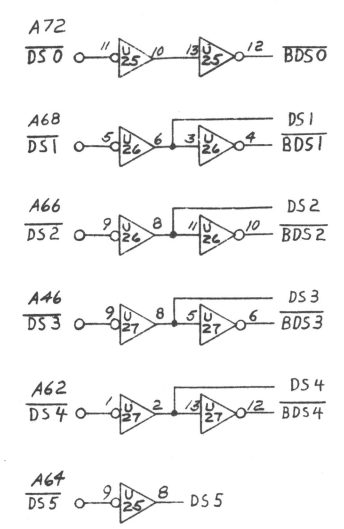
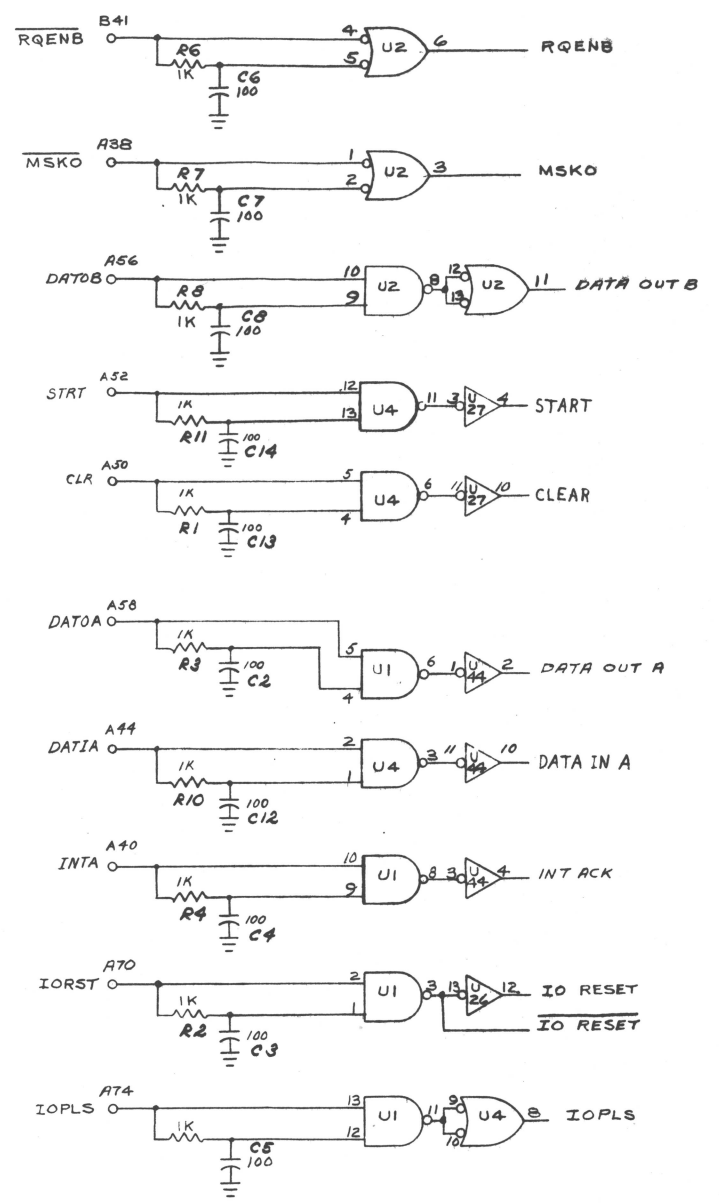
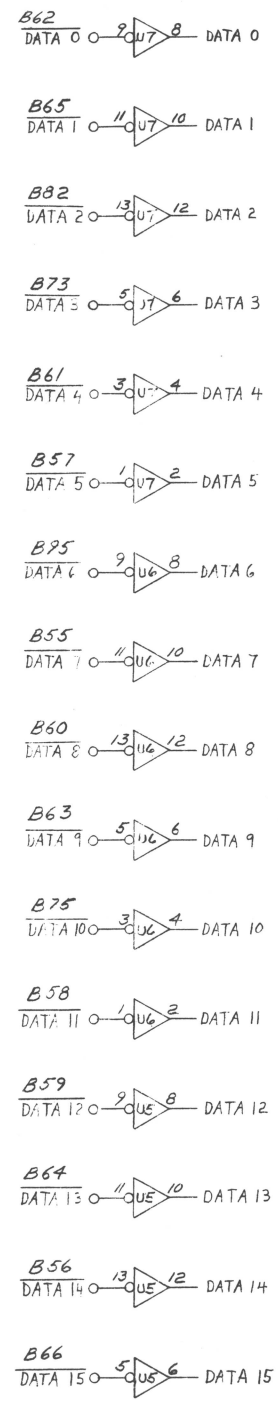


THIS DRAWING AND SPECIFICATIONS, HEREIN, ARE THE PROPERTY OF DATA GENERAL CORPORATION AND SHALL NOT BE REPRODUCED OR COPIED OR USED IN WHOLE OR IN PART AS THE BASIS FOR MANUFACTURE OR SALE OF ITEMS WITHOUT WRITTEN PERMISSION.

REVISIONS				
REV.	DESCRIPTION	DRFTG.	APP. BY	DATE

D
C
B
A



QTY.	DESCRIPTION	PART NO.
DATA GENERAL CORPORATION		
TITLE		
COMMON IO		
UNLESS OTHERWISE SPECIFIED— DIMENSIONS ARE IN INCHES TOLERANCES ON FRACTIONS DECIMALS ANGLES ± .XXX ± PARTS TO BE FREE FROM BURRS BREAK ALL EDGES .010		
UNLESS OTHERWISE SPECIFIED— ALL MACH. SURFACES		
MATERIAL		
FINISH		
DRAWN		
CHECKED		
ENGINEER		
APPROVED		
FIRST USED ON		
SIZE	CODE	DRAWING NUMBER
D	001	000041
SHEET / OF /		REV
2 / /		03

8 7 6 5 4 3 2 1