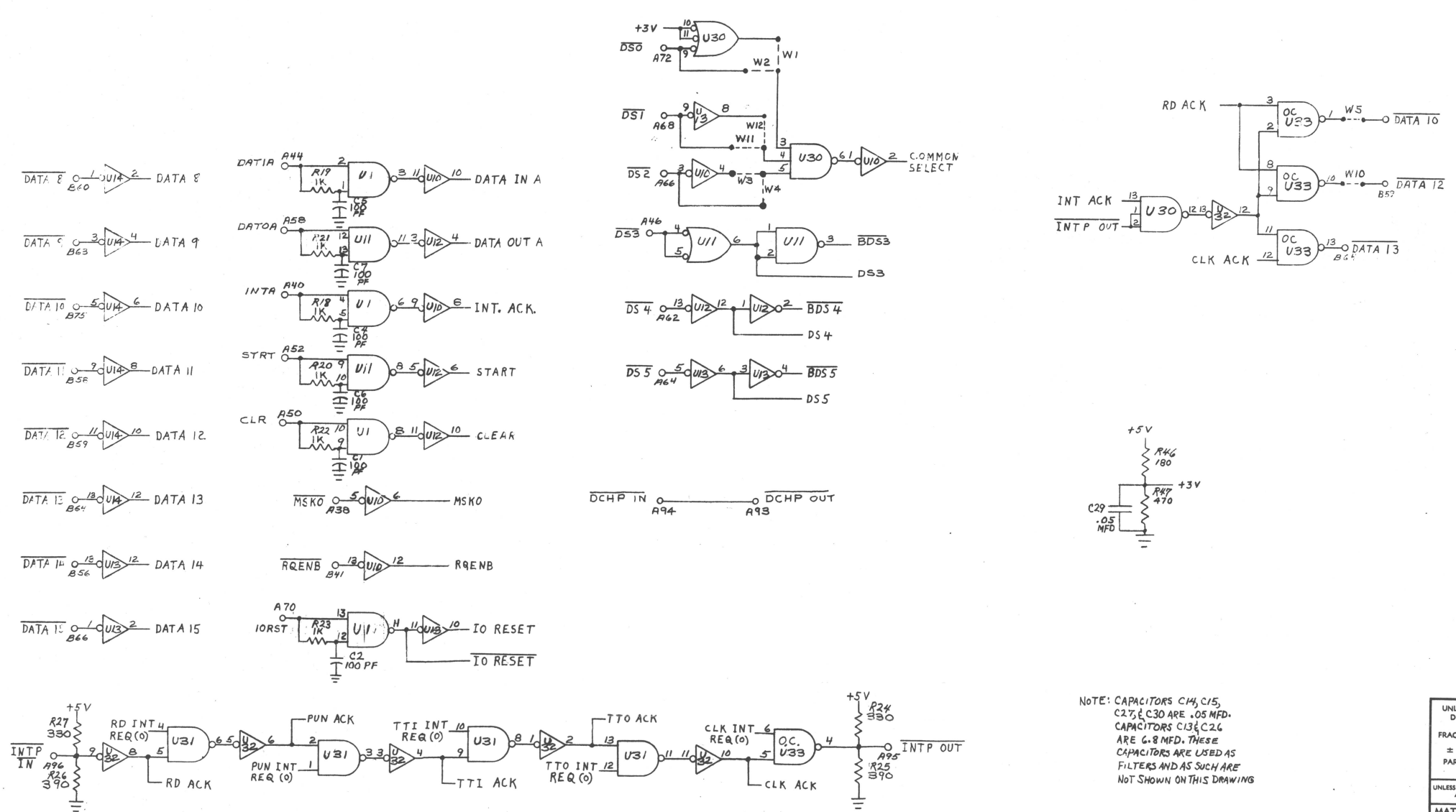


THIS DRAWING AND SPECIFICATIONS, HEREIN, ARE THE PROPERTY OF DATA GENERAL CORPORATION AND SHALL NOT BE REPRODUCED OR COPIED OR USED IN WHOLE OR IN PART AS THE BASIS FOR MANUFACTURE OR SALE OF ITEMS WITHOUT WRITTEN PERMISSION.

REVISIONS					
ECO	REV.	DESCRIPTION	DRFTG.	APP. BY	DATE
074	02	ADD W10	RNK		10-7-71
345	03	ADD W11 & W12	RNK		7-6-71



NOTE: CAPACITORS C1, C5, C27, C30 ARE .05 MFD. CAPACITORS C13 & C26 ARE 6.8 MFD. THESE CAPACITORS ARE USED AS FILTERS AND AS SUCH ARE NOT SHOWN ON THIS DRAWING

QTY.	DESCRIPTION	PART NO.
	DRAWN	
	CHECKED	
	ENGINEER	
	APPROVED	
	FIRST USED ON	
	MATERIAL	
	FINISH	
SHEET	OF	

DATA GENERAL CORPORATION			
TITLE			
IO BUS RECEIVERS & COMMON SELECT			
SIZE	CODE	DRAWING NUMBER	REV
D	001	000070	03