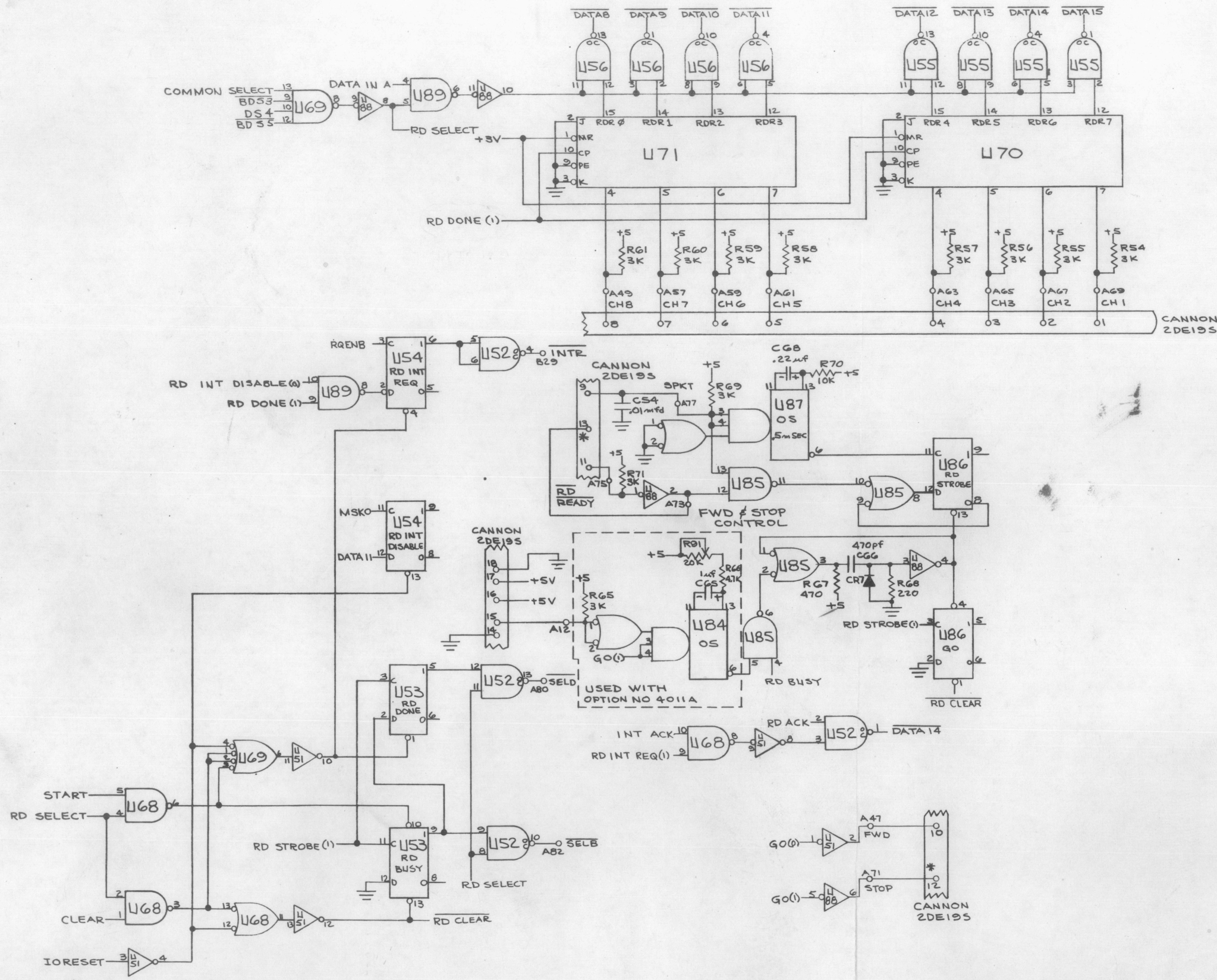


THIS DRAWING AND SPECIFICATIONS HEREIN ARE THE PROPERTY OF DATA GENERAL CORPORATION AND SHALL NOT BE REPRODUCED OR COPIED OR USED IN WHOLE OR IN PART AS THE BASIS FOR MANUFACTURE OR SALE OF ITEMS WITHOUT WRITTEN PERMISSION

REVISIONS				
REV	DESCRIPTION	DRFTG	APP BY	DATE
05	ECO # 2465	R.W.C.	J.W.	7/12/75
REDRAWN NO CHANGE				
06	PER ECO 7197			7/29/75



NOTES:
 1. C28, 42, 52, 53, 64, 67, 69 ARE .05 MFD FILTERS AND AS SUCH ARE NOT SHOWN ON THIS DRAWING.

*USED WITH OPTION NO. 4011 B

QTY	DESCRIPTION	PART NO
	UNLESS OTHERWISE SPECIFIED USE D.G.C. SPECIFICATION 108-00028 FOR TOLERANCES AND WORKMANSHIP REQUIREMENTS	
	DRAWN: R. Johnson 6-20-75	DATA GENERAL CORPORATION
	CHECKED: R. Johnson 6-20-75	SOUTH BORO, MASSACHUSETTS 01772
	ENGINEER	TITLE
	APPROVED	PAPER TAPE READER CONTROL 4011
	FIRST USED ON 4011	
	SCALE	SIZE CODE DRAWING NUMBER REV
		D 001 000 072 06