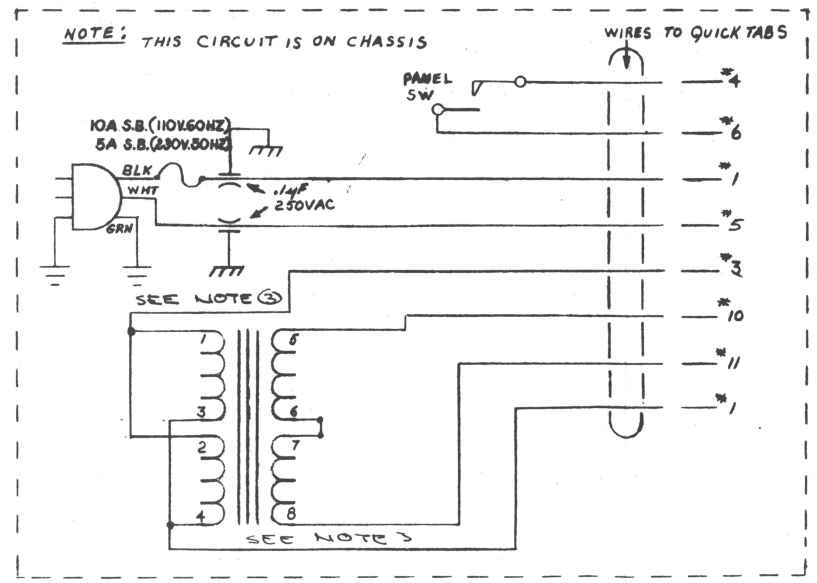
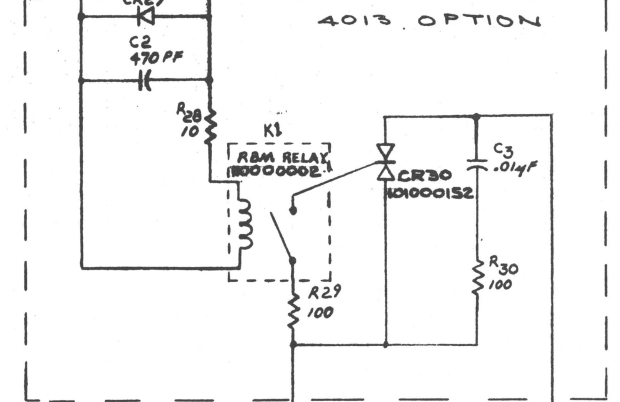
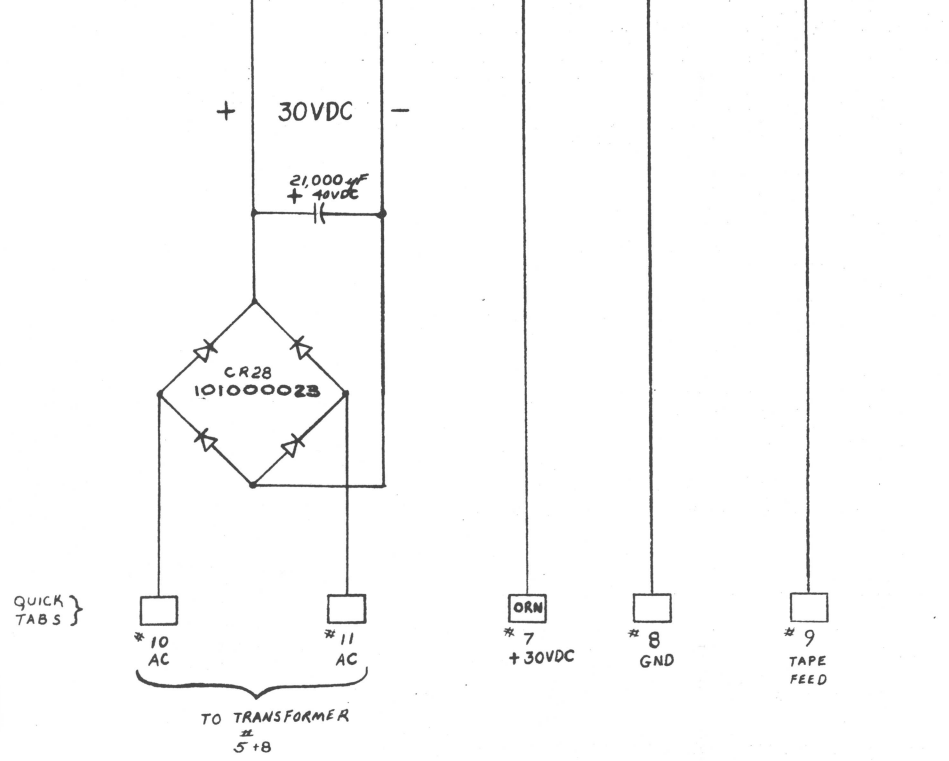
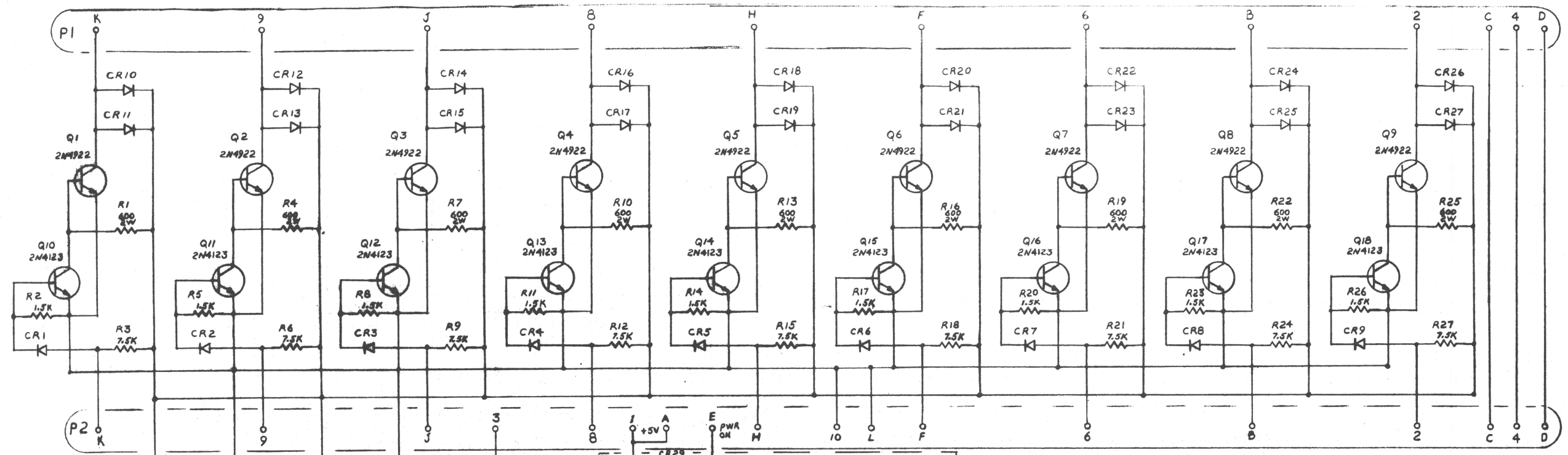


THIS DRAWING AND SPECIFICATIONS, HEREIN, ARE THE PROPERTY OF DATA GENERAL CORPORATION AND SHALL NOT BE REPRODUCED OR COPIED OR USED IN WHOLE OR IN PART AS THE BASIS FOR MANUFACTURE OR SALE OF ITEMS WITHOUT WRITTEN PERMISSION.

REVISIONS				
REV.	DESCRIPTION	DRFTG.	APP BY	DATE
01	ECO # 1891	R.W.C.		3-27-71
02	ECO # 2327	R.W.C.		7-2-71
03	ECO # 2786A	RAS	F.S.	11-27-71
04	ECO # 3933	RAS	J.P.B.	11-27-71



QUICK TABS }
 * 10 AC
 * 11 AC
 TO TRANSFORMER # 5+8

ORN * 7 +30VDC
 * 8 GND
 * 9 TAPE FEED

WHT * 1 AC IN AND TO TF # 3+4
 WHT * 2 MOTOR

WHT * 5 AC IN
 BLK * 6 SW + OPEN

BLK * 3 AND TO TF # 1+2
 YEL * 4 AND TO MOTOR

NOTE:
 UNLESS OTHERWISE SPECIFIED,
 ① RESISTORS ARE 1/4w 5%
 ② DIODES ARE 1010000023
 ③ 230 OPTION ELIMINATE TIC BETWEEN 1 & 2 OIL TRANS, 3 & 4 OIL TRANS, & TIC 2 & 3 TOGETHER

UNLESS OTHERWISE SPECIFIED—		QTY.	DESCRIPTION	PART NO.
DIMENSIONS ARE IN INCHES	TOLERANCES ON FRACTIONS DECIMALS ANGLES	DRAWN	11/10/71	
XXX = PARTS TO BE FREE FROM BURRS	BREAK ALL EDGES 010	CHECKED		
UNLESS OTHERWISE SPECIFIED—	ALL MACH. SURFACES	ENGINEER		
MATERIAL	APPROVED	FIRST USED ON	4012A	
FINISH	SCALE	107-000/41-	4013	
SIZE	CODE	DRAWING NUMBER	REV	
D	001	000199	04	

DATA GENERAL CORPORATION
 SOUTHBORO, MASSACHUSETTS 01772

TITLE
PUNCH INTERFACE
 4013 and 4012A OPTIONS