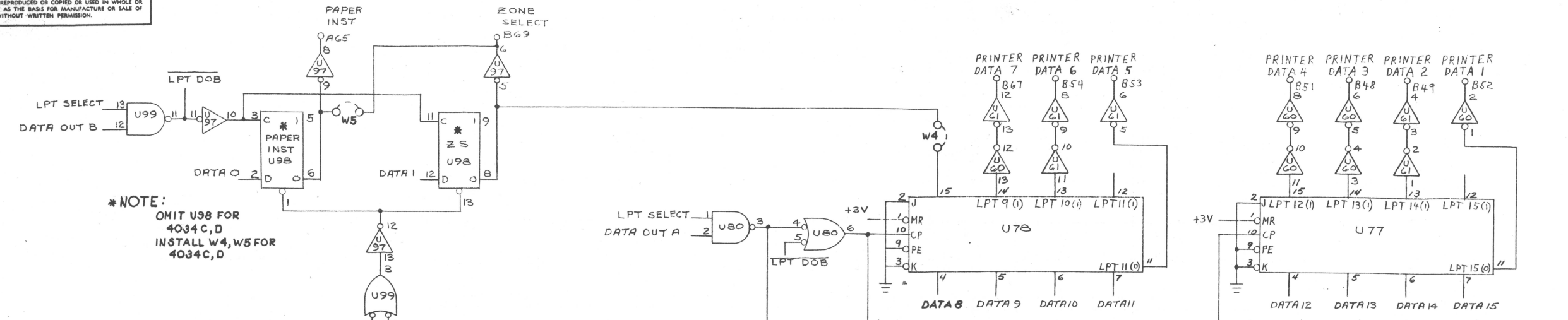
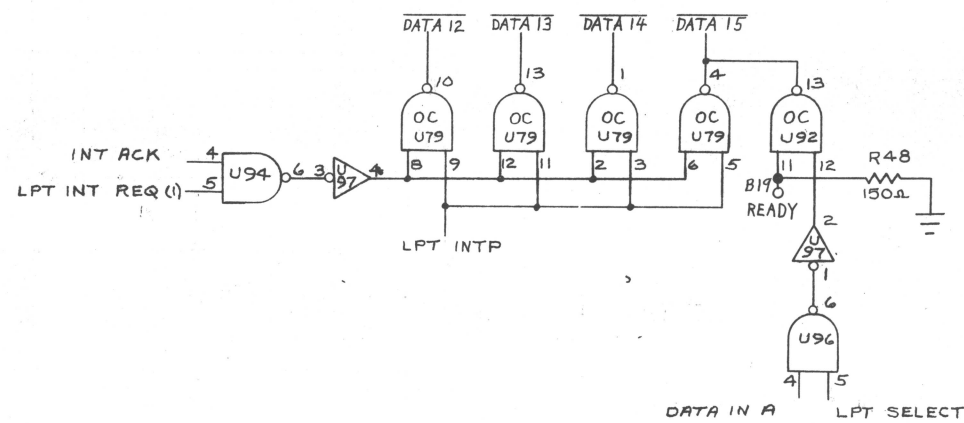
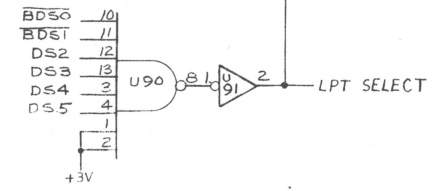
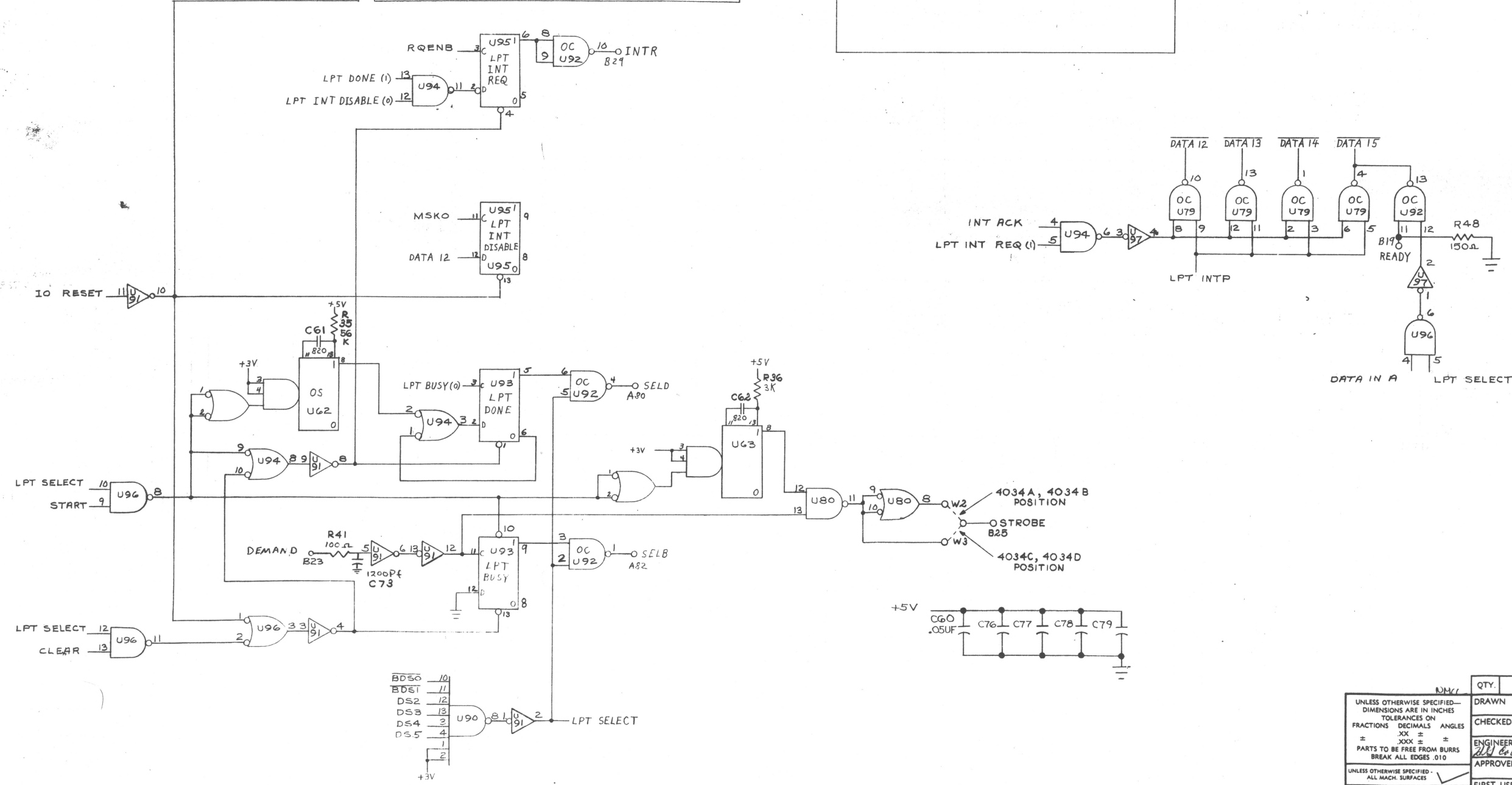


THIS DRAWING AND SPECIFICATIONS, HEREIN, ARE THE PROPERTY OF DATA GENERAL CORPORATION AND SHALL NOT BE REPRODUCED OR COPIED OR USED IN WHOLE OR IN PART AS THE BASIS FOR MANUFACTURE OR SALE OF ITEMS WITHOUT WRITTEN PERMISSION.

REVISIONS				
REV.	DESCRIPTION	DRFTG.	APP. BY	DATE
01	1. ADD 150Ω, 1300 PF TO DEMAND INPUT			
	2. DELETE "LPT SELECT FROM U98 AND LPT INT REQ(1) TO E633.		S.Bath	10/7/70
02	1. ADD WIRE TO PROPAGATE D.C.H.P			
	2. ADD +3V SOURCE		D.LARUNA	10/8/70
	3. CORRECT OUTPUT PINS ON BUSY FLOP			
03	ECO # 1213, JUMPERS NO'S. W1 & W2 ADDED.		R.W.C.	12-4-72
04	ECO # 1283, R35 10KΩ CHANGED TO 56KΩ, U98 PIN 5 CHANGED TO PIN 6, PIN 6 " " PIN 5.		R.W.C.	12-27-72
05	ECO # 1310, JUMPER NO'S. W1 & W2 CHANGED. W1 TO W2 & W2 TO W3		R.W.C.	12-27-72
06	ECO # 1613		R.W.C.	5-17-74
07	ECO # 2423		R.E.U.	6-13-74



\*NOTE:  
OMIT U98 FOR 4034C, D  
INSTALL W4, W5 FOR 4034C, D



QTY.	DESCRIPTION	PART NO.
	<b>DATA GENERAL CORPORATION</b>	
	SOUTHBORO, MASSACHUSETTS 01772	
	TITLE	
	<b>LINE PRINTER CONTROL</b>	
	(DATA PRODUCTS 2310, 2410)	
	SIZE CODE	DRAWING NUMBER
	D 001	000036
	SCALE	REV.
		07