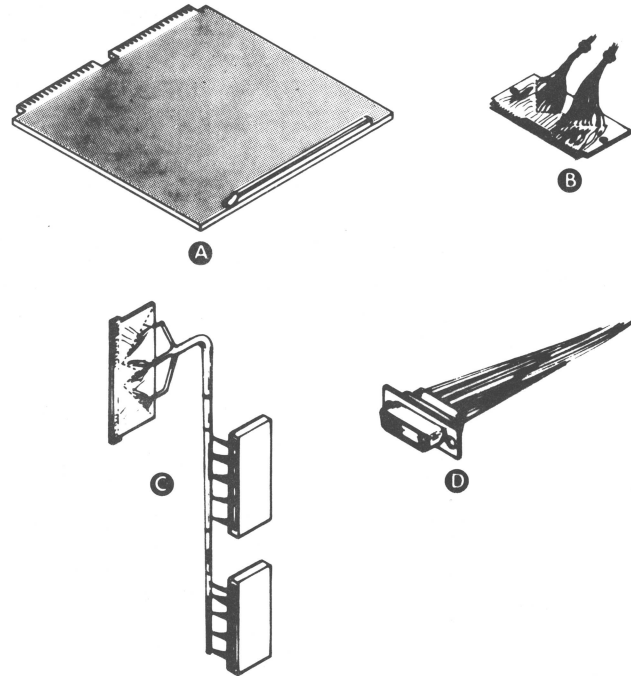


SUBSYSTEM COMPONENT BREAKDOWN



MAJOR COMPONENT

Item	Component	Mounting Location	Notes
A	4014/4034 Line Printer Controller	CPU chassis	used with series 4034 C&D, 6073, 6074 Printers
	4014/4193 Line Printer Controller	CPU chassis	4034 G&H
	Line Printer Data Channel Controller	CPU chassis	used with series 4215, 4216, 4218, 4219, 4244, 4245, 6088, 6089

CABLE

Item	Cable	Connecting	Max Allowed Lg		Notes
			ft	m	
B	INTERNAL DEVICE	BP WW PINS and EDGE CONN	1.5	.46	820, 1210, 1220
	INTERNAL DEVICE	BP WW PINS " EDGE CONN	1.5	.46	NOVA 2/4 NOVA 2/10 ECLIPSE S/7, S/16
C	INTERNAL DEVICE	BP (CONNECTORS) EDGE CONN			ECLIPSE M/600, C350, S250, NOVA 4
D	INTERNAL DEVICE	BP WW PINS " SOCKET CONN	1.5	.46	NOVA SUPER NOVA
	INTERNAL DEVICE	BP WW PINS " SOCKET CONN	1.5	.46	800, 830, 840, 1200

SPECIFICATIONS OF THE CHASSIS-MOUNTED COMPONENTS

Component	Chassis	Slots Required	Max Allowable Data Channel Latency (μ sec)	Type of Data Channel Service Desired		Max Allowable Programmed I/O Latency \dagger	Controller's +5 Volt Current Draw (Amps)
				High Speed	Standard		
4014/4034	Computer	1	N/A	N/A	N/A	2.5ms/line	1.0
4014/4193	Computer	1	N/A	N/A	N/A	2.5ms/line	1.0
005-8096	Computer	1	*			N/A	2.5

* There is no maximum data channel latency figure for the subsystem per se, however, in order to maintain maximum print rate, a line of data and a control character must be transferred within 2.5 ms after the initial demand assertion.

019-00840 BRUNING 40-526 27928

THIS DRAWING AND SPECIFICATIONS, HEREIN, ARE THE PROPERTY OF DATA GENERAL CORPORATION AND SHALL NOT BE REPRODUCED OR COPIED OR USED IN WHOLE OR IN PART AS THE BASIS FOR MANUFACTURE OR SALE OF ITEMS WITHOUT WRITTEN PERMISSION.

REV	CC																		
ECO																			
APP																			
DATE																			

DRAWN <i>Leonard Sisiawski</i> 1/23/78	APPROVED
CHECKED <i>[Signature]</i> 1/4/78	FIRST USED ON
ENGINEER <i>[Signature]</i> 1/13/78	CODE IDENT 34984

TITLE
LINE PRINTER CONTROLLER
SERIES 4014/4034, 4014/4193
4215, 4216, 4218, 4219, 4244, 4245

DATA GENERAL CORPORATION			
WESTBORO, MASSACHUSETTS 01581			
SIZE	CODE	DRAWING NUMBER	REV.
C	OIO	000199	01

4

3

2

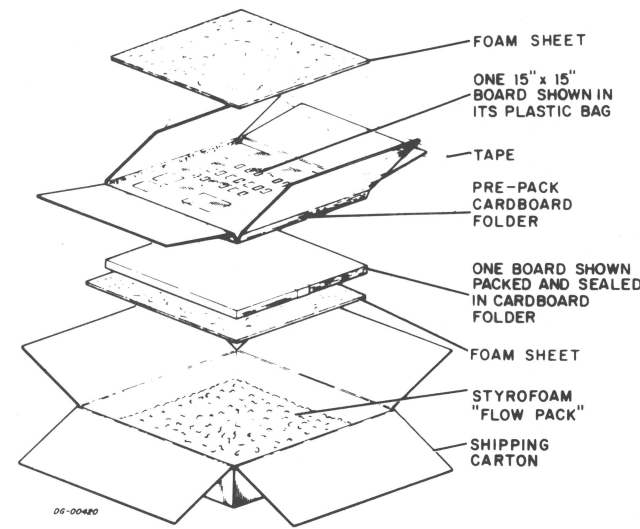
1

SHIPPING

INTERNAL CABLING

D

D



SHIPPING AND PACKAGE DATA					
Outside Dimensions			Weight (Gross)	Volume	Density
Length	Width	Depth			
in.	in.	in.	lbs.	cu ft.	lbs/cu ft.
cm	cm	cm	kg	cu m	kg/cu m
18	45	4	8	.75	10.7
		10	3.8	.02	180
SHIPPING SPECIFICATIONS			STORAGE SPECIFICATIONS		
Temperature Range	Relative Humidity	Maximum Altitude	Temperature Range	Relative Humidity	Maximum Period
°F -40 to +160	(Non-condensing) 0/80%	50,000ft. 15,200m	°F -40 to +160	(Non-condensing) 0/30	90 days
°C -40 to +71			°C -40 to +71		

06-03224

DATA CHANNEL CONTROLLER

PROGRAMMED I/O CONTROLLER

Signal Names	Paddleboard Edge Connector Pin Numbers	Destination Pins on Backpanel (NOVA & ECLIPSE Line Computers)	Socket Connector Pin Numbers	Signal Names	Paddleboard Edge Connector Pin Numbers	Destination Pins on Backpanel (NOVA & ECLIPSE Line Computers)	Socket Connector Pin Numbers
READY	33	B-19	1	ON LINE	33	B-19	1
DEMAND	34	B-23	3	DEMAND	34	B-23	3
STROBE	35	B-25	5	STROBE	35	B-25	5
DATA 1	36	B-27	7	DATA 1	45	B-52	7
DATA 2	37	B-31	9	DATA 2	43	B-49	9
DATA 3	38	B-34	11	DATA 3	42	B-48	11
DATA 4	39	B-36	13	DATA 4	44	B-51	13
DATA 5	40	B-38	15	DATA 5	46	B-53	15
DATA 6	41	B-40	17	DATA 6	47	B-54	17
DATA 7	42	B-48	19	DATA 7	48	B-67	19
ON LINE	32	B-15	21	ZONE SELECT	49	B-69	21
PAPER INST.	43	B-49	23	PAPER INST.	12	A-65	23
Computer		Internal Cable Part No.		Computer		Internal Cable Part No.	
ECLIPSE M/600 C350, S250		005-012496		ECLIPSE M/600 C350, S250		005-012496	
NOVA 820, 1210, 1220, 2, 3 ECLIPSE Series		005-001802		NOVA 820, 1210, 1220, 2, 3 ECLIPSE Series		005-001802	
NOVA 4		005-012472		NOVA 4		005-012472	
NOVA 800, 800Jumbo, 830, 1200 SUPERNOVA		*005-000384		NOVA 800, 800Jumbo, 830, 1200 SUPERNOVA		**005-000384	

* USE WIRE LIST 008-990 WHEN INSTALLING THIS CABLE

** USE WIRE LIST 008-075 WHEN INSTALLING THIS CABLE

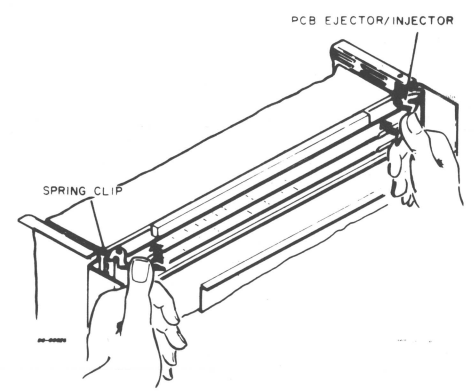
C

C

B

B

INSTALLING PC BOARD



A

A

013-000840
BRUNING 40-526 27928

THIS DRAWING AND SPECIFICATIONS, HEREIN, ARE THE PROPERTY OF DATA GENERAL CORPORATION AND SHALL NOT BE REPRODUCED OR COPIED OR USED IN WHOLE OR IN PART AS THE BASIS FOR MANUFACTURE OR SALE OF ITEMS WITHOUT WRITTEN PERMISSION.

REV											
ECO											
APP											
DATE											

DRAWN	APPROVED
CHECKED	FIRST USED ON
ENGINEER	CODE IDENT 34984

TITLE
 LINE PRINTER CONTROLLER
 SERIES 4014/4034, 4014/4193
 4215.4216.4218.4219.4244.4245

DATA GENERAL CORPORATION			
WESTBORO, MASSACHUSETTS 01581			
SIZE	CODE	DRAWING NUMBER	REV.
C	OIO	000199	01

4

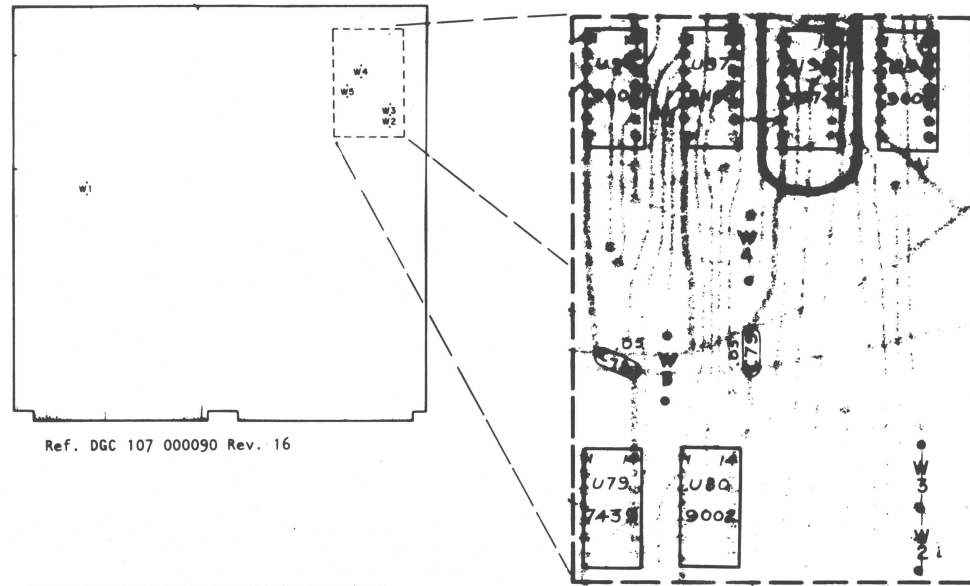
3

2

1

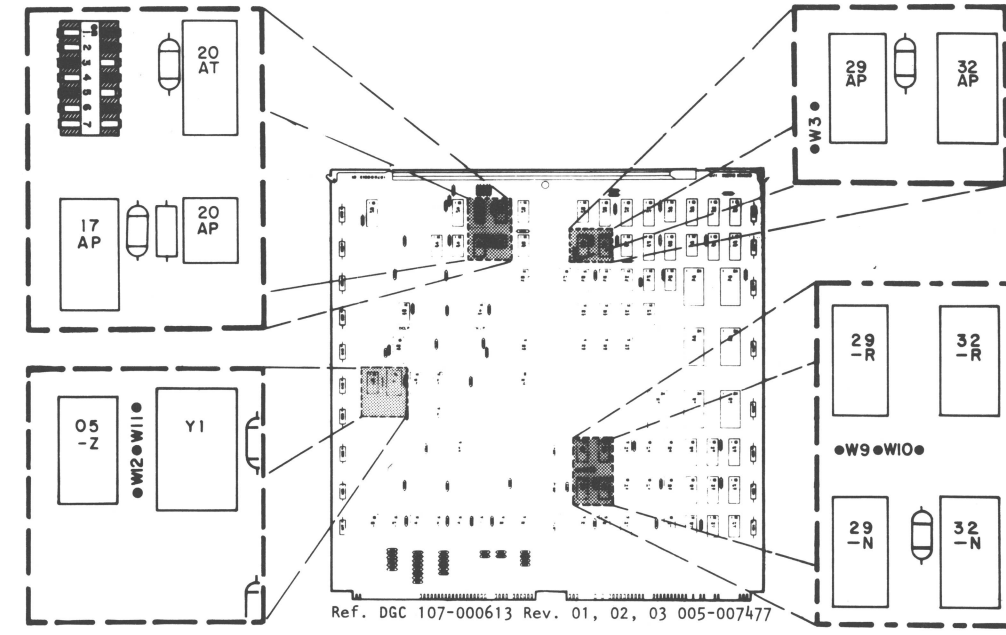
TAILORING

JUMPERING



Ref. DGC 107 000090 Rev. 16

CONTROLLERS		
JUMPER	005 000108 4014/4034	005 003801 4014/4193
W2	OUT	IN
W3	IN	OUT
W4	IN	IN
W5	IN	IN
W1	NOT USED	



Ref. DGC 107-000613 Rev. 01, 02, 03 005-007477

DG-03382

JUMPERS	FUNCTION
W3	ALWAYS IN Provides column counter resync for a paper feed or form feed
	W9 W10
	IN OUT Selects Positive Assertion for LPT STROBE signal
	OUT IN Selects Negative Assertion for LPT STROBE signal
W11*	ALWAYS OUT
W12*	ALWAYS IN

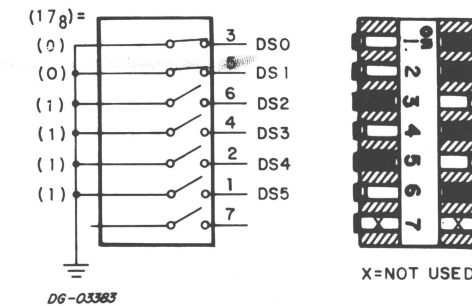
* DGC 107-000613 REV 03 ONLY

DEVICE CODE SWITCHES

The data channel line printer controller has individually settable device code switches which may be set to any of the 64 possible codes. Typically this device will use the code 17₈

The switches use negative assertion logic which means that when a switch is in the OFF position, a logic one will be asserted. The switches may be pushed into the desired positions with a stylus or pen tip.

The device code 17₈ would be selected as shown below:



013-000840
BRUNING 40-526 27928

THIS DRAWING AND SPECIFICATIONS, HEREIN, ARE THE PROPERTY OF DATA GENERAL CORPORATION AND SHALL NOT BE REPRODUCED OR COPIED OR USED IN WHOLE OR IN PART AS THE BASIS FOR MANUFACTURE OR SALE OF ITEMS WITHOUT WRITTEN PERMISSION

REV	ECO	APP	DATE	DRAWN	CHECKED	ENGINEER	APPROVED	FIRST USED ON	CODE IDENT
									34984

TITLE
LINE PRINTER CONTROLLER
SERIES 4014/4034, 4014/4193
4215, 4216, 4218, 4219, 4244, 4245

DATA GENERAL CORPORATION
WESTBORO, MASSACHUSETTS 01581
SIZE C CODE 010
DRAWING NUMBER 000199
REV 01