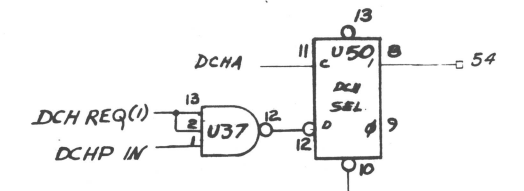
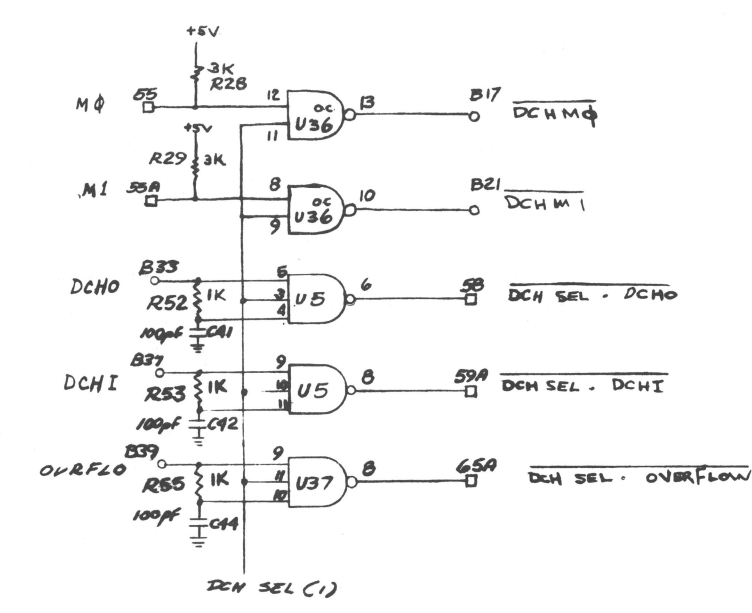
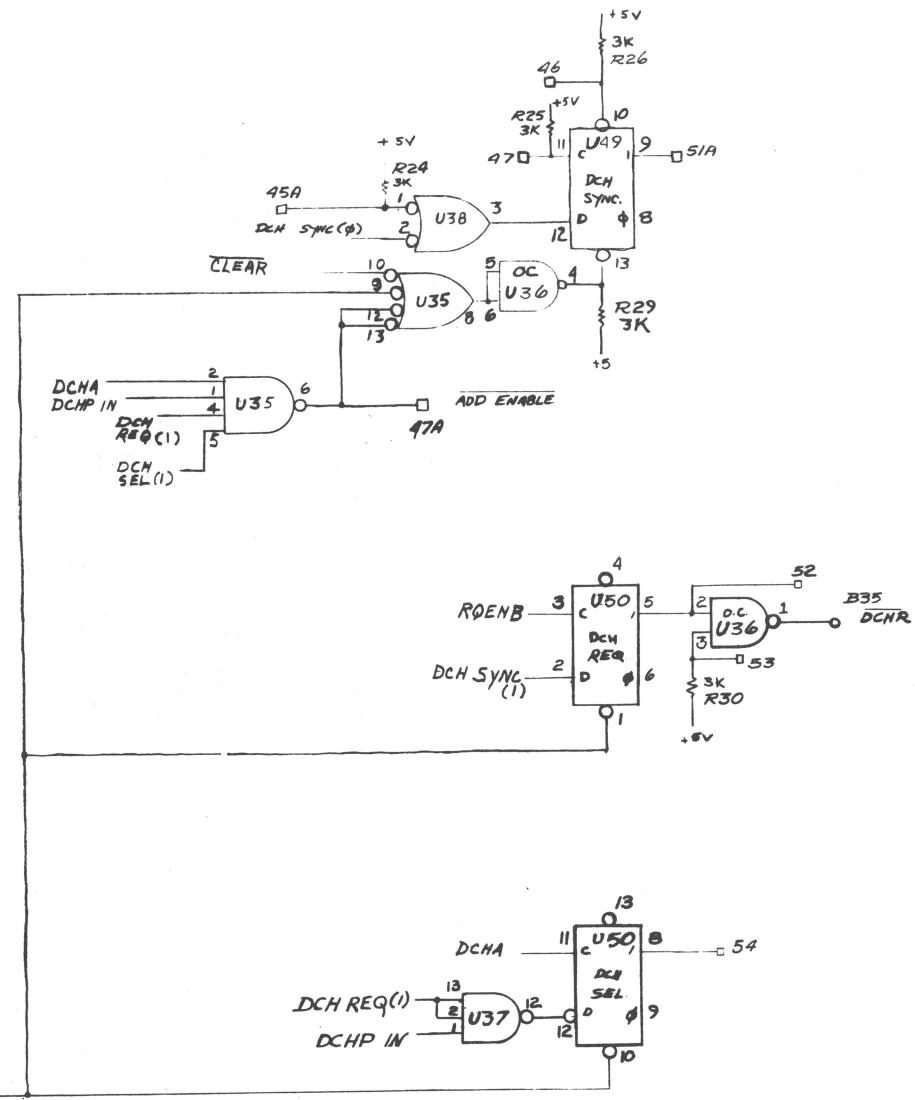
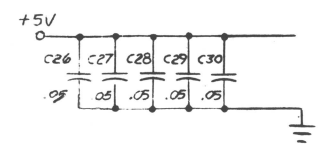


ALL DIMENSIONS AND SPECIFICATIONS HEREIN ARE THE PROPERTY OF DATA GENERAL CORPORATION AND SHALL NOT BE REPRODUCED OR TRANSMITTED IN ANY FORM OR BY ANY MEANS, ELECTRONIC OR MECHANICAL, INCLUDING PHOTOCOPYING, RECORDING, OR BY ANY INFORMATION STORAGE AND RETRIEVAL SYSTEM, WITHOUT THE WRITTEN PERMISSION OF DATA GENERAL CORPORATION.

REVISIONS				
REV	DESCRIPTION	DRFTG	APP BY	DATE
01	ADD FILTER TO DCH, DCHI, OVRFLW, DELETE LOGIC INVERTER, AND RENUMBER IC'S, C31 REMOVED	RJS		6/5/77
02	PER ECO # 107	JWZ		11/24/77



NOTE 1 □ DESIGNATES WIRE WRAP PIN
○ DESIGNATES EDGE CARD CONN.



I/O BOARD - DATA CHANNEL CONTROL

QTY	DESCRIPTION	PART NO.
	DRAWN	
	CHECKED	
	ENGINEER	
	APPROVED	
	FIRST USED ON	107 0000 54
	MATERIAL	
	FINISH	

DATA GENERAL CORPORATION			
TITLE			
I/O BOARD - DATA CHANNEL CONTROL			
SIZE	CODE	DRAWING NUMBER	REV
D	001	0000 53	02

