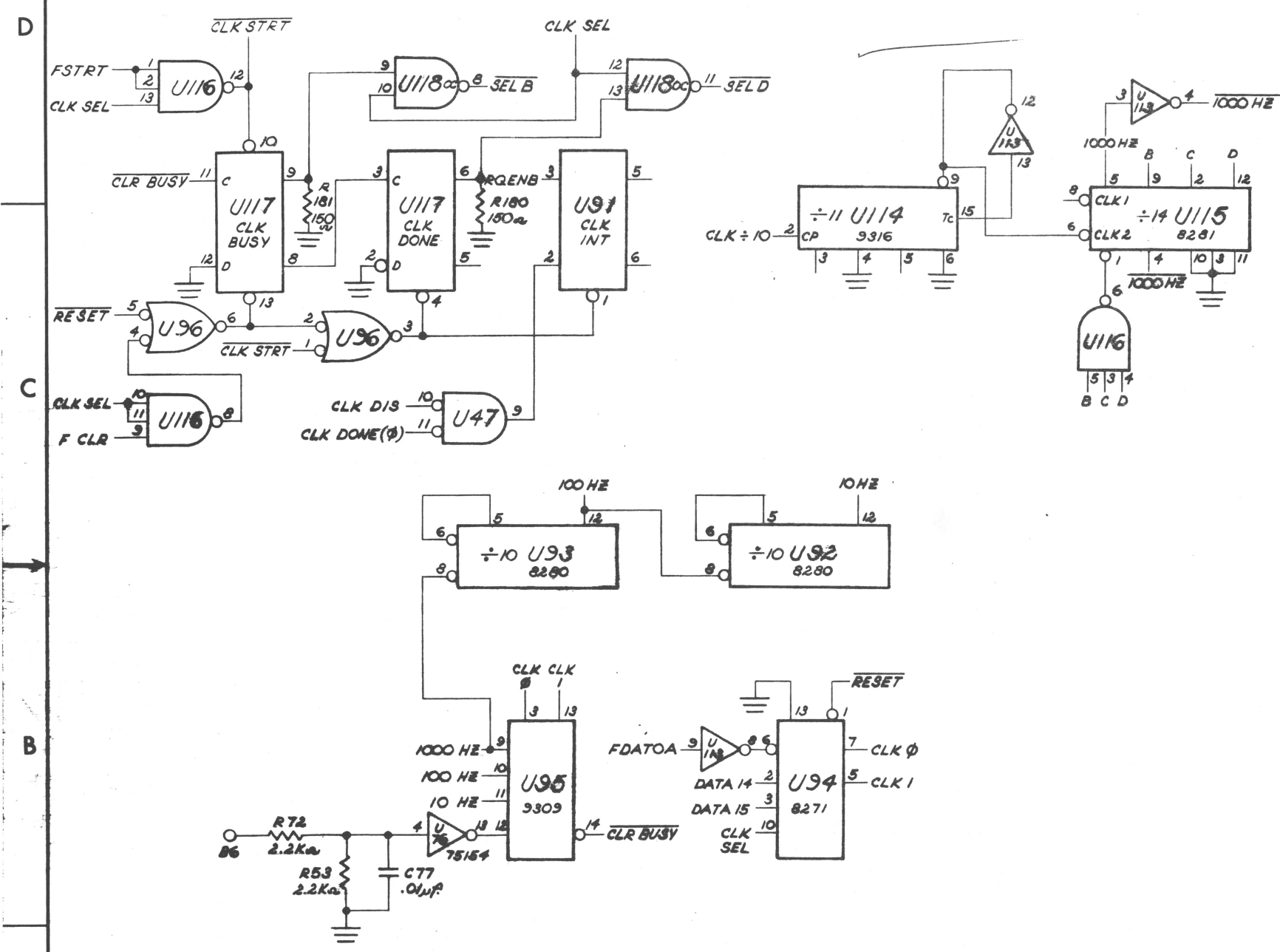


THIS DRAWING AND SPECIFICATIONS, HEREIN, ARE THE PROPERTY OF DATA GENERAL CORPORATION AND SHALL NOT BE REPRODUCED OR COPIED OR USED IN WHOLE OR IN PART AS THE BASIS FOR MANUFACTURE OR SALE OF ITEMS WITHOUT WRITTEN PERMISSION.

REVISIONS				
REV.	DESCRIPTION	DRFTG.	APP. BY	DATE
01	ECO# 1371	R.W.C.		
02	ECO# 1494	R.W.C.		
03	ECO# 1837	R.W.C.		
04	ECO# 2419	R.W.C.		



ARTWORK: 107 000 151		NHCC		QTY.	DESCRIPTION	PART NO.
ARTWORK VS SCHEMATIC		UNLESS OTHERWISE SPECIFIED—DIMENSIONS ARE IN INCHES TOLERANCES ON FRACTIONS DECIMALS ANGLES .XX ± .XXX ± PARTS TO BE FREE FROM BURRS BREAK ALL EDGES .010		DRAWN	R.W.C., Jr. 11-13/72	<b>DATA GENERAL CORPORATION</b> SOUTHBORO, MASSACHUSETTS 01772
REV	SCHEMATIC REV(S)	UNLESS OTHERWISE SPECIFIED—ALL MACH. SURFACES		CHECKED	R.W.C., Jr. 11-16/72	
1	0	MATERIAL		ENGINEER	J. Gilbert 11/72	TITLE
2	0	FINISH		APPROVED		<b>REAL TIME CLOCK OPTION</b> <b>(MODEL NO. 4079)</b>
5	1, 2			FIRST USED ON		SIZE
10	1, 2			SCALE		CODE
13	3					DRAWING NUMBER
16	4					REV.
						C 001 000333 04