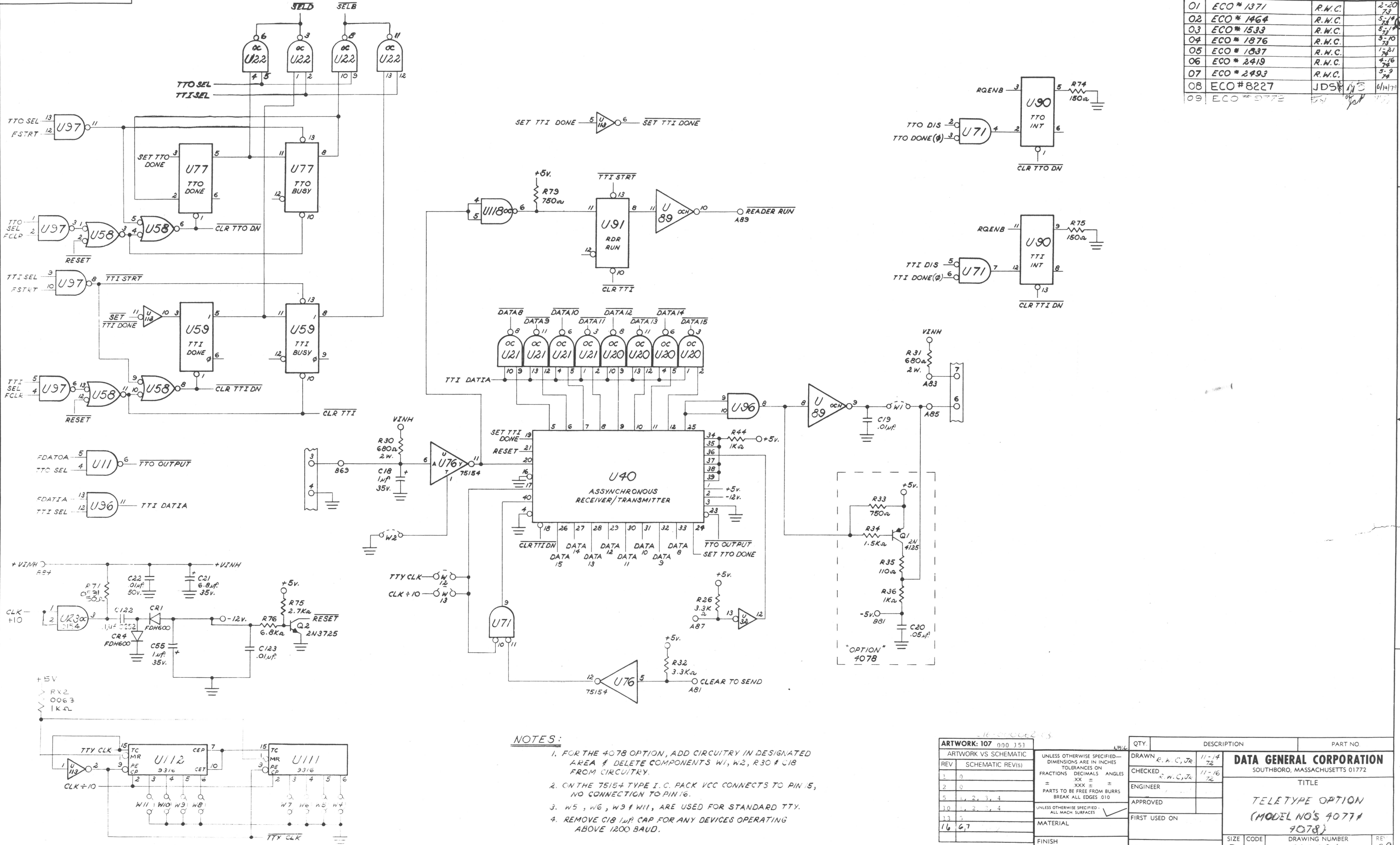


THIS DRAWING AND SPECIFICATIONS, HEREIN, ARE THE PROPERTY OF DATA GENERAL CORPORATION AND SHALL NOT BE REPRODUCED OR COPIED OR USED IN WHOLE OR IN PART AS THE BASIS FOR MANUFACTURE OR SALE OF ITEMS WITHOUT WRITTEN PERMISSION.

REVISIONS				
REV.	DESCRIPTION	DRFTG.	APP. BY	DATE
01	ECO # 1371	R.W.C.		2-20-73
02	ECO # 1464	R.W.C.		5-14-73
03	ECO # 1533	R.W.C.		5-21-73
04	ECO # 1876	R.W.C.		5-21-73
05	ECO # 1837	R.W.C.		1-21-74
06	ECO # 2419	R.W.C.		4-16-74
07	ECO # 2493	R.W.C.		5-9-74
08	ECO # 8227	JDS		6/14/77
09	ECO # 9772			



- NOTES:**
1. FOR THE 4078 OPTION, ADD CIRCUITRY IN DESIGNATED AREA & DELETE COMPONENTS W1, W2, R30 & C18 FROM CIRCUITRY.
  2. ON THE 75154 TYPE I. C. PACK VCC CONNECTS TO PIN 5, NO CONNECTION TO PIN 16.
  3. W5, W6, W9 & W11, ARE USED FOR STANDARD TTY.
  4. REMOVE C18 1μF CAP FOR ANY DEVICES OPERATING ABOVE 1200 BAUD.

ARTWORK: 107 000 351		QTY.		DESCRIPTION		PART NO.	
ARTWORK VS SCHEMATIC	UNL	DRAWN	R. A. C, JR	11-14	72	<b>DATA GENERAL CORPORATION</b>	
REV	SCHEMATIC REV(S)	CHECKED	R. W. C, JR	11-16	72	SOUTHBORO, MASSACHUSETTS 01772	
1	0	ENGINEER				TITLE	
2	0	APPROVED				TELETYPE OPTION	
5	1, 2, 3, 4	FIRST USED ON				(MODEL NO'S 4077 & 4078)	
10	1, 2, 3, 4	SCALE				SIZE	CODE
13	5					DRAWING NUMBER	REV
16	6, 7					000-334	09