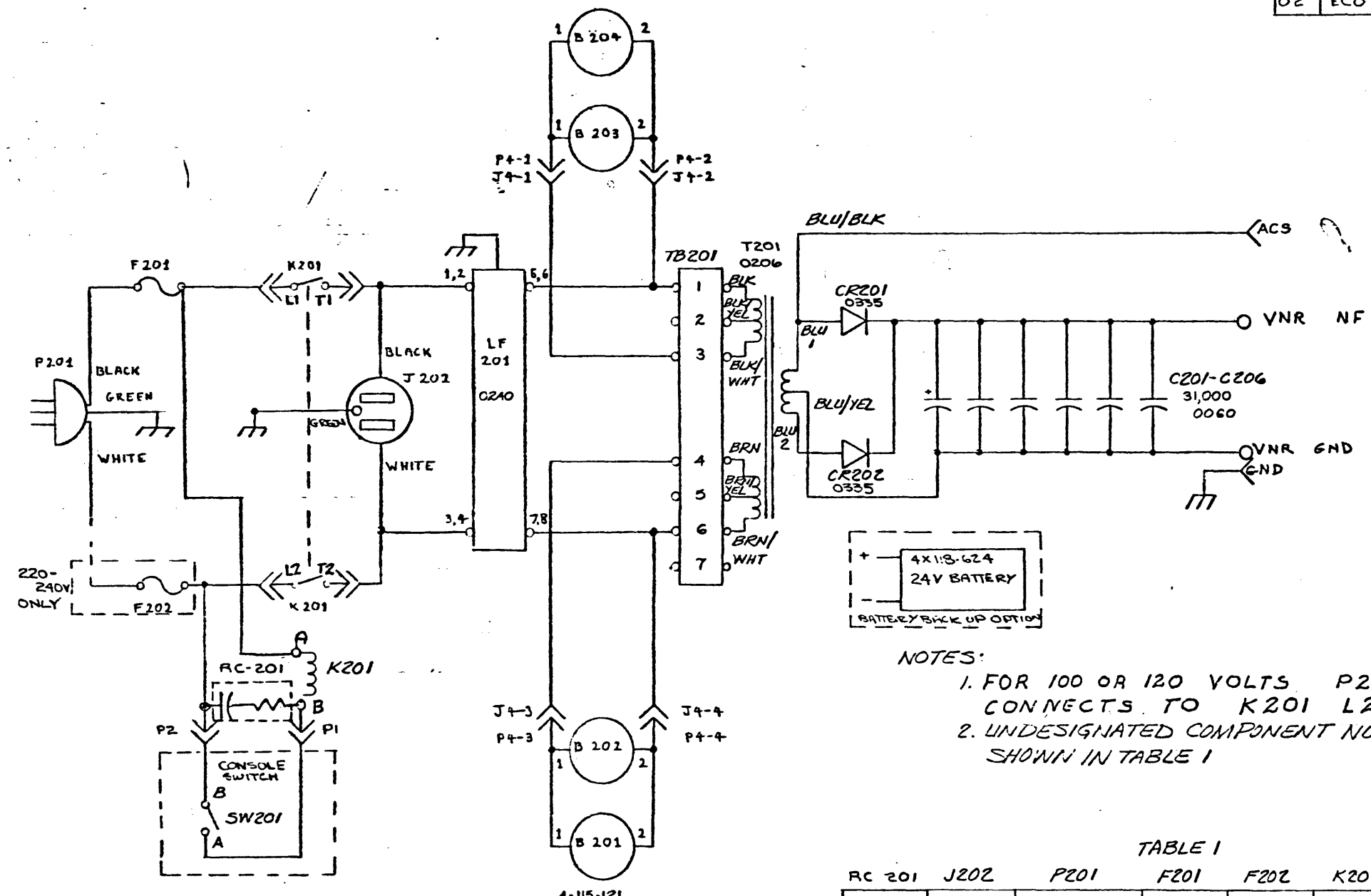


THIS DRAWING AND SPECIFICATIONS HEREIN ARE THE PROPERTY OF DATA GENERAL CORPORATION AND SHALL NOT BE REPRODUCED OR COPIED OR USED IN WHOLE OR IN PART AS THE BASIS FOR MANUFACTURE OR SALE OF ITEMS WITHOUT WRITTEN PERMISSION.

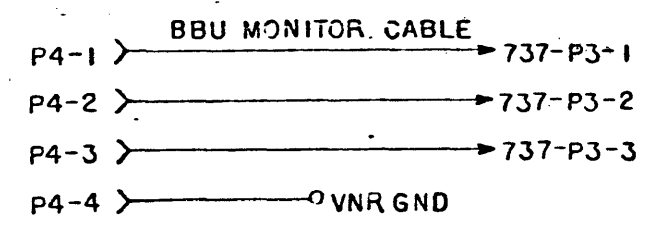
REVISIONS				
REV.	DESCRIPTION	DRFTG.	APP. BY	DATE
00	RELEASED ECO C918			
01	ECO C932	ABW/S	CD	8/29/77
02	ECO T637A	RKJ/ML	CD	9/15/78



NOTES:
 1. FOR 100 OR 120 VOLTS P201 WHITE CONNECTS TO K201 L2
 2. UNDESIGNATED COMPONENT NUMBERS ARE SHOWN IN TABLE 1

TABLE 1

RC 201	J202	P201	F201	F202	K201	P201	TB201
SNUMBER	OUTLET	LINE CORD	FUSE	FUSE	RELAY	AC INPUT	JUMPERS
103-388	0026	0114	0155	—	0325	100 VAC	1-5, 2-6
	0026	0114	0155	—	0325	120 VAC	1-4, 3-6
103-438	0548	0189	0140	0140	0326	220 VAC	2-4
	0548	0189	0140	0140	0326	240 VAC	3-4



BACK OF MACHINE 107-737

QTY	DESCRIPTION	PART NO
	UNLESS OTHERWISE SPECIFIED USE D.G.C. SPECIFICATION 108-000028 FOR TOLERANCES AND WORKMANSHIP REQUIREMENTS	
	DRAWN G. DOERRZ 3/22/76	
	CHECKED	
	ENGINEER	
	APPROVED <i>[Signature]</i> 4/19/77	
	FIRST USED ON 00500 8590	
	SCALE	
	DATA GENERAL CORPORATION SOUTHBORO, MASSACHUSETTS 01772	
	TITLE S130 VNR	
SIZE C	CODE 001	DRAWING NUMBER 001074
		REV 02

BRU, INC 40-526 20411