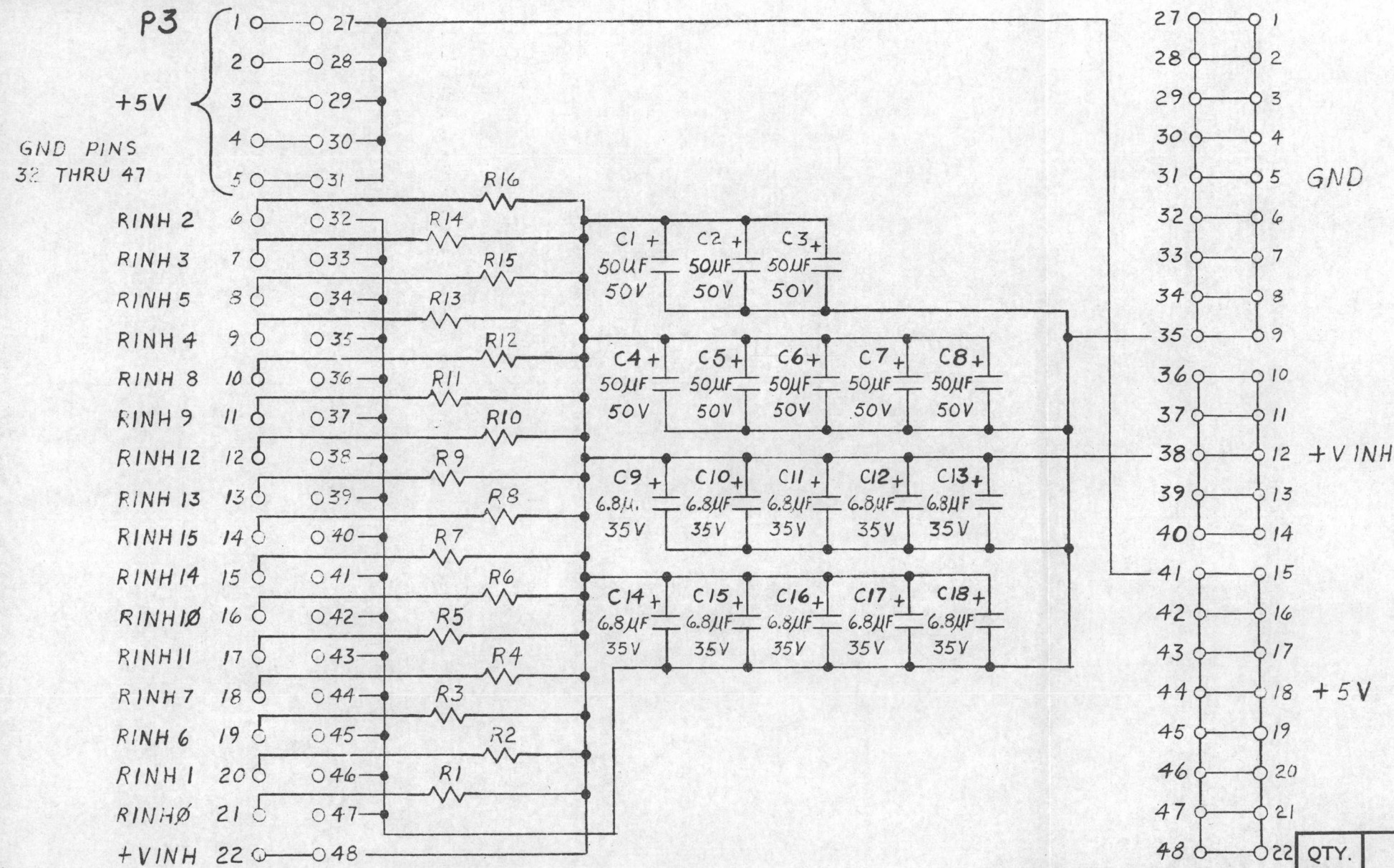


THIS DRAWING AND SPECIFICATIONS, HEREIN, ARE THE PROPERTY OF DATA GENERAL CORPORATION AND SHALL NOT BE REPRODUCED OR COPIED OR USED IN WHOLE OR IN PART AS THE BASIS FOR MANUFACTURE OR SALE OF ITEMS WITHOUT WRITTEN PERMISSION.

REVISIONS

REV.	DESCRIPTION	DRFTG.	APP. BY	DATE
01	ECO# 212	RNK		11-9-71
02	ECO# 368	RNK		11-9-71
03	ECO# 407	WJG		8-6-71
04	REV PER ECO# 725	RHS		12/13/71
05	REV PER ECO# 768	RHS		1/5/72
06	REV PER ECO# 784	MDB		1/72
07	ECO# 1197	R.W.C.		12/4/72



NOTES:

1. ALL RESISTORS ARE 8Ω, 4W, 3% UNLESS OTHERWISE SPECIFIED

UNLESS OTHERWISE SPECIFIED— DIMENSIONS ARE IN INCHES TOLERANCES ON FRACTIONS DECIMALS ANGLES ± .XX ± ± ± .XXX ± ± PARTS TO BE FREE FROM BURRS BREAK ALL EDGES .010	DRAWN <i>R. Kimball</i> 10-8-70	DATA GENERAL CORPORATION SOUTHBORO, MASSACHUSETTS 01772	
UNLESS OTHERWISE SPECIFIED— ALL MACH. SURFACES	CHECKED	TITLE RESISTOR BOARD	
MATERIAL	ENGINEER	SIZE B	CODE 001
FINISH	APPROVED	DRAWING NUMBER 000087	REV. 07
	FIRST USED ON 107-000081	SHEET / OF /	
	SCALE	1 SHEET / OF /	

QTY.	DESCRIPTION	PART NO.

4

3

2

1

4

3

2

1