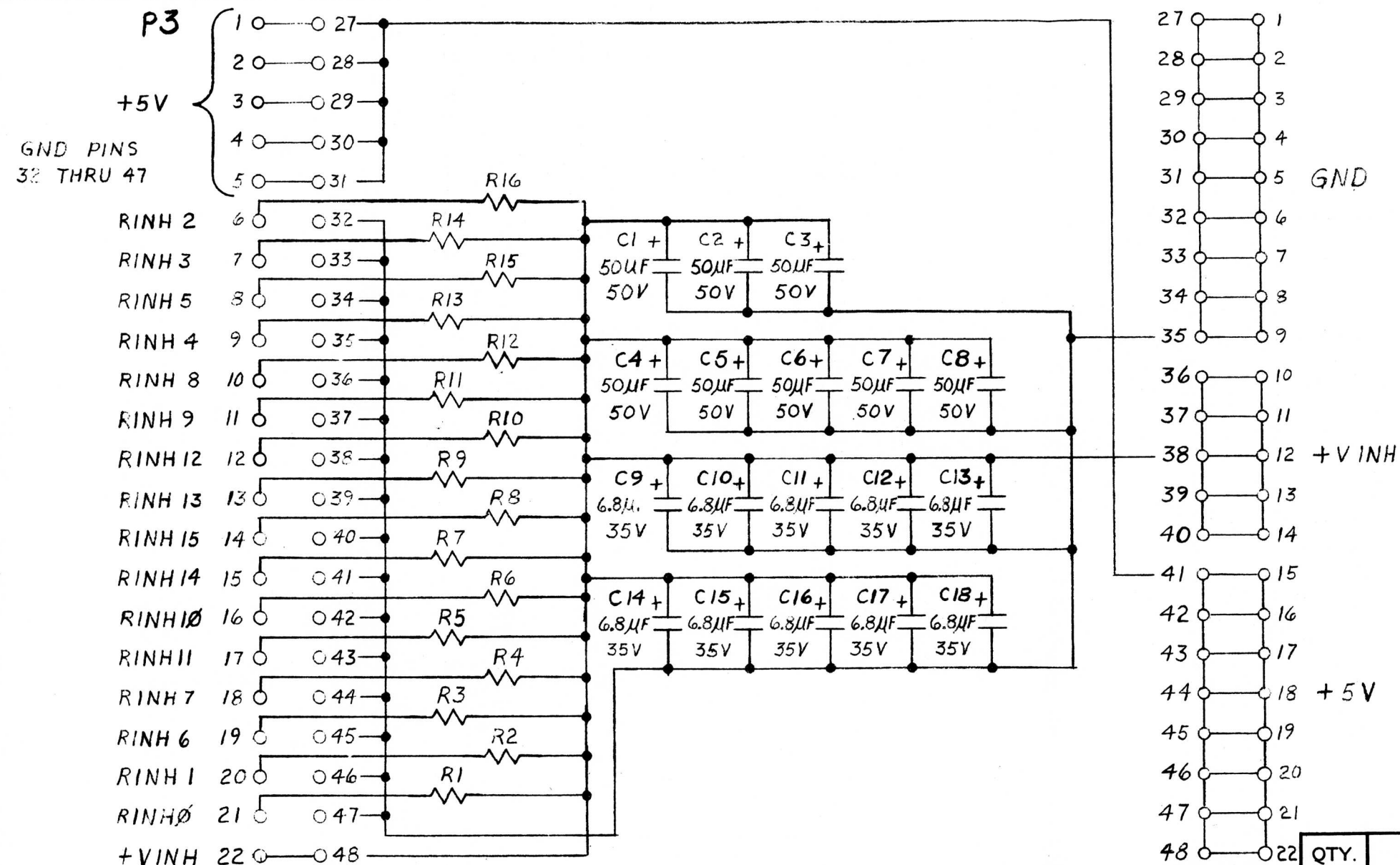


THIS DRAWING AND SPECIFICATIONS, HEREIN, ARE THE PROPERTY OF DATA GENERAL CORPORATION AND SHALL NOT BE REPRODUCED OR COPIED OR USED IN WHOLE OR IN PART AS THE BASIS FOR MANUFACTURE OR SALE OF ITEMS WITHOUT WRITTEN PERMISSION.

REVISIONS				
REV.	DESCRIPTION	DRFTG.	APP. BY	DATE
01	ECO# 212	RNK		11-9-71
02	ECO# 368	RNK		11-9-71
03	ECO# 407	WJG		8-6-71
04	REV PER ECO# 725	RHS		12/13/71
05	REV PER ECO# 768	RHS		1/5/72
06	REV PER ECO# 784	MDE		1/17/72
07	ECO# 1197	R.W.C.		12/4/72



PF	23	023	PFWR FAIL
MEM OK	24	024	MEM OK
60 Ω	25	025	60 Ω
6ND	26	026	6ND
-15V	049	049	-15V
+5 OK	050	050	+5 OK
-5V	051	051	-5V
LIGHT	052	052	LIGHT

NOTES:
 1. ALL RESISTORS ARE 8Ω, 4W, 3% UNLESS OTHERWISE SPECIFIED

UNLESS OTHERWISE SPECIFIED—
 DIMENSIONS ARE IN INCHES
 TOLERANCES ON
 FRACTIONS DECIMALS ANGLES
 ± .XX ± ±
 ± .XXX ± ±
 PARTS TO BE FREE FROM BURRS
 BREAK ALL EDGES .010

UNLESS OTHERWISE SPECIFIED—
 ALL MACH. SURFACES ✓

MATERIAL

FINISH

QTY.	DESCRIPTION	PART NO.
	DRAWN <i>R. Kimball</i>	10-8-70
	CHECKED	
	ENGINEER	
	APPROVED	
	FIRST USED ON	
	107-000081	
	SCALE	

DATA GENERAL CORPORATION SOUTHBORO, MASSACHUSETTS 01772			
TITLE RESISTOR BOARD			
SIZE	CODE	DRAWING NUMBER	REV.
B	001	000087	07