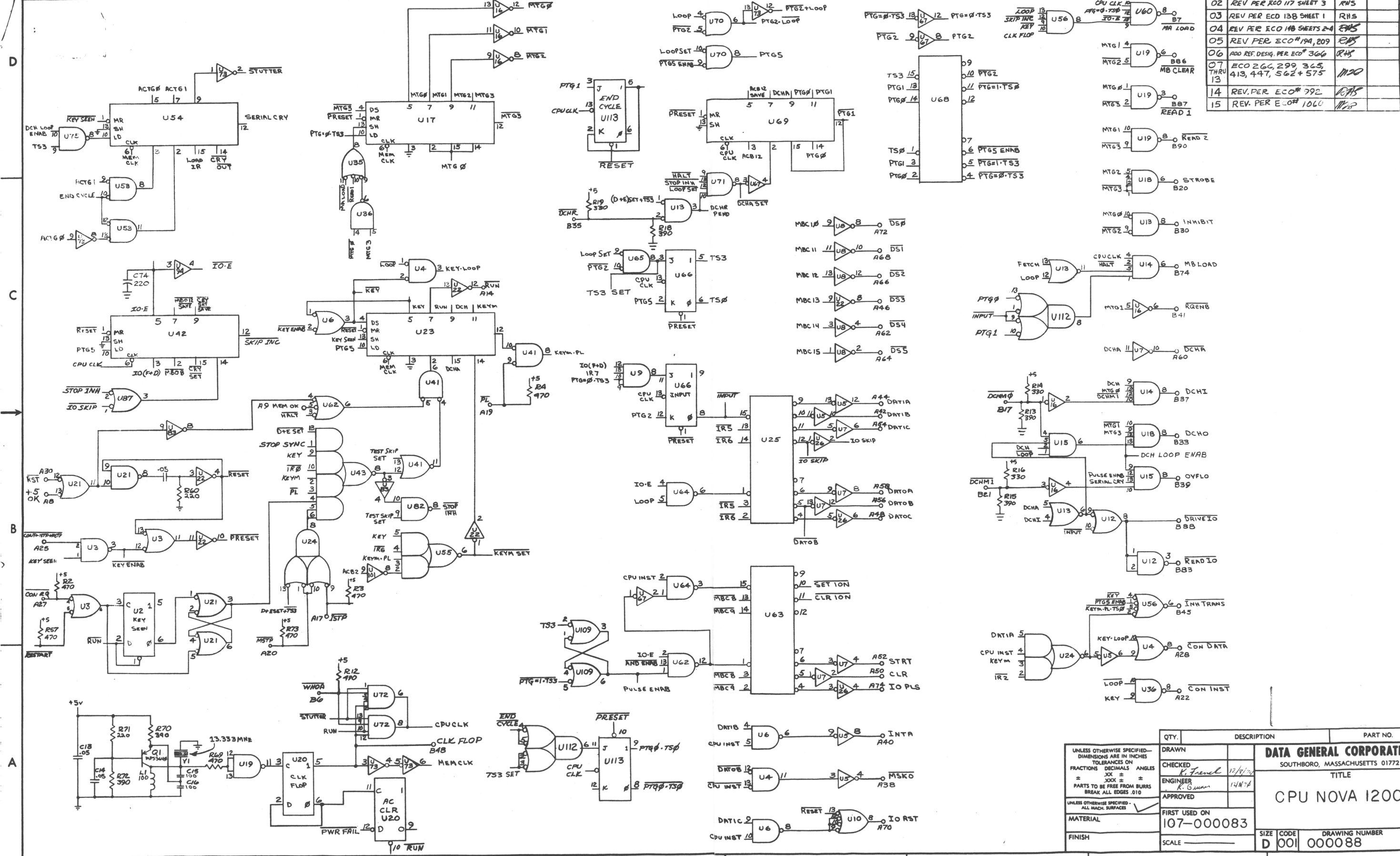


THIS DRAWING AND SPECIFICATIONS HEREIN ARE THE PROPERTY OF DATA GENERAL CORPORATION AND SHALL NOT BE REPRODUCED OR COPIED OR USED IN WHOLE OR IN PART AS THE BASIS FOR MANUFACTURE OR SALE OF ITEMS WITHOUT WRITTEN PERMISSION.

REVISIONS				
REV.	DESCRIPTION	DRFTG.	APP. BY	DATE
01	REVISED PER MND PRINT	RHS		11/17/74
02	REV PER ECO 117 SHEET 3	RHS		11/17/74
03	REV PER ECO 138 SHEET 1	RHS		12/27/74
04	REV PER ECO 148 SHEETS 2-4	RHS		1/17/75
05	REV PER ECO #194, 209	RHS		2/19/75
06	ADD REF. DESIG. PER ECO # 366	RHS		4/15/75
07	ECO 266, 299, 365, 413, 447, 562 + 575	MDO		10/14/75
13	REV. PER ECO # 792	RHS		4/23/76
14	REV. PER ECO # 1060	MDO		7/21/76

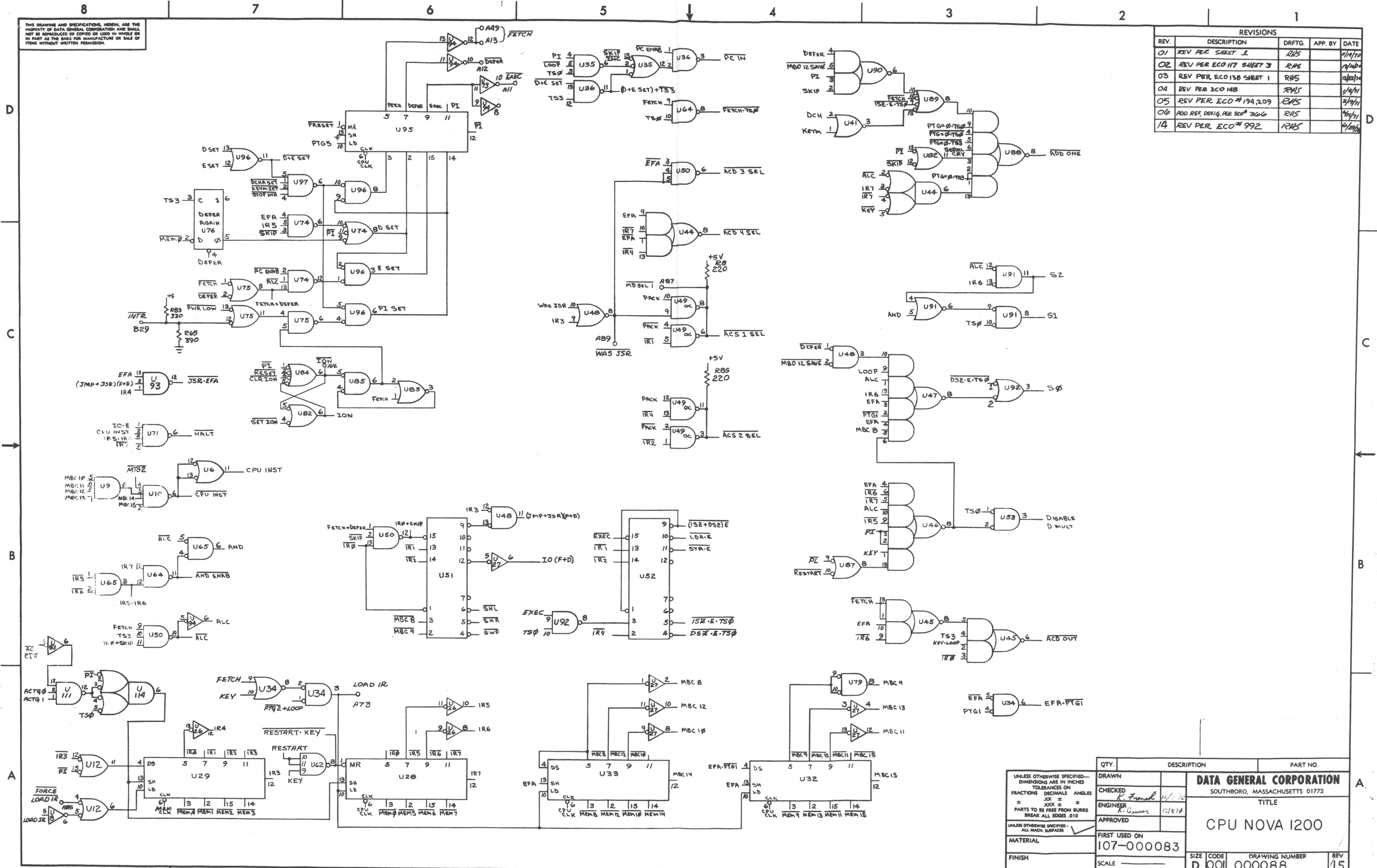


QTY.	DESCRIPTION	PART NO.
	DRAWN	
	CHECKED	
	ENGINEER	
	APPROVED	
	FIRST USED ON	
	SCALE	

DATA GENERAL CORPORATION SOUTHBORO, MASSACHUSETTS 01772			
TITLE			
CPU NOVA 1200			
SIZE	CODE	DRAWING NUMBER	REV.
D	001	000088	15

THIS DRAWING AND SPECIFICATIONS, HEREIN, ARE THE PROPERTY OF DATA GENERAL CORPORATION AND SHALL NOT BE REPRODUCED OR COPIED OR USED IN WHOLE OR IN PART AS THE BASIS FOR MANUFACTURE OR SALE OF ITEMS WITHOUT WRITTEN PERMISSION.

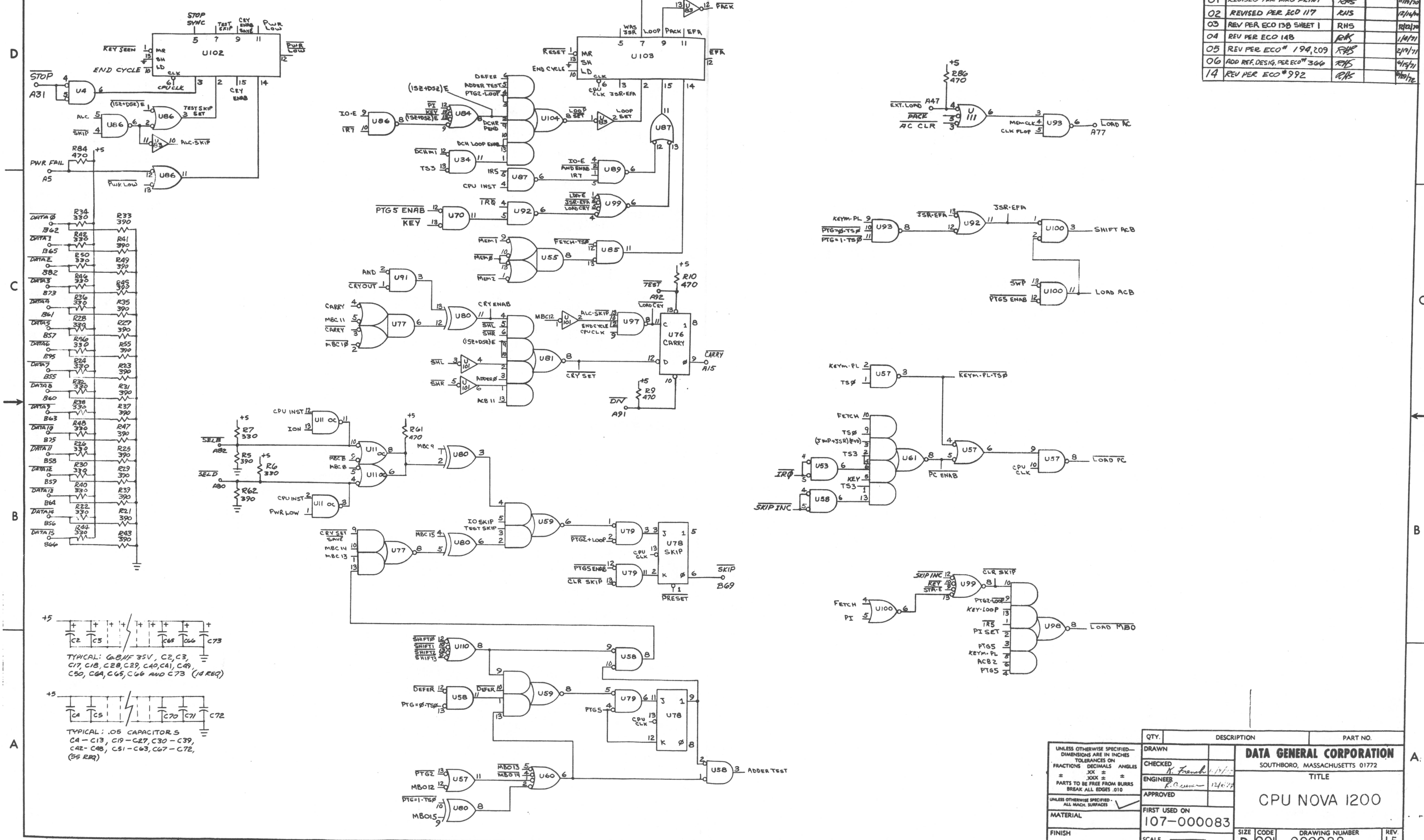
REVISIONS				
REV.	DESCRIPTION	DRFTG.	APP. BY	DATE
01	REV PER SHEET 1	RHS		1/19/70
02	REV PER ECO #17 SHEET 3	RHS		1/21/70
03	REV PER ECO #13B SHEET 1	RHS		1/22/70
04	REV PER ECO #14B	RHS		1/29/70
05	REV PER ECO #19A, 2, 09	RHS		2/9/71
06	ADD REF. DESIG. PER ECO #366	RHS		1/29/71
14	REV PER ECO #992	RHS		6/29/78



QTY.	DESCRIPTION	PART NO.										
1	UNLESS OTHERWISE SPECIFIED—DIMENSIONS ARE IN INCHES TOLERANCES ON FRACTIONS DECIMALS ANGLES											
1	UNLESS OTHERWISE SPECIFIED—PARTS TO BE FREE FROM BURRS BREAK ALL EDGES .010											
1	UNLESS OTHERWISE SPECIFIED—MATERIAL											
1	UNLESS OTHERWISE SPECIFIED—FINISH											
<table border="1"> <tr> <td colspan="2">DRAWN</td> <td rowspan="3"> DATA GENERAL CORPORATION SOUTHBORO, MASSACHUSETTS 01772 TITLE CPU NOVA 1200 </td> </tr> <tr> <td>CHECKED</td> <td></td> </tr> <tr> <td>ENGINEER</td> <td></td> </tr> <tr> <td colspan="2">APPROVED</td> <td> FIRST USED ON 107-000083 SIZE CODE D 001 DRAWING NUMBER 000088 REV 15 </td> </tr> </table>			DRAWN		DATA GENERAL CORPORATION SOUTHBORO, MASSACHUSETTS 01772 TITLE CPU NOVA 1200	CHECKED		ENGINEER		APPROVED		FIRST USED ON 107-000083 SIZE CODE D 001 DRAWING NUMBER 000088 REV 15
DRAWN		DATA GENERAL CORPORATION SOUTHBORO, MASSACHUSETTS 01772 TITLE CPU NOVA 1200										
CHECKED												
ENGINEER												
APPROVED		FIRST USED ON 107-000083 SIZE CODE D 001 DRAWING NUMBER 000088 REV 15										

THIS DRAWING AND SPECIFICATIONS, HEREIN, ARE THE PROPERTY OF DATA GENERAL CORPORATION AND SHALL NOT BE REPRODUCED OR COPIED OR USED IN WHOLE OR IN PART AS THE BASIS FOR MANUFACTURE OR SALE OF ITEMS WITHOUT WRITTEN PERMISSION.

REVISIONS				
REV.	DESCRIPTION	DRTG	APP. BY	DATE
01	REVISED PER MKD PRINT	RHS		11/17/70
02	REVISED PER ECO 117	RHS		12/14/70
03	REV PER ECO 138 SHEET 1	RHS		12/21/70
04	REV PER ECO 148	RHS		1/14/71
05	REV PER ECO # 194,209	RHS		2/19/71
06	ADD REF. DESIG. PER ECO # 360	RHS		4/15/71
14	REV PER ECO # 992	RHS		1/15/72



TYPICAL: C2, C3, C7, C8, C28, C29, C40, C41, C49, C50, C64, C65, C66 AND C73 (14 REQ)

TYPICAL: .05 CAPACITORS
C4 - C13, C19 - C27, C30 - C39, C42 - C48, C51 - C63, C67 - C72, (55 REQ)

QTY.		DESCRIPTION		PART NO.	
DRAWN					
CHECKED					
ENGINEER					
APPROVED					
FIRST USED ON					
107-000083					
MATERIAL					
FINISH					
SCALE		SIZE		DRAWING NUMBER	
D		001		000088	
REV.		DATE		REV.	
15				15	

UNLESS OTHERWISE SPECIFIED—DIMENSIONS ARE IN INCHES TOLERANCES ON FRACTIONS DECIMALS ANGLES
X.XX ± .XX ± .XX
PARTS TO BE FREE FROM BURRS BREAK ALL EDGES .010

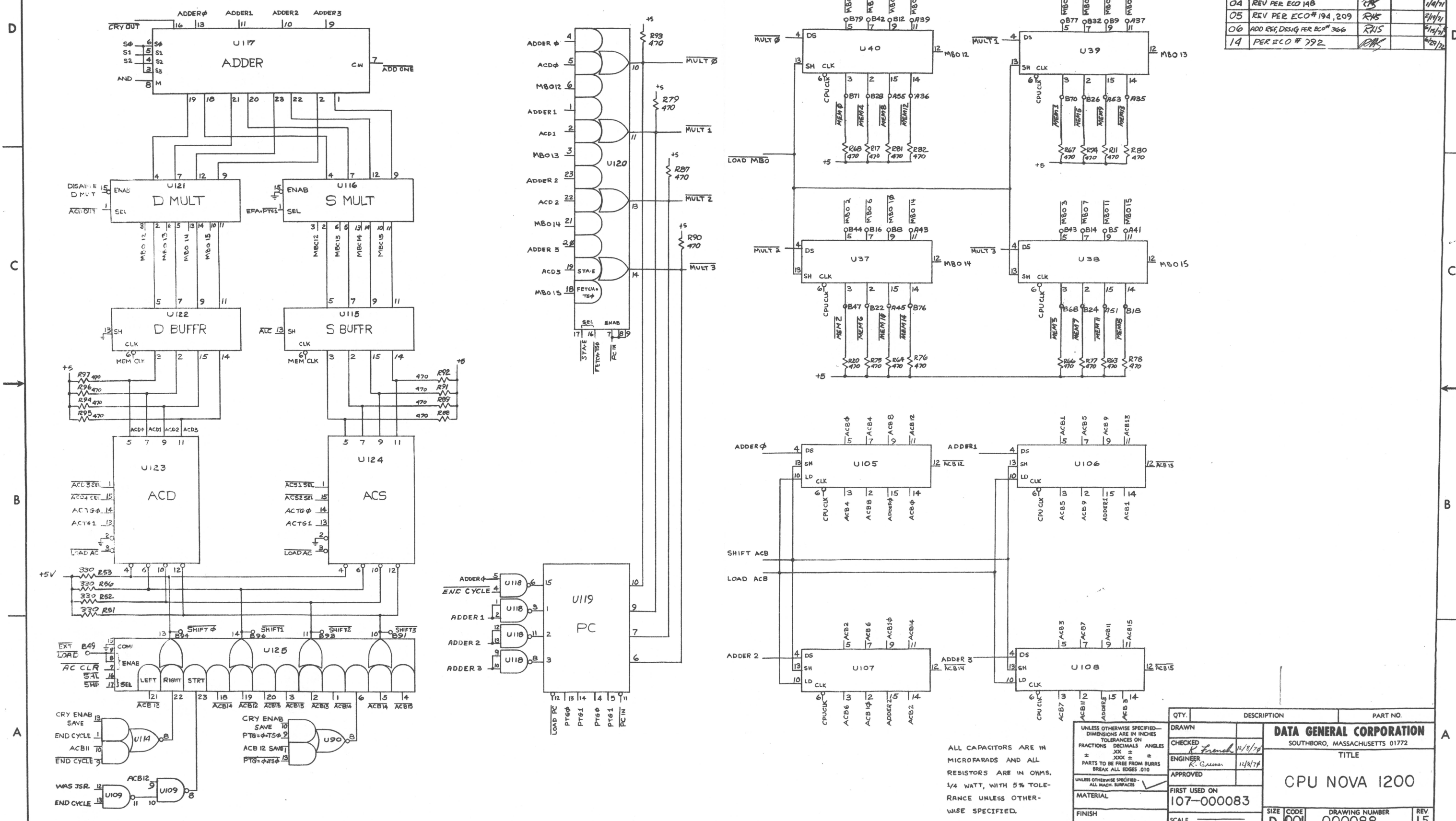
UNLESS OTHERWISE SPECIFIED—ALL MACH. SURFACES

DATA GENERAL CORPORATION
SOUTHBORO, MASSACHUSETTS 01772

TITLE
CPU NOVA 1200

THIS DRAWING AND SPECIFICATIONS HEREIN ARE THE PROPERTY OF DATA GENERAL CORPORATION AND SHALL NOT BE REPRODUCED OR COPIED OR USED IN WHOLE OR IN PART AS THE BASIS FOR MANUFACTURE OR SALE OF ITEMS WITHOUT WRITTEN PERMISSION.

REVISIONS				
REV.	DESCRIPTION	DRFTG.	APP. BY	DATE
01	REVISED PER MKD PRINT	RHS		11/17/70
02	REV PER ECO #17 SHEET 3	RHS		1/28/71
03	REV PER ECO #38 SHEET 1	RHS		12/22/70
04	REV PER ECO #148	RHS		11/17/71
05	REV PER ECO #194, 209	RHS		2/11/71
06	ADD REF. DESIG PER ECO #366	RHS		6/15/71
14	PER ECO #792	RHS		6/29/72



ALL CAPACITORS ARE IN MICROFARADS AND ALL RESISTORS ARE IN OHMS. 1/4 WATT, WITH 5% TOLERANCE UNLESS OTHERWISE SPECIFIED.

QTY.	DESCRIPTION	PART NO.
	UNLESS OTHERWISE SPECIFIED - DIMENSIONS ARE IN INCHES	
	TOLERANCES ON FRACTIONS DECIMALS ANGLES	
	XX = ± .XX	
	XXX = ± .XXX	
	PARTS TO BE FREE FROM BURRS	
	BREAK ALL EDGES .010	
	UNLESS OTHERWISE SPECIFIED - ALL MACH SURFACES	
	MATERIAL	
	FINISH	
	FIRST USED ON	
	107-000083	
	SCALE	
	SIZE	
	CODE	
	D 001	
	DRAWING NUMBER	
	000088	
	REV.	
	15	

DATA GENERAL CORPORATION
SOUTHBORO, MASSACHUSETTS 01772
TITLE
CPU NOVA 1200