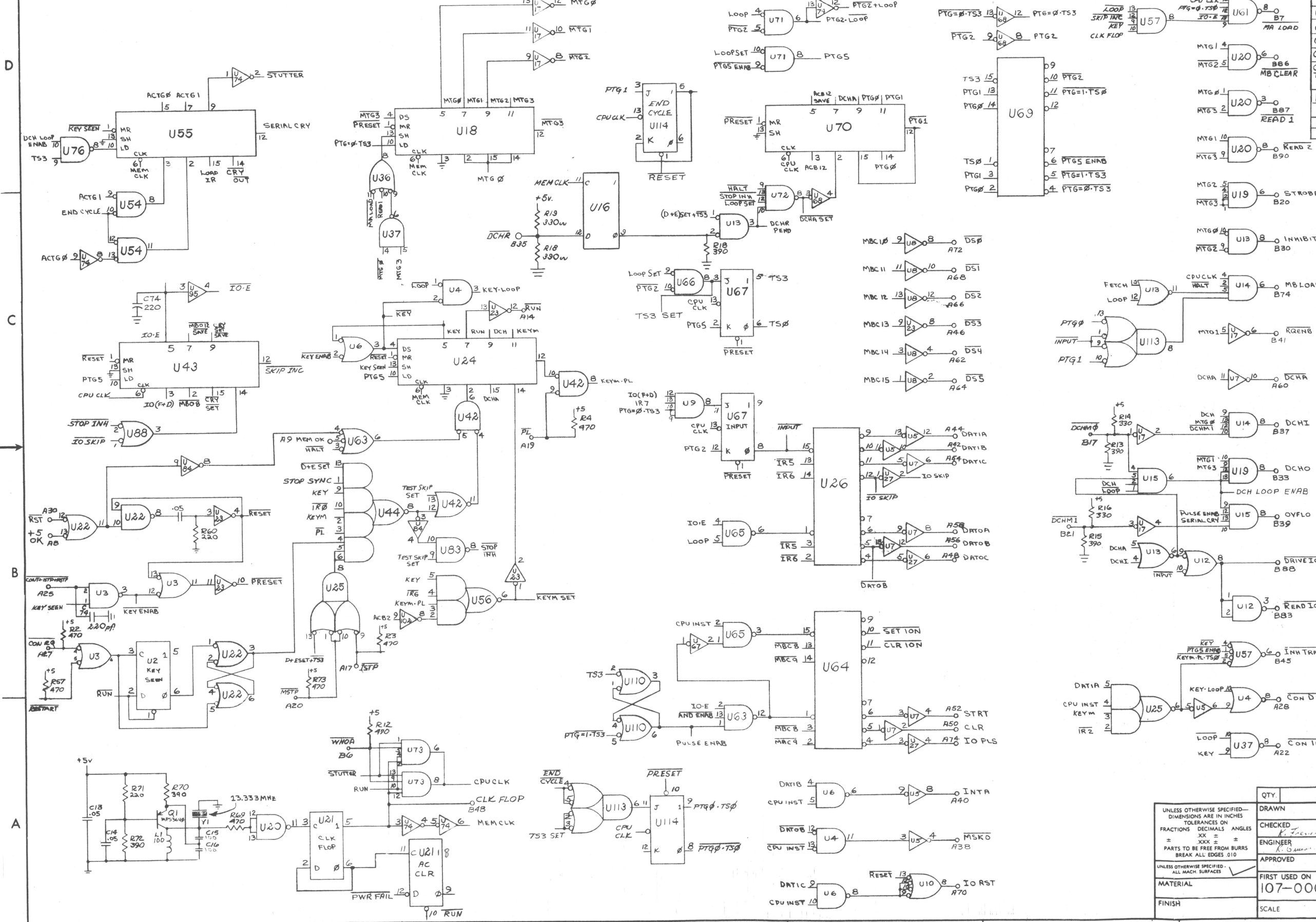


THIS DRAWING AND SPECIFICATIONS, HEREIN, ARE THE PROPERTY OF DATA GENERAL CORPORATION AND SHALL NOT BE REPRODUCED OR COPIED OR USED IN WHOLE OR IN PART AS THE BASIS FOR MANUFACTURE OR SALE OF ITEMS WITHOUT WRITTEN PERMISSION.

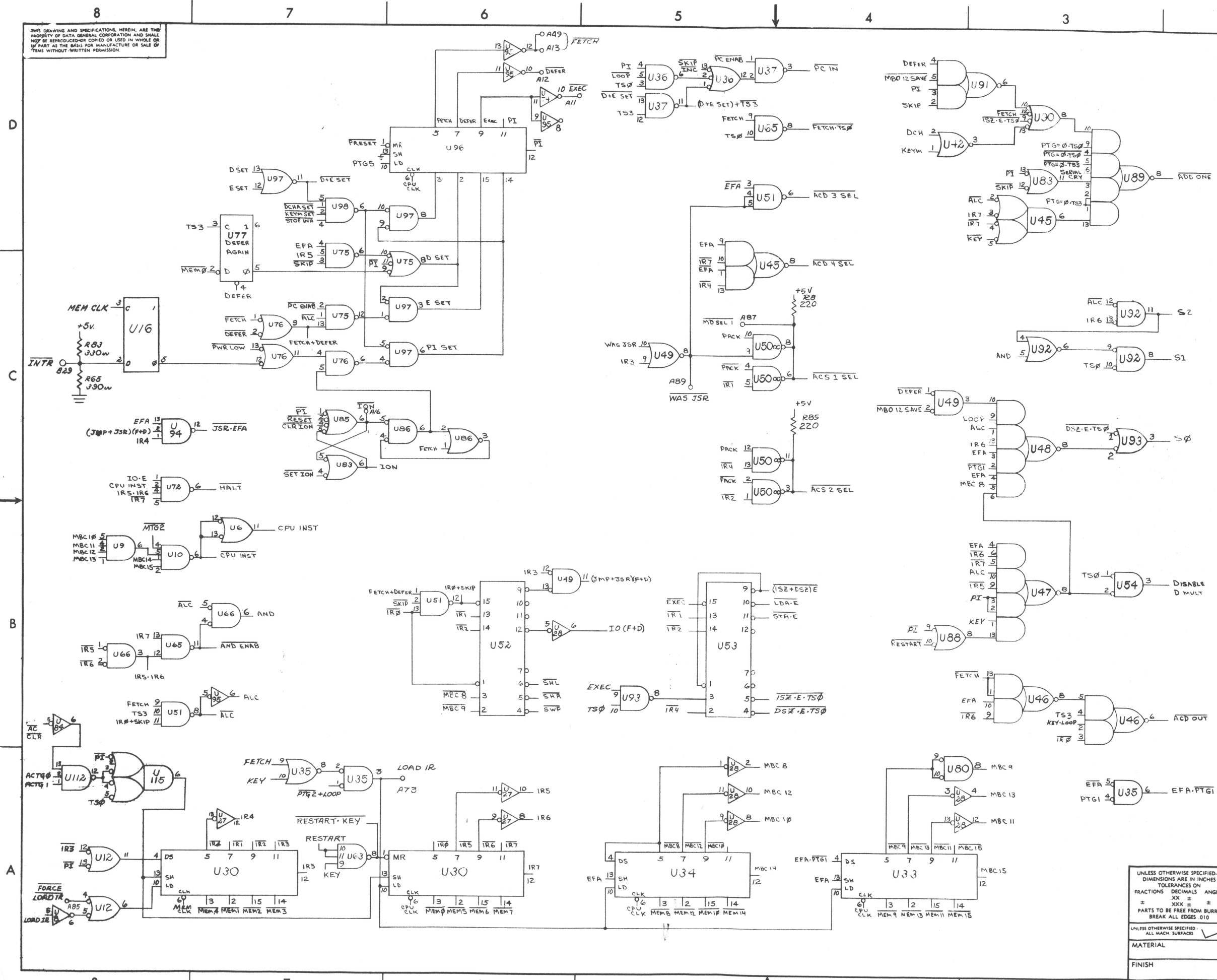
REVISIONS				
REV.	DESCRIPTION	DRFTG	APP BY	DATE
01	REVISED PER MND PRINT	RHS		11/19/70
02	REV PER ECO 117 SHEET 3	RHS		12/16/70
03	REV PER ECO 138 SHEET 1	RHS		12/21/70
04	REV PER ECO 148 SHEETS 2-4	RHS		1/19/71
05	REV PER ECO # 194, 209	RHS		2/19/71
06	ADD REF. DESIG. PER ECO # 366	RHS		4/15/71
07	ECO 266, 299, 365, 413, 447, 562 + 575	RHS		10/14/71
13	REV. PER ECO # 992	RHS		4/23/72
15	REV. PER ECO # 1060	RHS		7/6/72
16	ECO # 1388	R.W.C.		12-12-72
17	ECO # 2129	R.W.C.		12-12-72



QTY.	DESCRIPTION	PART NO.
	DATA GENERAL CORPORATION	
	SOUTHBORO, MASSACHUSETTS 01772	
	TITLE	
	CPU NOVA 1200	
	FIRST USED ON	
	107-000083	
	SCALE	
	Drawing Number	000088
	REV	17

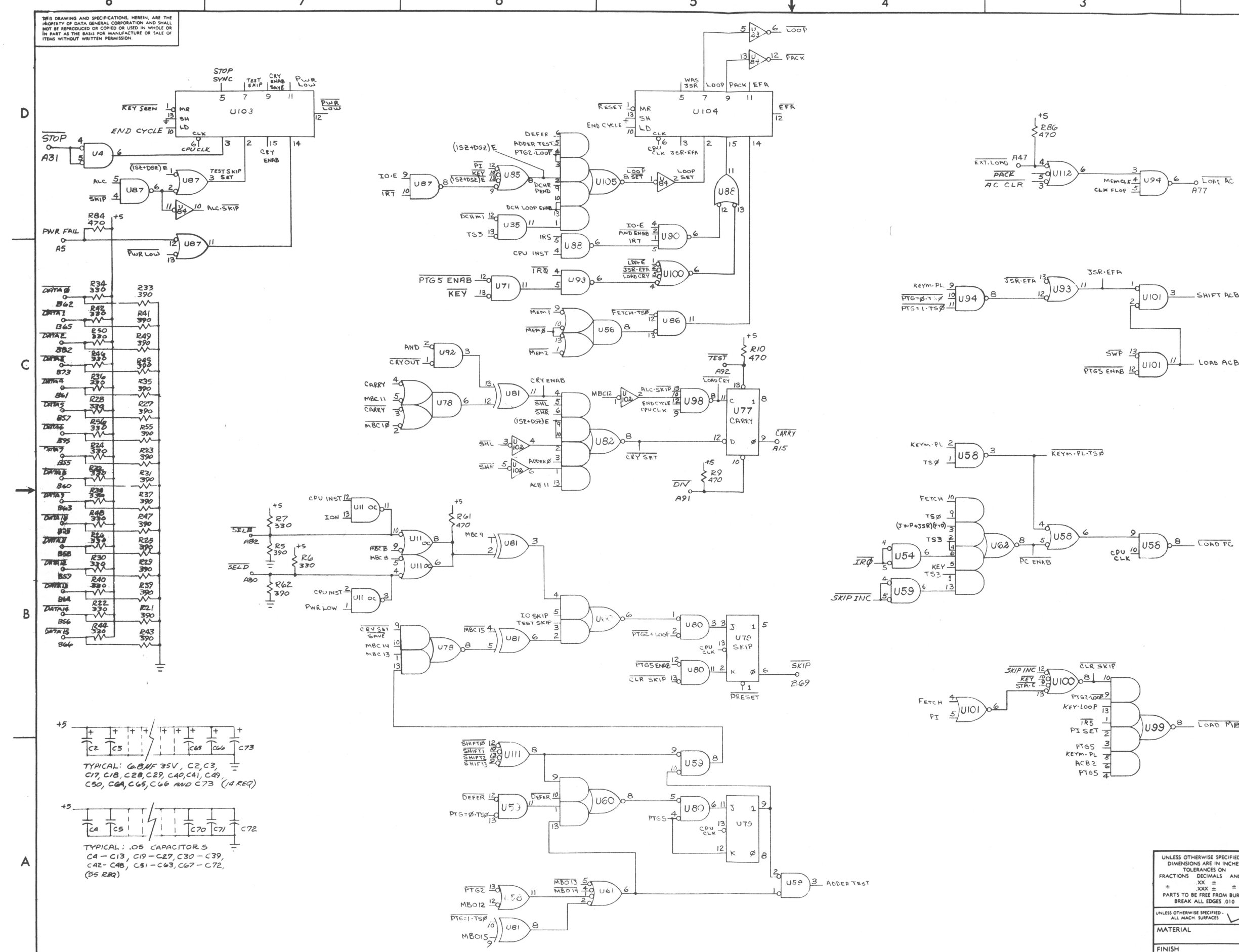
THIS DRAWING AND SPECIFICATIONS HEREIN, ARE THE PROPERTY OF DATA GENERAL CORPORATION AND SHALL NOT BE REPRODUCED OR COPIED OR USED IN WHOLE OR IN PART AS THE BASIS FOR MANUFACTURE OR SALE OF ITEMS WITHOUT WRITTEN PERMISSION.

REVISIONS				
REV	DESCRIPTION	DRFTG	APP BY	DATE
01	REV PER SHEET 1	RHS		11/19/70
02	REV PER ECO #17 SHEET 3	RHS		12/10/70
03	REV PER ECO #13B SHEET 1	RHS		1/28/71
04	REV PER ECO #14B	RHS		1/14/71
05	REV PER ECO #19A, 209	RHS		7/19/71
06	ADD REF. DESIG. PER ECO # 306	RHS		4/1/71
14	REV PER ECO # 992	RHS		6/10/71



QTY.	DESCRIPTION	PART NO.
DATA GENERAL CORPORATION		
SOUTHBORO, MASSACHUSETTS 01772		
TITLE		
CPU NOVA 1200		
FIRST USED ON		
107-000083		
SIZE	CODE	DRAWING NUMBER
D	001	000088
SCALE		REV
		17

REV	DESCRIPTION	DRFTG	APP BY	DATE
01	REVISED PER MKC PRINT	RHS		11/19/70
02	REVISED PER ECO 117	RHS		12/14/70
03	REV PER ECO 138 SHEET 1	RHS		12/21/70
04	REV PER ECO 148	RHS		1/14/71
05	REV PER ECO # 194,209	RHS		2/19/71
06	ADD REF. DESIG. PER ECO # 366	RHS		4/15/71
14	REV PER ECO # 992	RHS		6/10/72



QTY.	DESCRIPTION	PART NO.
	DRAWN	
	CHECKED	12/8/70
	ENGINEER	12/11/70
	APPROVED	
	FIRST USED ON	107-000083
	MATERIAL	
	FINISH	

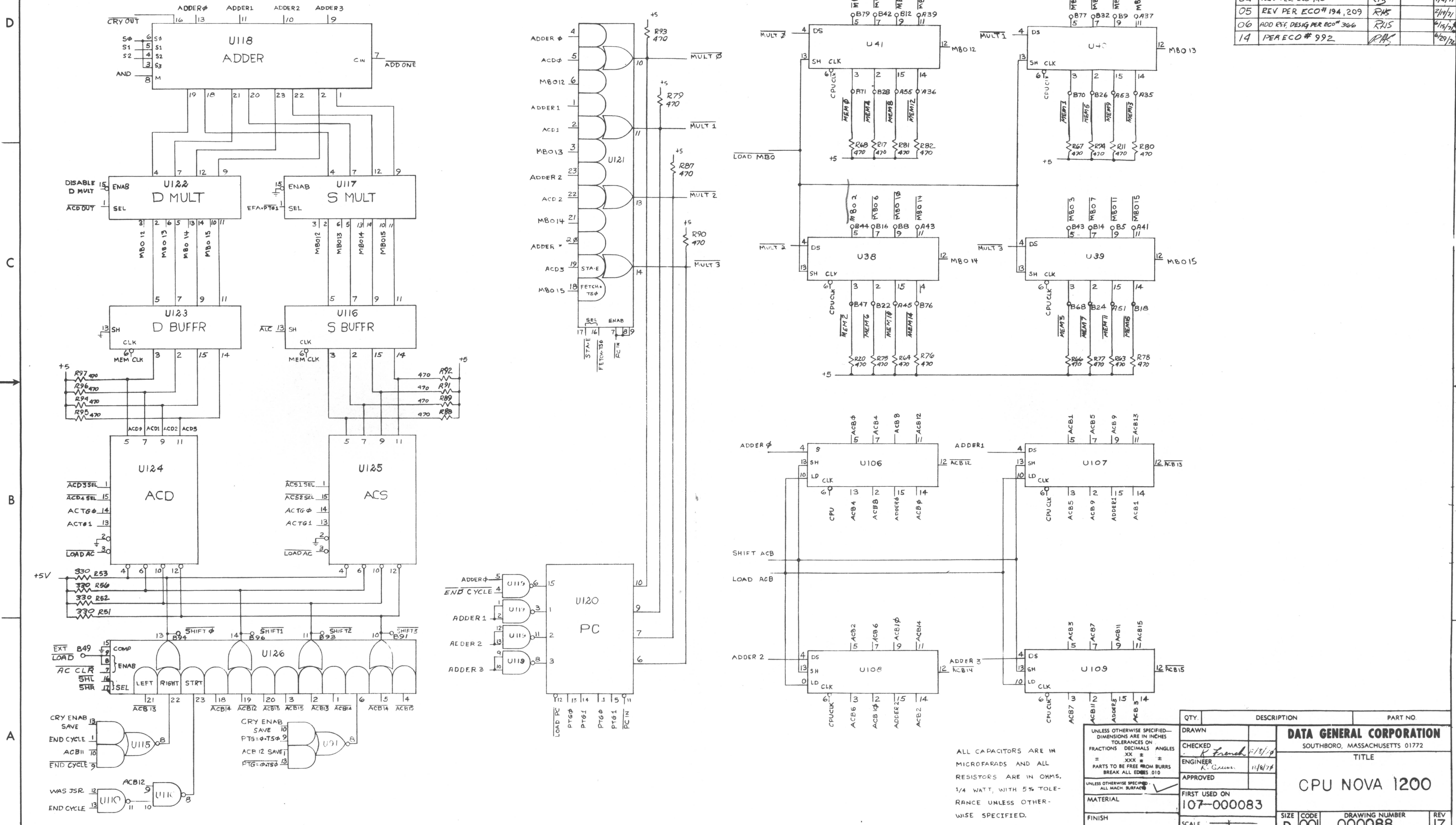
UNLESS OTHERWISE SPECIFIED—
DIMENSIONS ARE IN INCHES
TOLERANCES ON
FRACTIONS DECIMALS ANGLES
XXX ± .010
PARTS TO BE FREE FROM BURRS
BREAK ALL EDGES .010

UNLESS OTHERWISE SPECIFIED—
ALL MACH SURFACES

DATA GENERAL CORPORATION			
SOUTHBORO, MASSACHUSETTS 01772			
TITLE			
CPU NOVA 1200			
SIZE	CODE	DRAWING NUMBER	REV
D	001	000088	17

THIS DRAWING AND SPECIFICATIONS HEREIN ARE THE PROPERTY OF DATA GENERAL CORPORATION AND SHALL NOT BE REPRODUCED OR COPIED OR USED IN WHOLE OR IN PART AS THE BASIS FOR MANUFACTURE OR SALE OF ITEMS WITHOUT WRITTEN PERMISSION.

REVISIONS				
REV	DESCRIPTION	DRFTG	APP BY	DATE
01	REVISED PER MID POINT	RMS		11/19/70
02	REV PER ECO 117 SHEET 3	RMS		12/1/70
03	REV PER ECO 138 SHEET 1	RMS		12/24/70
04	REV PER ECO 148	RMS		1/11/71
05	REV PER ECO# 194, 209	RMS		2/19/71
06	ADD EXE. DESIGN PER ECO# 366	RMS		6/15/71
14	PER ECO# 992	RMS		6/29/72



ALL CAPACITORS ARE IN MICROFARADS AND ALL RESISTORS ARE IN OHMS. 1/4 WATT, WITH 5% TOLERANCE UNLESS OTHERWISE SPECIFIED.

UNLESS OTHERWISE SPECIFIED—TOLERANCES ARE IN INCHES
 FRACTIONS DECIMALS ANGLES
 XX ±
 PARTS TO BE FREE FROM BURRS
 BREAK ALL EDGES 0.01
 UNLESS OTHERWISE SPECIFIED—
 ALL MACH SURFACES

QTY.	DESCRIPTION	PART NO.
	DRAWN	
	CHECKED	
	ENGINEER	
	APPROVED	
	FIRST USED ON	
	MATERIAL	
	FINISH	

DATA GENERAL CORPORATION		SOUTHBORO, MASSACHUSETTS 01772	
TITLE			
CPU NOVA 1200			
SIZE	CODE	DRAWING NUMBER	REV
D	001	000088	17