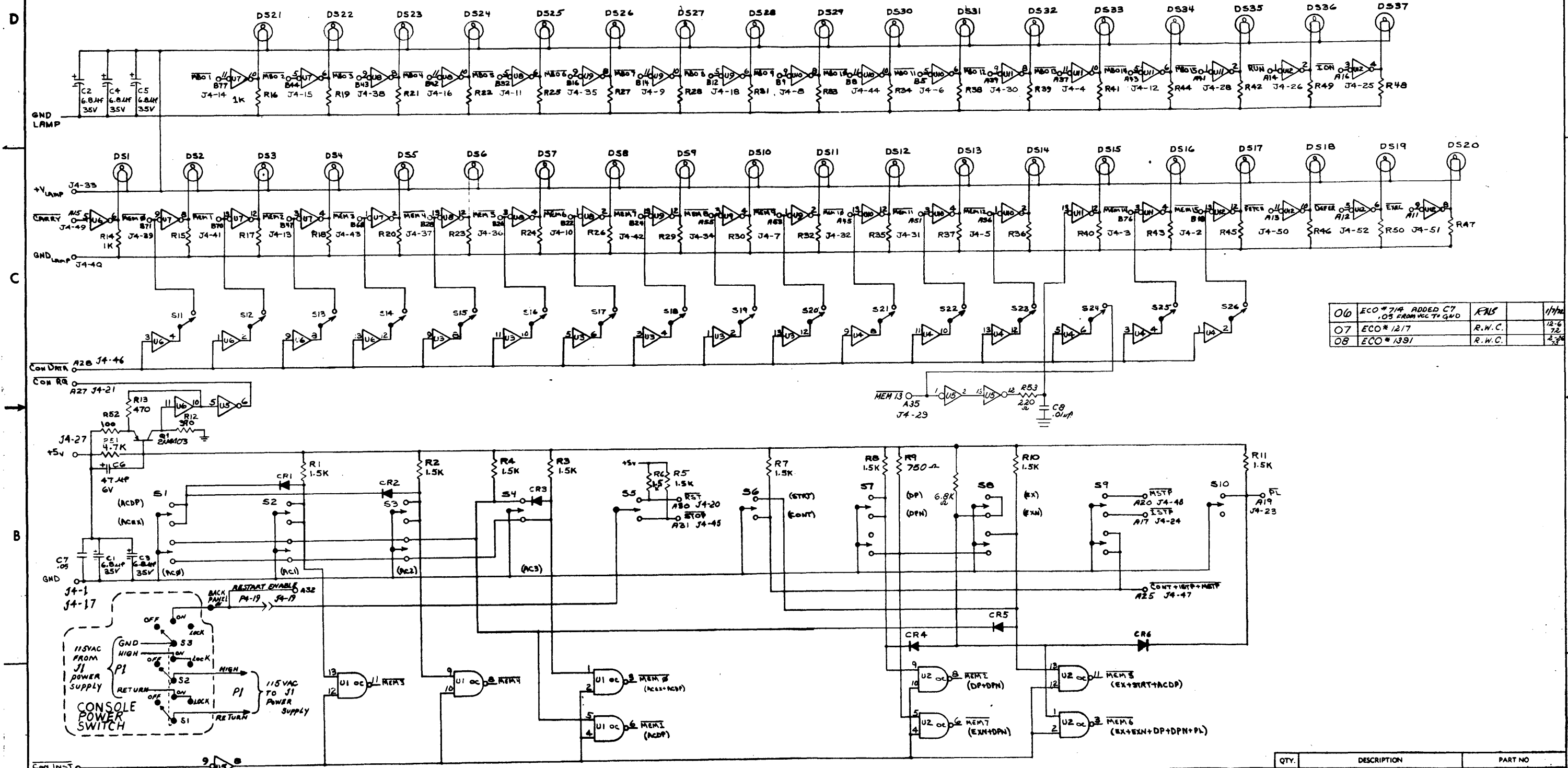


THIS DRAWING AND SPECIFICATIONS HEREIN ARE THE PROPERTY OF DATA GENERAL CORPORATION AND SHALL NOT BE REPRODUCED OR COPIED OR USED IN WHOLE OR IN PART AS THE BASIS FOR MANUFACTURE OR SALE OF ITEMS WITHOUT WRITTEN PERMISSION.

REVISIONS			
REV	DESCRIPTION	DRFTG	APP BY DATE
02	ECO # 118	RJS	12-10-71
03	ECO # 261	RJS	5-14-71
04	Q1 TO 24403 / ECO # 250	RJS	1/20/71
05	ECO # 407	W.J.C.	8/5/71

SEE BELOW



06	ECO # 714 ADDED C7 .05 FROM VCC TO GND	RJS	1/7/72
07	ECO # 1217	R.W.C.	12-6-72
08	ECO # 1391	R.W.C.	2-3-72

QTY.	DESCRIPTION	PART NO.
	UNLESS OTHERWISE SPECIFIED—DIMENSIONS ARE IN INCHES TOLERANCES ON FRACTIONS DECIMALS ANGLES	
	300K ±	
	* PARTS TO BE FREE FROM BURRS BREAK ALL EDGES .010	
	UNLESS OTHERWISE SPECIFIED—ALL MACH SURFACES	
	MATERIAL	
	FINISH	
	DRAWN BY: <i>L. G...</i> 10-8-70	
	CHECKED BY: <i>H. F...</i> 12/15/70	
	ENGINEER: <i>R. C...</i> 12/17/70	
	APPROVED: <i>R. C...</i>	
	FIRST USED ON 077	
	107-000/33	
	SCALE	
	DATA GENERAL CORPORATION	
	SOUTH BORDO, MASSACHUSETTS 01772	
	TITLE	
	NOVA 800/1200	
	CONSOLE	
	SIZE CODE	D 001
	DRAWING NUMBER	000089
	REV	08