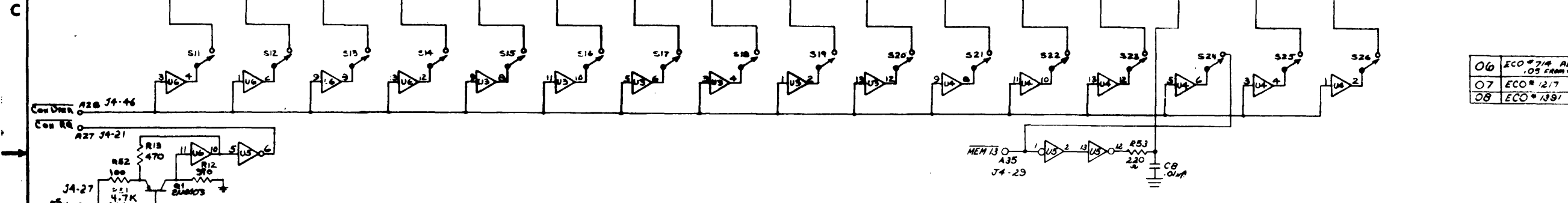
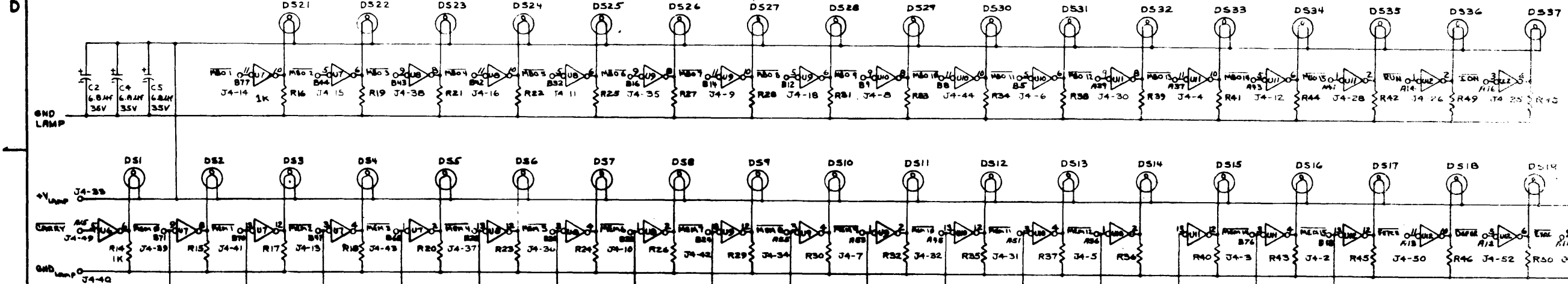
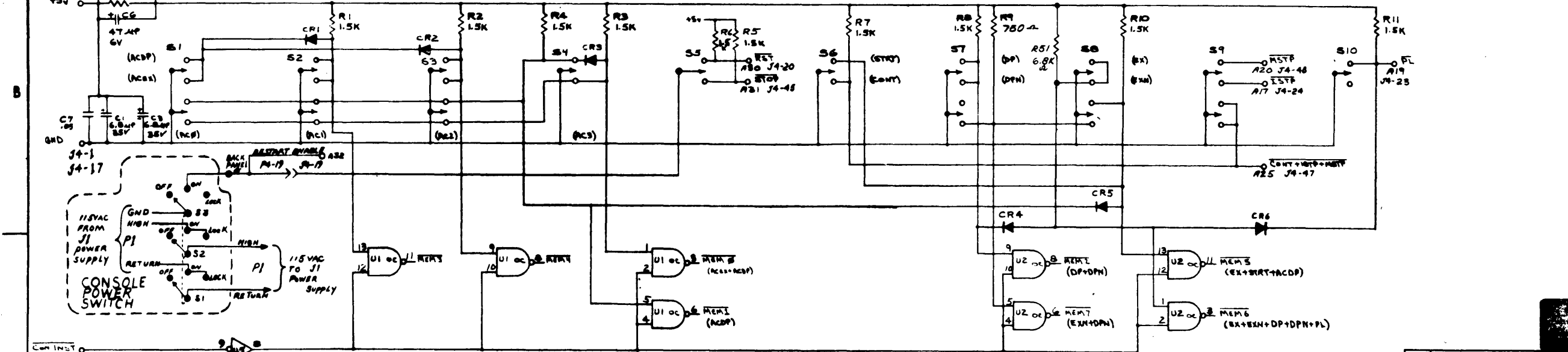


THIS DRAWING AND SPECIFICATIONS HEREBY ARE THE PROPERTY OF DATA GENERAL CORPORATION AND SHALL NOT BE REPRODUCED, COPIED, FORWARDED OR USED IN WHOLE OR IN PART AS THE BASIS FOR MANUFACTURE OR SALE OF ITEMS WITHOUT WRITTEN PERMISSION.

REV.	DESCRIPTION	DATE	BY
02	ECO #119		
03	ECO #201		
04	Q1 TO J4-403/ECO#250		
05	ECO #427		



06	ECO #714 ADDED C7, .05 FROM RECT TO GND	KALP
07	ECO #1217	R.W.C.
08	ECO #1391	R.W.C.



QTY.	DESCRIPTION	PART NO.
1	U1 oc MEM1 (NCP)	
1	U1 oc MEM2 (NCP)	
1	U1 oc MEM3 (NCP)	
1	U1 oc MEM4 (NCP)	
1	U1 oc MEM5 (NCP)	
1	U1 oc MEM6 (NCP)	
1	U1 oc MEM7 (NCP)	
1	U1 oc MEM8 (NCP)	
1	U1 oc MEM9 (NCP)	
1	U1 oc MEM10 (NCP)	
1	U1 oc MEM11 (NCP)	
1	U1 oc MEM12 (NCP)	
1	U1 oc MEM13 (NCP)	
1	U1 oc MEM14 (NCP)	
1	U1 oc MEM15 (NCP)	
1	U1 oc MEM16 (NCP)	
1	U1 oc MEM17 (NCP)	
1	U1 oc MEM18 (NCP)	
1	U1 oc MEM19 (NCP)	
1	U1 oc MEM20 (NCP)	
1	U1 oc MEM21 (NCP)	
1	U1 oc MEM22 (NCP)	
1	U1 oc MEM23 (NCP)	
1	U1 oc MEM24 (NCP)	
1	U1 oc MEM25 (NCP)	
1	U1 oc MEM26 (NCP)	
1	U1 oc MEM27 (NCP)	
1	U1 oc MEM28 (NCP)	
1	U1 oc MEM29 (NCP)	
1	U1 oc MEM30 (NCP)	
1	U1 oc MEM31 (NCP)	
1	U1 oc MEM32 (NCP)	
1	U1 oc MEM33 (NCP)	
1	U1 oc MEM34 (NCP)	
1	U1 oc MEM35 (NCP)	
1	U1 oc MEM36 (NCP)	
1	U1 oc MEM37 (NCP)	
1	U1 oc MEM38 (NCP)	
1	U1 oc MEM39 (NCP)	
1	U1 oc MEM40 (NCP)	
1	U1 oc MEM41 (NCP)	
1	U1 oc MEM42 (NCP)	
1	U1 oc MEM43 (NCP)	
1	U1 oc MEM44 (NCP)	
1	U1 oc MEM45 (NCP)	
1	U1 oc MEM46 (NCP)	
1	U1 oc MEM47 (NCP)	
1	U1 oc MEM48 (NCP)	
1	U1 oc MEM49 (NCP)	
1	U1 oc MEM50 (NCP)	
1	U1 oc MEM51 (NCP)	
1	U1 oc MEM52 (NCP)	
1	U1 oc MEM53 (NCP)	
1	U1 oc MEM54 (NCP)	
1	U1 oc MEM55 (NCP)	
1	U1 oc MEM56 (NCP)	
1	U1 oc MEM57 (NCP)	
1	U1 oc MEM58 (NCP)	
1	U1 oc MEM59 (NCP)	
1	U1 oc MEM60 (NCP)	
1	U1 oc MEM61 (NCP)	
1	U1 oc MEM62 (NCP)	
1	U1 oc MEM63 (NCP)	
1	U1 oc MEM64 (NCP)	
1	U1 oc MEM65 (NCP)	
1	U1 oc MEM66 (NCP)	
1	U1 oc MEM67 (NCP)	
1	U1 oc MEM68 (NCP)	
1	U1 oc MEM69 (NCP)	
1	U1 oc MEM70 (NCP)	
1	U1 oc MEM71 (NCP)	
1	U1 oc MEM72 (NCP)	
1	U1 oc MEM73 (NCP)	
1	U1 oc MEM74 (NCP)	
1	U1 oc MEM75 (NCP)	
1	U1 oc MEM76 (NCP)	
1	U1 oc MEM77 (NCP)	
1	U1 oc MEM78 (NCP)	
1	U1 oc MEM79 (NCP)	
1	U1 oc MEM80 (NCP)	
1	U1 oc MEM81 (NCP)	
1	U1 oc MEM82 (NCP)	
1	U1 oc MEM83 (NCP)	
1	U1 oc MEM84 (NCP)	
1	U1 oc MEM85 (NCP)	
1	U1 oc MEM86 (NCP)	
1	U1 oc MEM87 (NCP)	
1	U1 oc MEM88 (NCP)	
1	U1 oc MEM89 (NCP)	
1	U1 oc MEM90 (NCP)	
1	U1 oc MEM91 (NCP)	
1	U1 oc MEM92 (NCP)	
1	U1 oc MEM93 (NCP)	
1	U1 oc MEM94 (NCP)	
1	U1 oc MEM95 (NCP)	
1	U1 oc MEM96 (NCP)	
1	U1 oc MEM97 (NCP)	
1	U1 oc MEM98 (NCP)	
1	U1 oc MEM99 (NCP)	
1	U1 oc MEM100 (NCP)	

DRAWN		10-9-70
UNLESS OTHERWISE SPECIFIED—DIMENSIONS ARE IN INCHES TOLERANCES ON FRACTIONS DECIMALS ANGLES		
UNLESS OTHERWISE SPECIFIED—ALL SURFACES		
FIRST USED ON 077		
107-000/33		
SCALE		
DRAWING NUMBER		
000089		
REV		
08		

DATA GENERAL CORPORATION
SOUTHBORO, MASSACHUSETTS 01772

TITLE
**NOVA 800/1200
CONSOLE**

SIZE CODE
D 001