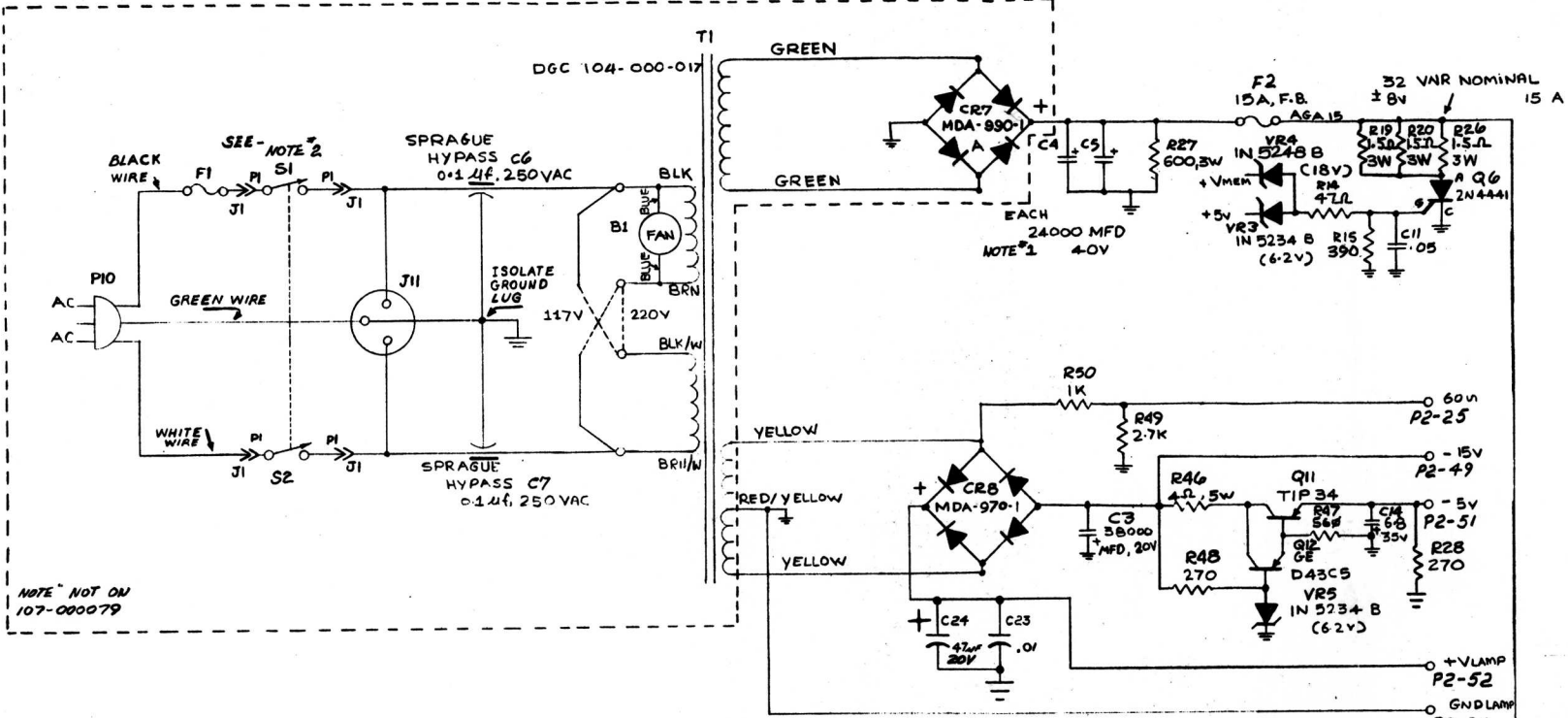
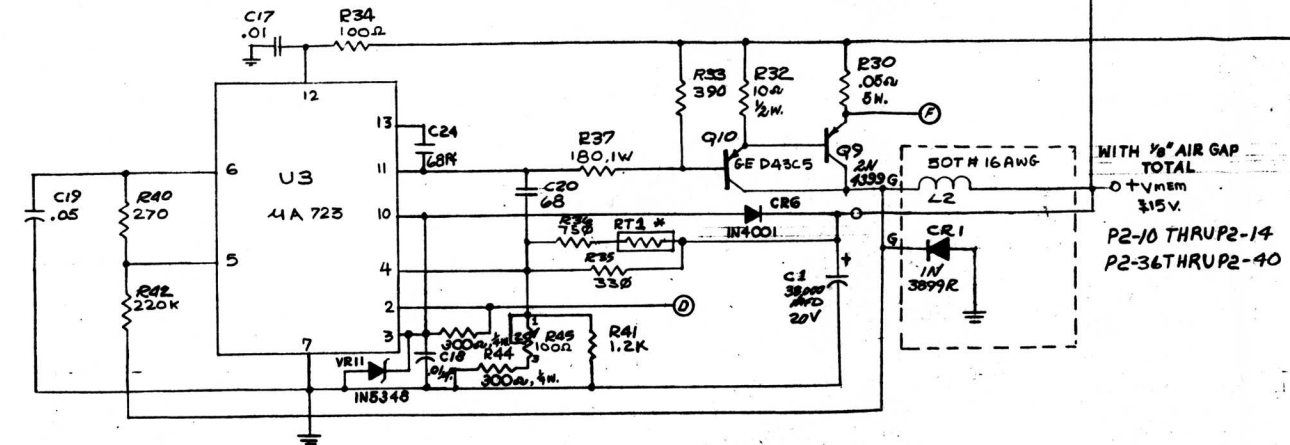
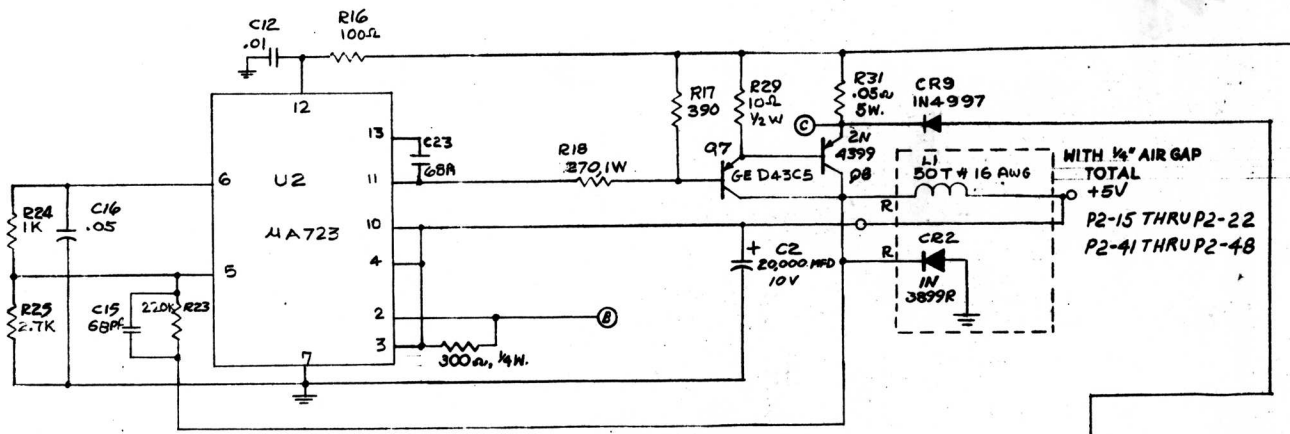


THIS DRAWING AND SPECIFICATIONS HEREIN, ARE THE PROPERTY OF DATA GENERAL CORPORATION AND SHALL NOT BE REPRODUCED OR COPIED OR USED IN WHOLE OR IN PART AS THE BASIS FOR MANUFACTURE OR SALE OF ITEMS WITHOUT WRITTEN PERMISSION.

REVISIONS				
REV.	DESCRIPTION	DRFTG.	APP. BY	DATE
01	ECO# 111	MDO	MDO	12/1/70
02	ECO# 153+165	MDO	MDO	1-20/71
03	ECO# 288	MDO	MDO	4-2/71
04	ECO# 301	RHS	RHS	4/29/71
05	REF. DES. MODIFIED PER ECO# 372, 366	RHS	RHS	6/23/71
06	ECO# 407	WJG	WJG	8/4/71
07	ECO# 364	WJG	WJG	8/25/71
08	ECO# 371	WJG	WJG	8/25/71
09	ECO# 431	WJG	WJG	8/25/71
10	ECO# 495+569	WJG	WJG	8/25/71
11	ECO# 570	RHS	RHS	11-16/71
12	ECO# 576	RHS	RHS	11-16/71
13	ECO# 579	RHS	RHS	11-16/71
14	ECO# 790	MDO	MDO	3/1/72
15	ECO# 801	MDO	MDO	3/1/72
16	ECO# 897	MDO	MDO	3/1/72
17	ECO# 1034	MDO	MDO	8/1/72
18	ECO# 1053	MDO	MDO	8/1/72
19	ECO# 1077	MDO	MDO	8/1/72
20	ECO# 1339	R.W.C.	R.W.C.	4-11-73
21	ECO# 1520	R.W.C.	R.W.C.	4-11-73



NOTE NOT ON 107-000079



+5V - W6

+15V

+30VNR

NOTE 1: +30VNR FILTER CAPS MAY BE 19,000MFD TO 29,000MFD.

NOTE 2: POWER SWITCH IS MOUNTED ON ENCLOSURE MAIN FRAME ASSEMBLY AND IS SHOWN FOR REFERENCE, SEE DWG. # 001-000089

