

REVISIONS				
REV.	DESCRIPTION	DRFTG.	APP BY	DATE
01	ECO 269	RNK		8-11-71
02	ECO 294	RNK		8-11-71
03	ECO 323	RNK		8-11-71
04	ECO 325	RNK		8-11-71
05	ECO 390	RNK		8-11-71
06	ECO 481	RNK		8-11-71
07	ECO 725	RNK		3/72
08	ECO 748	RNK		3/72
09	ECO 785	RNK		3/72

Can be loaded from MBO

MA1-15

memory data

green lines common with (B#) I/O Bus multiply

Mem Bus

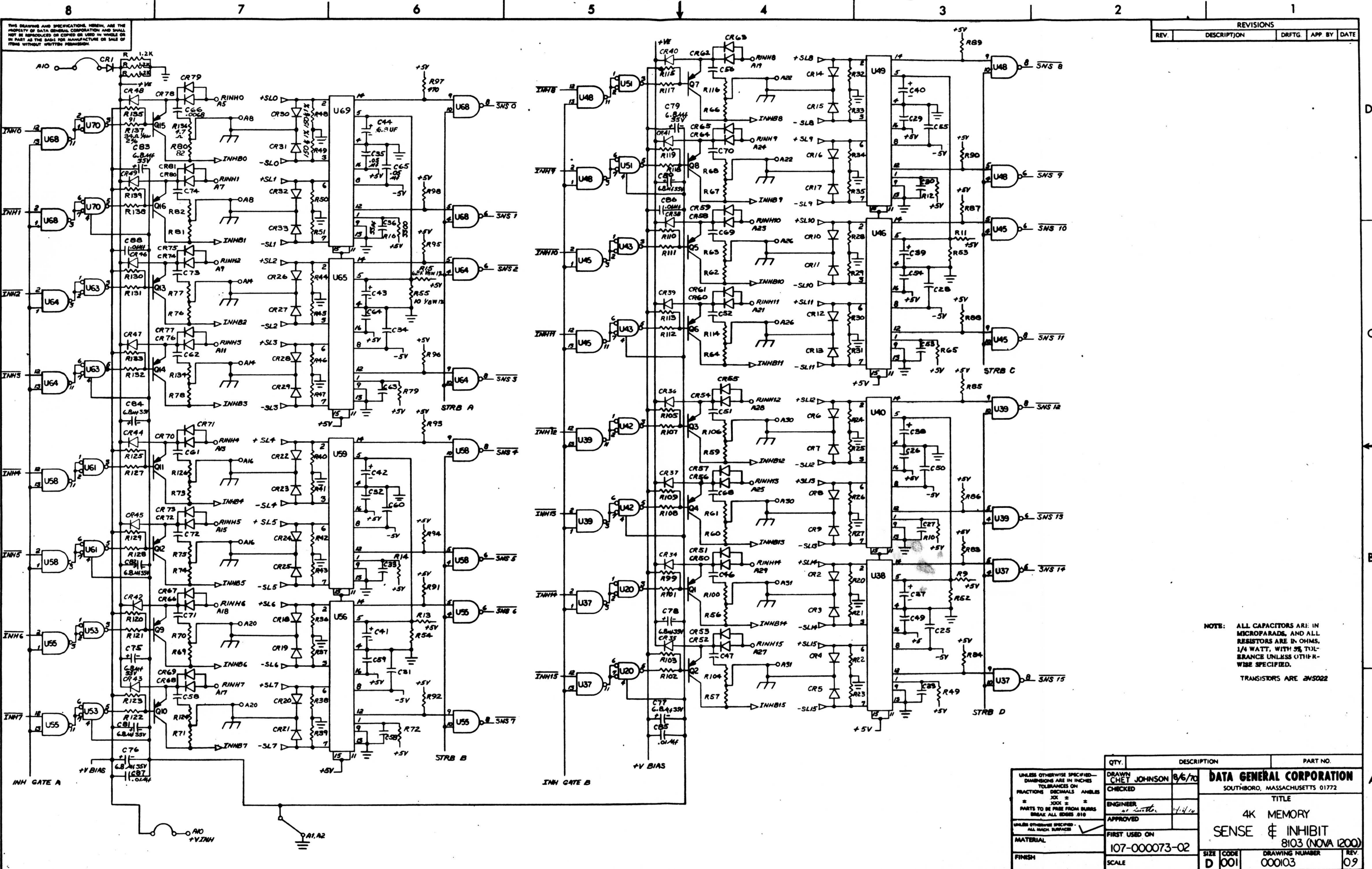
MB Reg

NOTE: FOLLOWING COMPONENTS ARE NOT INSTALLED ON P.C. BOARD REV. 01A. R1, R188, C5, C124, C888, WR2, J1

1200 input mux I/O Bus in/out

can be either I/O or Memory MBO

QTY.	DESCRIPTION	PART NO.
DRAWN CHECKED ENGINEER APPROVED	1200	8103
DATA GENERAL CORPORATION SOUTHBORO, MASSACHUSETTS 01772		
TITLE 4K MEMORY MA & MB REGISTER & CONTROL 8103 (NOVA 1200)		
MATERIAL	FIRST USED ON	SCALE
FINISH	107-000073-02	D 001
		DRAWING NUMBER 000103
		REV 09



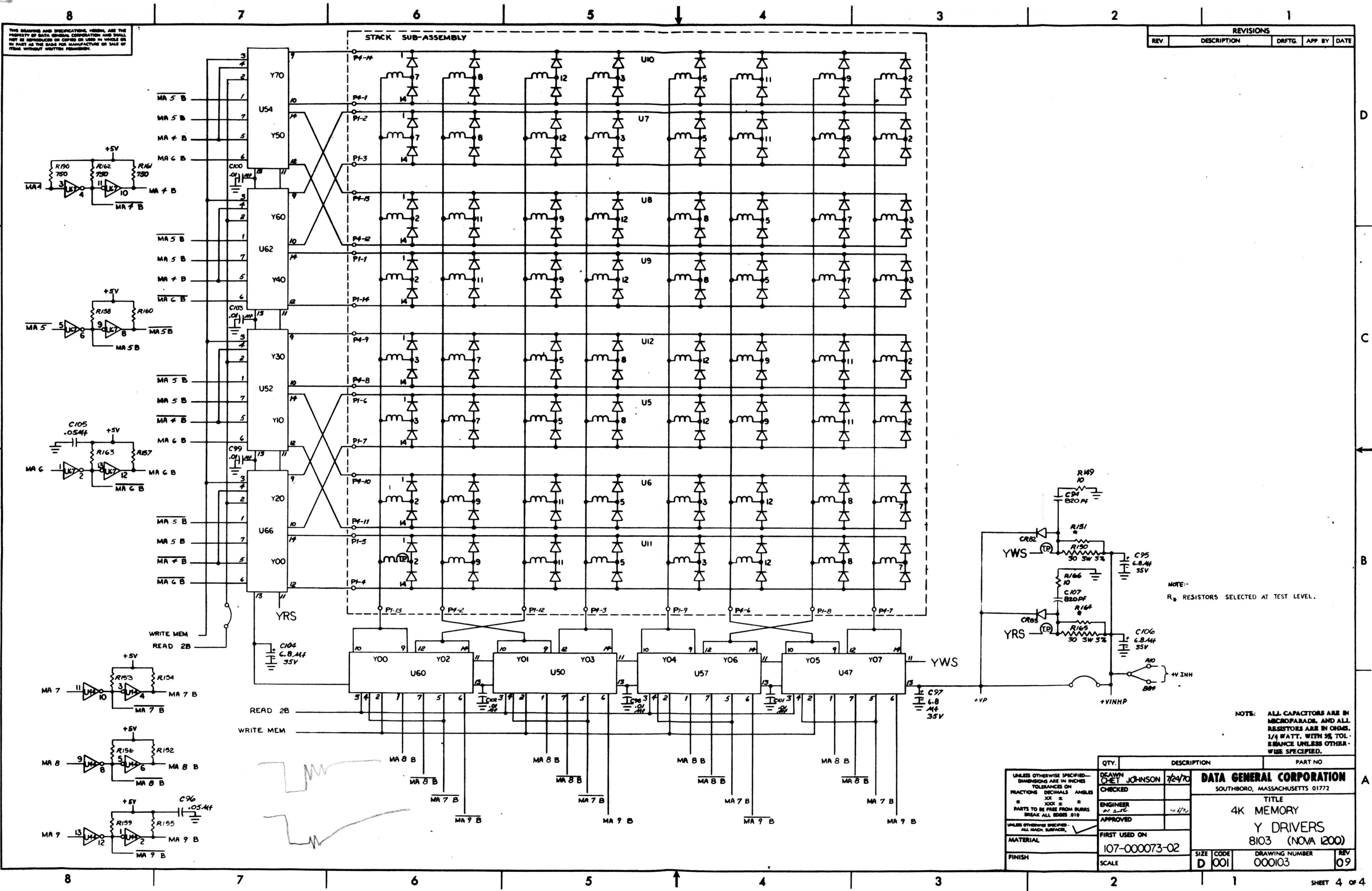
THIS DRAWING AND SPECIFICATIONS, HEREIN, ARE THE PROPERTY OF DATA GENERAL CORPORATION AND SHALL NOT BE REPRODUCED OR COPIED OR USED IN WHOLE OR IN PART AS THE BASIS FOR MANUFACTURE OR SALE OF ITEMS WITHOUT WRITTEN PERMISSION.

REVISIONS				
REV.	DESCRIPTION	DRFTG.	APP. BY	DATE

NOTE: ALL CAPACITORS ARE IN MICROFARADS, AND ALL RESISTORS ARE IN OHMS, 1/4 WATT, WITH 5% TOLERANCE UNLESS OTHERWISE SPECIFIED. TRANSISTORS ARE 2N5022

QTY.	DESCRIPTION	PART NO.

UNLESS OTHERWISE SPECIFIED— DIMENSIONS ARE IN INCHES TOLERANCES ON FRACTIONS DECIMALS ANGLES X.XX ± .005 * PARTS TO BE FREE FROM BURRS BREAK ALL EDGES .010	DRAWN CHECKED ENGINEER APPROVED FIRST USED ON MATERIAL FINISH	DATA GENERAL CORPORATION SOUTHBORO, MASSACHUSETTS 01772 TITLE 4K MEMORY SENSE & INHIBIT 8103 (NOVA 1200) DRAWING NUMBER REV.
107-00073-02	001	000103 09



REVISIONS			
REV	DESCRIPTION	DRFTG	APP BY DATE

NOTE: R_s RESISTORS SELECTED AT TEST LEVEL.

NOTE: ALL CAPACITORS ARE IN MICROFARADS. AND ALL RESISTORS ARE IN OHMS, 1/4 WATT, WITH 5% TOLERANCE UNLESS OTHERWISE SPECIFIED.

UNLESS OTHERWISE SPECIFIED—DIMENSIONS ARE IN INCHES TOLERANCES ON FRACTIONS DECIMALS ANGLES ± .001 ± .005 ± .010 PARTS TO BE FREE FROM BURRS BREAK ALL EDGES .010 UNLESS OTHERWISE SPECIFIED ALL MACH. SURFACES.	QTY. DESCRIPTION PART NO.	DRAWN CHECKED ENGINEER APPROVED FIRST USED ON MATERIAL FINISH	DATA GENERAL CORPORATION SOUTHBORO, MASSACHUSETTS 01772 TITLE 4K MEMORY Y DRIVERS 8103 (NOVA 1200) SIZE CODE D 001 DRAWING NUMBER 000103 REV 09
---	---------------------------------	---	--