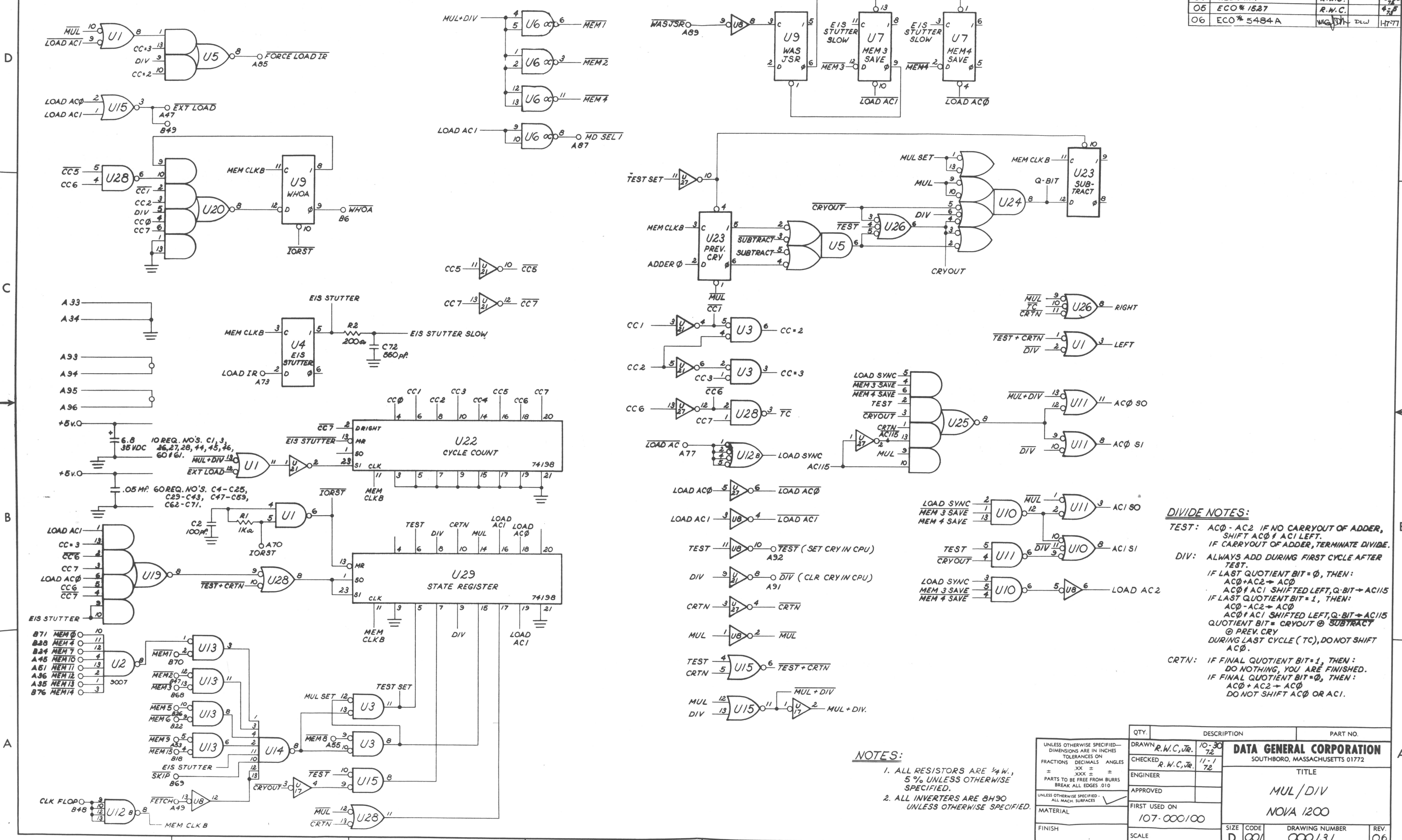


THIS DRAWING AND SPECIFICATIONS HEREIN ARE THE PROPERTY OF DATA GENERAL CORPORATION AND SHALL NOT BE REPRODUCED OR COPIED OR USED IN WHOLE OR IN PART AS THE BASIS FOR MANUFACTURE OR SALE OF ITEMS WITHOUT WRITTEN PERMISSION.

REVISIONS				
REV.	DESCRIPTION	DRFTG.	APP. BY	DATE
04	REDRAWN	R.W.C.		10-30
05	ECO* 1527	R.W.C.		4-5
06	ECO* 5484 A	W.G.	DLW	1-17-77



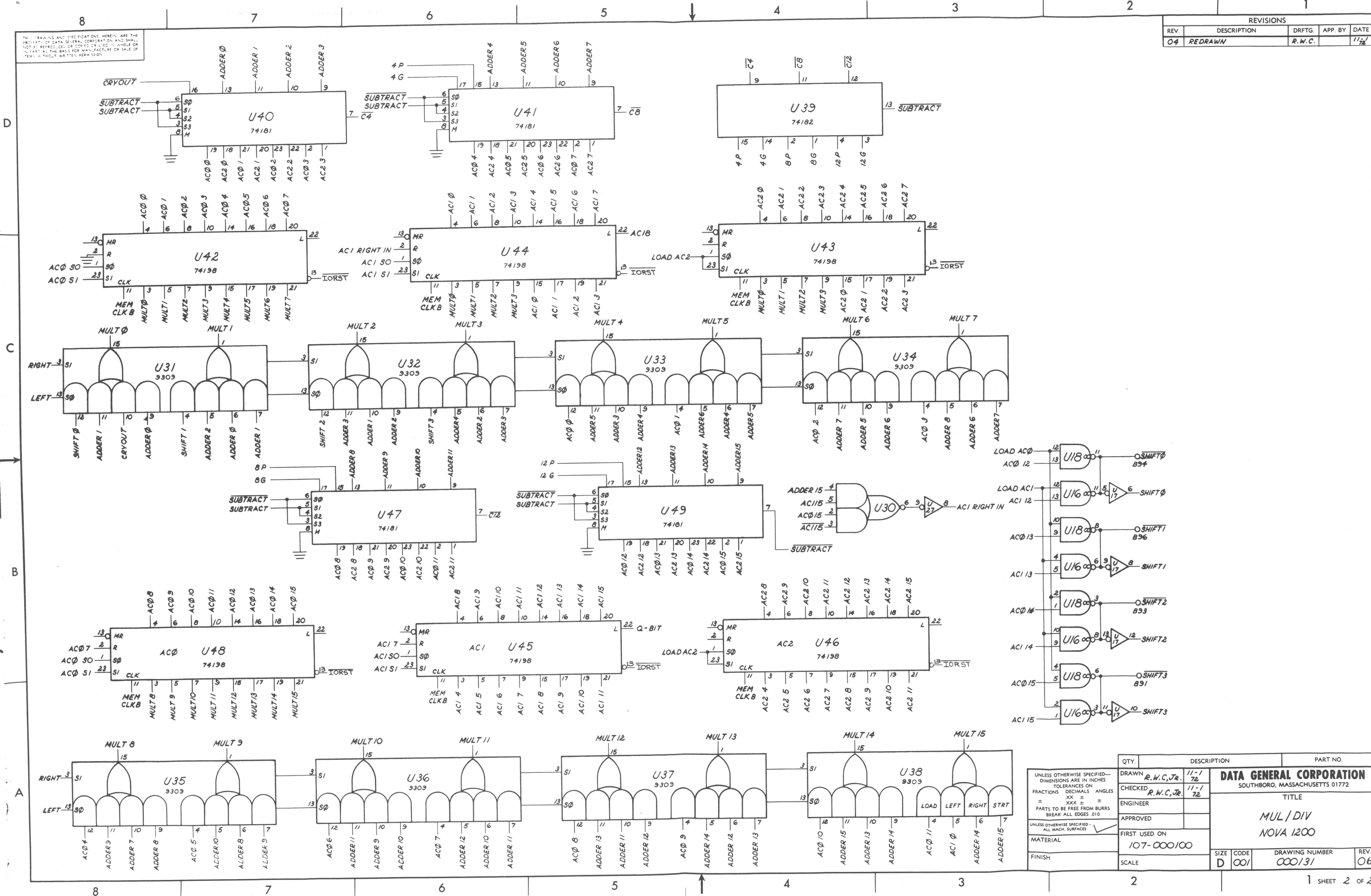
DIVIDE NOTES:
 TEST: AC0 - AC2 IF NO CARRYOUT OF ADDER, SHIFT AC0 1 AC1 LEFT. IF CARRYOUT OF ADDER, TERMINATE DIVIDE.
 DIV: ALWAYS ADD DURING FIRST CYCLE AFTER TEST.
 IF LAST QUOTIENT BIT = 0, THEN:
 AC0 + AC2 → AC0
 AC0 1 AC1 SHIFTED LEFT, Q-BIT → AC1/5
 IF LAST QUOTIENT BIT = 1, THEN:
 AC0 - AC2 → AC0
 AC0 1 AC1 SHIFTED LEFT, Q-BIT → AC1/5
 QUOTIENT BIT = CRYOUT ⊕ SUBTRACT ⊕ PREV. CRY
 DURING LAST CYCLE (TC), DO NOT SHIFT AC0.
 CRTN: IF FINAL QUOTIENT BIT = 1, THEN: DO NOTHING, YOU ARE FINISHED. IF FINAL QUOTIENT BIT = 0, THEN: AC0 + AC2 → AC0. DO NOT SHIFT AC0 OR AC1.

- NOTES:**
- ALL RESISTORS ARE 1/4 W., 5% UNLESS OTHERWISE SPECIFIED.
 - ALL INVERTERS ARE 8H90 UNLESS OTHERWISE SPECIFIED.

QTY.	DESCRIPTION	PART NO.
	UNLESS OTHERWISE SPECIFIED—DIMENSIONS ARE IN INCHES TOLERANCES ON FRACTIONS DECIMALS ANGLES	
	± .XX ± .XXX ± .	
	PARTS TO BE FREE FROM BURRS BREAK ALL EDGES .010	
	UNLESS OTHERWISE SPECIFIED—ALL MACH. SURFACES	
	MATERIAL	
	FINISH	
DRAWN	R.W.C., JR.	10-30/72
CHECKED	R.W.C., JR.	11-1/72
ENGINEER		
APPROVED		
FIRST USED ON	107-000/100	
SCALE		
DATA GENERAL CORPORATION SOUTHBORO, MASSACHUSETTS 01772		
TITLE MUL/DIV NOVA 1200		
SIZE	CODE	DRAWING NUMBER
D	001	000131
REV.	06	

ALL DIMENSIONS AND SPECIFICATIONS HEREIN ARE THE PROPERTY OF DATA GENERAL CORPORATION AND SHALL NOT BE REPRODUCED OR COPIED OR USED IN ANY MANNER WITHOUT THE WRITTEN PERMISSION OF DATA GENERAL CORPORATION.

REVISIONS				
REV.	DESCRIPTION	DRFTG.	APP. BY	DATE
04	REDRAWN	R.W.C.		11/21/72



QTY.	DESCRIPTION	PART NO.
	UNLESS OTHERWISE SPECIFIED—DIMENSIONS ARE IN INCHES—TOLERANCES ON FRACTIONS DECIMALS ANGLES .XX ± .XXX ± . PARTS TO BE FREE FROM BURRS BREAK ALL EDGES 0.10 UNLESS OTHERWISE SPECIFIED—ALL MACH. SURFACES	
DRAWN	R.W.C./Jr.	11-1/72
CHECKED	R.W.C./Jr.	11-1/72
ENGINEER		
APPROVED		
FIRST USED ON	107-000/00	
MATERIAL		
FINISH		
SCALE		

DATA GENERAL CORPORATION SOUTHBORO, MASSACHUSETTS 01772			
TITLE MUL/DIV NOVA 1200			
SIZE	CODE	DRAWING NUMBER	REV.
D	001	000/31	06