

THIS DRAWING AND SPECIFICATIONS HEREIN ARE THE PROPERTY OF DATA GENERAL CORPORATION AND SHALL NOT BE REPRODUCED OR COPIED OR USED IN WHOLE OR IN PART AS THE BASIS FOR MANUFACTURE OR SALE OF ITEMS WITHOUT WRITTEN PERMISSION.

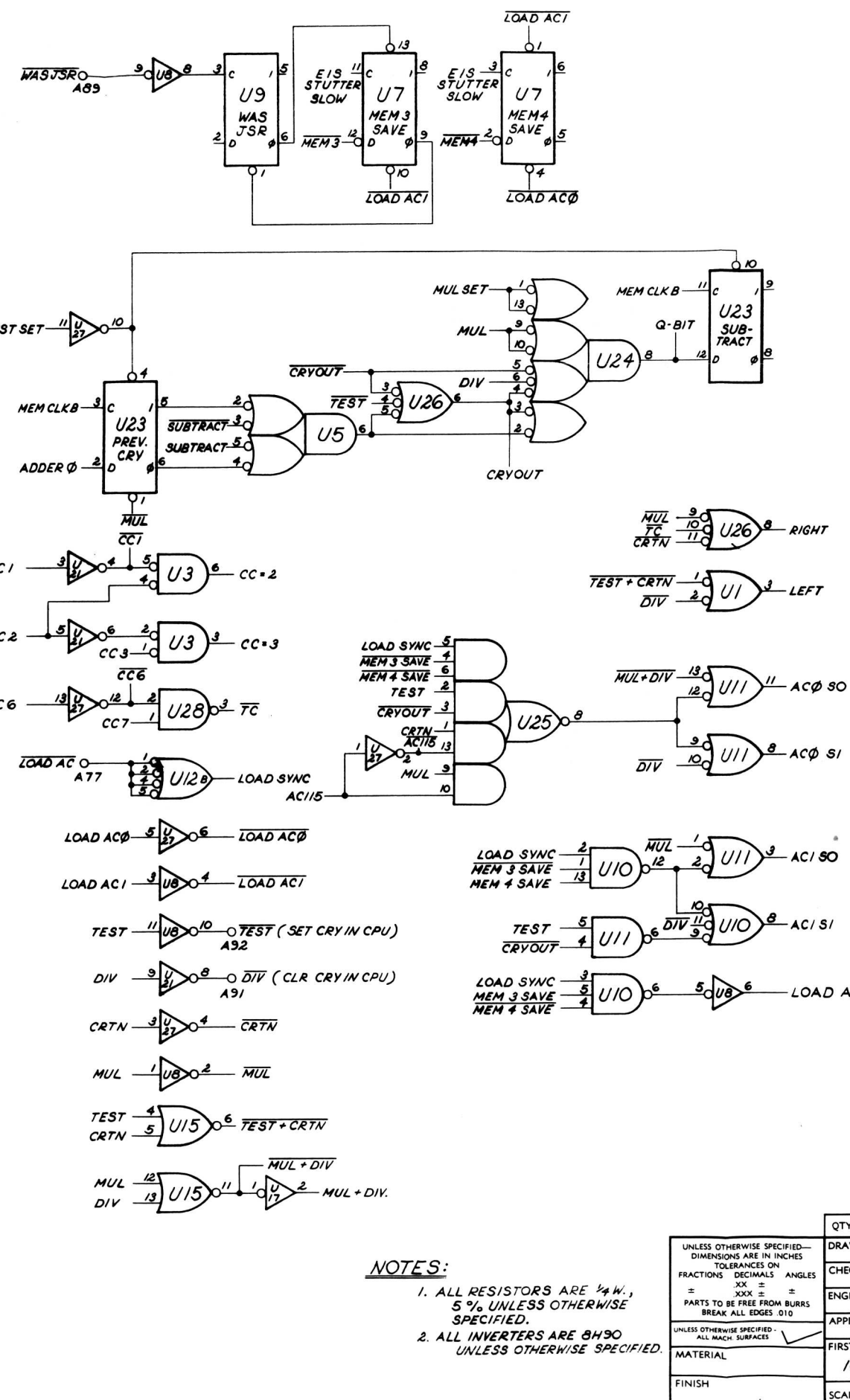
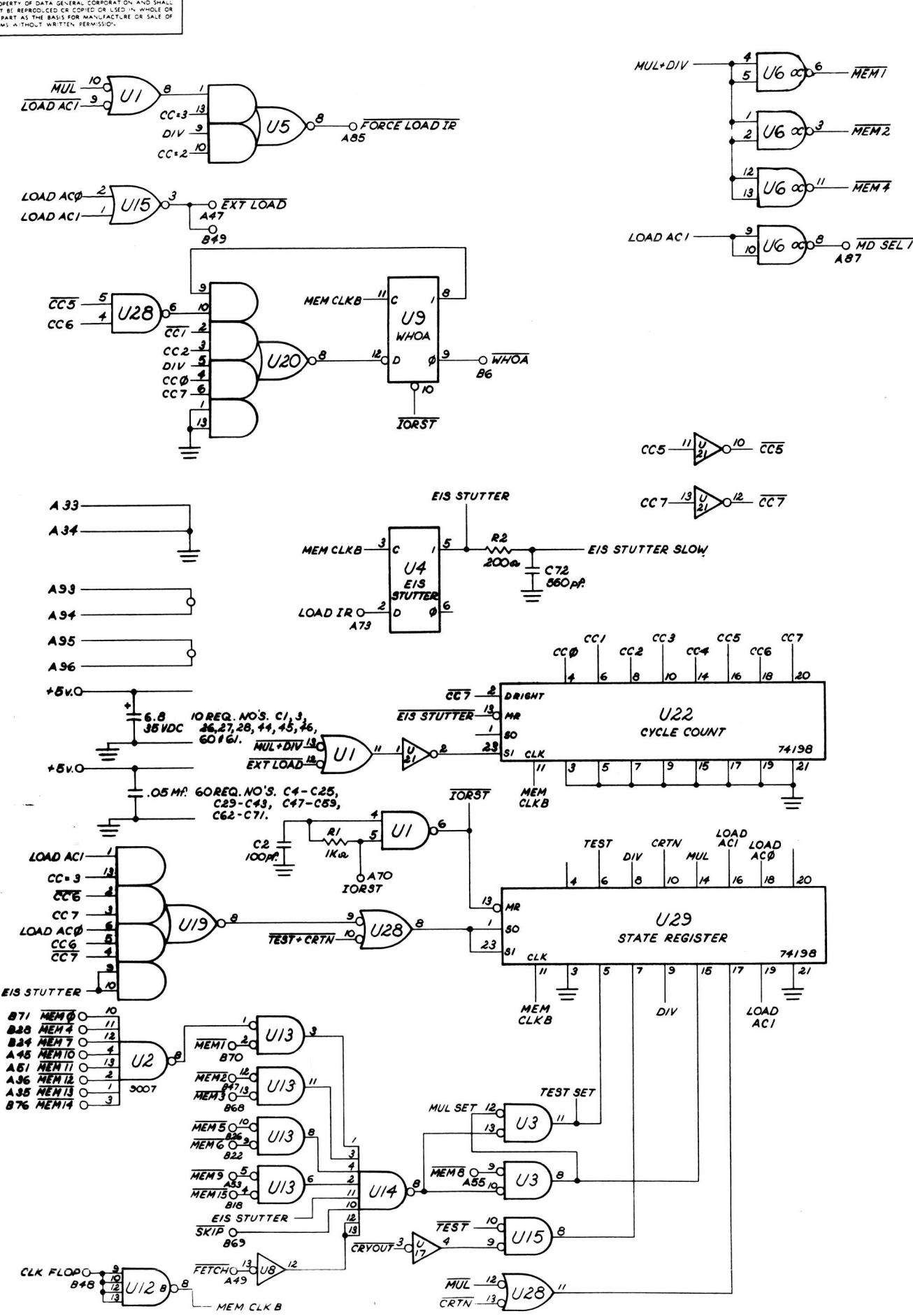
| REVISIONS | | | | |
|-----------|--------------|--------|---------|----------|
| REV. | DESCRIPTION | DRFTG. | APP. BY | DATE |
| 04 | REDRAWN | R.W.C. | | 10-20-72 |
| 05 | ECO # 1527 | R.W.C. | | 11-1-72 |
| 06 | ECO # 5484 A | W.C.D. | D.L.W. | 11-7-72 |

D

C

B

A



DIVIDE NOTES:
TEST: AC0 - AC2 IF NO CARRYOUT OF ADDER, SHIFT AC0 1 AC1 LEFT. IF CARRYOUT OF ADDER, TERMINATE DIVIDE.
DIV: ALWAYS ADD DURING FIRST CYCLE AFTER TEST. IF LAST QUOTIENT BIT = 0, THEN: AC0 + AC2 → AC0, AC0 1 AC1 SHIFTED LEFT, Q-BIT → AC1/5. IF LAST QUOTIENT BIT = 1, THEN: AC0 - AC2 → AC0, AC0 1 AC1 SHIFTED LEFT, Q-BIT → AC1/5. QUOTIENT BIT = CRYOUT @ SUBTRACT @ PREV. CRY. DURING LAST CYCLE (TC), DO NOT SHIFT AC0.
CRTN: IF FINAL QUOTIENT BIT = 1, THEN: DO NOTHING, YOU ARE FINISHED. IF FINAL QUOTIENT BIT = 0, THEN: AC0 + AC2 → AC0, DO NOT SHIFT AC0 OR AC1.

NOTES:
 1. ALL RESISTORS ARE 1/4 W., 5% UNLESS OTHERWISE SPECIFIED.
 2. ALL INVERTERS ARE 8H90 UNLESS OTHERWISE SPECIFIED.

| QTY. | DESCRIPTION | PART NO. |
|------|--------------------|-------------|
| | DRAWN R.W.C./Jr. | 10-30/72 |
| | CHECKED R.W.C./Jr. | 11-1/72 |
| | ENGINEER | |
| | APPROVED | |
| | FIRST USED ON | 107-000/100 |
| | MATERIAL | |
| | FINISH | |
| | SCALE | |

| | | |
|---------------------------------|------|----------------|
| DATA GENERAL CORPORATION | | |
| SOUTHBORO, MASSACHUSETTS 01772 | | |
| TITLE | | |
| MUL/DIV | | |
| NOVA 1200 | | |
| SIZE | CODE | DRAWING NUMBER |
| D | 001 | 000/131 |
| | | REV. 06 |

D

C

B

A

