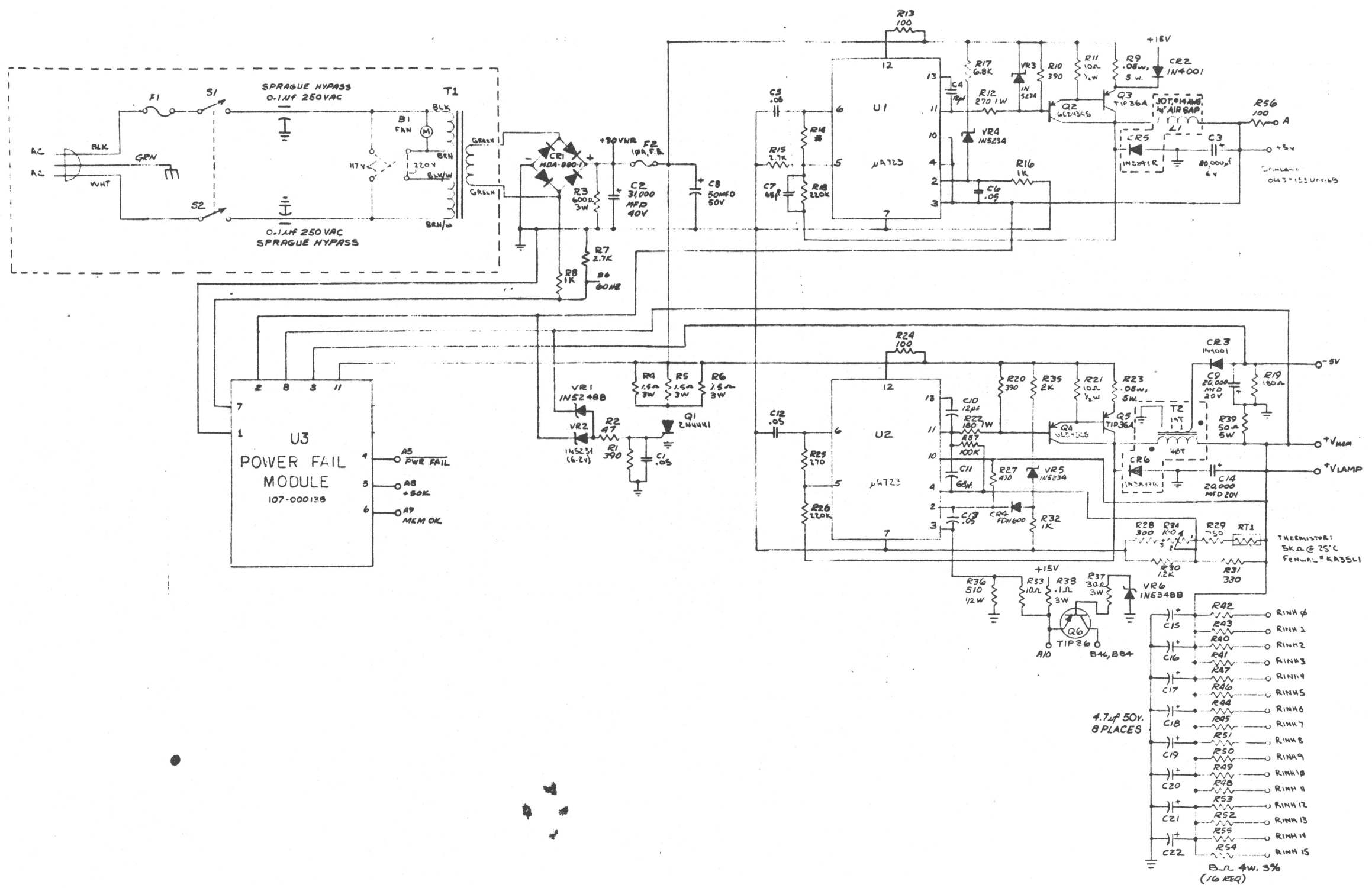


REVISIONS				
REV	DESCRIPTION	DRFTG	APP BY	DATE
01	REV PER MFL PRINT	RWC		1-1-72
02	REV PER ECO # 809	FWS		1-24-72
03	REV PER ECO # 829	MAJ		3-17-72
04	ECO # 1052 CHANGE OF VALUE 6.8K REPLACES TO 4.7K 50W 3% (16 REQ)	RWC		10-16-72
05	ECO # 1157 CHANGE OF VALUE 8W 3W 3% (16 REQ) TO 8W 4W 3% (16 REQ)	RWC		10-16-72
06	ECO # 1478	RWC		3-21-73
07	ECO # 1556	RWC		10-16-73
08	ECO # 1943	RWC		10-16-73
09	ECO # 2199	RWC		1-17-74
10	ECO # 2211	RWC		1-17-74
11	ECO # 2363	RWC		9-18-74



NOTES:
1. * RESISTOR VALUES SELECTED AT TEST.

NMC		QTY	DESCRIPTION	PART NO
UNLESS OTHERWISE SPECIFIED— DIMENSIONS ARE IN INCHES TOLERANCES ON FRACTIONS DECIMALS ANGLES = XX = = PARTS TO BE FREE FROM BURRS BREAK ALL EDGES 010	DRAWN R SMITH		DATA GENERAL CORPORATION SOUTHBORO MASSACHUSETTS 01772	
UNLESS OTHERWISE SPECIFIED ALL MACH SURFACES	CHECKED		TITLE BACK PNL 1210 POWER SUPPLY	
	ENGINEER R GRUHLER		FIRST USED ON 1210 107-000109	
	APPROVED		SIZE CODE D 001	DRAWING NUMBER 000172
			SCALE	REV 11

8 7 6 5 4 3 2 1

8 7 6 5 4 3 2 1 SHEET OF