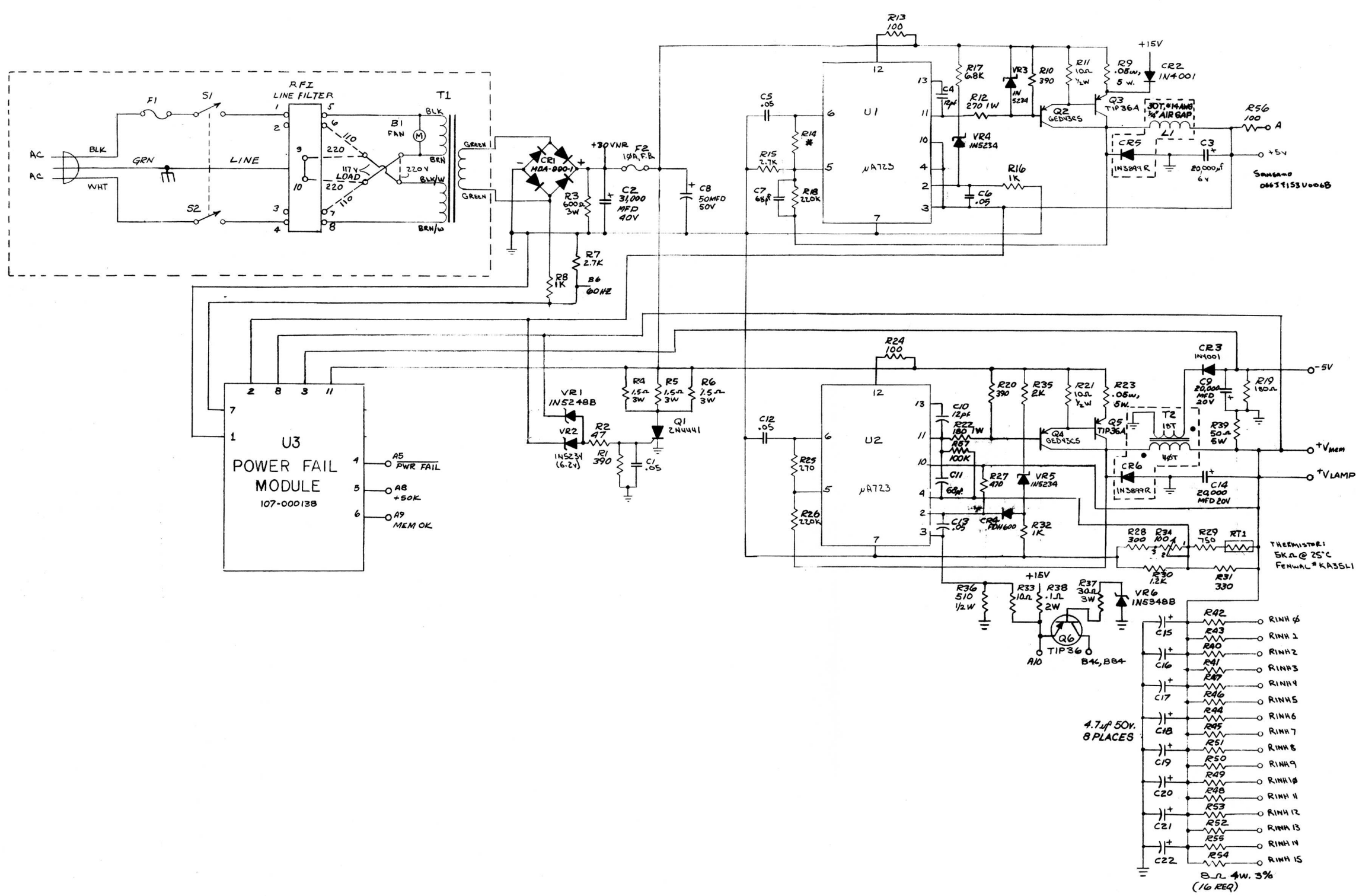


THIS DRAWING AND SPECIFICATIONS, HEREIN, ARE THE PROPERTY OF DATA GENERAL CORPORATION AND SHALL NOT BE REPRODUCED OR COPIED OR USED IN WHOLE OR IN PART AS THE BASIS FOR MANUFACTURE OR SALE OF ITEMS WITHOUT WRITTEN PERMISSION.

REVISIONS				
REV.	DESCRIPTION	DRFTG.	APP. BY	DATE
01	REV PER MKD PRINT	RMS		1/24/71
02	REV PER ECO # 809	RMS		1-24-72
03	REV PER ECO # B29	RMS		3-17-72
04	ECO # 1052 CHANGE OF VALUE 6.8UF 8 PLACES TO 4.7UF 50V 8 PLACES	R.W.C.		10-16-72
05	ECO # 1197 CHANGE OF VALUE 8W 3W 3% (16 REQ) TO 8W 4W 3% (16 REQ)	R.W.C.		10-16-72
06	ECO # 1478	R.W.C.		3-27-73
07	ECO # 1556	R.W.C.		10-16-72
08	ECO # 1943	R.W.C.		10-16-72
09	ECO # 2199	R.W.C.		1-17-73
10	ECO # 2211	R.W.C.		7-27-73
11	ECO # 2363	R.W.C.		4-18-74
12	ECO # 2521	G.W.M.		7-5-74
13	ECO # 2876	R.F.J.		12-16-74



NOTES:
1. * RESISTOR VALUES SELECTED AT TEST.

- R42 R1NH 6
 - R43 R1NH 1
 - R40 R1NH 2
 - R41 R1NH 3
 - R47 R1NH 4
 - R46 R1NH 5
 - R44 R1NH 6
 - R48 R1NH 7
 - R51 R1NH 8
 - R50 R1NH 9
 - R49 R1NH 10
 - R48 R1NH 11
 - R53 R1NH 12
 - R52 R1NH 13
 - R55 R1NH 14
 - R54 R1NH 15
- B.L. 4W. 3% (16 REQ)

NMC		QTY.	DESCRIPTION	PART NO.
UNLESS OTHERWISE SPECIFIED - DIMENSIONS ARE IN INCHES	DRAWN R. SMITH			
TOLERANCES ON FRACTIONS DECIMALS ANGLES	CHECKED			
± .000 ± .001 ± .005 ± .010	ENGINEER R. GEUNER			
PARTS TO BE FREE FROM BURRS BREAK ALL EDGES .010	APPROVED			
UNLESS OTHERWISE SPECIFIED - ALL MACH. SURFACES	FIRST USED ON 1210			
MATERIAL	107-000109			
FINISH	SCALE			
		SIZE D	CODE 001	DRAWING NUMBER 000172
				REV. 13

DATA GENERAL CORPORATION
SOUTHBORO, MASSACHUSETTS 01772
TITLE
BACK PNL 1210
POWER SUPPLY