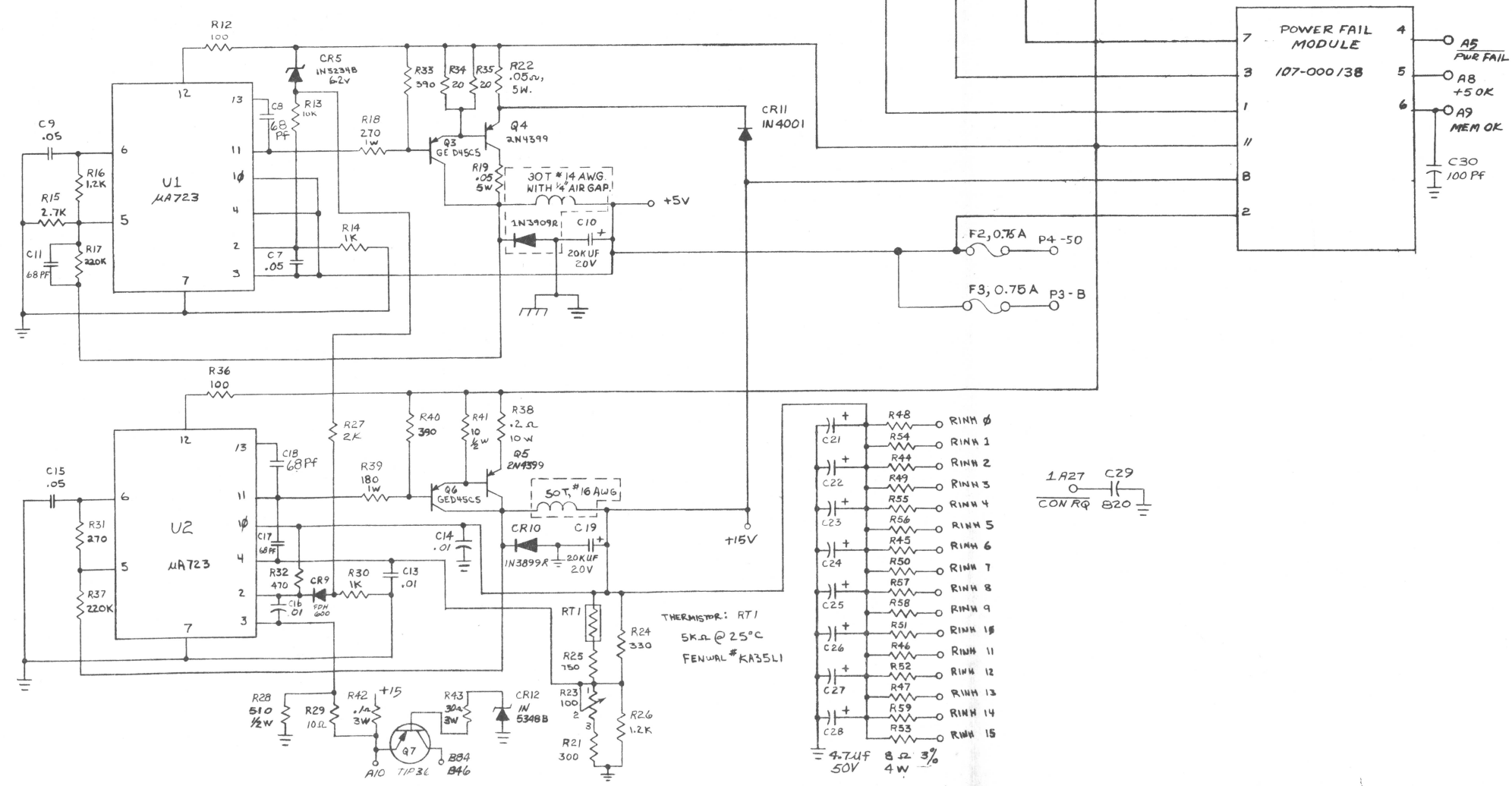
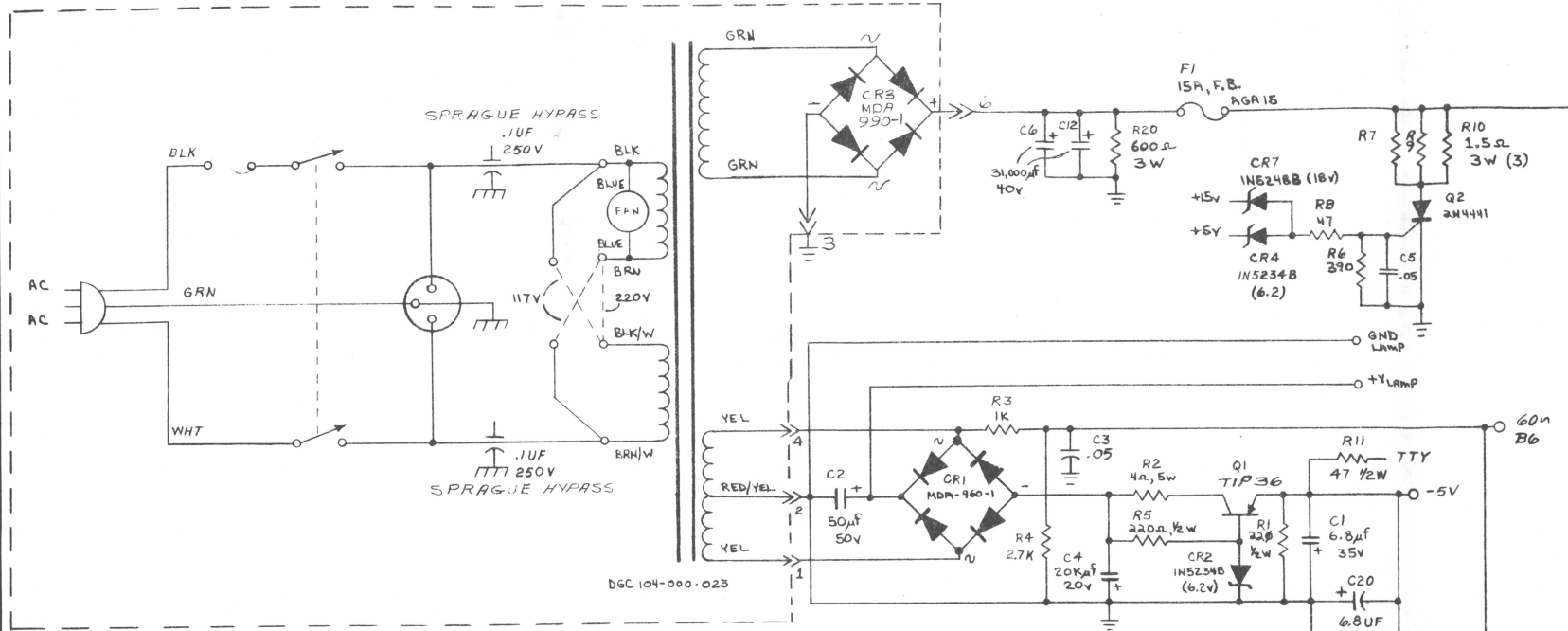


THIS DRAWING AND SPECIFICATIONS, HEREIN, ARE THE PROPERTY OF DATA GENERAL CORPORATION AND SHALL NOT BE REPRODUCED OR COPIED OR USED IN WHOLE OR IN PART AS THE BASIS FOR MANUFACTURE OR SALE OF ITEMS WITHOUT WRITTEN PERMISSION.

REVISIONS				
REV	DESCRIPTION	DRFTG	APP. BY	DATE
01	REV PER MKD PRINT	JENS		1/24/74
02	ECO # 829 848	RNK		2/11/74
03	ECO # 975	RNF		4/18/74
04	ECO # 1025	N.J.P		6-72
05	ECO # 1038	N.J.P		6-72
06	ECO # 1046	R.J.P		6-72
07	ECO # 1179	R.W.C		10/9/72
08	ECO # 1184	N.J.P		11/22/72
09	ECO # 1197	N.J.P		11/22/72
10	ECO # 1261	N.J.P		11/22/72
11	ECO # 1754	R.W.C		7-20-73
12	ECO # 2255	R.W.C		3-1-74



UNLESS OTHERWISE SPECIFIED— DIMENSIONS ARE IN INCHES TOLERANCES ON— FRACTIONS DECIMALS ANGLES		QTY.	DESCRIPTION	PART NO.
PARTS TO BE FREE FROM BURRS BREAK ALL EDGES .010				
UNLESS OTHERWISE SPECIFIED— ALL MACH SURFACES				
MATERIAL				
FINISH				
DRAWN				
CHECKED				
ENGINEER				
APPROVED				
FIRST USED ON				
107-000128				
SCALE				
SIZE				
CODE				
DRAWING NUMBER				
000173				
REV.				
12				

DATA GENERAL CORPORATION
SOUTH BORO, MASSACHUSETTS 01772

**BACK PANEL
POWER SUPPLY
820 1220**