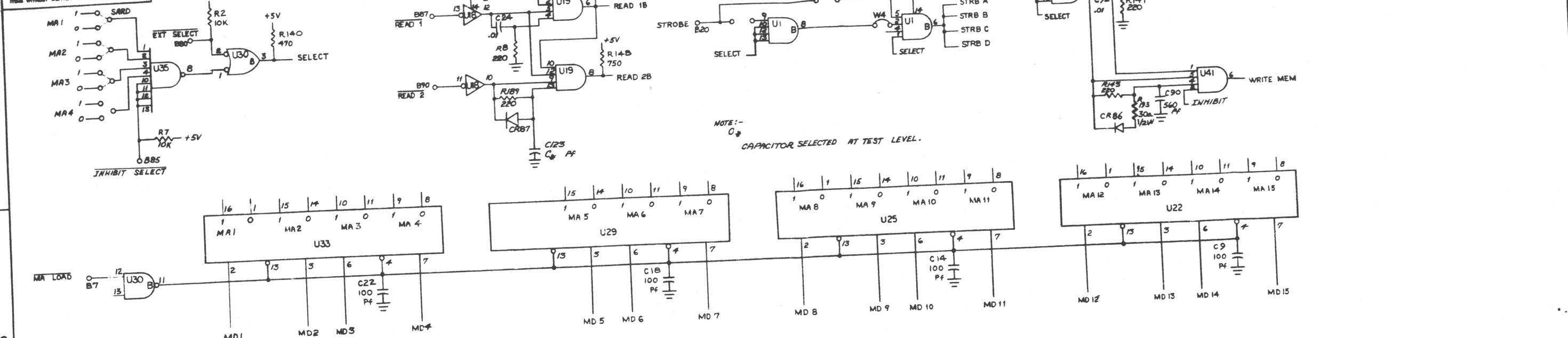
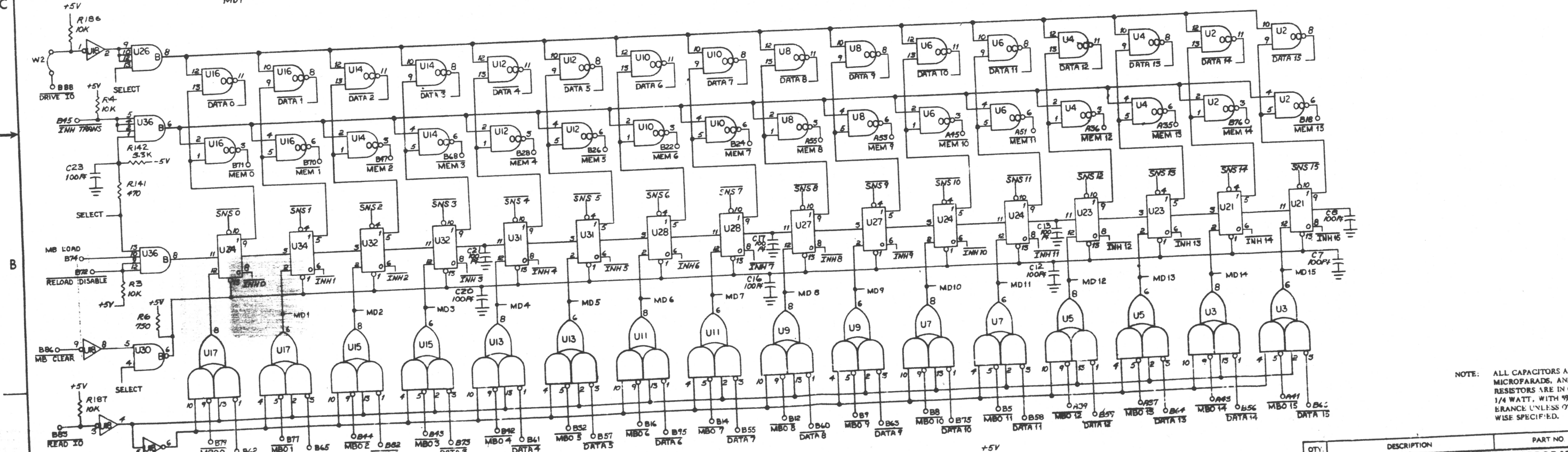


THIS DRAWING AND SPECIFICATIONS HEREIN ARE THE PROPERTY OF DATA GENERAL CORPORATION AND SHALL NOT BE REPRODUCED OR COPIED OR USED IN WHOLE OR IN PART AS THE BASIS FOR MANUFACTURE OR SALE OF ITEMS WITHOUT WRITTEN PERMISSION.

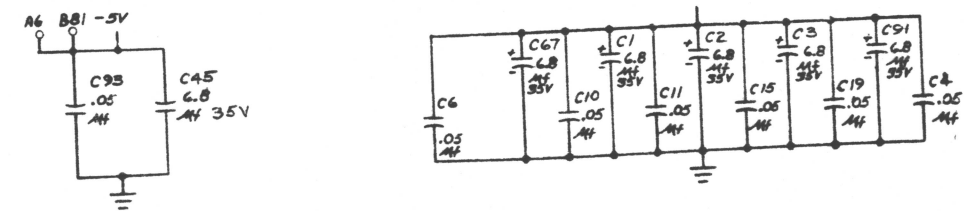
REVISIONS				
REV	DESCRIPTION	DRFTG	APP BY	DATE
01	ECO # 1117	RWC		10-3-72
02	ECO # 1259	RWC		



NOTE: CAPACITOR SELECTED AT TEST LEVEL.



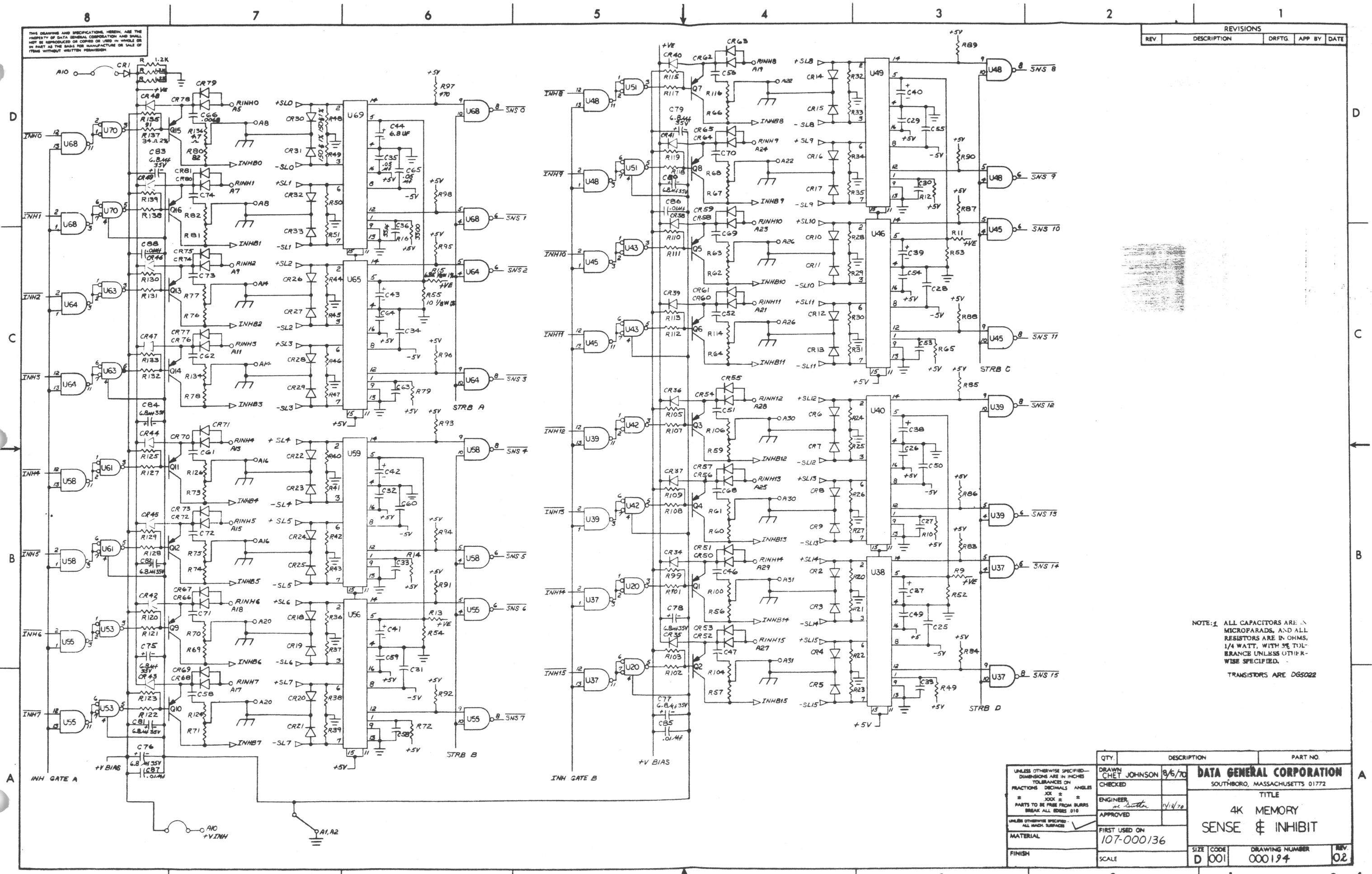
NOTE: ALL CAPACITORS ARE IN MICROFARADS, AND ALL RESISTORS ARE IN OHMS. 1/4 WATT, WITH 5% TOLERANCE UNLESS OTHERWISE SPECIFIED.



UNLESS OTHERWISE SPECIFIED—DIMENSIONS ARE IN INCHES—TOLERANCES ON FRACTIONS DECIMALS ANGLES		DATA GENERAL CORPORATION	
DRAWN	CHEY JOHNSON	SOUTHBORO, MASSACHUSETTS 01772	
CHECKED		TITLE	
ENGINEER		4K MEMORY	
APPROVED		MA & MB REGISTER & CONTROL	
FIRST USED ON	107-000136	SIZE	D 001
MATERIAL		DRAWING NUMBER	000194
FINISH		REV	02

THIS DRAWING AND SPECIFICATIONS HEREIN ARE THE PROPERTY OF DATA GENERAL CORPORATION AND SHALL NOT BE REPRODUCED OR COPIED OR USED IN WHOLE OR IN PART AS THE BASIS FOR MANUFACTURE OR SALE OF ITEMS WITHOUT WRITTEN PERMISSION.

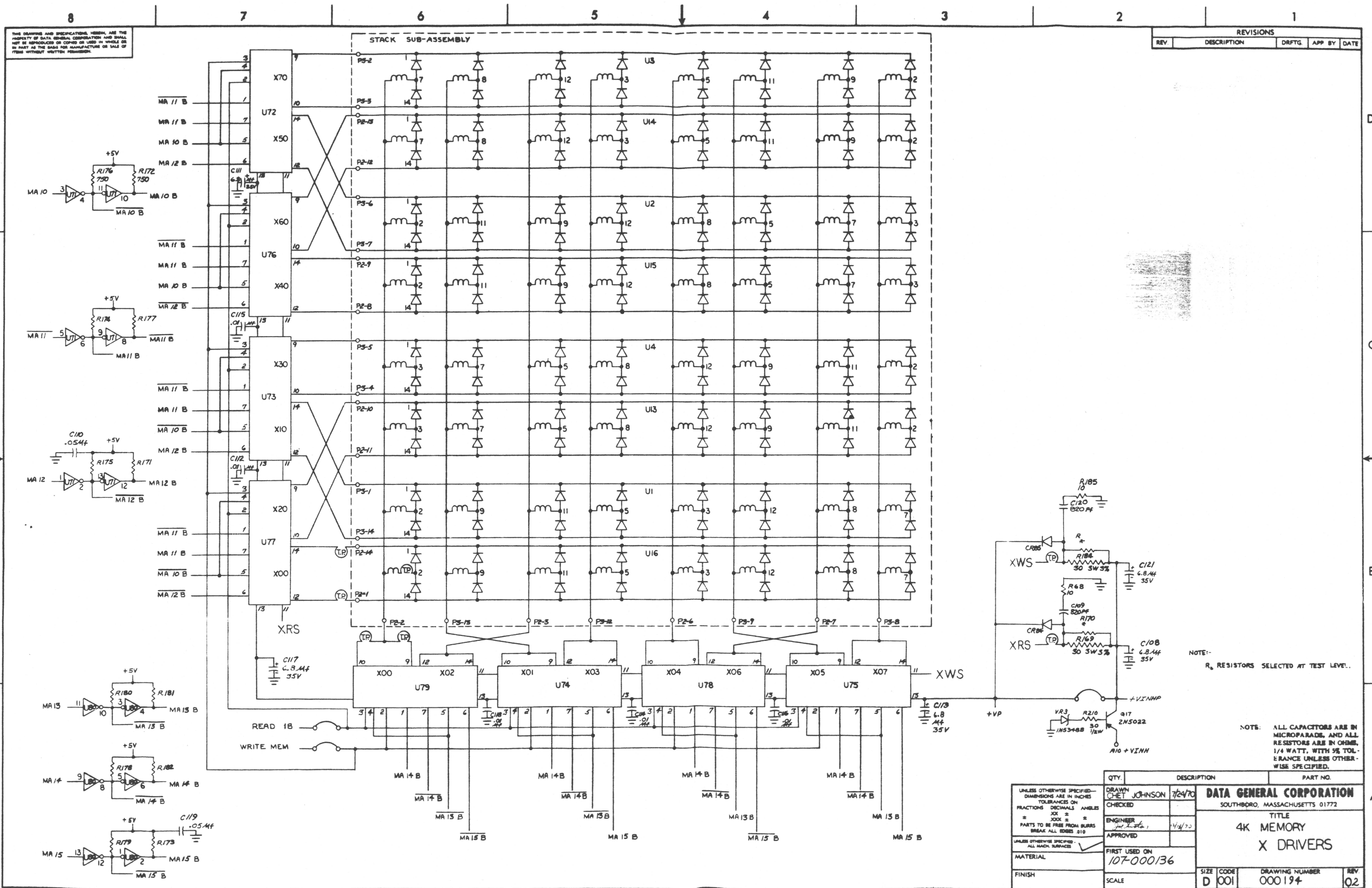
REVISIONS			
REV	DESCRIPTION	DRFTG	APP BY DATE



NOTE: 1 ALL CAPACITORS ARE IN MICROFARADS, AND ALL RESISTORS ARE IN OHMS, 1/4 WATT, WITH 5% TOLERANCE UNLESS OTHERWISE SPECIFIED.
TRANSISTORS ARE DG5022

QTY.	DESCRIPTION	PART NO.

UNLESS OTHERWISE SPECIFIED— DIMENSIONS ARE IN INCHES FRACTIONS DECIMALS ANGLES * XXX * PARTS TO BE FREE FROM BURRS BREAK ALL EDGES 010	DRAWN CHET JOHNSON 8/6/70 CHECKED ENGINEER APPROVED FIRST USED ON 107-000136 MATERIAL FINISH	DATA GENERAL CORPORATION SOUTHBORO, MASSACHUSETTS 01772 TITLE 4K MEMORY SENSE & INHIBIT SIZE CODE D 001 DRAWING NUMBER 000194 REV. 02
---	--	---



REVISIONS			
REV	DESCRIPTION	DRFTG	APP BY DATE

THIS DRAWING AND SPECIFICATIONS HEREIN ARE THE PROPERTY OF DATA GENERAL CORPORATION AND SHALL NOT BE REPRODUCED OR COPIED IN WHOLE OR IN PART AS THE BASIS FOR MANUFACTURE OR SALE OF ITEMS WITHOUT WRITTEN PERMISSION.

NOTE:-
R_s RESISTORS SELECTED AT TEST LEVEL.

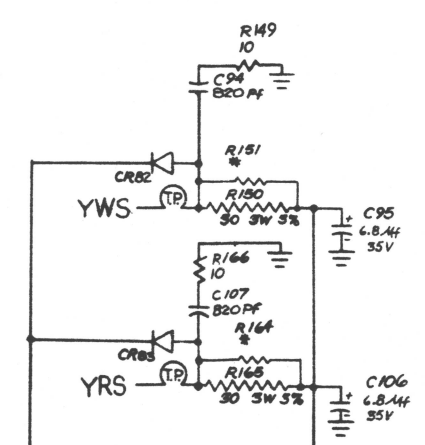
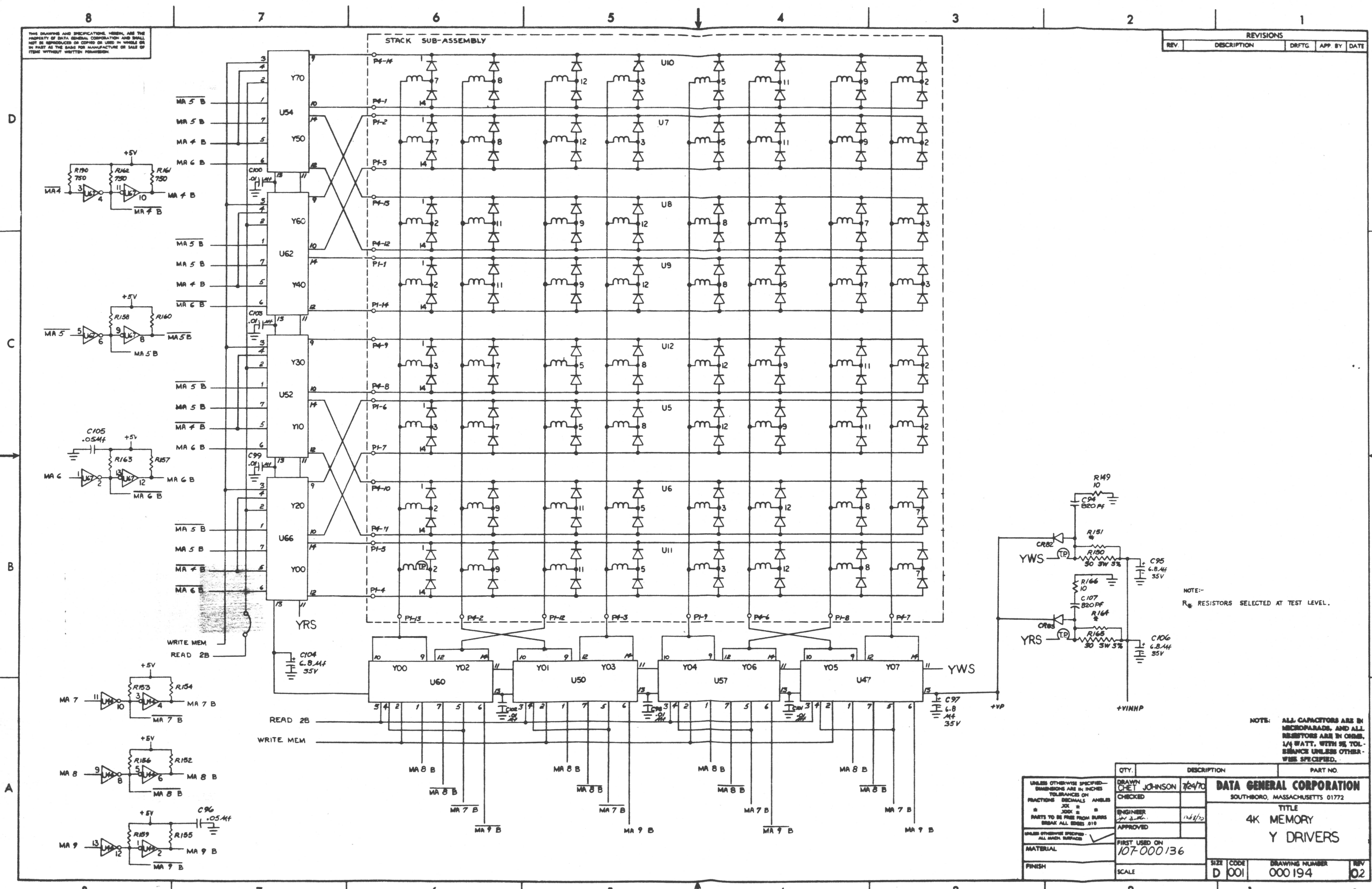
NOTE: ALL CAPACITORS ARE IN MICROFARADS, AND ALL RESISTORS ARE IN OHMS, 1/4 WATT, WITH 5% TOLERANCE UNLESS OTHERWISE SPECIFIED.

QTY.	DESCRIPTION	PART NO.

UNLESS OTHERWISE SPECIFIED— DIMENSIONS ARE IN INCHES TOLERANCES ON FRACTIONS DECIMALS ANGLES X00 ± PARTS TO BE FREE FROM BURRS BREAK ALL EDGES 010	DRAWN CHET JOHNSON 7/24/70 CHECKED ENGINEER J. L. [Signature] 4/14/70 APPROVED FIRST USED ON 107-000136 MATERIAL FINISH	DATA GENERAL CORPORATION SOUTHBORO, MASSACHUSETTS 01772 TITLE 4K MEMORY X DRIVERS SIZE CODE D 001 DRAWING NUMBER 000194 REV 02
--	--	---

THIS DRAWING AND SPECIFICATIONS HEREIN ARE THE PROPERTY OF DATA GENERAL CORPORATION AND SHALL NOT BE REPRODUCED OR COPIED OR USED IN WHOLE OR IN PART AS THE BASIS FOR MANUFACTURE OR SALE OF ITEMS WITHOUT WRITTEN PERMISSION.

REVISIONS				
REV	DESCRIPTION	DRFTG	APP BY	DATE



NOTE:-
R_W RESISTORS SELECTED AT TEST LEVEL.

NOTE: ALL CAPACITORS ARE IN MICROFARADS, AND ALL RESISTORS ARE IN OHMS, 1/4 WATT, WITH 5% TOLERANCE UNLESS OTHERWISE SPECIFIED.

QTY.	DESCRIPTION	PART NO.

UNLESS OTHERWISE SPECIFIED—DIMENSIONS ARE IN INCHES FRACTIONS DECIMALS ANGLES JDK 3004 PARTS TO BE FREE FROM BURRS BREAK ALL EDGES .010	DRAWN: CHET JOHNSON 7/24/70 CHECKED: [] ENGINEER: [] APPROVED: [] FIRST USED ON: 107-000136	DATA GENERAL CORPORATION SOUTHBORO, MASSACHUSETTS 01772 TITLE 4K MEMORY Y DRIVERS
FINISH	SCALE	SIZE CODE: D 001 DRAWING NUMBER: 000194 REV: 02