

REVISIONS				
REV	DESCRIPTION	DRFTG	APP BY	DATE
01	ECO# 1002	R.W.C.	R.W.C.	10/3/72
02	ECO# 1117	R.W.C.	R.W.C.	10/3/72
03	ECO# 1259	R.W.C.	R.W.C.	10/3/72

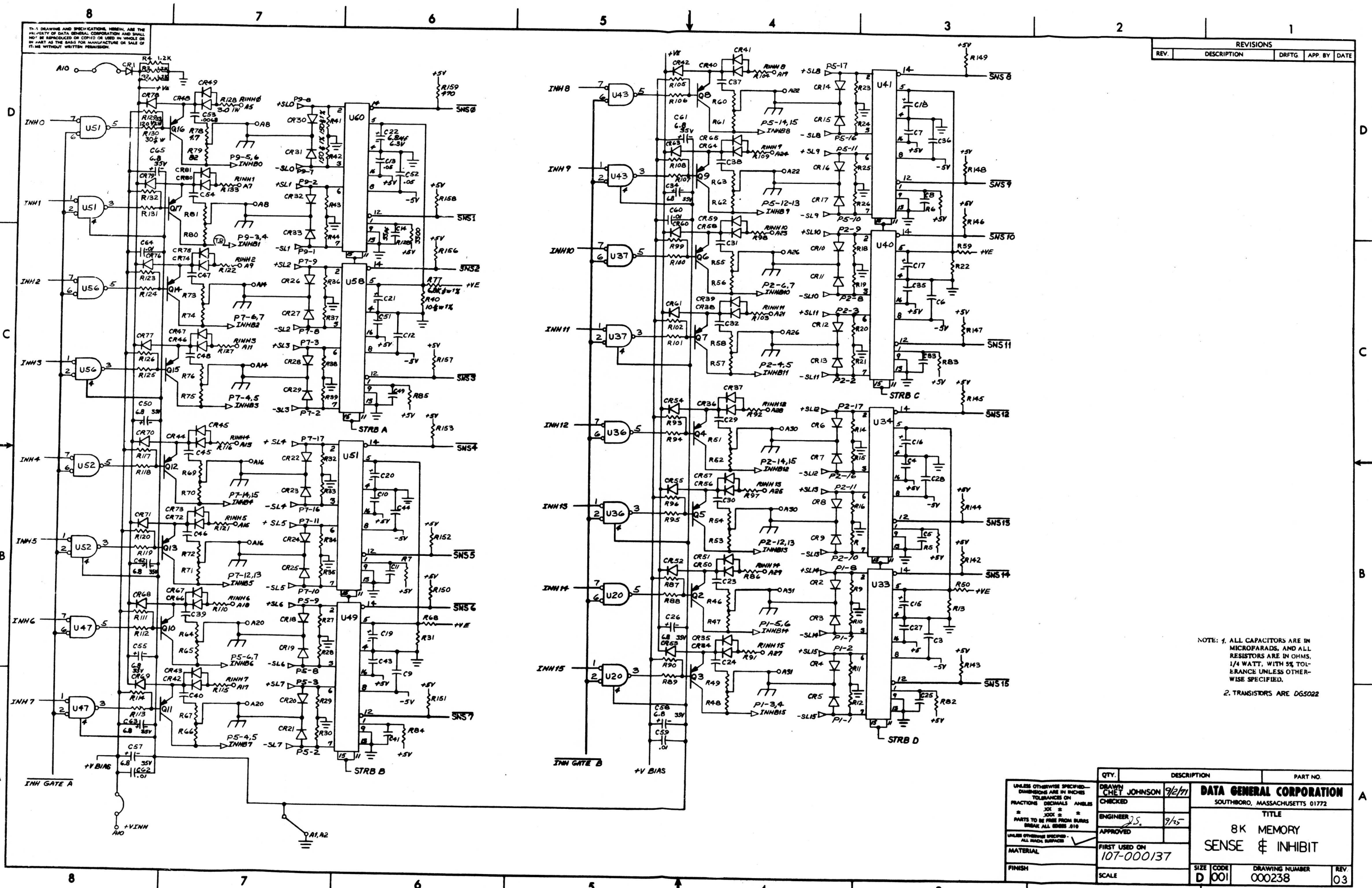
QTY.	DESCRIPTION	PART NO.
	UNLESS OTHERWISE SPECIFIED—DIMENSIONS ARE IN INCHES TOLERANCES ON FRACTIONS DECIMALS ANGLES	
	UNLESS OTHERWISE SPECIFIED—PARTS TO BE FREE FROM BURRS BREAK ALL EDGES .010	
	UNLESS OTHERWISE SPECIFIED—MATERIAL	
	FINISH	
	DRAWN CNET JOHNSON 9/2/72	
	CHECKED	
	ENGINEER	
	APPROVED	
	FIRST USED ON 107-000137	
	SCALE	
	SIZE CODE D 001	DRAWING NUMBER 000238
		REV 03

A

SHEET 1 OF 5

THIS DRAWING AND SPECIFICATIONS, HEREIN, ARE THE PROPERTY OF DATA GENERAL CORPORATION AND SHALL NOT BE REPRODUCED OR COPIED OR USED IN WHOLE OR IN PART AS THE BASIS FOR MANUFACTURE OR SALE OF IT, AS WITHOUT WRITTEN PERMISSION.

REVISIONS				
REV.	DESCRIPTION	DRFTG	APP. BY	DATE



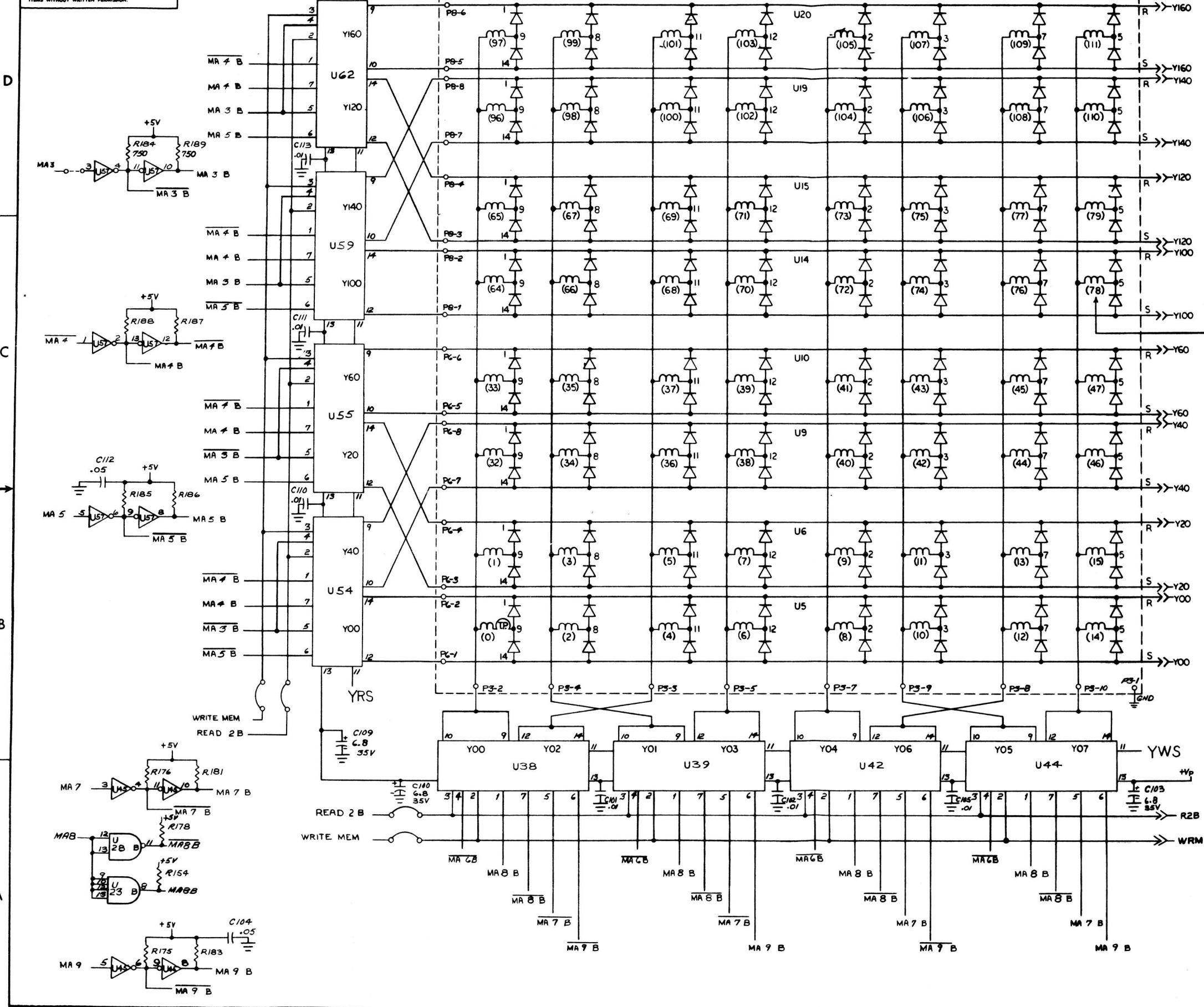
NOTE: 1. ALL CAPACITORS ARE IN MICROFARADS, AND ALL RESISTORS ARE IN OHMS, 1/4 WATT, WITH 5% TOLERANCE UNLESS OTHERWISE SPECIFIED.
2. TRANSISTORS ARE DG5022

UNLESS OTHERWISE SPECIFIED—DIMENSIONS ARE IN INCHES FRACTIONS DECIMALS ANGLES X .001 .01 .05 .1 .2 .5 1 2 5 10 20 50 100 PARTS TO BE FREE FROM BURRS BREAK ALL EDGES .010	QTY.	DESCRIPTION	PART NO.
DRAWN CHET JOHNSON	9/2/71	DATA GENERAL CORPORATION	
CHECKED		SOUTHBORO, MASSACHUSETTS 01772	
ENGINEER J.S.	9/2/71	TITLE	
APPROVED		8K MEMORY SENSE & INHIBIT	
MATERIAL	FIRST USED ON 107-000137	SIZE D	CODE 001
FINISH	SCALE	DRAWING NUMBER 000238	REV. 03

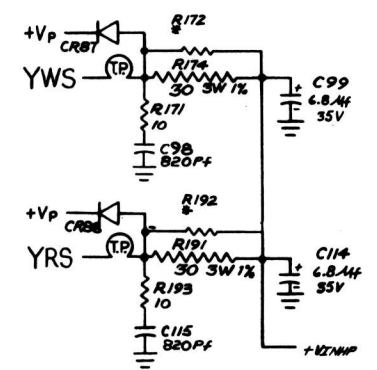
THIS DRAWING AND SPECIFICATIONS HEREIN, ARE THE PROPERTY OF DATA GENERAL CORPORATION AND SHALL NOT BE REPRODUCED OR COPIED OR USED IN WHOLE OR IN PART AS THE BASIS FOR MANUFACTURE OR SALE OF ITEMS WITHOUT WRITTEN PERMISSION.

REVISIONS				
REV.	DESCRIPTION	DRFTG.	APP. BY	DATE

STACK SUB-ASSEMBLY



NOTE 2



NOTE:
 R_s
 1. RESISTORS SELECTED AT TEST LEVEL.
 2. FOR STACK VENDOR USE ONLY.
 S=SOURCE
 R=RETURN

NOTE: ALL CAPACITORS ARE IN MICROFARADS, AND ALL RESISTORS ARE IN OHMS, 1/4 WATT, WITH 5% TOLERANCE UNLESS OTHERWISE SPECIFIED.

QTY.	DESCRIPTION	PART NO.

UNLESS OTHERWISE SPECIFIED—DIMENSIONS ARE IN INCHES FRACTIONS DECIMALS ANGLES * JODI *	DRAWN CHET JOHNSON 9/3/71	DATA GENERAL CORPORATION SOUTHBORO, MASSACHUSETTS 01772
UNLESS OTHERWISE SPECIFIED—ALL HOLE SURFACES	CHECKED	
	ENGINEER J.S. 9/25	TITLE 8K MEMORY Y DRIVERS
	APPROVED	FIRST USED ON 107-000137
MATERIAL		SIZE CODE D 001
FINISH		DRAWING NUMBER 000238
	SCALE	REV 03

