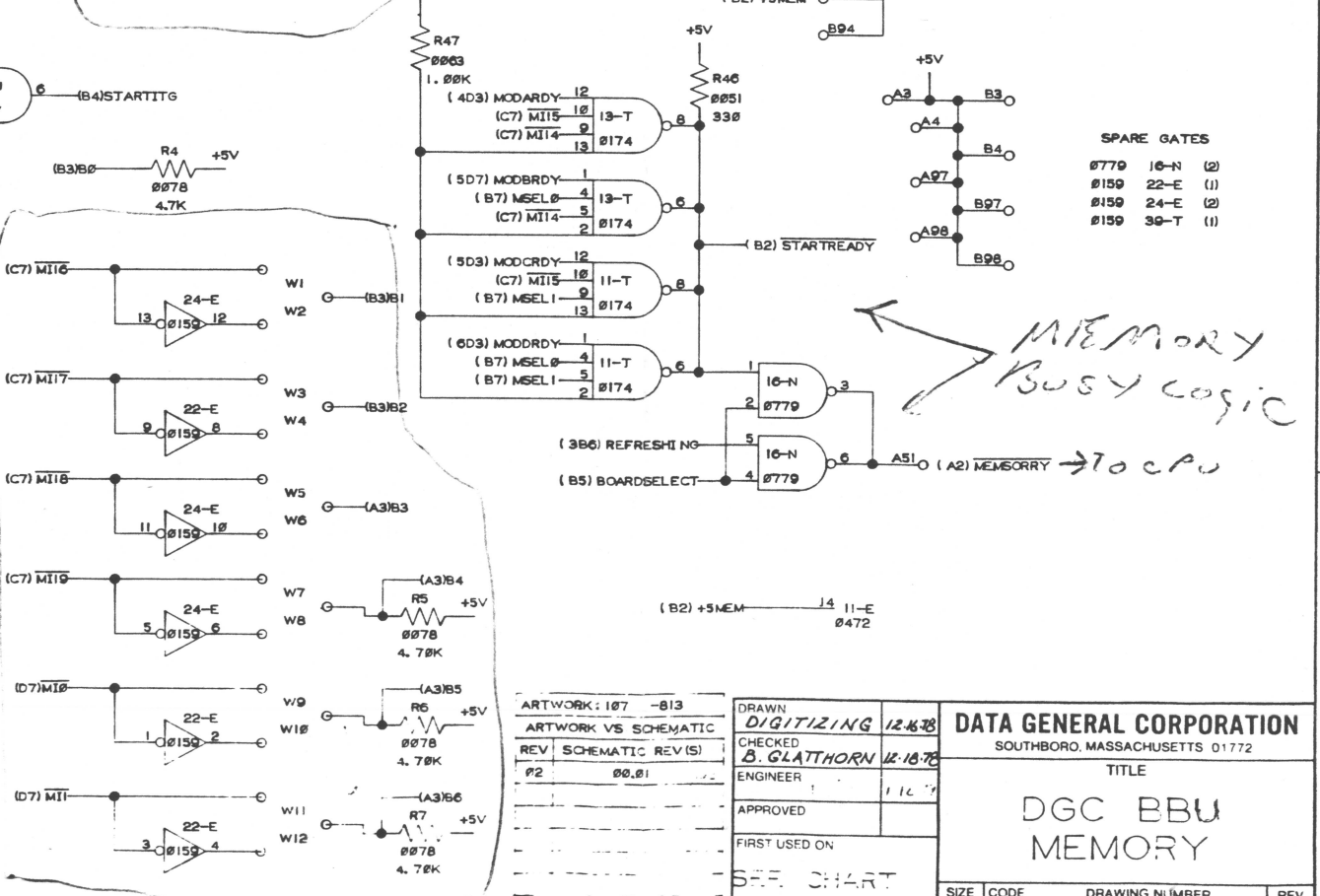
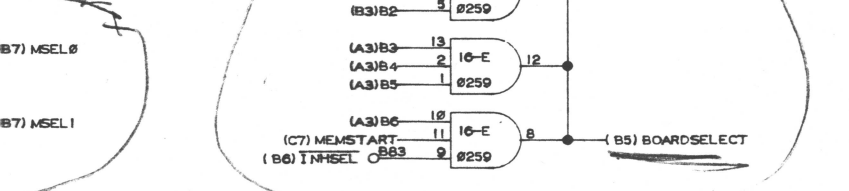
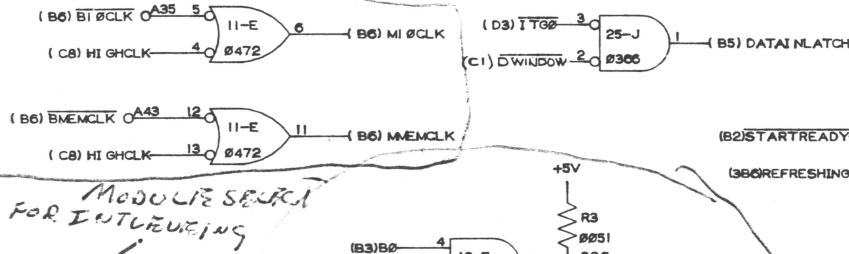
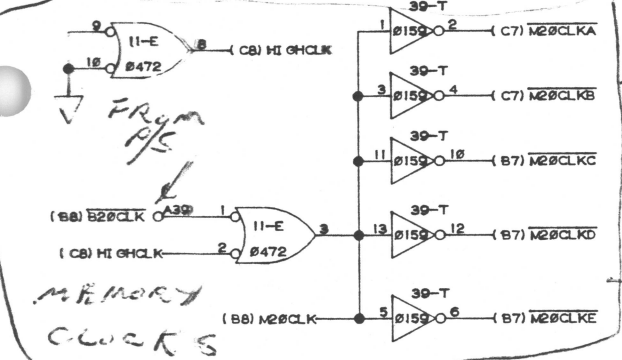
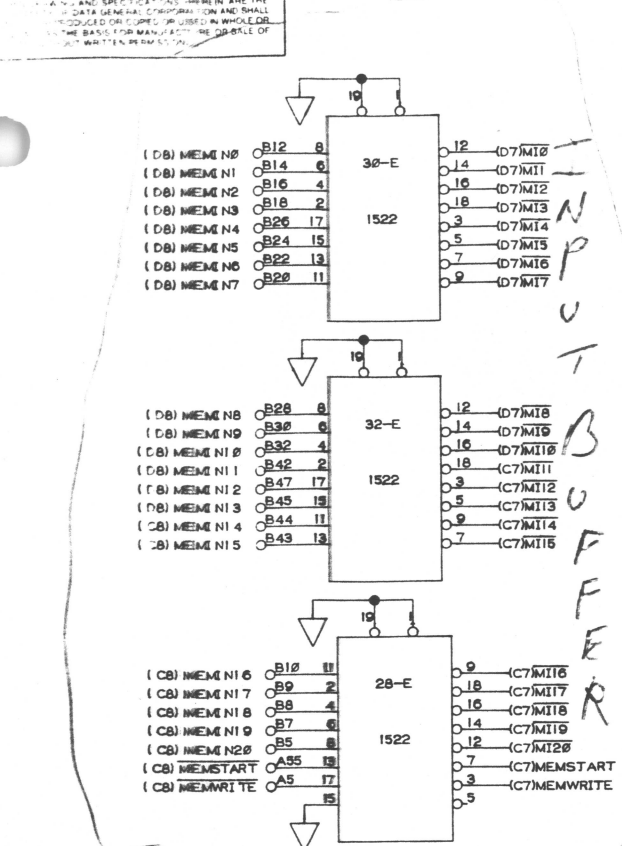
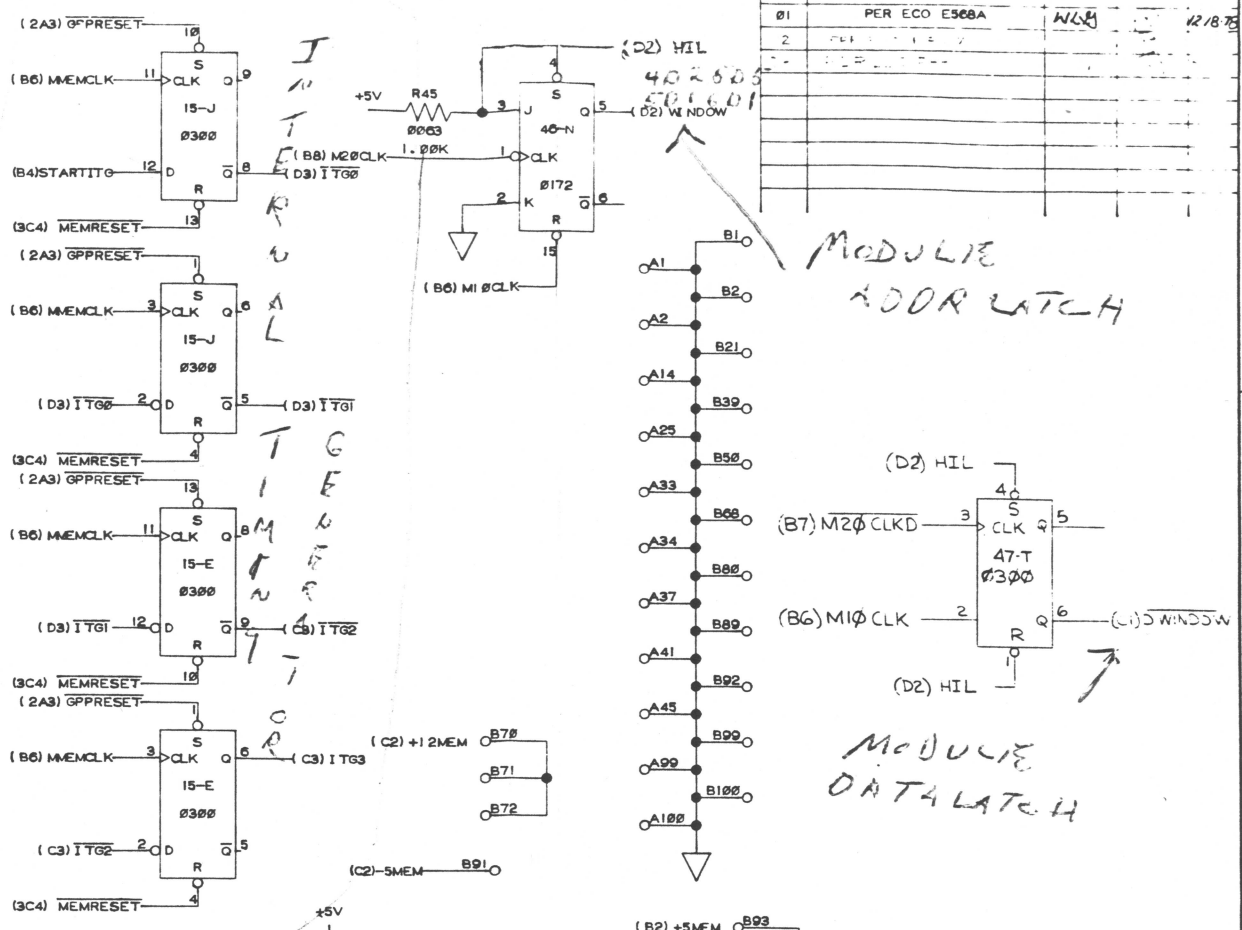
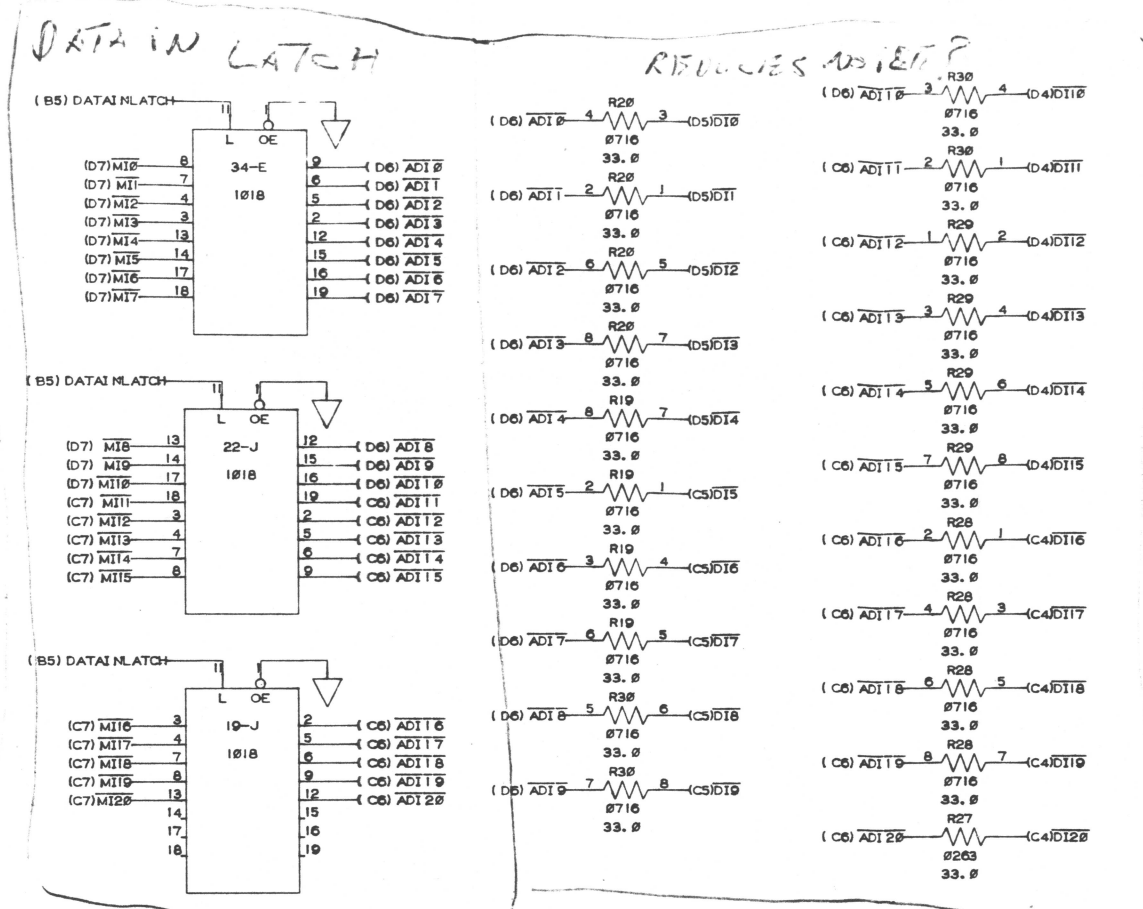


REVISIONS			
REV	DESCRIPTION	DRFTG	APP BY / DATE
00	RLSD PER ECO E547		
01	PER ECO E568A	NLS	12/8/75
02			



ASSEMBLY	TESTED-005012128 UNTESTED-005012129 (8K X 16 BIT)	TESTED-005012130 UNTESTED-005012131 (8K ECC)	TESTED-005012132 UNTESTED-005012133 (32K X 16 BIT)	TESTED-005012134 UNTESTED-005012135 (32K ECC)	TESTED-005012136 UNTESTED-005012137 (64K X 16 BIT)	TESTED-005012138 UNTESTED-005012139 (64K ECC)	TESTED-005012140 UNTESTED-005012141 (128K X 16 BIT)	TESTED-005012142 UNTESTED-005012143 (128K ECC)
INSTALL THESE DUMMY RESISTORS ONLY	R10, R12, R43	R1, R16, R12, R43	R10, R12, R16, R43	R1, R10, R12, R16, R43	R9, R11, R15, R41	R1, R9, R11, R15, R41	R9, R11, R15, R41	R1, R9, R11, R15, R16, R41
DO NOT INSTALL	R28, 8-E, 2-J, 3-J, 19-J, 2-O, 3-O, 5-T, 7-T		R28, 8-E, 2-J, 3-J, 19-J, 2-O, 3-O, 5-T, 7-T		R28, 8-E, 2-J, 3-J, 19-J, 2-O, 3-O, 5-T, 7-T		R28, 8-E, 2-J, 3-J, 19-J, 2-O, 3-O, 5-T, 7-T	
DO NOT INSTALL ALL COMPONENTS ON PAGES	9,11,13,15	9,11,13,15			9,11,13,15	9,11,13,15		
DO NOT INSTALL THE COMPONENTS ENCLOSED IN SOLID LINES ON PAGES	8,10,12,14		8,9,10,11, 12,13,14,15		8,10,12,14		8,9,10,11, 12,13,14,15	
ALL RAMS HAVE PART NO.	100-1250	100-1250	100-1250	100-1250	100-1100	100-1100	100-1100	100-1100

ARTWORK: 107 -813
 ARTWORK VS SCHEMATIC CHECKED
 REV SCHEMATIC REV (S)
 02 00.01

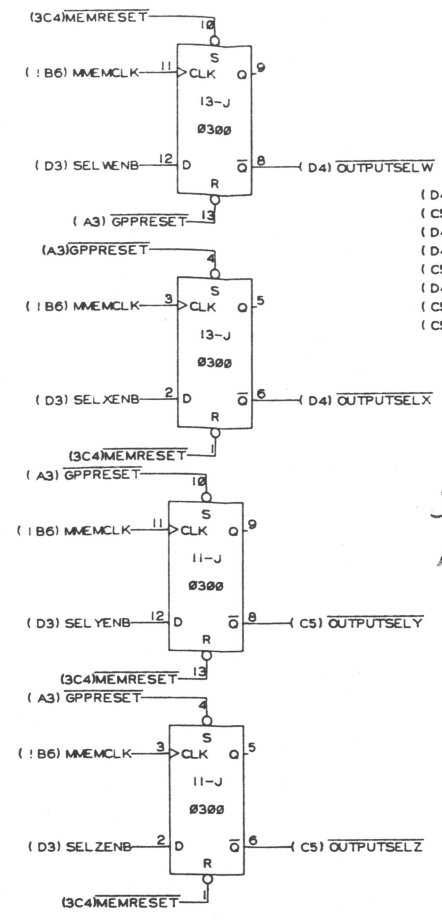
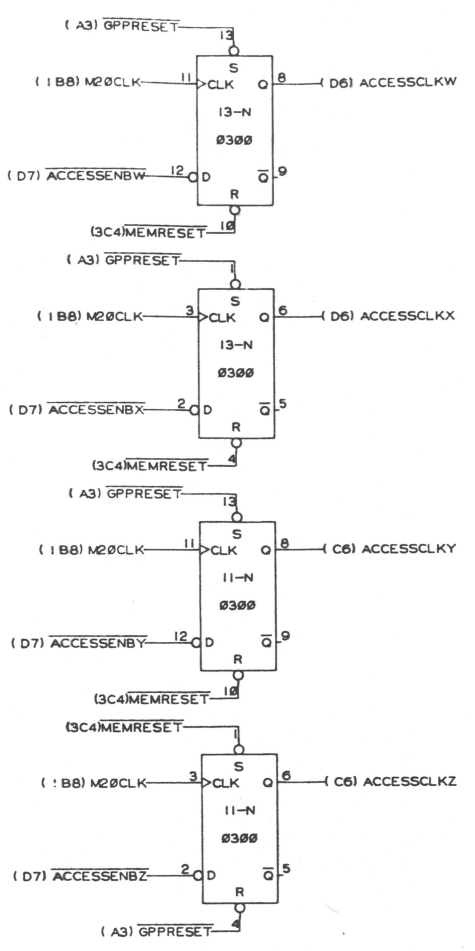
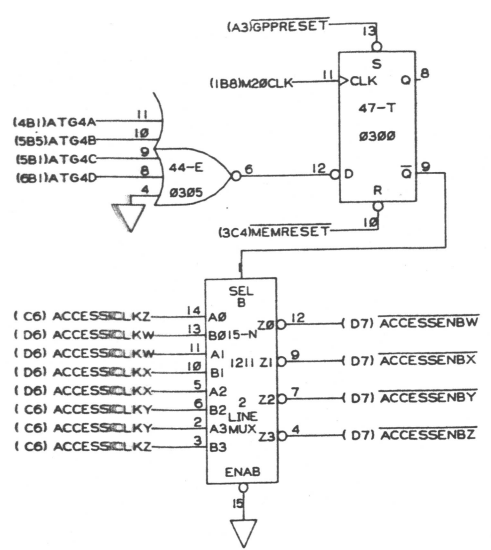
DRAWN DIGITIZING 12-8-75
 CHECKED B. GLATTORN 12-10-75
 ENGINEER
 APPROVED
 FIRST USED ON
 SEE CHART

DATA GENERAL CORPORATION
 SOUTH BORO, MASSACHUSETTS 01772
 TITLE
 DGC BBU MEMORY
 SIZE CODE DRAWING NUMBER REV
 D 001001229 03

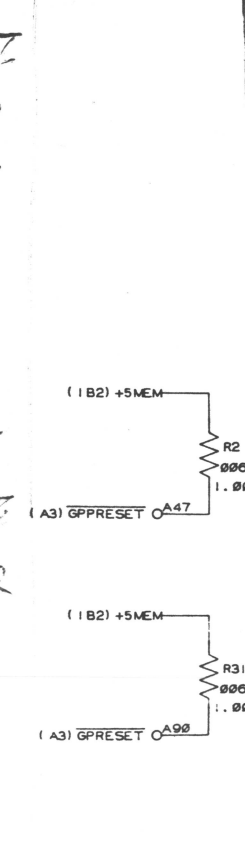
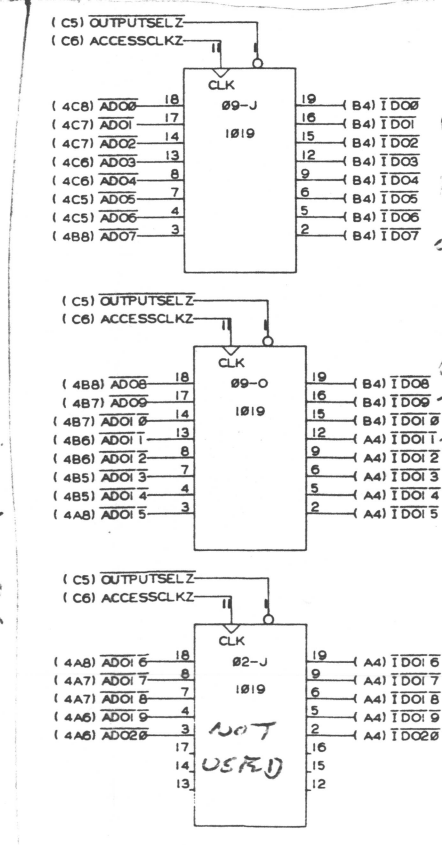
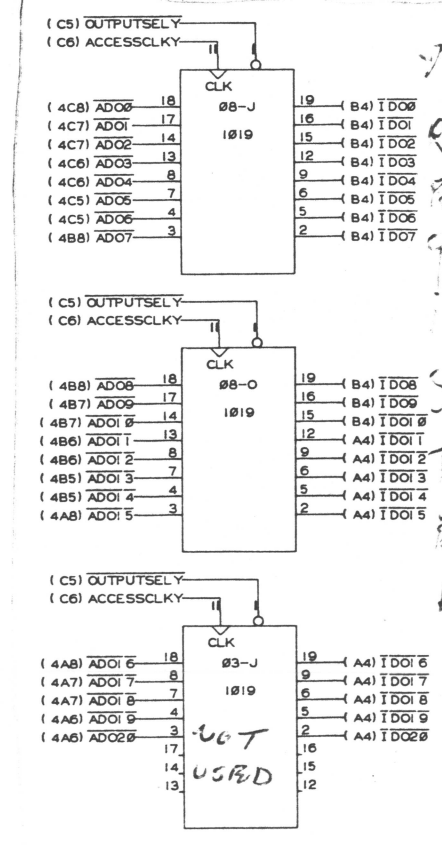
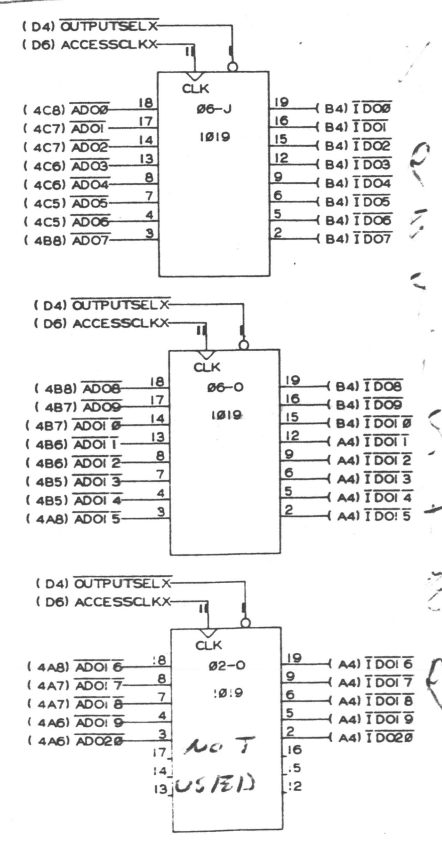
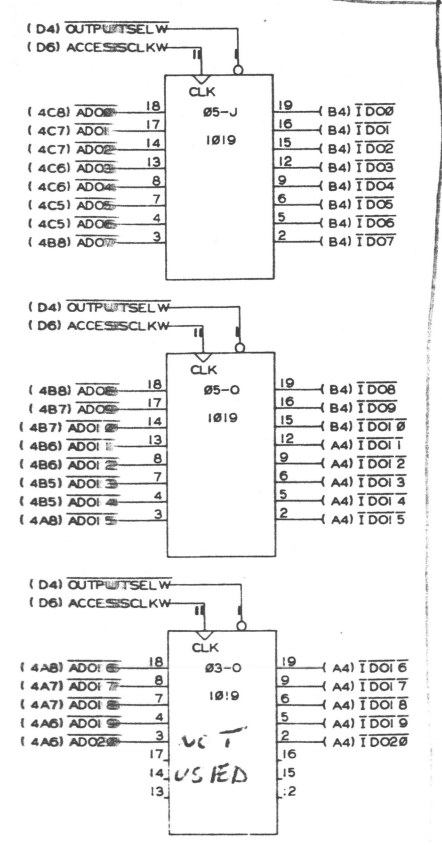
DRAWINGS AND SPECIFICATIONS HEREIN ARE THE PROPERTY OF DATA GENERAL CORPORATION AND SHALL NOT BE REPRODUCED OR TRANSMITTED IN ANY FORM OR BY ANY MEANS, ELECTRONIC OR MECHANICAL, INCLUDING PHOTOCOPYING, RECORDING, OR BY ANY INFORMATION STORAGE AND RETRIEVAL SYSTEM, WITHOUT WRITTEN PERMISSION.

REVISONS			
REV	DESCRIPTION	DRFTG	APP BY DATE

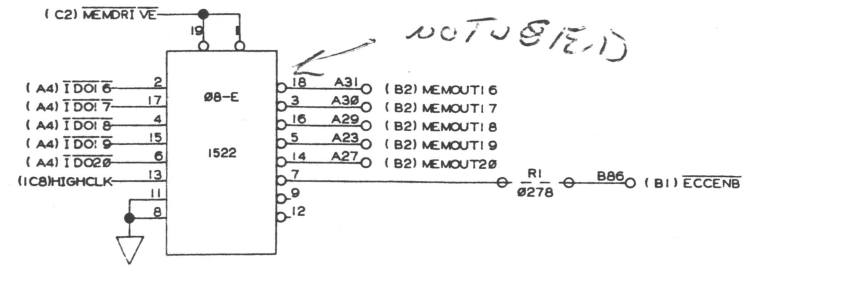
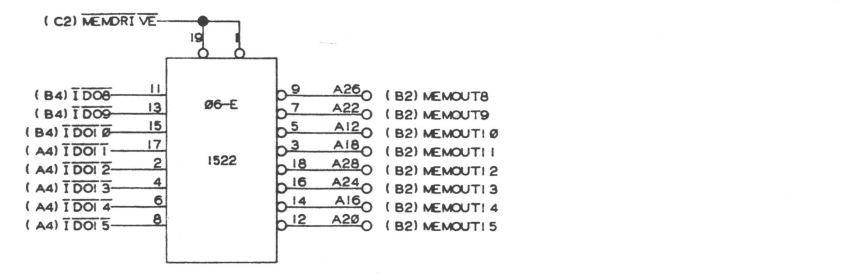
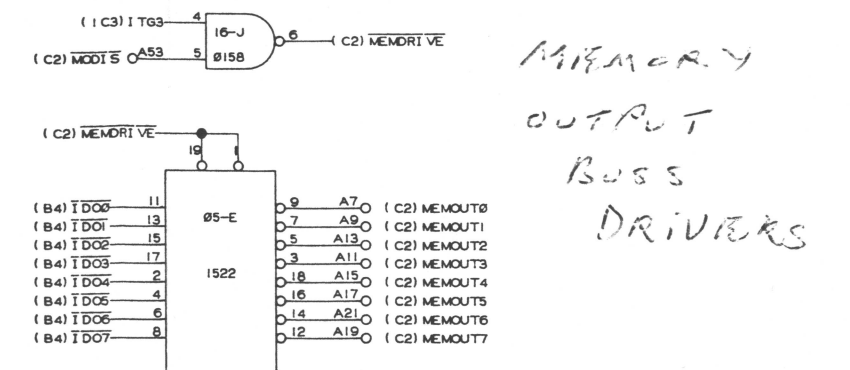
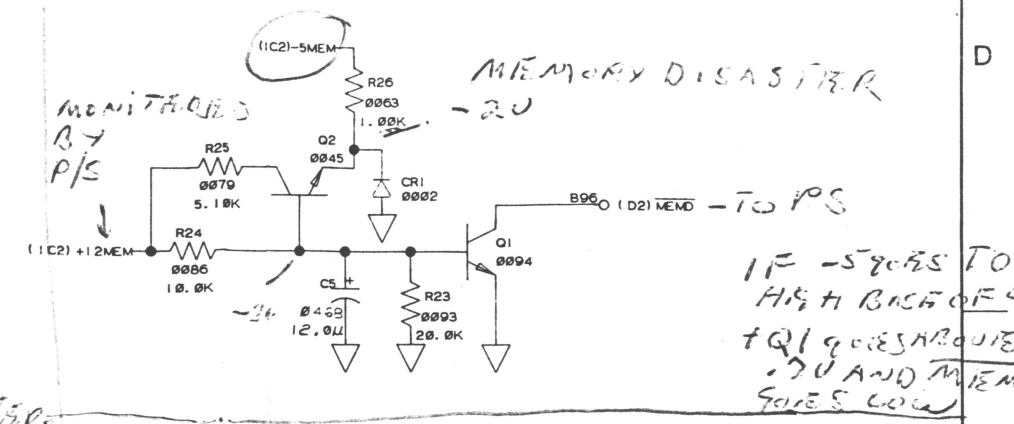
SEQUENTIAL REGISTERS ACCESS CONTROL W, X, Y, Z



SEQUENTIAL REGISTERS READ OUT CONTROL W, X, Y, Z



-5 VOLTAGE MONITOR



DRAWN		DATA GENERAL CORPORATION SOUTH BORD, MASSACHUSETTS 01772 TITLE DGC BBU MEMORY
CHECKED		
ENGINEER		
APPROVED		
FIRST USED ON		SIZE CODE DRAWING NUMBER D 001001229 03

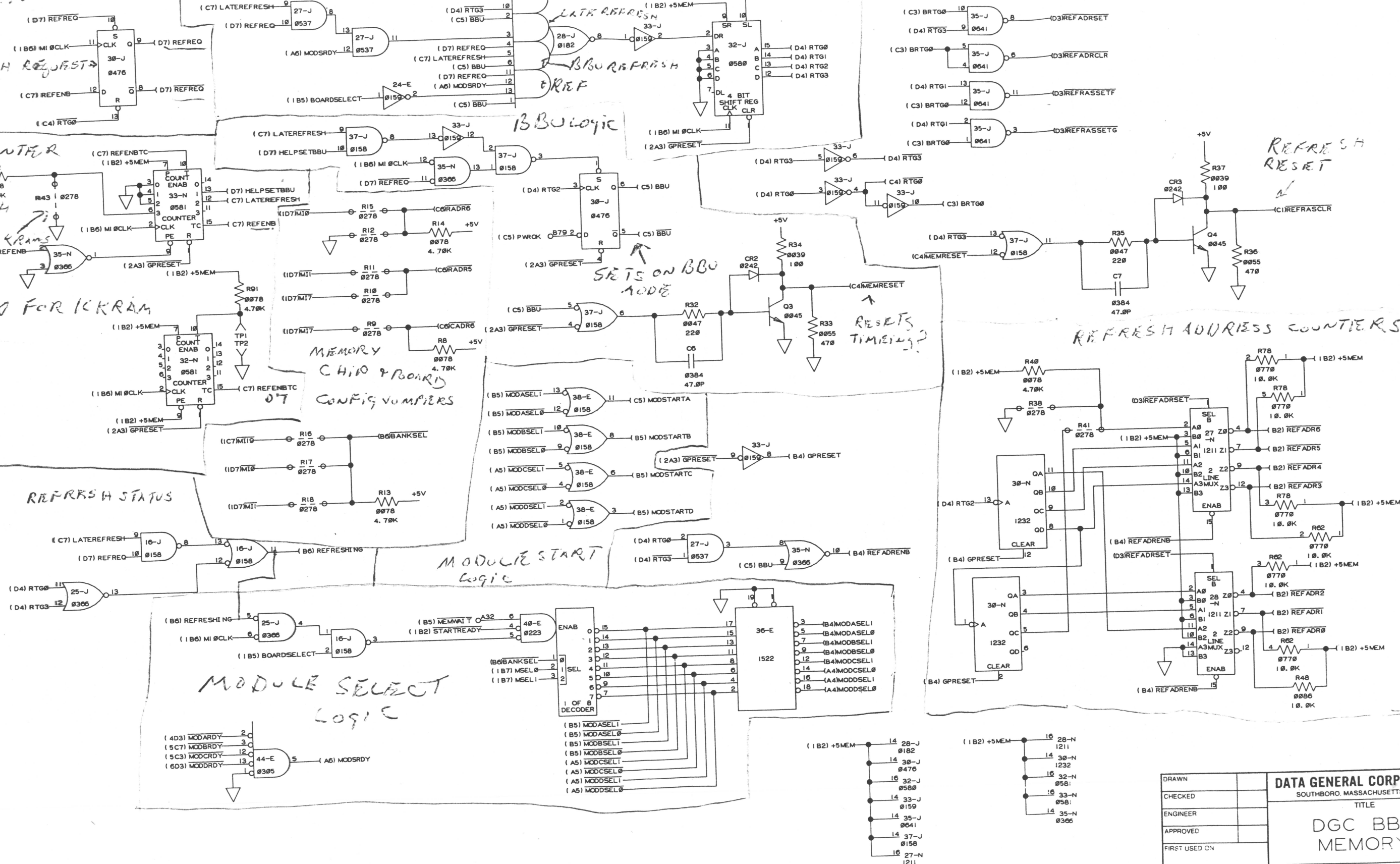
D
C
B
A

ALL DIMENSIONS AND SPECIFICATIONS HEREIN ARE THE PROPERTY OF DATA GENERAL CORPORATION AND SHALL BE REPRODUCED OR COPIED OR USED IN WHOLE OR IN PART AS THE BASIS FOR MANUFACTURE OR SALE OF THIS PRODUCT WITHOUT WRITTEN PERMISSION

REVISIONS			
REV	DESCRIPTION	DRFTG	APP BY

REFRESH TIMING GENERATOR

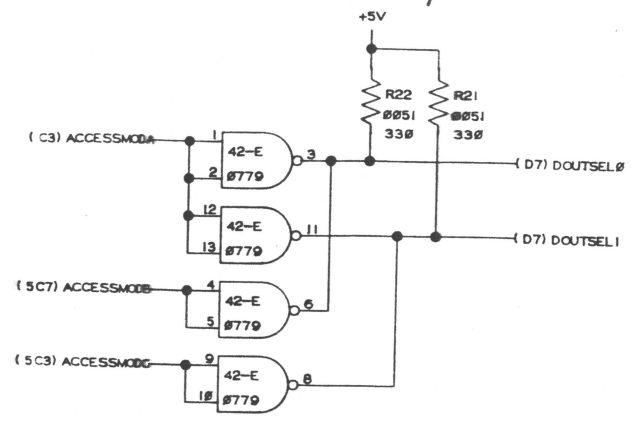
KEEPS HIGHTIMES IN 32V UNTIL RTG3 (C3) BRTG0
PARALLEL LOADS COUNTERS w/ ZERRES



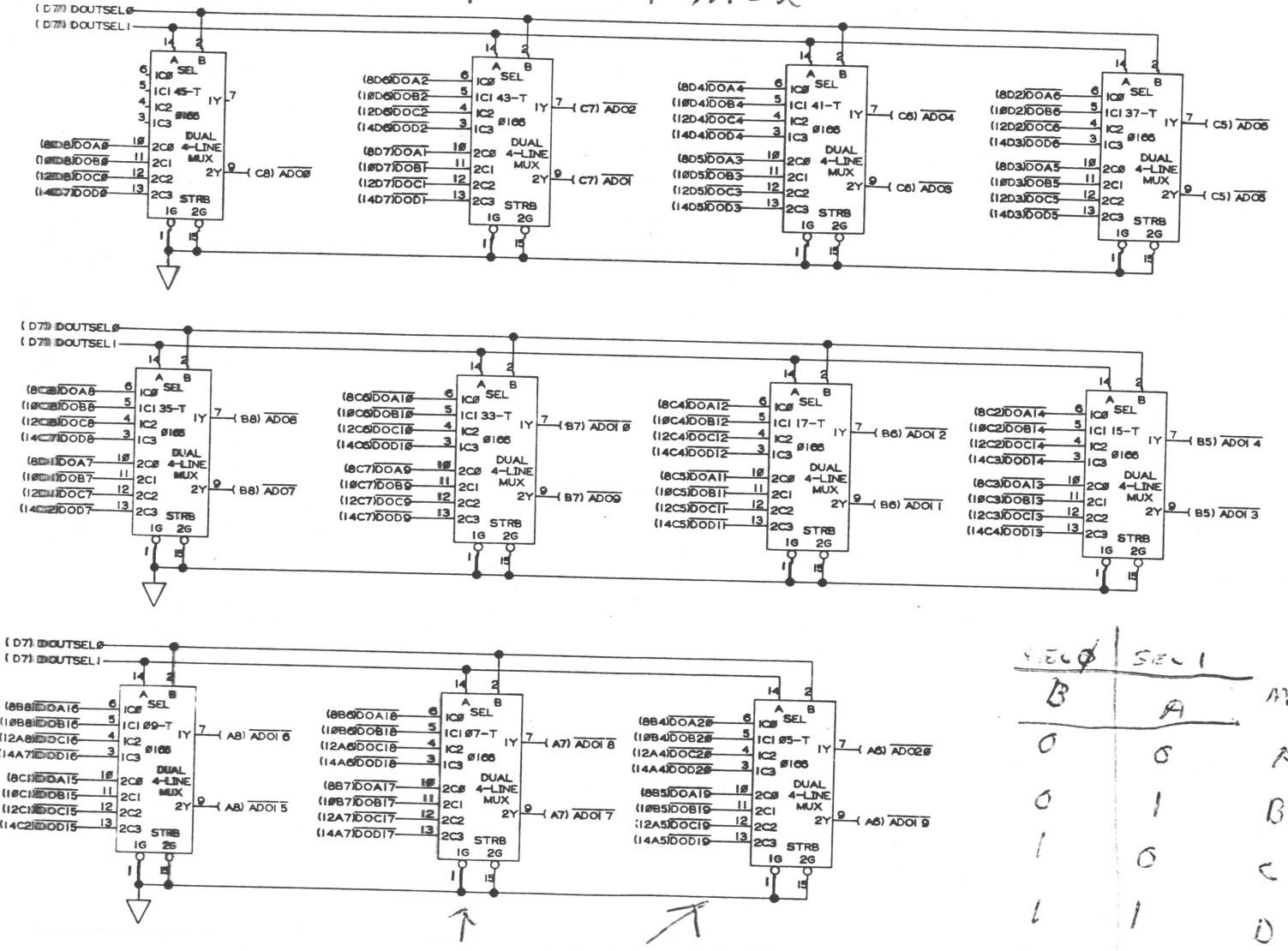
DRAWN		DATA GENERAL CORPORATION	
CHECKED		SOUTHBORO, MASSACHUSETTS 01772	
ENGINEER		TITLE	
APPROVED		DGC BBU MEMORY	
FIRST USED ON		SIZE	CODE
		D	001001229

ALL DIMENSIONS AND SPECIFICATIONS HEREIN ARE THE PROPERTY OF DATA GENERAL CORPORATION AND SHALL BE KEPT IN CONFIDENCE FOR THE EXCLUSIVE USE OF THE BUYER. NO REPRODUCTION, MANUFACTURE OR SALE OF THIS DRAWING IS PERMITTED WITHOUT PERMISSION.

4 TO 1 MUX SELECT LOGIC



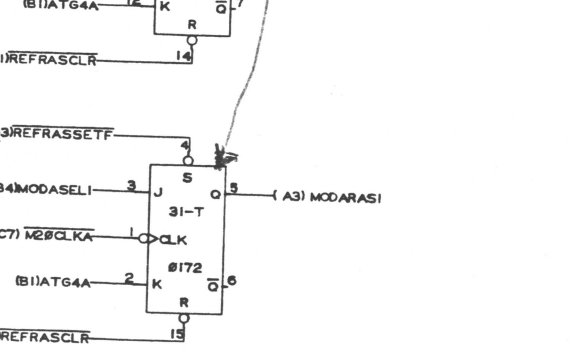
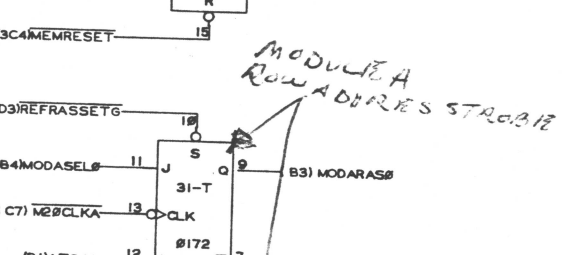
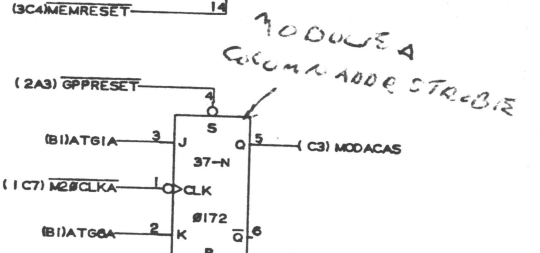
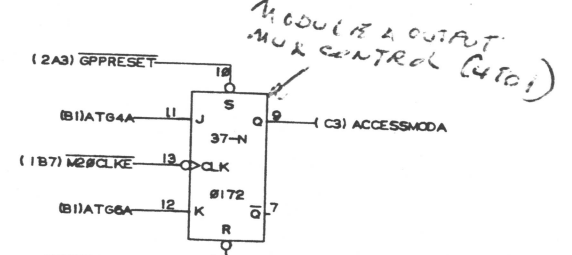
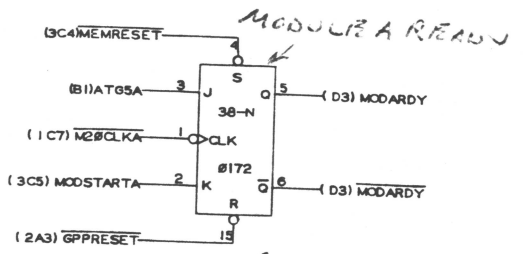
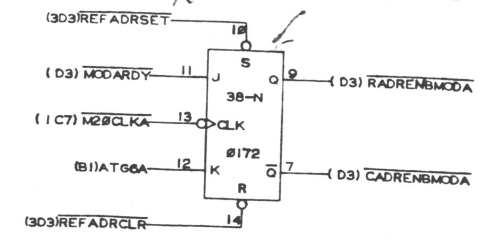
4 TO 1 OUTPUT MUX



NOT USED ON MODA4

SEL0	SEL1	MOD
0	0	A
0	1	B
1	0	C
1	1	D

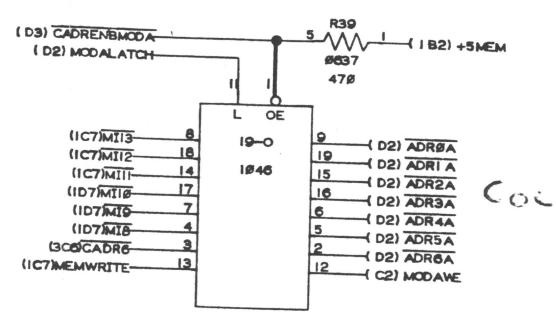
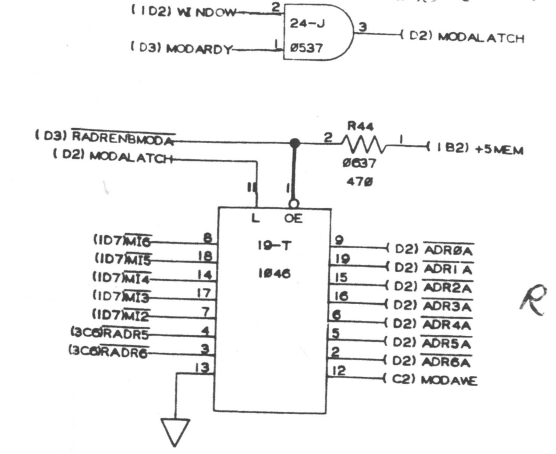
MODULE A ROW & COLUMN ADDRESS



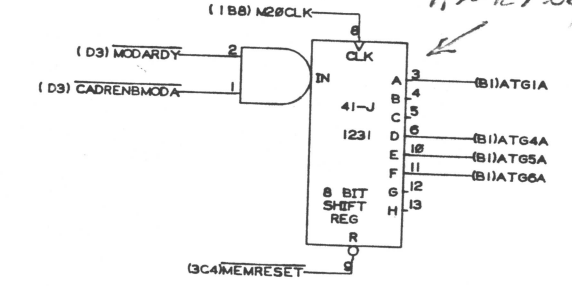
(B2) +5MEM 16 31-T #172

REVISIONS			
REV	DESCRIPTION	DRFTG	APP BY

MODULE A ADDRESSING



MOD A TIMING GENERATOR



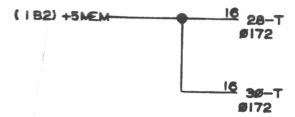
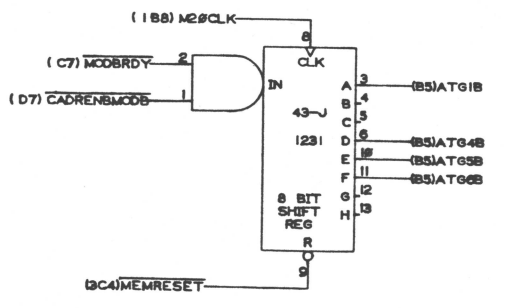
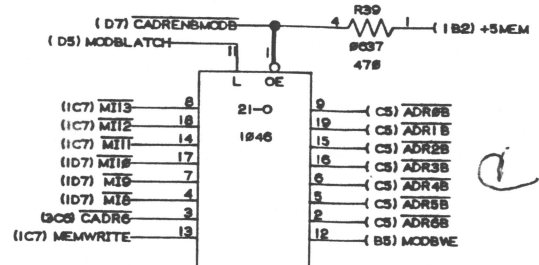
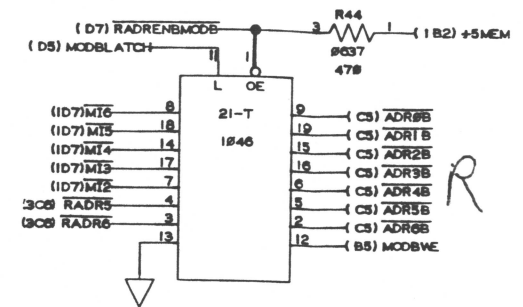
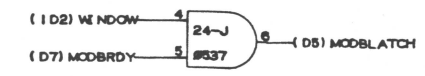
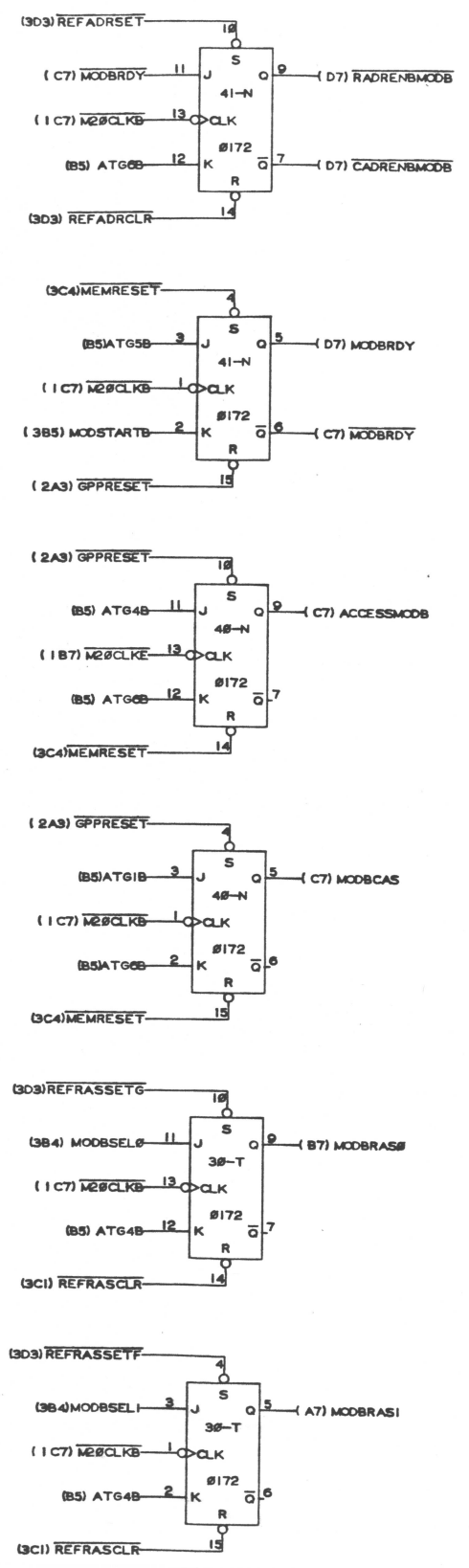
DRAWN	
CHECKED	
ENGINEER	
APPROVED	
FIRST USED ON	

DATA GENERAL CORPORATION
SOUTHBORO, MASSACHUSETTS 01772
TITLE
DGC BBU MEMORY

SIZE CODE DRAWING NUMBER
D 001001229 03

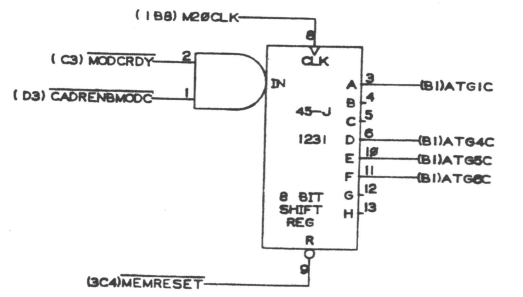
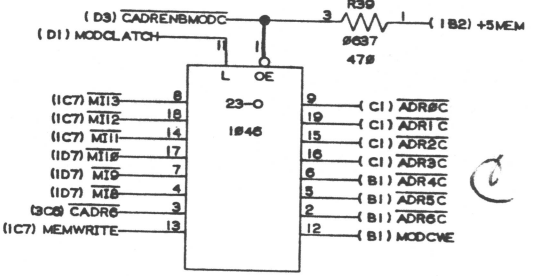
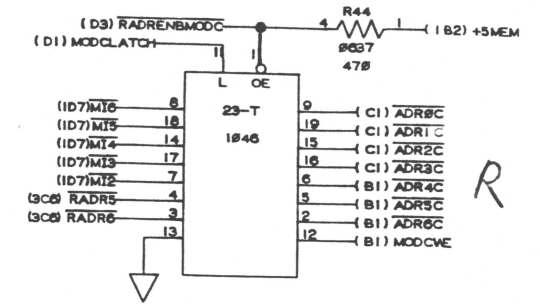
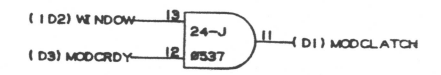
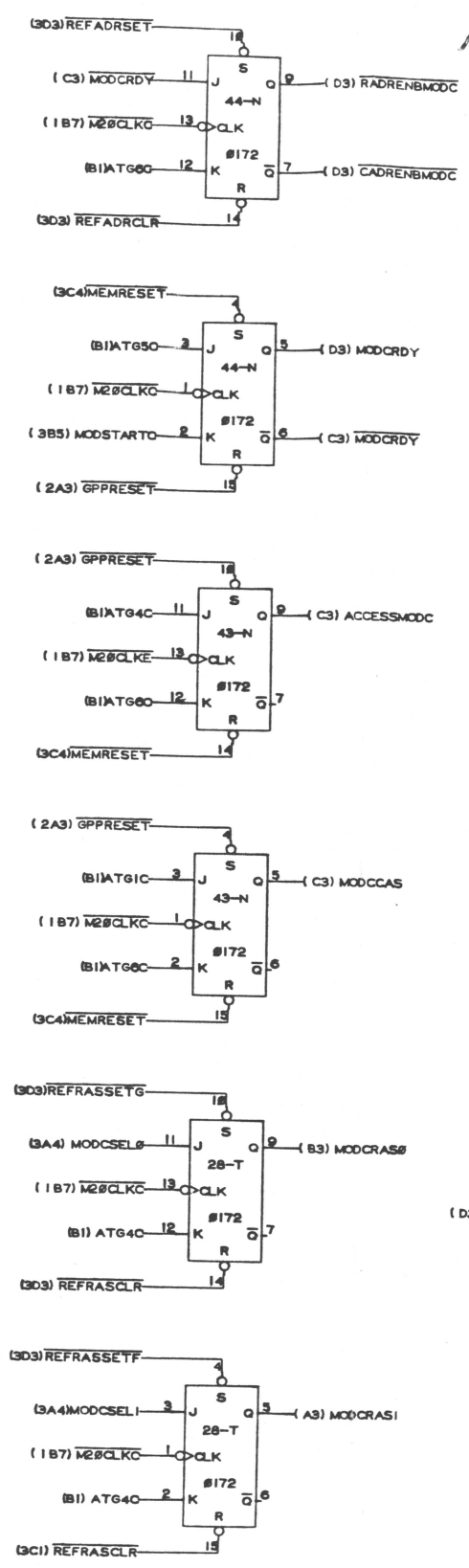
THE INFORMATION AND SPECIFICATIONS HEREIN ARE THE PROPERTY OF DATA GENERAL CORPORATION AND SHALL NOT BE REPRODUCED OR COPIED OR USED IN WHOLE OR IN PART AS THE BASIS FOR MANUFACTURE OR SALE OF PRODUCTS WITHOUT WRITTEN PERMISSION

MODULE B



REVISIONS				
REV	DESCRIPTION	DRFTG	APP BY	DATE

MODULE C

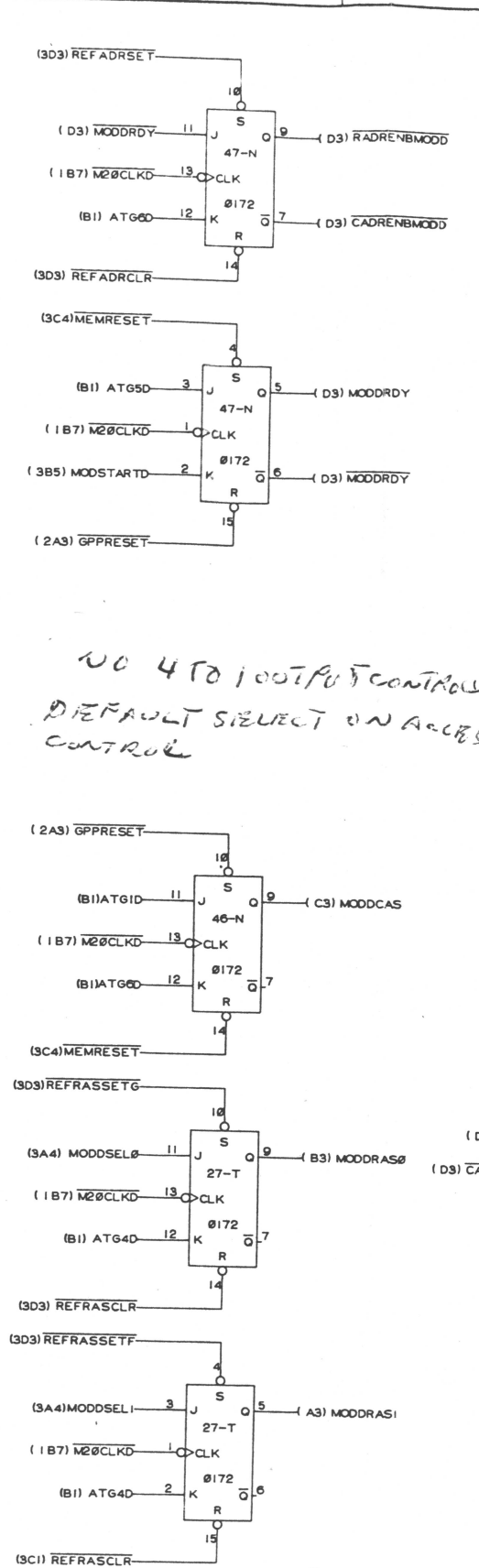
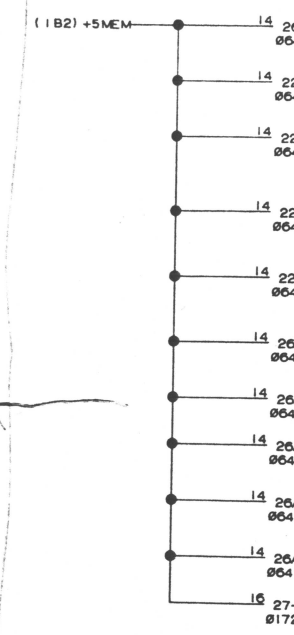
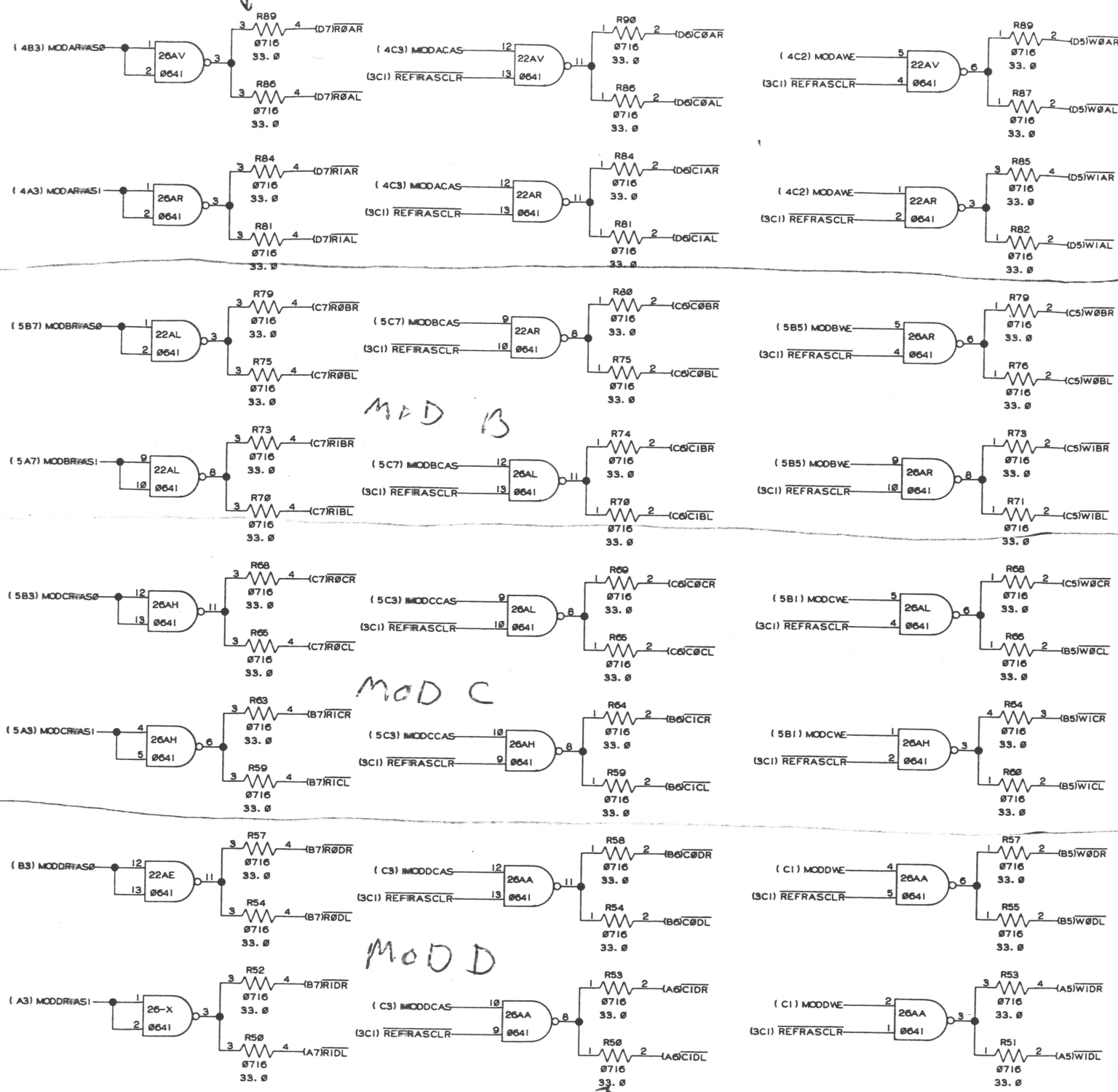


DRAWN		DATA GENERAL CORPORATION SOUTHBORO, MASSACHUSETTS 01772 TITLE DGC BBU MEMORY
CHECKED		
ENGINEER		
APPROVED		
FIRST USED ON		SIZE D CODE 001001229 RE 03 SHEET 5 of 8

THIS DRAWING AND SPECIFICATIONS HEREIN ARE THE PROPERTY OF DATA GENERAL CORPORATION AND SHALL NOT BE REPRODUCED OR COPIED IN WHOLE OR IN PART AS THE BASIS FOR MANUFACTURE OR SALE OF ITEMS WITHOUT WRITTEN PERMISSION

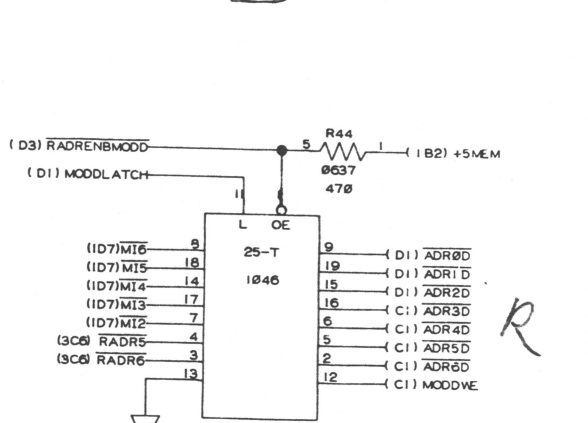
ROW ADDR STRUB MOD A

R = RIGHT SIDE OF BOARD = B SIDE
L = LEFT SIDE OF BOARD = A SIDE

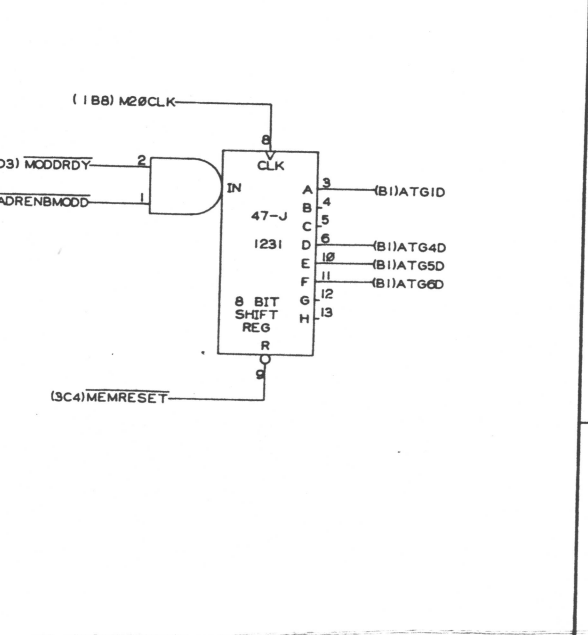
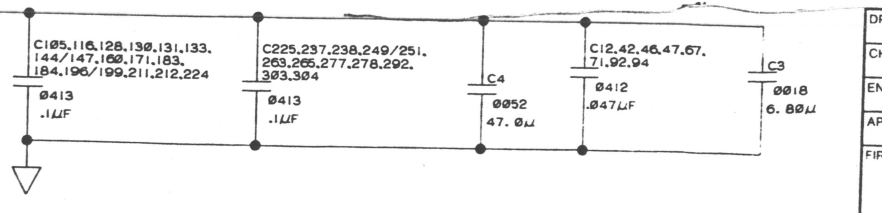
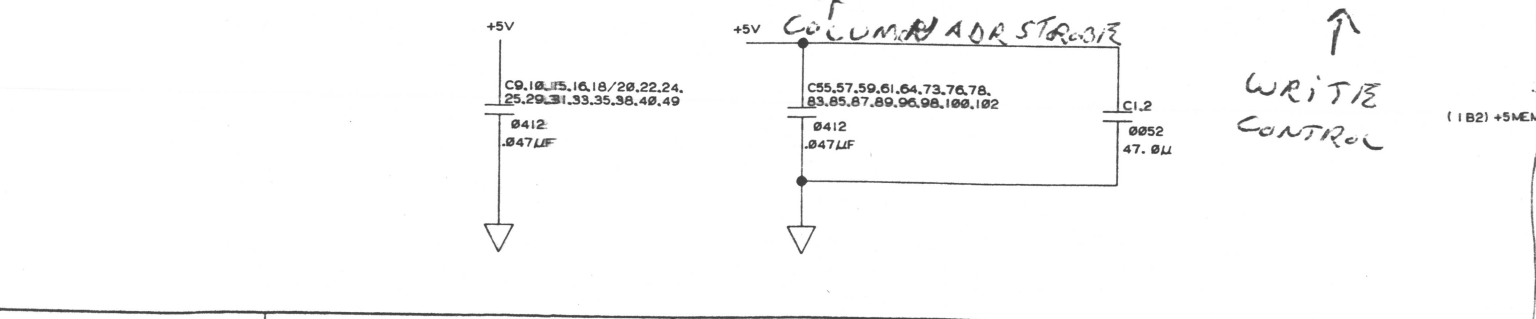
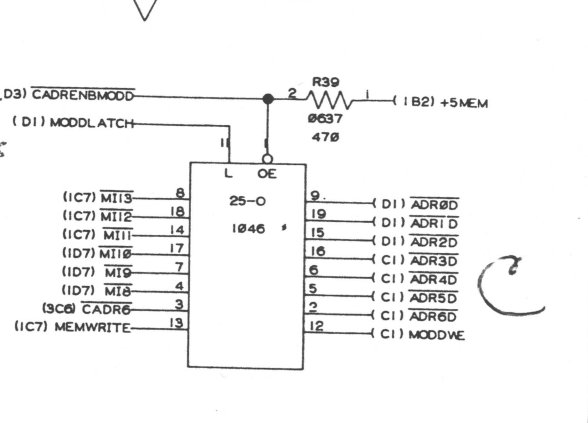


REVISIONS

REV	DESCRIPTION	DRFTG	APP BY	DATE



NO 4 TO 100% CONTROL
DEFAULT SELECT ON ADDRESS CONTROL



DRAWN

CHECKED	
ENGINEER	
APPROVED	
FIRST USED ON	

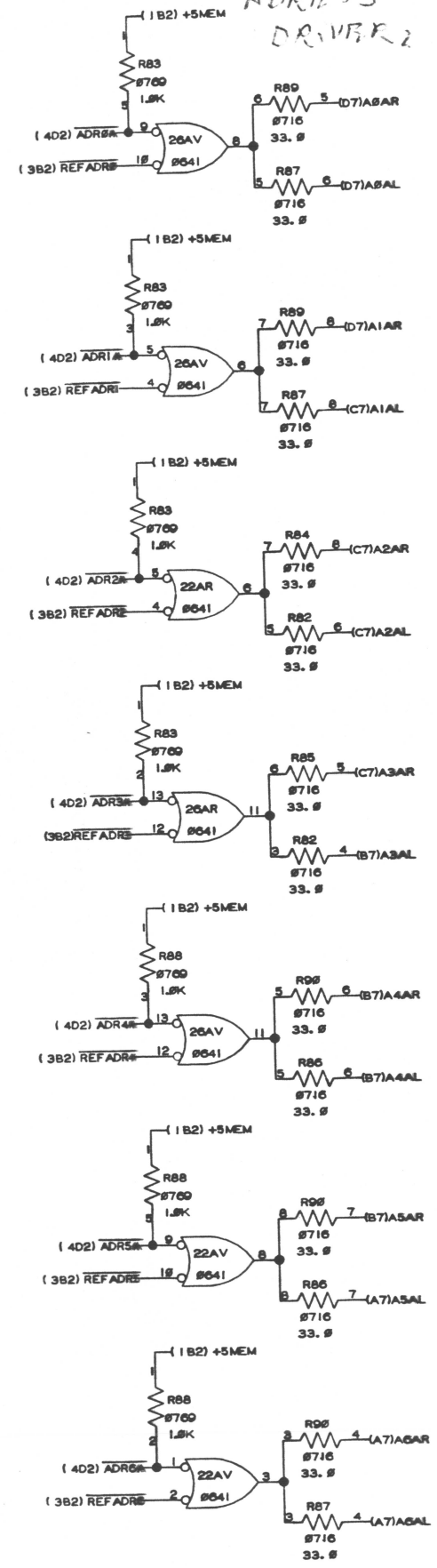
DATA GENERAL CORPORATION
SOUTHBORO, MASSACHUSETTS 01172

TITLE
DGC BBU
MEMORY

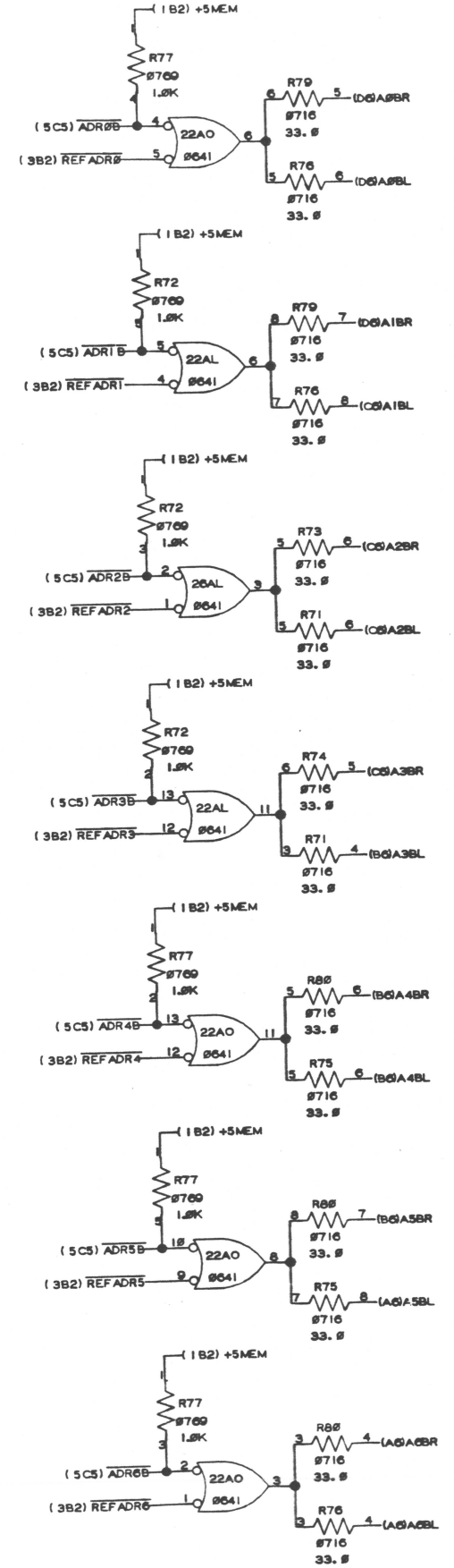
SIZE CODE 00100122903
DRAWING NUMBER
REV

REVISIONS			
REV	DESCRIPTION	DRFTG	APP BY DATE

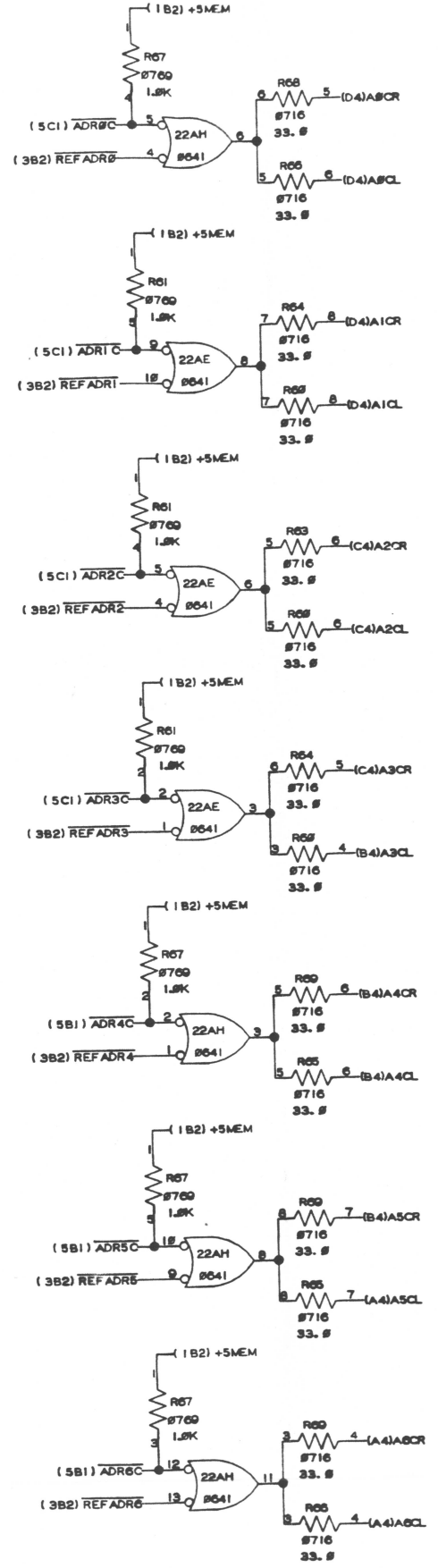
MOD A ADDRESS DRIVER 2



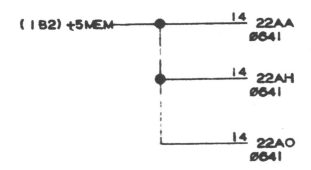
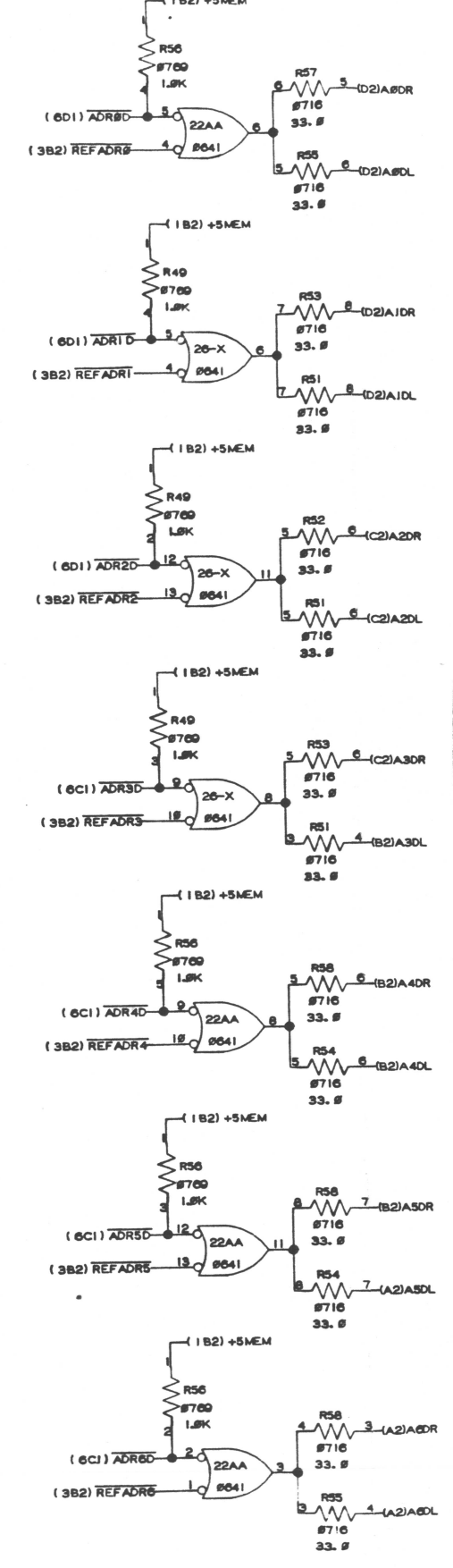
MODULE B



MODULE C



MODULE D



DRAWN	
CHECKED	
ENGINEER	
APPROVED	
FIRST USED ON	

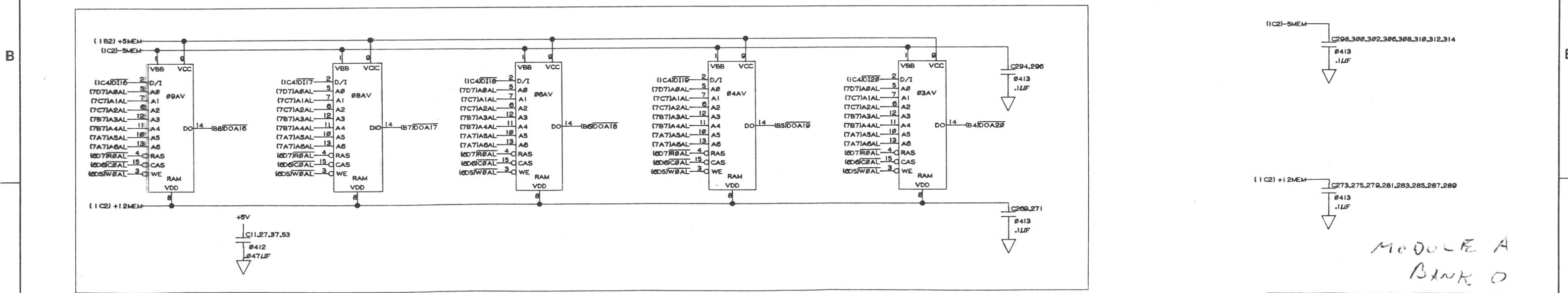
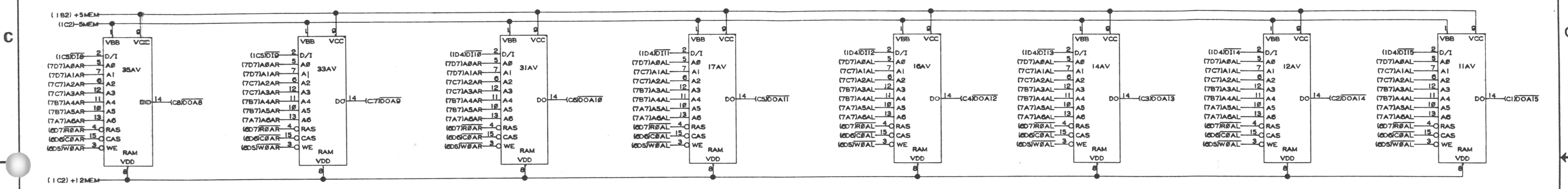
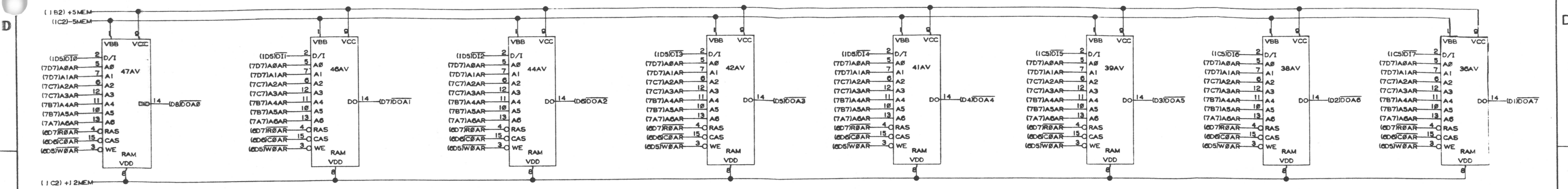
DATA GENERAL CORPORATION
SOUTHBORO, MASSACHUSETTS 01772

TITLE
DGC BBU MEMORY

SIZE	CODE	DRAWING NUMBER	REV
D		001001229	03

ALL DIMENSIONS AND SPECIFICATIONS HEREIN ARE THE PROPERTY OF DATA GENERAL CORPORATION AND SHALL BE USED ONLY FOR THE PURPOSES AND IN THE MANNER OR IN CONNECTION WITH THE MANUFACTURE OR SALE OF PRODUCTS AS SPECIFIED BY DATA GENERAL CORPORATION IN WRITTEN PERMISSION.

REVISIONS				
REV	DESCRIPTION	DRFTG	APP BY	DATE

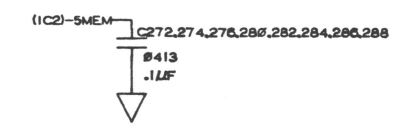
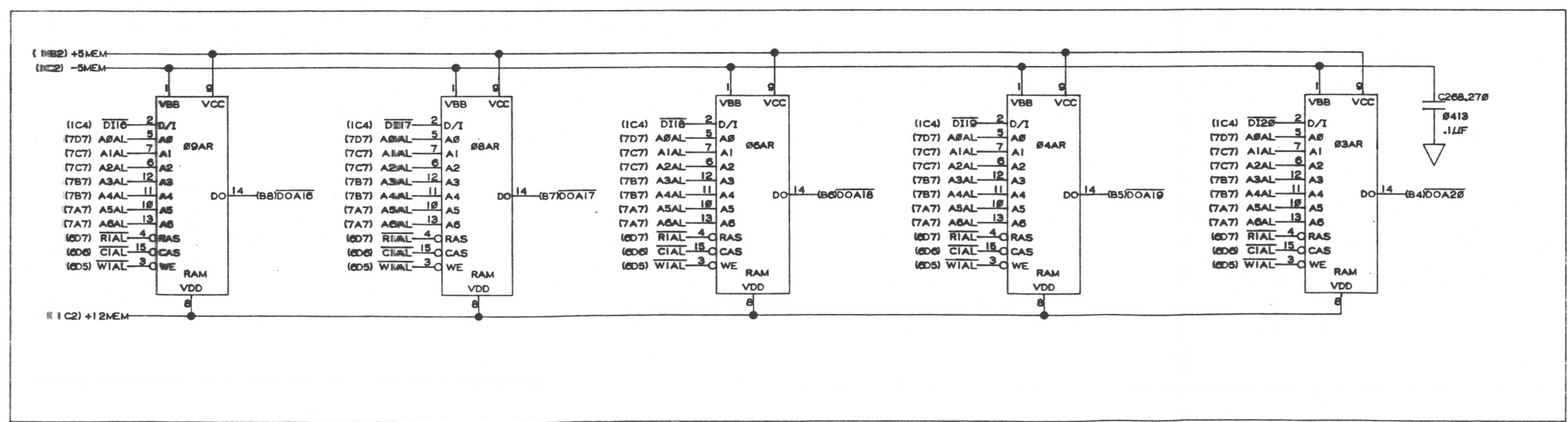
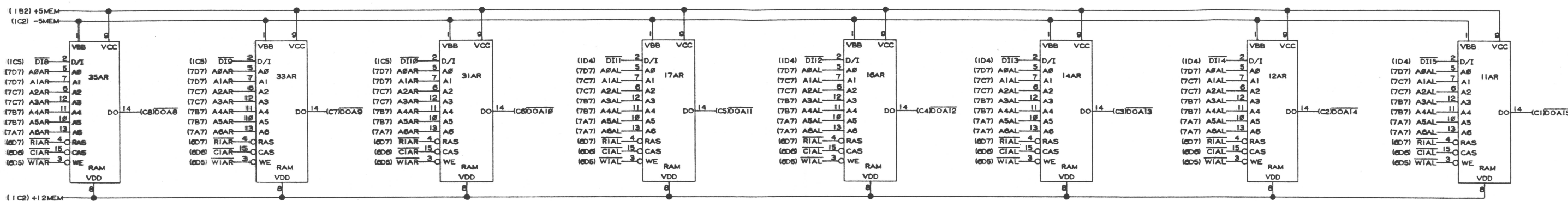
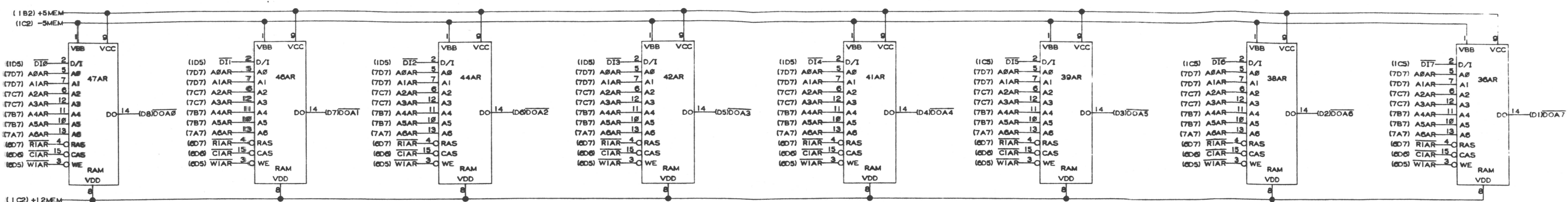


MODULE A
Blank

DRAWN		DATA GENERAL CORPORATION SOUTHBORO, MASSACHUSETTS 01772 TITLE DGC BBU MEMORY	
CHECKED			
ENGINEER			
APPROVED			
FIRST USED ON			
SIZE	CODE	DRAWING NUMBER	REV
D	001	001229	03

ALL DIMENSIONS AND SPECIFICATIONS HEREIN ARE THE PROPERTY OF DATA GENERAL CORPORATION AND SHALL NOT BE REPRODUCED OR COPIED OR USED IN WHOLE OR IN PART FOR THE BASIS OF MANUFACTURE OR SALE OF ANY PRODUCT WITHOUT WRITTEN PERMISSION

REVISIONS				
REV	DESCRIPTION	DRFTG	APP BY	DATE

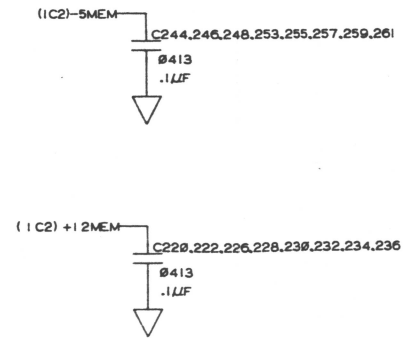
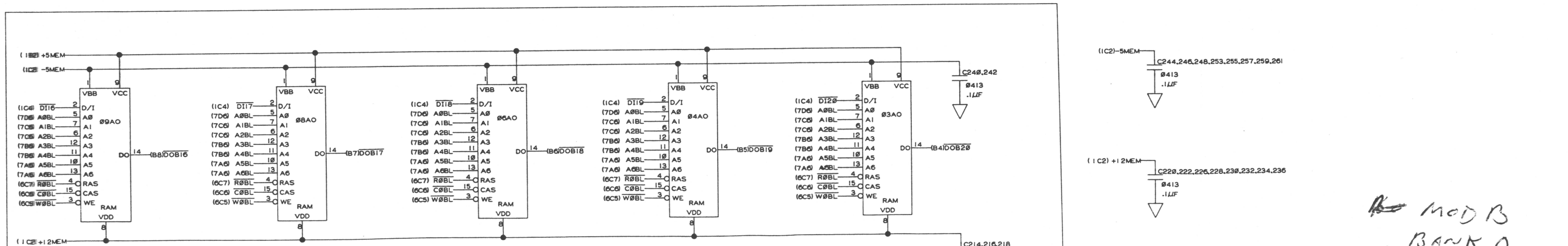
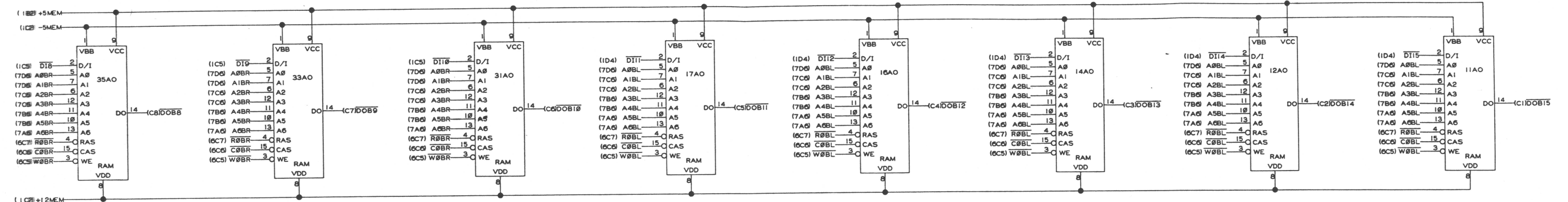
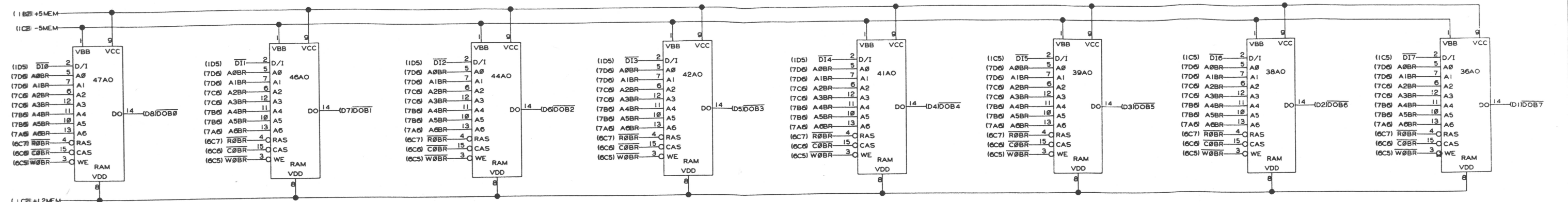


MOD A
Bank 1

DRAWN		DATA GENERAL CORPORATION SOUTHBORO, MASSACHUSETTS 01772 TITLE DGC BBU MEMORY
CHECKED		
ENGINEER		
APPROVED		
FIRST USED ON		SIZE CODE 001001229 REV 03

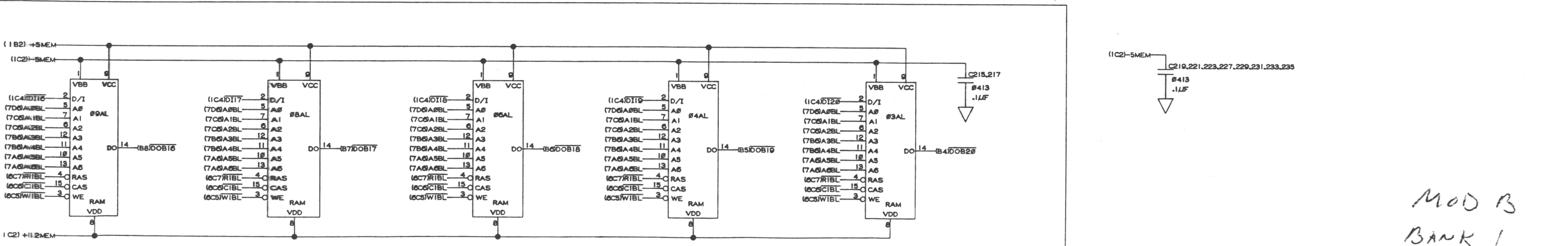
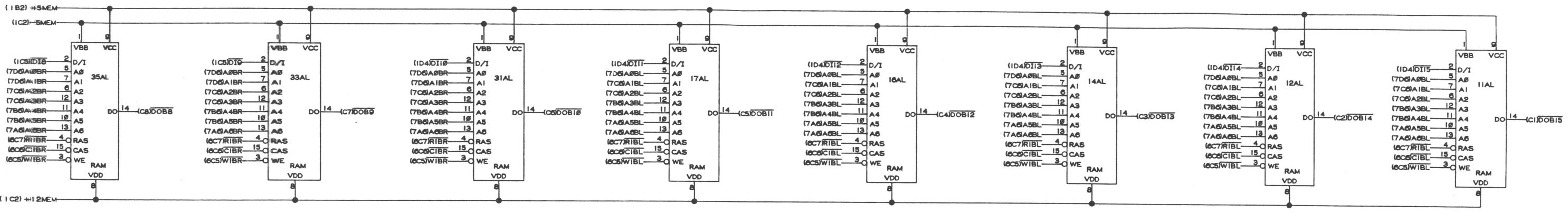
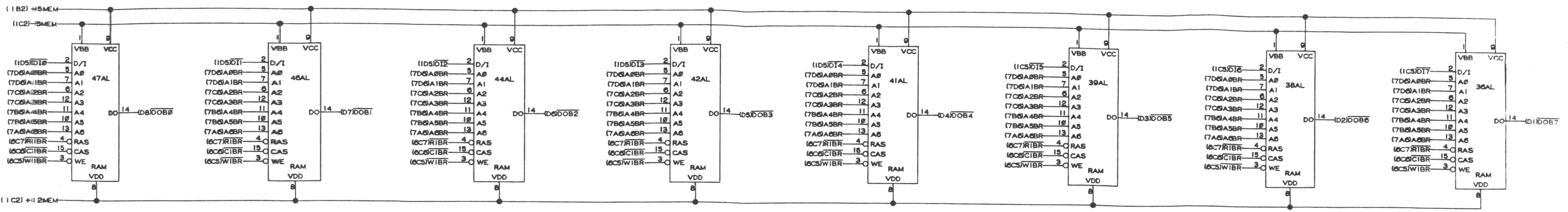
ALL DIMENSIONS AND SPECIFICATIONS HEREIN ARE THE PROPERTY OF DATA GENERAL CORPORATION AND SHALL NOT BE REPRODUCED OR USED IN WHOLE OR IN PART BY THE BUYER FOR MANUFACTURE OR SALE OF ITEMS WITHOUT WRITTEN PERMISSION.

REVISIONS				
REV	DESCRIPTION	DRFTG	APP BY	DATE



DRAWN		DATA GENERAL CORPORATION SOUTHBORO, MASSACHUSETTS 01772 TITLE DGC BBU MEMORY			
CHECKED					
ENGINEER					
APPROVED					
FIRST USED ON					
SIZE	D	CODE	001001229	REV	03

REVISIONS			
REV	DESCRIPTION	DRFTG	APP BY DATE

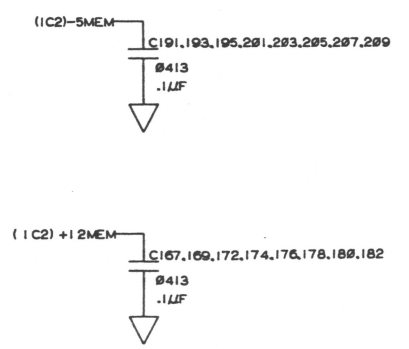
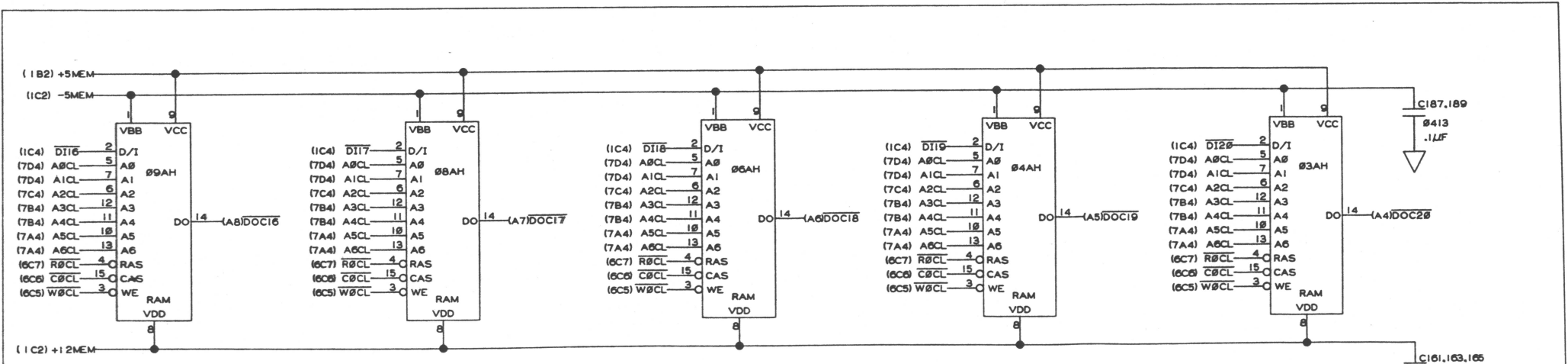
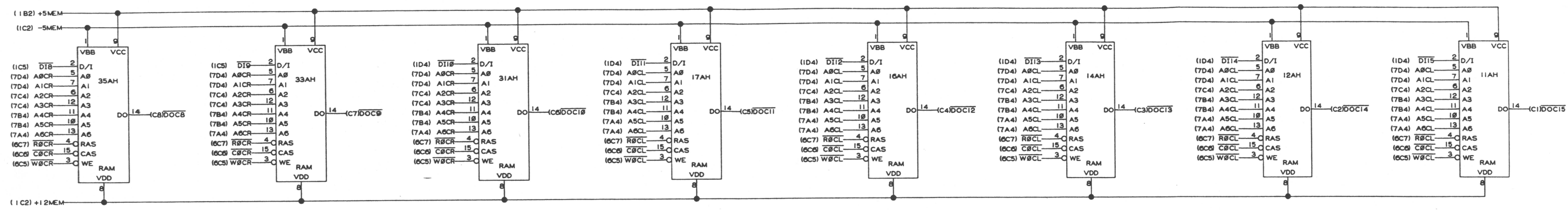
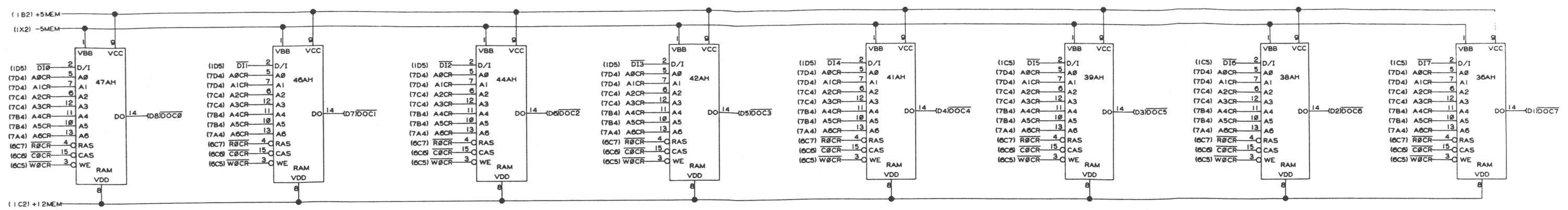


MOD B
BANK 1

DRAWN		DATA GENERAL CORPORATION	
CHECKED		SOUTHBORO, MASSACHUSETTS 01772	
ENGINEER		TITLE	
APPROVED		DGC BBU MEMORY	
FIRST USED ON		SIZE	CODE
		D	00100122903
		DRAWING NUMBER	REV
			03

ALL DIMENSIONS AND SPECIFICATIONS HEREIN ARE THE PROPERTY OF DATA GENERAL CORPORATION AND SHALL BE KEPT CONFIDENTIAL OR COPIES OF THIS DRAWING OR ANY PART THEREOF SHALL BE MADE FOR MANUFACTURE OR SALE OF THIS PRODUCT WITHOUT THE WRITTEN PERMISSION OF DATA GENERAL CORPORATION.

REVISED				
REV	DESCRIPTION	DRFTG	APP BY	DATE

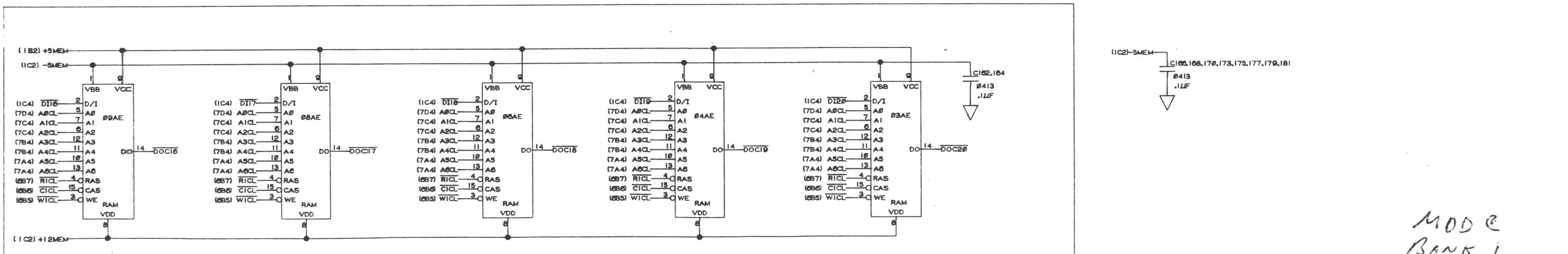
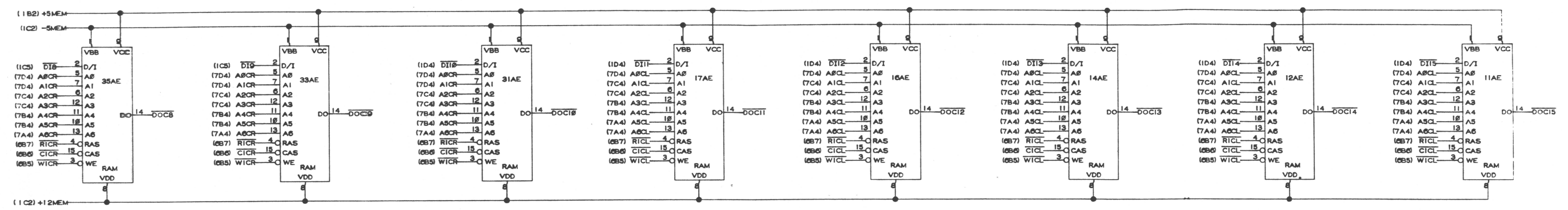
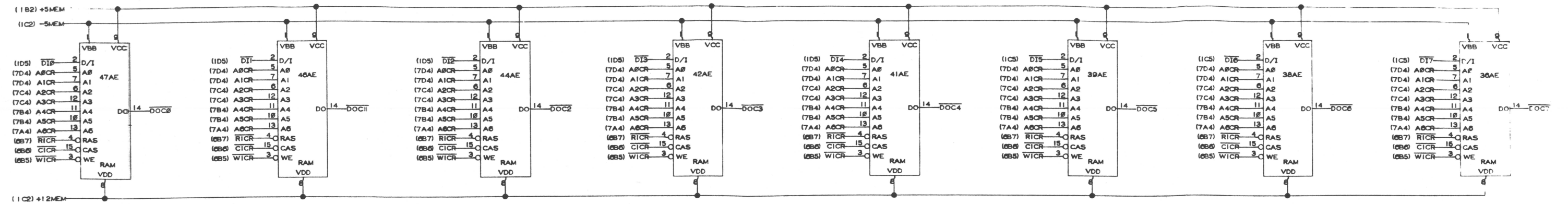


MOD C
BANK 0

DRAWN		DATA GENERAL CORPORATION SOUTHBORO, MASSACHUSETTS 01772 TITLE DGC BBU MEMORY			
CHECKED					
ENGINEER					
APPROVED					
FIRST USED ON					
SIZE	D	CODE	001001229	REV	03

ALL DIMENSIONS ARE IN MILLIMETERS UNLESS OTHERWISE SPECIFIED. DIMENSIONS ARE TO CENTER UNLESS OTHERWISE SPECIFIED. DIMENSIONS ARE TO CENTER UNLESS OTHERWISE SPECIFIED. DIMENSIONS ARE TO CENTER UNLESS OTHERWISE SPECIFIED.

REVISIONS			
REV	DESCRIPTION	DRFTG	APP BY DATE

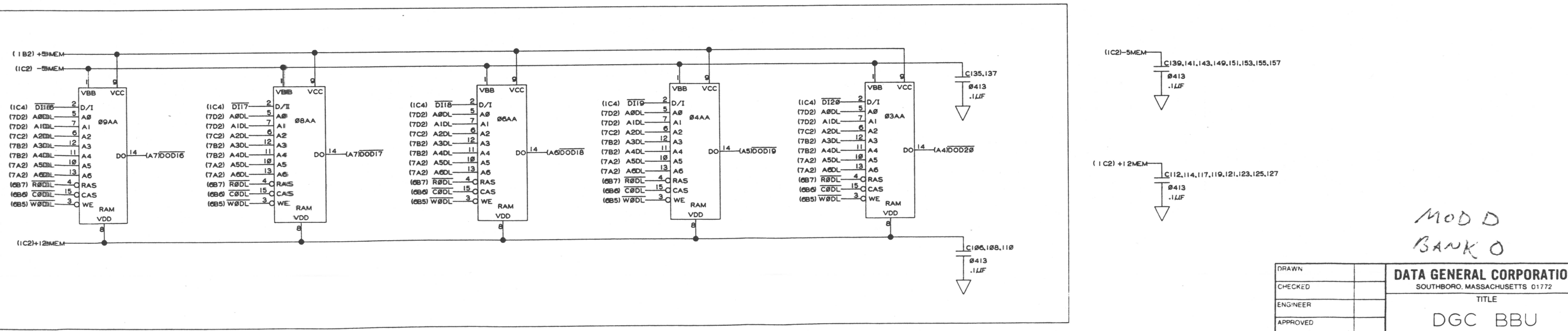
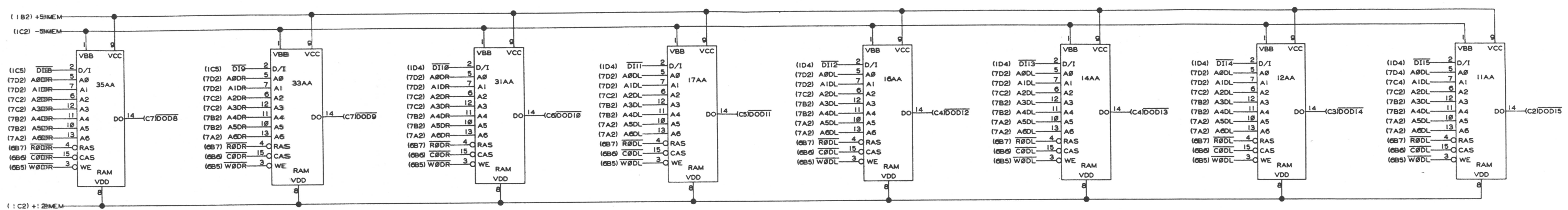
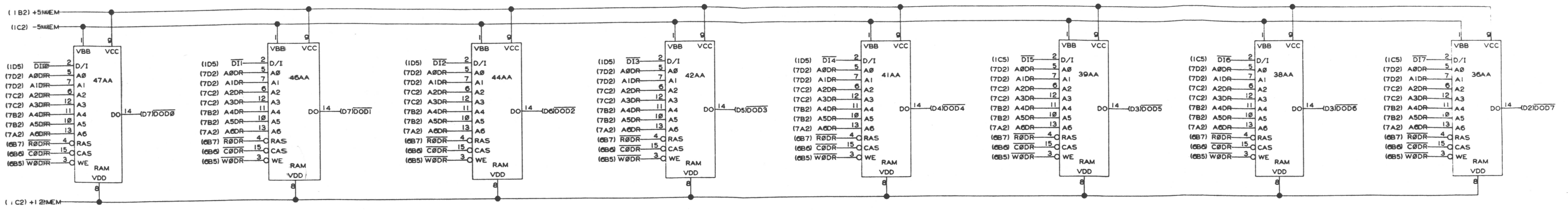


MODE
BANK 1

DRAWN		DATA GENERAL CORPORATION	
CHECKED		SOUTH BORO, MASSACHUSETTS 01772	
ENGINEER		TITLE	
APPROVED		DGC BBU	
FIRST USED ON		MEMORY	
SIZE	CODE	DRAWING NUMBER	RE
D		001001229	13

AND SPECIFICATIONS HEREIN ARE THE PROPERTY OF DATA GENERAL CORPORATION AND SHALL BE KEPT IN CONFIDENCE OR USED IN WHOLE OR IN PART FOR MANUFACTURE OR SALE OF ANY PRODUCT WITHOUT THE WRITTEN PERMISSION OF DATA GENERAL CORPORATION.

REVISIONS				
REV	DESCRIPTION	DRFTG	APP BY	DATE



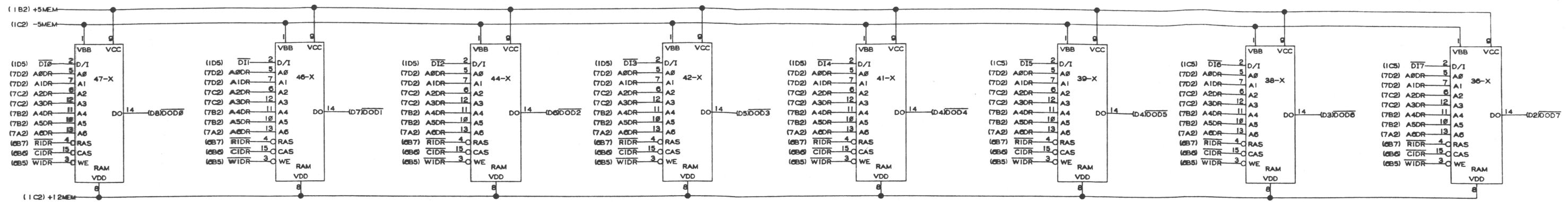
MOD D
BANK 0

DRAWN		DATA GENERAL CORPORATION SOUTH BORO, MASSACHUSETTS 01772 TITLE DGC BBU MEMORY
CHECKED		
ENGINEER		
APPROVED		
FIRST USED ON		
SIZE	CODE	DRAWING NUMBER
D		00100122903

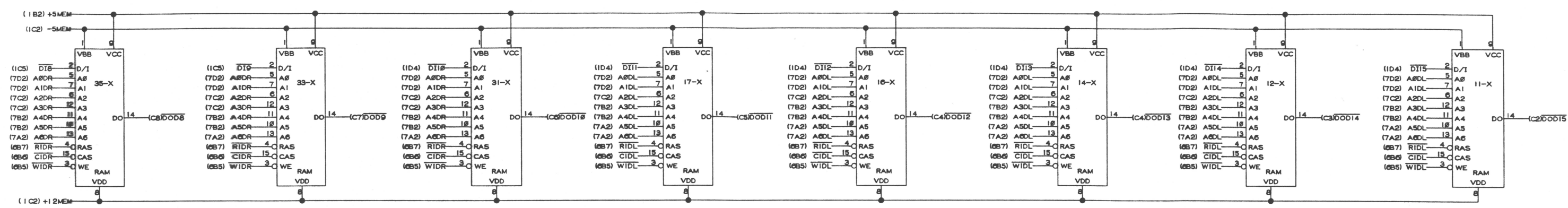
ALL DIMENSIONS AND SPECIFICATIONS HEREIN ARE THE PROPERTY OF DATA GENERAL CORPORATION AND SHALL NOT BE REPRODUCED OR COPIED OR USED IN WHOLE OR IN PART AS THE BASIS FOR MANUFACTURE OR SALE OF PRODUCTS WITHOUT WRITTEN PERMISSION.

REVISIONS			
REV	DESCRIPTION	DRFTG	APP BY DATE

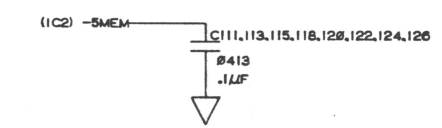
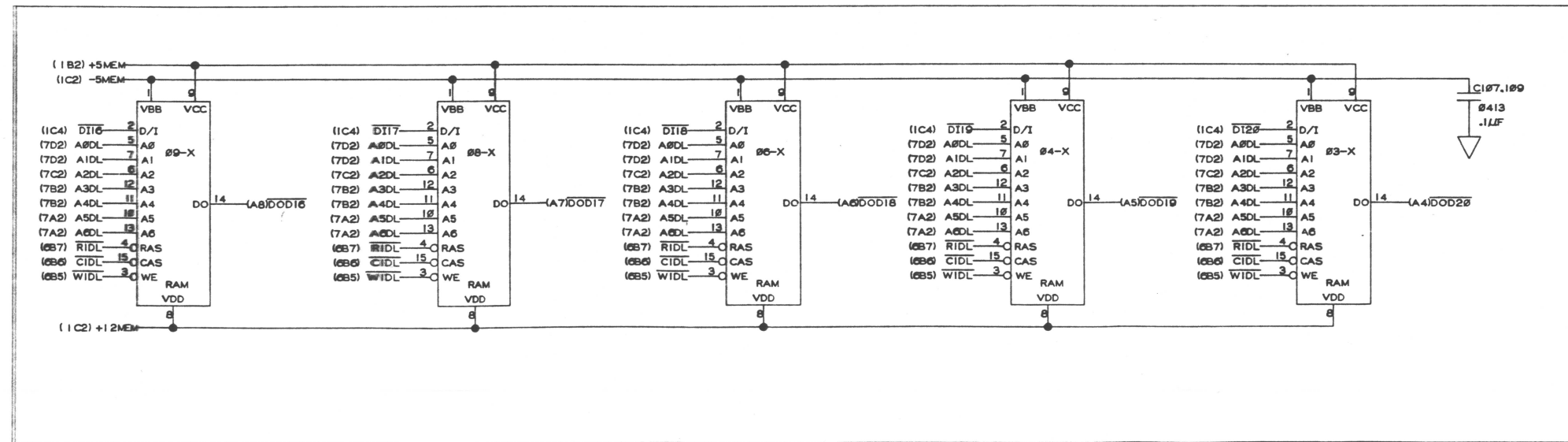
D



C



B



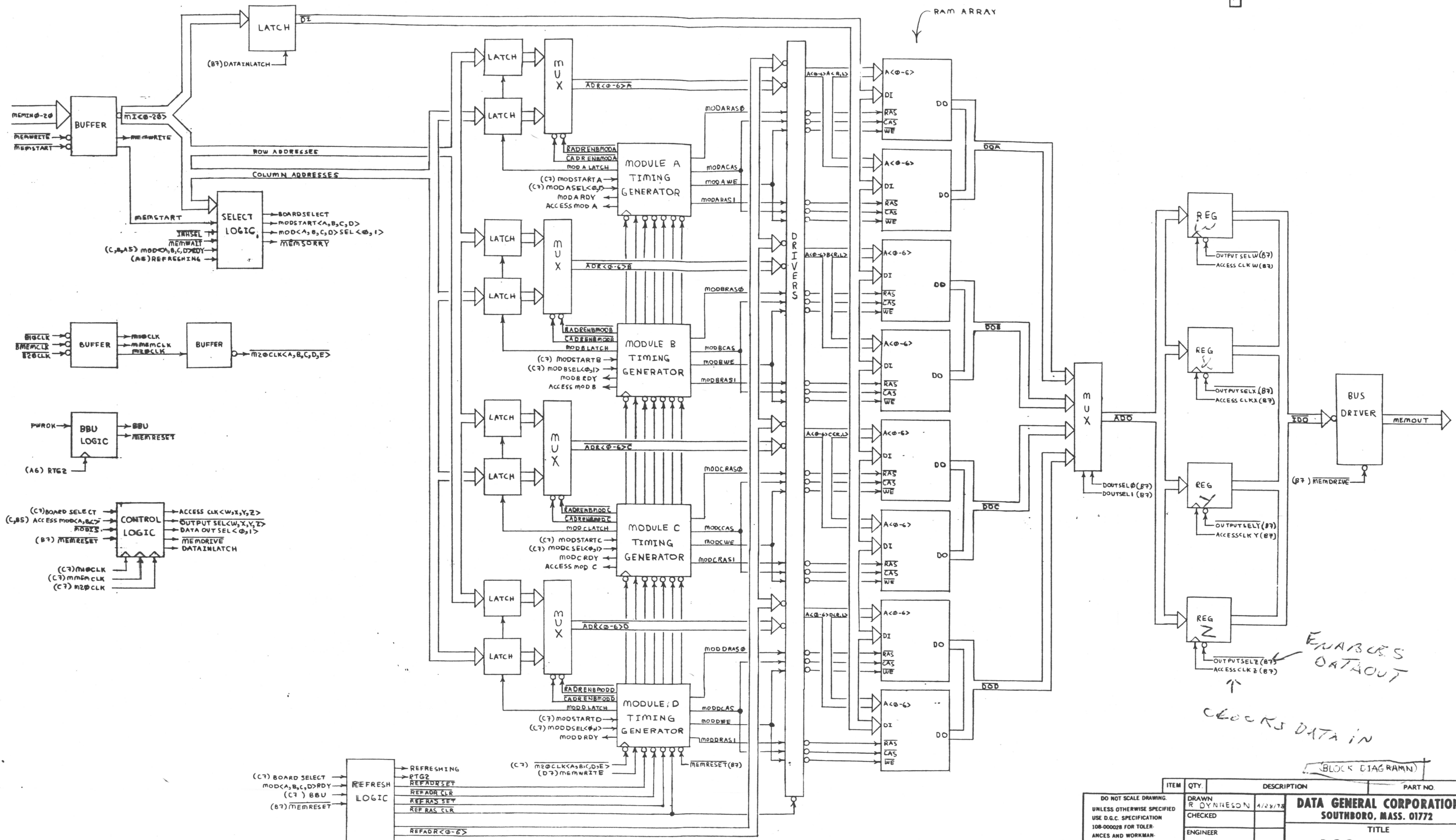
MOD BANK 1

A

DRAWN		DATA GENERAL CORPORATION SOUTHBORO, MASSACHUSETTS 01772 TITLE DGC BBU MEMORY			
CHECKED					
ENGINEER					
APPROVED					
FIRST USED ON					
SIZE	D	DRAWING NUMBER	001001229	REV	03

THIS DRAWING AND SPECIFICATIONS HEREIN ARE THE PROPERTY OF DATA GENERAL CORPORATION AND SHALL NOT BE REPRODUCED OR COPIED OR USED IN WHOLE OR IN PART AS THE BASIS FOR MANUFACTURE OR SALE OF ITEMS WITHOUT WRITTEN PERMISSION.

REVISIONS				
REV	DESCRIPTION	DRFTG	APP BY	DATE
REV EOO				



ENABLES OUTPUT
CLOCKS DATA IN

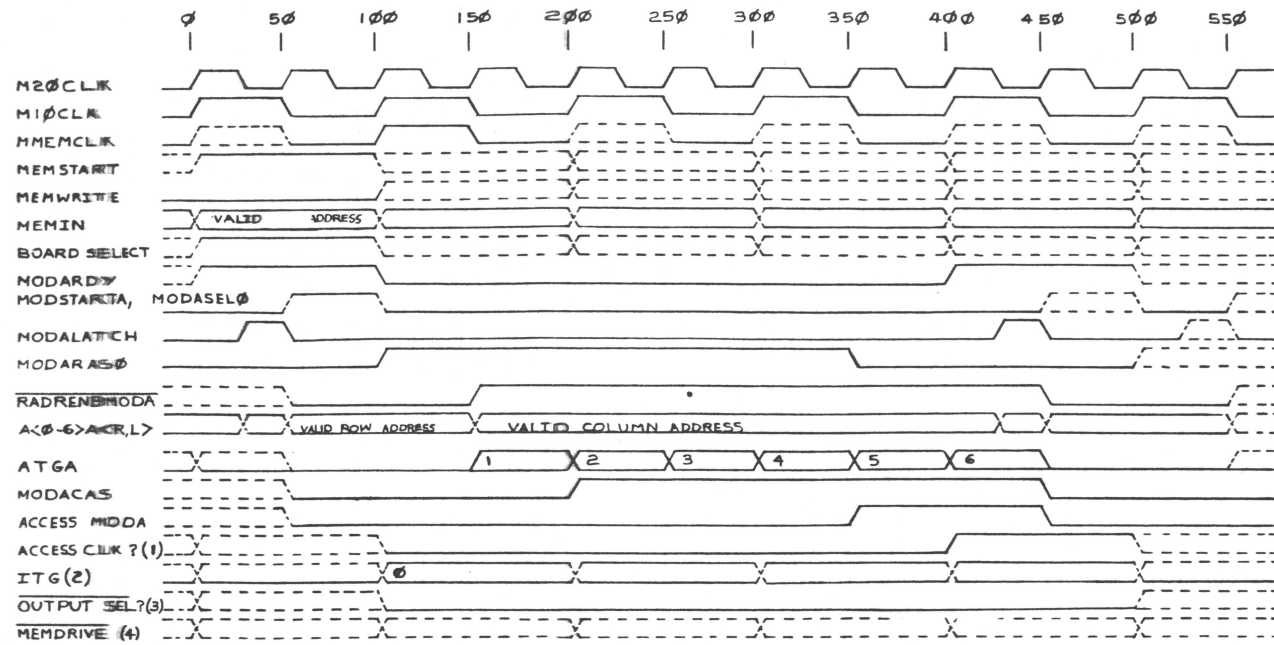
(BLOCK DIAGRAM)

ITEM	QTY.	DESCRIPTION	PART NO.
DO NOT SCALE DRAWING. UNLESS OTHERWISE SPECIFIED USE D.G.C. SPECIFICATION 108-000028 FOR TOLERANCES AND WORKMANSHIP REQUIREMENTS.			
DRAWN BY DYNHESON 4/28/78		DATA GENERAL CORPORATION SOUTHBORO, MASS. 01772	
CHECKED		TITLE	
ENGINEER		DGC BBU MEMORY	
APPROVED		FIRST USED ON	
SCALE		CODE IDENT. 34984	SIZE D
DRAWING NUMBER 00101229		REV 03	

THIS DRAWING AND SPECIFICATIONS HEREIN ARE THE PROPERTY OF DATA GENERAL CORPORATION AND SHALL NOT BE REPRODUCED OR COPIED OR USED IN WHOLE OR IN PART AS THE BASIS FOR MANUFACTURE OR SALE OF ITEMS WITHOUT WRITTEN PERMISSION

REVISIONS				
REV.	DESCRIPTION	DRFTG	APP. BY	DATE

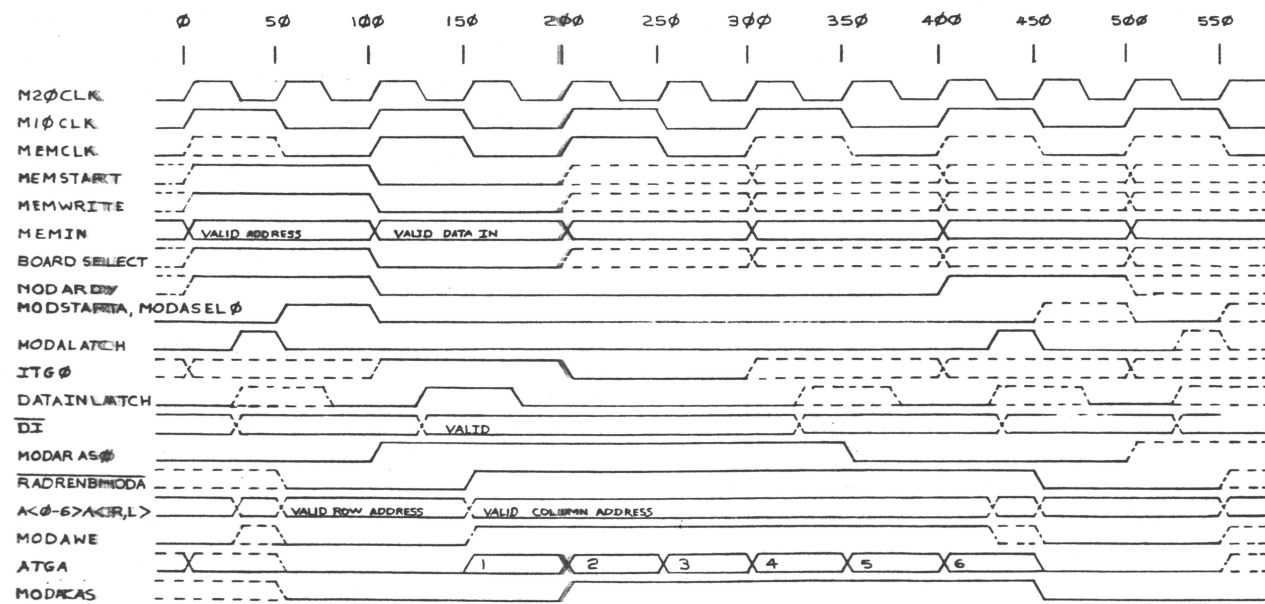
READ FROM MODULE A



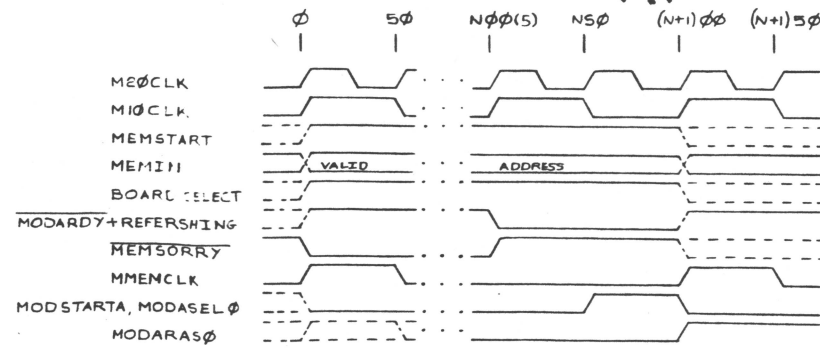
NOTES:

- (1) ? MAY BE W, X, Y, OR Z.
- (2) THE ITG REGISTER IS CLOCKED BY MEMCLK.
- (3) ? IS THE SAME (W, X, Y OR Z) AS IN (1). OUTPUT SEL ? OCCURS DURING ITG3.
- (4) THE MEMDRIVE OF INTEREST OCCURS DURING ITG3 WHEN MODAS IS NOT ASSERTED.

WRITE TO MODULE A



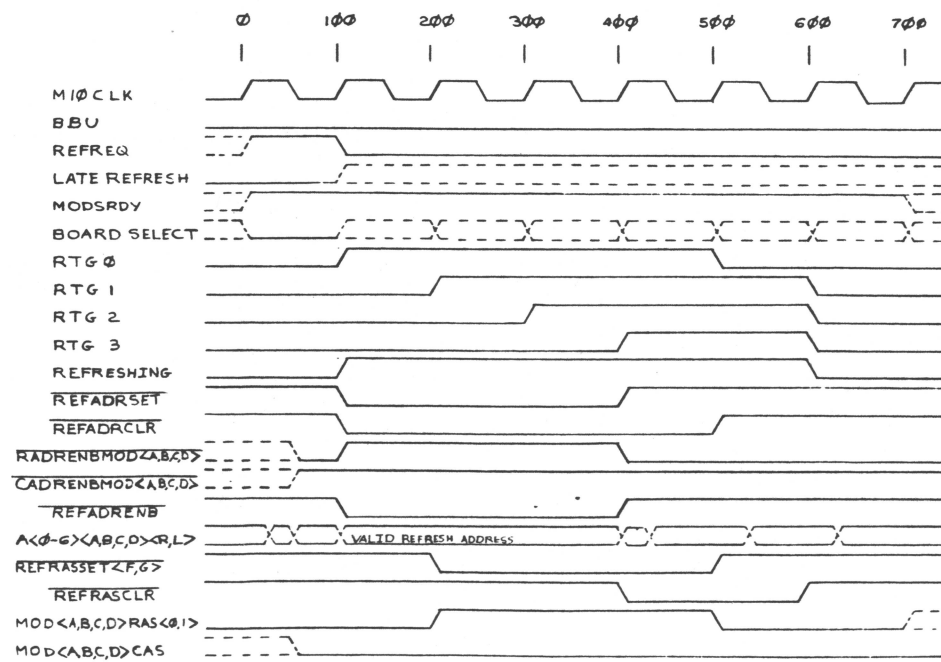
READ FROM OR WRITE TO MODULE A DEFERRED



NOTE:

(S) N IS THE NO. OF 100 NS CYCLES THAT START IS DEFERRED.

NORMAL REFRESH



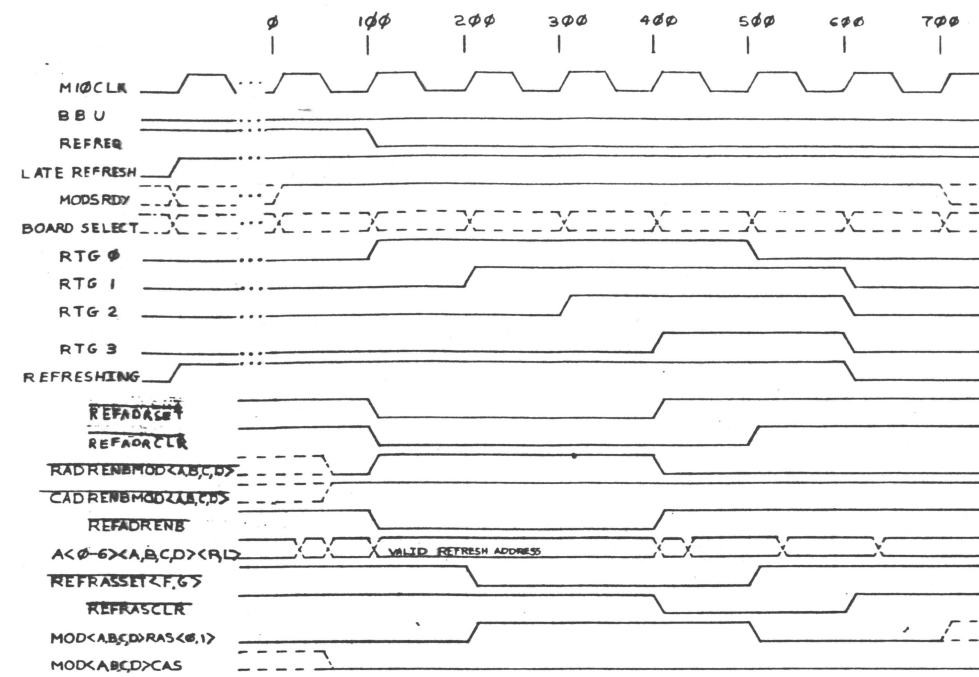
(TIMING)

ITEM	QTY.	DESCRIPTION	PART NO.					
DO NOT SCALE DRAWING. UNLESS OTHERWISE SPECIFIED USE D.G.C. SPECIFICATION 100-000028 FOR TOLERANCES AND WORKMANSHIP REQUIREMENTS								
DRAWN	7	5-17-78	DATA GENERAL CORPORATION SOUTHBORO, MASS. 01772					
CHECKED								
ENGINEER								
MATERIAL			TITLE DGC BBU MEMORY					
APPROVED								
FINISH			SCALE	CODE IDENT. 34984	SIZE D	CODE 001	DRAWING NUMBER 001229	REV 03

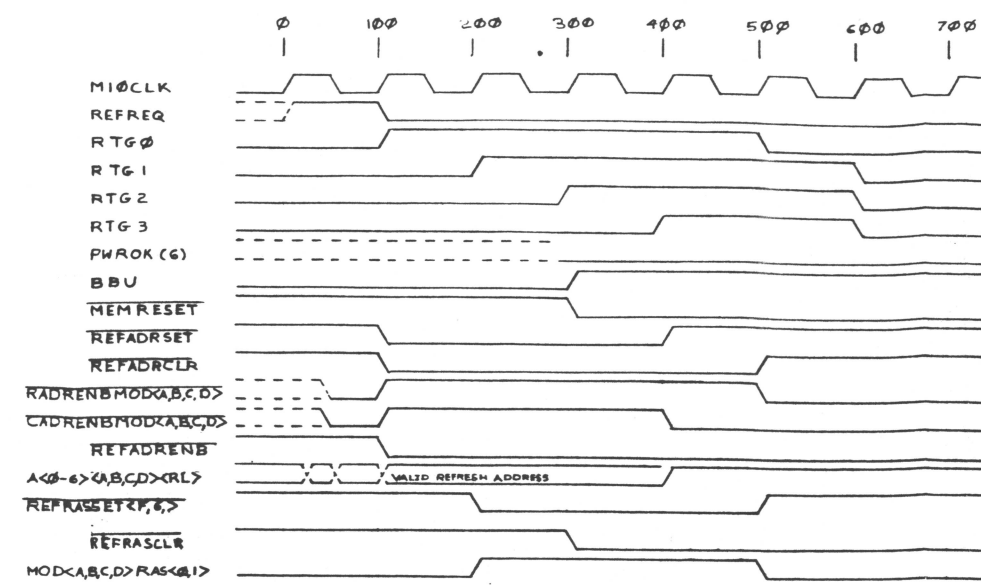
THIS DRAWING AND SPECIFICATIONS HEREIN ARE THE PROPERTY OF DATA GENERAL CORPORATION AND SHALL NOT BE REPRODUCED, COPIED OR USED IN WHOLE OR IN PART AS THE BASIS FOR MANUFACTURE OR SALE OF ITEMS WITHOUT WRITTEN PERMISSION.

REVISIONS				
REV.	DESCRIPTION	DRFTG.	APP. BY	DATE

LATE REFRESH

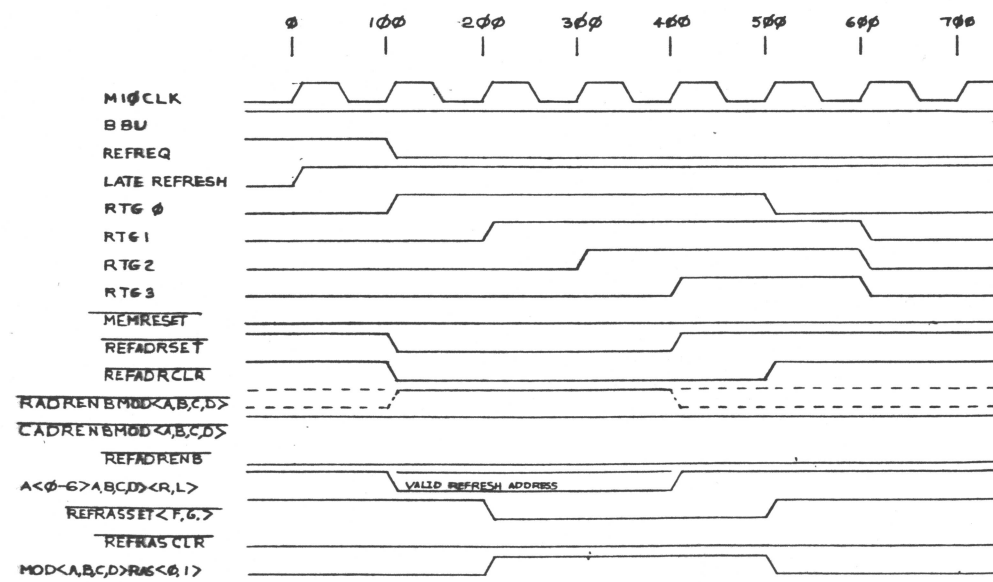


SWITCHING INTO BBU

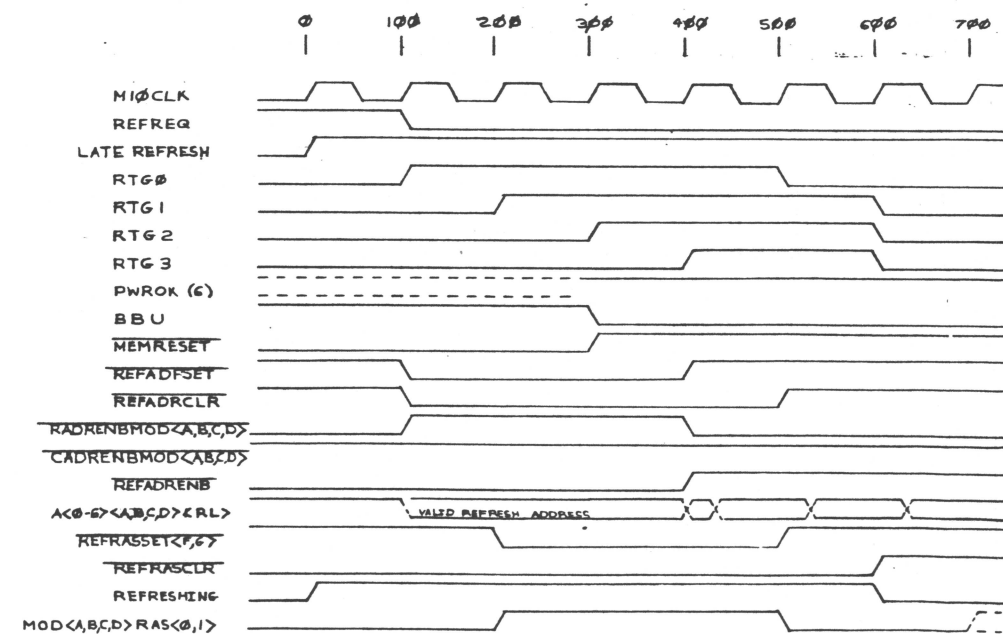


NOTE: (6) PWROK IS AN ASYNCHRONOUS SIGNAL

REFRESH DURING BBU



SWITCHING OUT OF BBU



(TIMING)

ITEM	QTY.	DESCRIPTION	PART NO.
DO NOT SCALE DRAWING. UNLESS OTHERWISE SPECIFIED USE D.G.C. SPECIFICATION 108-000028 FOR TOLERANCES AND WORKMANSHIP REQUIREMENTS.			
DRAWN	5-1875	DATA GENERAL CORPORATION SOUTHBORO, MASS. 01772	
CHECKED		TITLE DGC BBU MEMORY	
ENGINEER		SCALE	
APPROVED		CODE IDENT.	SIZE
FIRST USED ON		34984	D
		CODE	DRAWING NUMBER
		OC1	CC1229
		REV	03