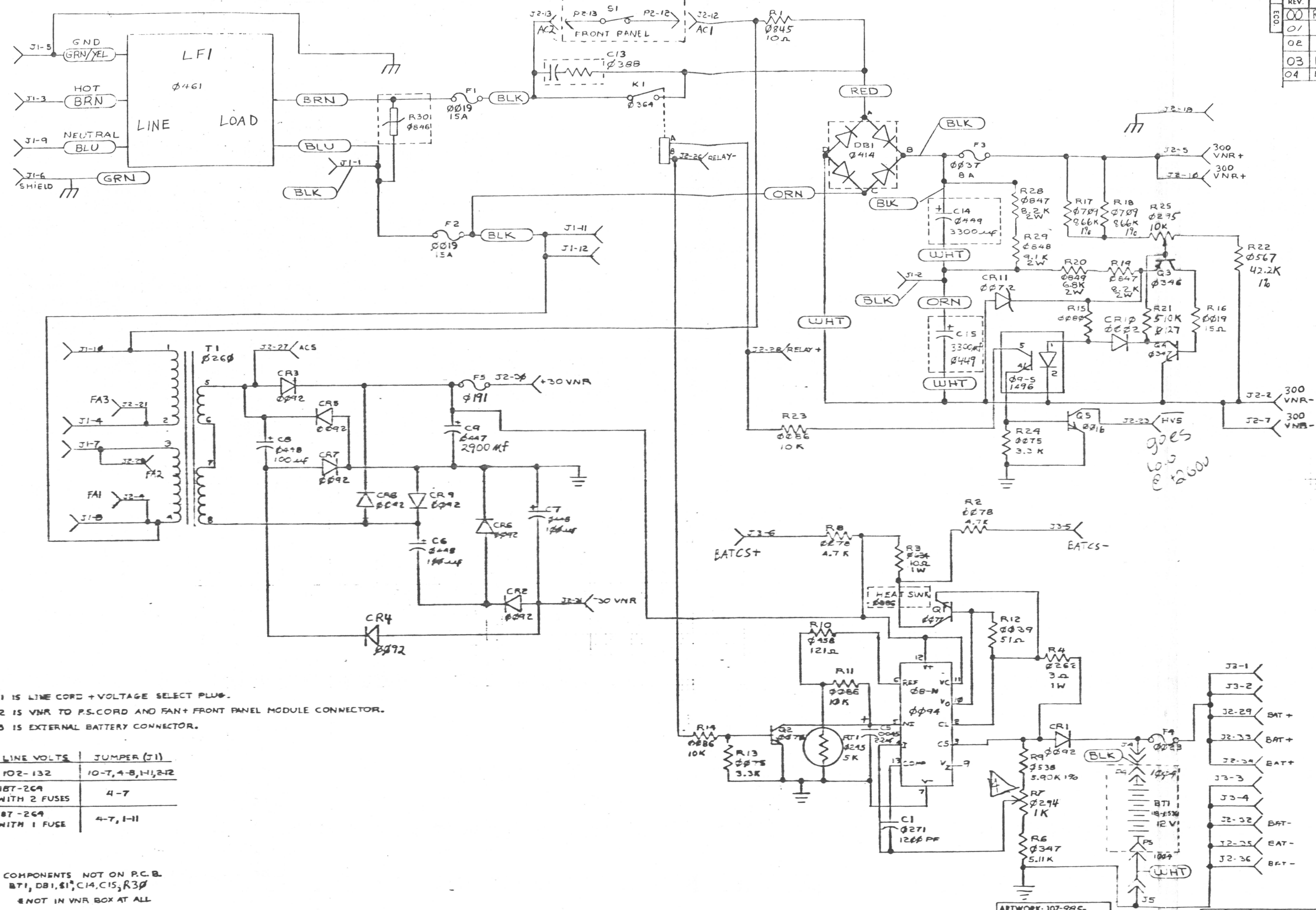


THIS DRAWING AND SPECIFICATIONS HEREIN, ARE THE PROPERTY OF DATA GENERAL CORPORATION AND SHALL NOT BE REPRODUCED OR COPIED OR USED IN WHOLE OR IN PART AS THE BASIS FOR MANUFACTURE OR SALE OF ITEMS WITHOUT WRITTEN PERMISSION.

REVISIONS				
REV.	DESCRIPTION	DRFTG.	APP. BY	DATE
00	RLSD PER E555			10/12/78
01	ECO E556			11/22/78
02	ECO F846			2/5/79
03	ECO G732			7/1/79
04	ECO 9684			10-12-79



NOTES:

- J1 IS LINE CORD + VOLTAGE SELECT PLUG.  
J2 IS VNR TO P.S. CORD AND FAN + FRONT PANEL MODULE CONNECTOR.  
J3 IS EXTERNAL BATTERY CONNECTOR.
- | LINE VOLTS           | JUMPER (J1)         |
|----------------------|---------------------|
| 102-132              | 10-7, 4-8, 11, 2-12 |
| 187-269 WITH 2 FUSES | 4-7                 |
| 187-269 WITH 1 FUSE  | 4-7, 1-11           |
- COMPONENTS NOT ON P.C.B.  
BT1, DB1, S1, C14, C15, R30  
NOT IN VNR BOX AT ALL
- R7 SETS BATTERY CHARGER OUTPUT VOLTAGE TO 14.1 VOLTS.  
R25 SETS LEVEL OF +300VNR THAT CAUSES HVS TO GO HIGH (WHEN +300VNR DROPS FROM 300 VOLTS TO 235 VOLTS).

ARTWORK: 107-985-		ITEM QTY DESCRIPTION PART NO.	
REV	SCHEMATIC REVISION	DO NOT SCALE DRAWING UNLESS OTHERWISE SPECIFIED USE D.C. SPECIFICATION 108-00028 FOR TOLERANCES AND DIMENSIONS SHIP REQUIREMENTS	
02	01, 02, 03	DRAWN	B/14/78
		CHECKED	
		ENGINEER	1/1/78
		APPROVED	1/1/78
		FIRST USED ON	005012371
		SCALE	CODE IDENT. SIZE CODE DRAWING NUMBER REV
			D 001001523 04

DATA GENERAL CORPORATION  
WESTBORO, MASS. 01581  
TITLE  
DGC MACHINE  
VNR SECTION