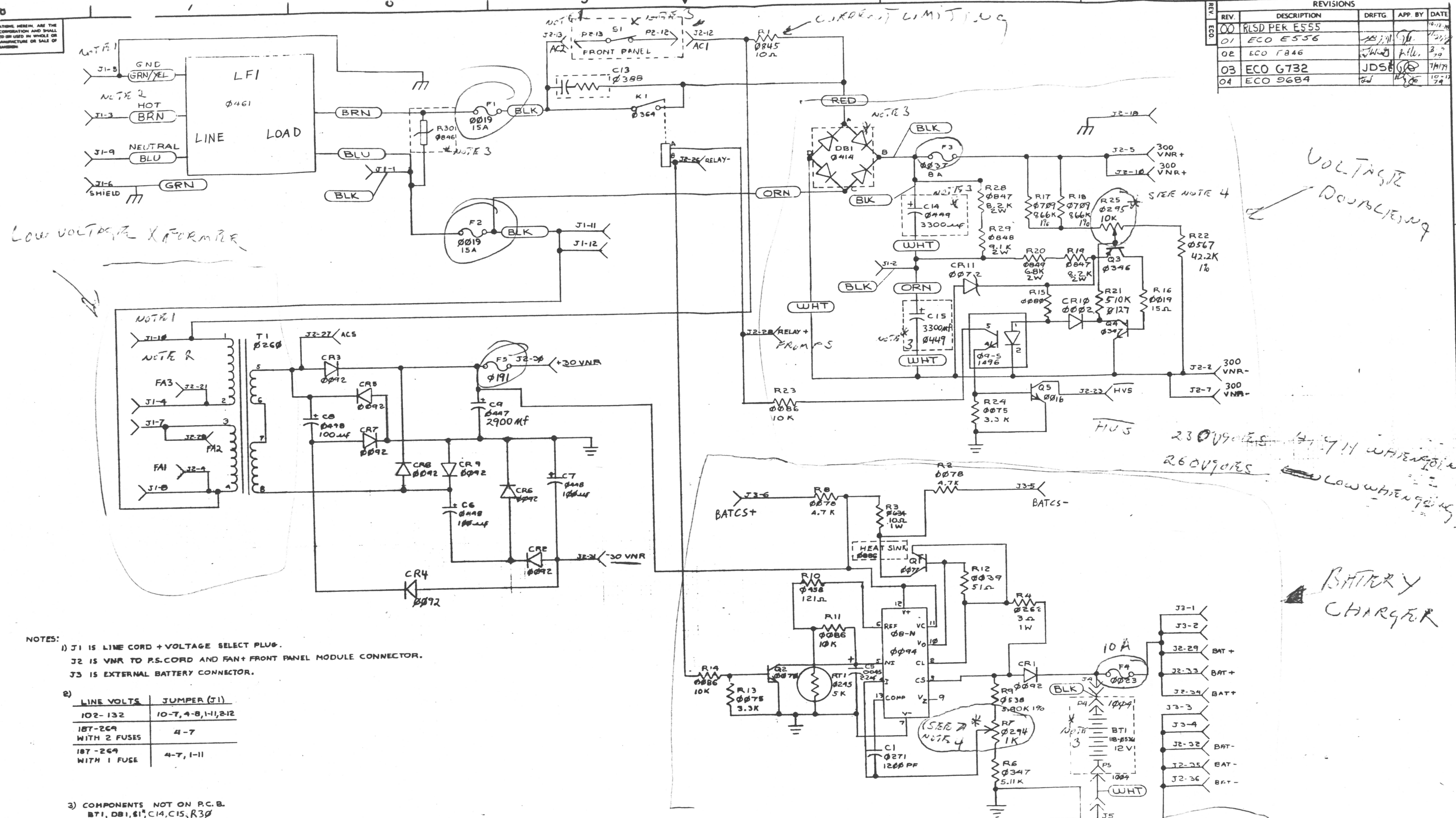


THIS DRAWING AND SPECIFICATIONS HEREIN ARE THE PROPERTY OF DATA GENERAL CORPORATION AND SHALL NOT BE REPRODUCED OR COPIED IN WHOLE OR IN PART AS THE BASIS FOR MANUFACTURE OR SALE OF ITEMS WITHOUT WRITTEN PERMISSION.

REVISIONS				
REV.	DESCRIPTION	DRFTG	APP. BY	DATE
00	RLSD PER E555			10-12-78
01	ECO E556			11-21-78
02	ECO F846			8-79
03	ECO G732			7/17/79
04	ECO 9684			10-17-79

LOW VOLTAGE TRANSFORMER



VOLTAGE DOUBLING

230V90ES HIGH WHEN GOING DOWN
260V90ES LOW WHEN GOING UP

BATTERY CHARGER

- NOTES:
- J1 IS LINE CORD + VOLTAGE SELECT PLUG.
J2 IS VNR TO P.S. CORD AND FAN + FRONT PANEL MODULE CONNECTOR.
J3 IS EXTERNAL BATTERY CONNECTOR.

LINE VOLTS	JUMPER (J1)
102-132	10-7, 4-8, 1-11, 2-12
187-269 WITH 2 FUSES	4-7
187-269 WITH 1 FUSE	4-7, 1-11

- COMPONENTS NOT ON P.C.B.
BT1, DB1, 61, C14, C15, R30
*NOT IN VNR BOX AT ALL
- R7 SETS BATTERY CHARGER OUTPUT VOLTAGE TO 14.1 VOLTS.
R25 SETS LEVEL OF +300VNR THAT CAUSES HVS TO GO HIGH (WHEN +300VNR DROPS FROM 300 VOLTS TO 235 VOLTS).

ARTWORK: 107-985-		ITEM	QTY.	DESCRIPTION	PART NO.
REV	SCHEMATIC REV(S)	DO NOT SCALE DRAWING. UNLESS OTHERWISE SPECIFIED USE D.G.C. SPECIFICATION 108-00028 FOR TOLERANCES AND WORKMANSHIP REQUIREMENTS	DRAWN BY: [Signature]	8/14/78	DATA GENERAL CORPORATION WESTBORO, MASS. 01581
02	00, 01, 02, 03	CHECKED	ENGINEER: [Signature]	1/1/78	
		MATERIAL	APPROVED: [Signature]	1/1/78	TITLE DGC MACHINE
		FINISH	FIRST USED ON	005012371	VNR SECTION
		THIRD ANGLE PROJECTION	SCALE	CODE IDENT.	D 001 001523
				SIZE	DRAWING NUMBER
					REV
					04

A

B

C

D