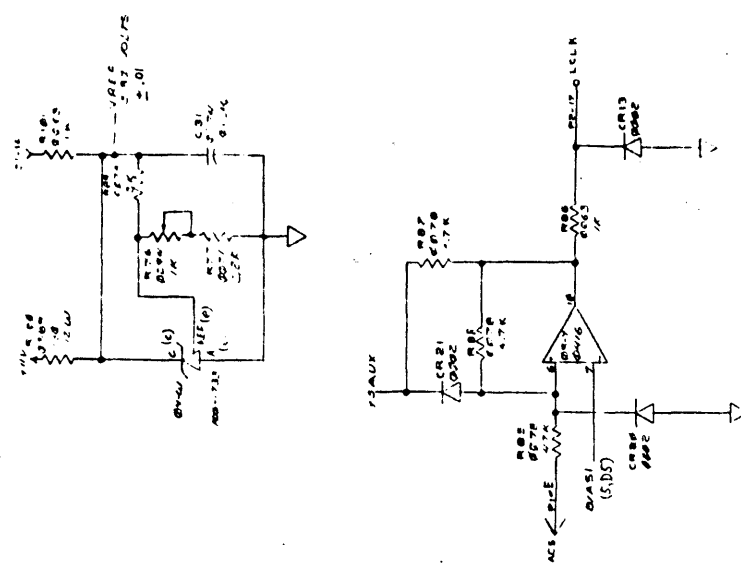


+5V Output +12V Output

DATE	10/1/68	DESIGNER	W. J. ...
CHECKED		APPROVED	
REVISIONS		DATE	
DATA GENERAL CORPORATION 300 HOBBS AVENUE ROCKFORD, MASS 01722			
TITLE		N. L. 4 POWER SUPPLY PCB	
SCALE	3/8" = 1"	DATE	10/1/68
DRAWN BY	W. J. ...	CHECKED BY	
PROJECT NO.	34884 LD	WORK CENTER	

1 2 3 4 5 6 7 8  
 9 10 11 12 13 14 15 16 17 18 19 20 21 22 23 24 25 26 27 28 29 30 31 32 33 34 35 36 37 38 39 40 41 42 43 44 45 46 47 48 49 50 51 52 53 54 55 56 57 58 59 60 61 62 63 64 65 66 67 68 69 70 71 72 73 74 75 76 77 78 79 80 81 82 83 84 85 86 87 88 89 90 91 92 93 94 95 96 97 98 99 100

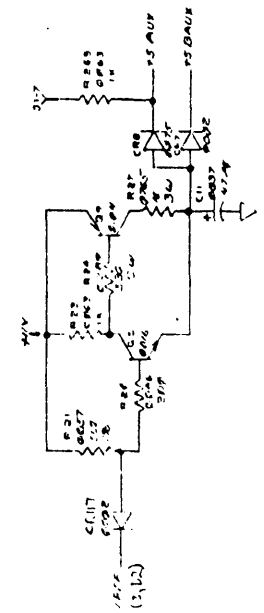
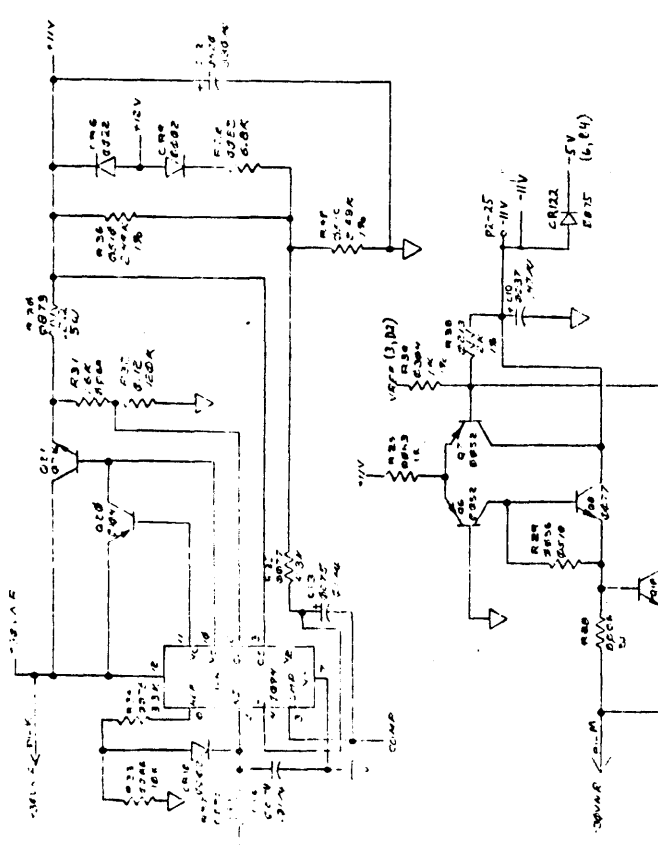


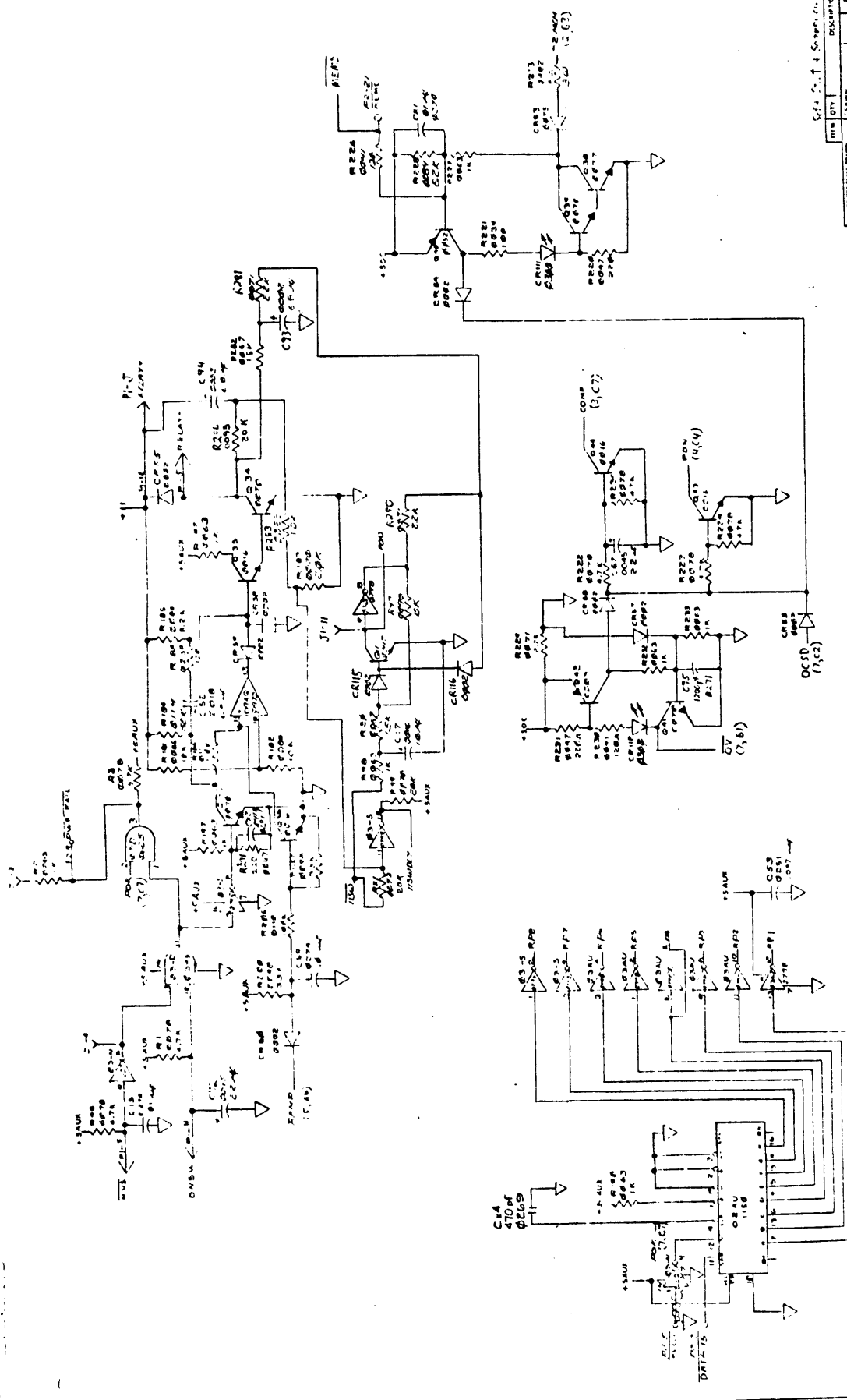
NOTES: 1. HIGH VOLTAGE FOR CONDUCTORS

2. HIGH VOLTAGE FOR CONDUCTORS  
 3. TO TEST POINT AT FRONT OF CARD  
 4. TO TEST POINT AT FRONT OF CARD  
 5. TO TEST POINT AT FRONT OF CARD  
 6. TO TEST POINT AT FRONT OF CARD  
 7. TO TEST POINT AT FRONT OF CARD  
 8. TO TEST POINT AT FRONT OF CARD  
 9. TO TEST POINT AT FRONT OF CARD  
 10. TO TEST POINT AT FRONT OF CARD  
 11. TO TEST POINT AT FRONT OF CARD  
 12. TO TEST POINT AT FRONT OF CARD  
 13. TO TEST POINT AT FRONT OF CARD  
 14. TO TEST POINT AT FRONT OF CARD  
 15. TO TEST POINT AT FRONT OF CARD  
 16. TO TEST POINT AT FRONT OF CARD  
 17. TO TEST POINT AT FRONT OF CARD  
 18. TO TEST POINT AT FRONT OF CARD  
 19. TO TEST POINT AT FRONT OF CARD  
 20. TO TEST POINT AT FRONT OF CARD  
 21. TO TEST POINT AT FRONT OF CARD  
 22. TO TEST POINT AT FRONT OF CARD  
 23. TO TEST POINT AT FRONT OF CARD  
 24. TO TEST POINT AT FRONT OF CARD  
 25. TO TEST POINT AT FRONT OF CARD  
 26. TO TEST POINT AT FRONT OF CARD  
 27. TO TEST POINT AT FRONT OF CARD  
 28. TO TEST POINT AT FRONT OF CARD  
 29. TO TEST POINT AT FRONT OF CARD  
 30. TO TEST POINT AT FRONT OF CARD  
 31. TO TEST POINT AT FRONT OF CARD  
 32. TO TEST POINT AT FRONT OF CARD  
 33. TO TEST POINT AT FRONT OF CARD  
 34. TO TEST POINT AT FRONT OF CARD  
 35. TO TEST POINT AT FRONT OF CARD  
 36. TO TEST POINT AT FRONT OF CARD  
 37. TO TEST POINT AT FRONT OF CARD  
 38. TO TEST POINT AT FRONT OF CARD  
 39. TO TEST POINT AT FRONT OF CARD  
 40. TO TEST POINT AT FRONT OF CARD  
 41. TO TEST POINT AT FRONT OF CARD  
 42. TO TEST POINT AT FRONT OF CARD  
 43. TO TEST POINT AT FRONT OF CARD  
 44. TO TEST POINT AT FRONT OF CARD  
 45. TO TEST POINT AT FRONT OF CARD  
 46. TO TEST POINT AT FRONT OF CARD  
 47. TO TEST POINT AT FRONT OF CARD  
 48. TO TEST POINT AT FRONT OF CARD  
 49. TO TEST POINT AT FRONT OF CARD  
 50. TO TEST POINT AT FRONT OF CARD  
 51. TO TEST POINT AT FRONT OF CARD  
 52. TO TEST POINT AT FRONT OF CARD  
 53. TO TEST POINT AT FRONT OF CARD  
 54. TO TEST POINT AT FRONT OF CARD  
 55. TO TEST POINT AT FRONT OF CARD  
 56. TO TEST POINT AT FRONT OF CARD  
 57. TO TEST POINT AT FRONT OF CARD  
 58. TO TEST POINT AT FRONT OF CARD  
 59. TO TEST POINT AT FRONT OF CARD  
 60. TO TEST POINT AT FRONT OF CARD  
 61. TO TEST POINT AT FRONT OF CARD  
 62. TO TEST POINT AT FRONT OF CARD  
 63. TO TEST POINT AT FRONT OF CARD  
 64. TO TEST POINT AT FRONT OF CARD  
 65. TO TEST POINT AT FRONT OF CARD  
 66. TO TEST POINT AT FRONT OF CARD  
 67. TO TEST POINT AT FRONT OF CARD  
 68. TO TEST POINT AT FRONT OF CARD  
 69. TO TEST POINT AT FRONT OF CARD  
 70. TO TEST POINT AT FRONT OF CARD  
 71. TO TEST POINT AT FRONT OF CARD  
 72. TO TEST POINT AT FRONT OF CARD  
 73. TO TEST POINT AT FRONT OF CARD  
 74. TO TEST POINT AT FRONT OF CARD  
 75. TO TEST POINT AT FRONT OF CARD  
 76. TO TEST POINT AT FRONT OF CARD  
 77. TO TEST POINT AT FRONT OF CARD  
 78. TO TEST POINT AT FRONT OF CARD  
 79. TO TEST POINT AT FRONT OF CARD  
 80. TO TEST POINT AT FRONT OF CARD  
 81. TO TEST POINT AT FRONT OF CARD  
 82. TO TEST POINT AT FRONT OF CARD  
 83. TO TEST POINT AT FRONT OF CARD  
 84. TO TEST POINT AT FRONT OF CARD  
 85. TO TEST POINT AT FRONT OF CARD  
 86. TO TEST POINT AT FRONT OF CARD  
 87. TO TEST POINT AT FRONT OF CARD  
 88. TO TEST POINT AT FRONT OF CARD  
 89. TO TEST POINT AT FRONT OF CARD  
 90. TO TEST POINT AT FRONT OF CARD  
 91. TO TEST POINT AT FRONT OF CARD  
 92. TO TEST POINT AT FRONT OF CARD  
 93. TO TEST POINT AT FRONT OF CARD  
 94. TO TEST POINT AT FRONT OF CARD  
 95. TO TEST POINT AT FRONT OF CARD  
 96. TO TEST POINT AT FRONT OF CARD  
 97. TO TEST POINT AT FRONT OF CARD  
 98. TO TEST POINT AT FRONT OF CARD  
 99. TO TEST POINT AT FRONT OF CARD  
 100. TO TEST POINT AT FRONT OF CARD

REV	DATE	DESCRIPTION
1		
2		
3		
4		
5		
6		
7		
8		
9		
10		

DATA GENERAL CORPORATION  
 SCUMMORD, MASS 01972  
 TITLE  
 POWER SUPPLY  
 ICF





ITEM	QTY	DESCRIPTION	PART NO
1	1	TRANSFORMER	115-0-250
2	1	DIODE	1N4004
3	1	DIODE	1N4004
4	1	DIODE	1N4004
5	1	DIODE	1N4004
6	1	DIODE	1N4004
7	1	DIODE	1N4004
8	1	DIODE	1N4004
9	1	DIODE	1N4004
10	1	DIODE	1N4004
11	1	DIODE	1N4004
12	1	DIODE	1N4004
13	1	DIODE	1N4004
14	1	DIODE	1N4004
15	1	DIODE	1N4004
16	1	DIODE	1N4004
17	1	DIODE	1N4004
18	1	DIODE	1N4004
19	1	DIODE	1N4004
20	1	DIODE	1N4004
21	1	DIODE	1N4004
22	1	DIODE	1N4004
23	1	DIODE	1N4004
24	1	DIODE	1N4004
25	1	DIODE	1N4004
26	1	DIODE	1N4004
27	1	DIODE	1N4004
28	1	DIODE	1N4004
29	1	DIODE	1N4004
30	1	DIODE	1N4004
31	1	DIODE	1N4004
32	1	DIODE	1N4004
33	1	DIODE	1N4004
34	1	DIODE	1N4004
35	1	DIODE	1N4004
36	1	DIODE	1N4004
37	1	DIODE	1N4004
38	1	DIODE	1N4004
39	1	DIODE	1N4004
40	1	DIODE	1N4004
41	1	DIODE	1N4004
42	1	DIODE	1N4004
43	1	DIODE	1N4004
44	1	DIODE	1N4004
45	1	DIODE	1N4004
46	1	DIODE	1N4004
47	1	DIODE	1N4004
48	1	DIODE	1N4004
49	1	DIODE	1N4004
50	1	DIODE	1N4004
51	1	DIODE	1N4004
52	1	DIODE	1N4004
53	1	DIODE	1N4004
54	1	DIODE	1N4004
55	1	DIODE	1N4004
56	1	DIODE	1N4004
57	1	DIODE	1N4004
58	1	DIODE	1N4004
59	1	DIODE	1N4004
60	1	DIODE	1N4004
61	1	DIODE	1N4004
62	1	DIODE	1N4004
63	1	DIODE	1N4004
64	1	DIODE	1N4004
65	1	DIODE	1N4004
66	1	DIODE	1N4004
67	1	DIODE	1N4004
68	1	DIODE	1N4004
69	1	DIODE	1N4004
70	1	DIODE	1N4004
71	1	DIODE	1N4004
72	1	DIODE	1N4004
73	1	DIODE	1N4004
74	1	DIODE	1N4004
75	1	DIODE	1N4004
76	1	DIODE	1N4004
77	1	DIODE	1N4004
78	1	DIODE	1N4004
79	1	DIODE	1N4004
80	1	DIODE	1N4004
81	1	DIODE	1N4004
82	1	DIODE	1N4004
83	1	DIODE	1N4004
84	1	DIODE	1N4004
85	1	DIODE	1N4004
86	1	DIODE	1N4004
87	1	DIODE	1N4004
88	1	DIODE	1N4004
89	1	DIODE	1N4004
90	1	DIODE	1N4004
91	1	DIODE	1N4004
92	1	DIODE	1N4004
93	1	DIODE	1N4004
94	1	DIODE	1N4004
95	1	DIODE	1N4004
96	1	DIODE	1N4004
97	1	DIODE	1N4004
98	1	DIODE	1N4004
99	1	DIODE	1N4004
100	1	DIODE	1N4004

DATA GENERAL CORPORATION  
SOUTHBRIDGE, MASS. 01772

TITLE NO. 349388 D

REV. 1.0

DATE: 11/11/74

DESIGNED BY: [ ]

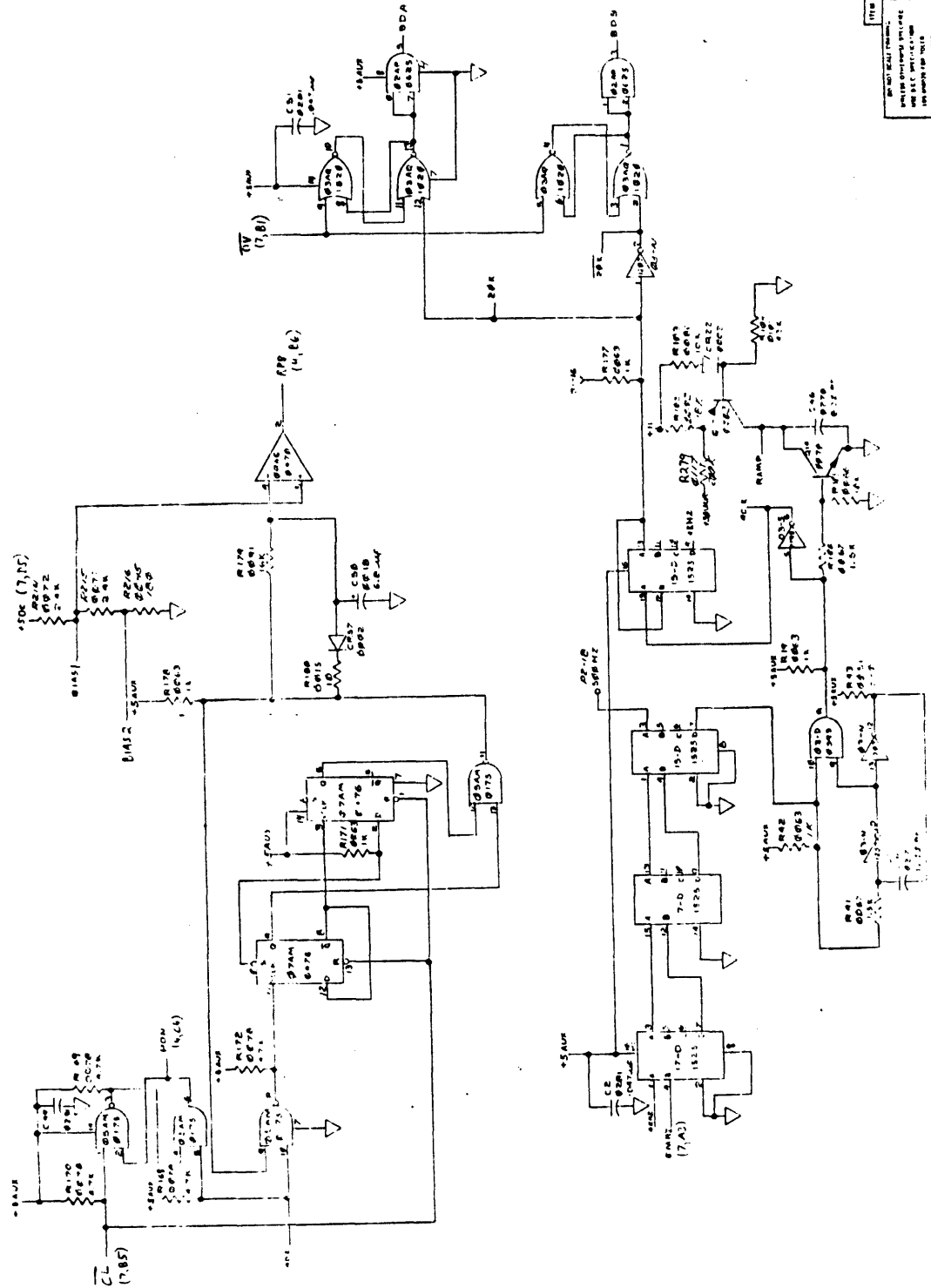
CHECKED BY: [ ]

APPROVED BY: [ ]

FIRST USED ON: [ ]

DATE: [ ]

BY: [ ]

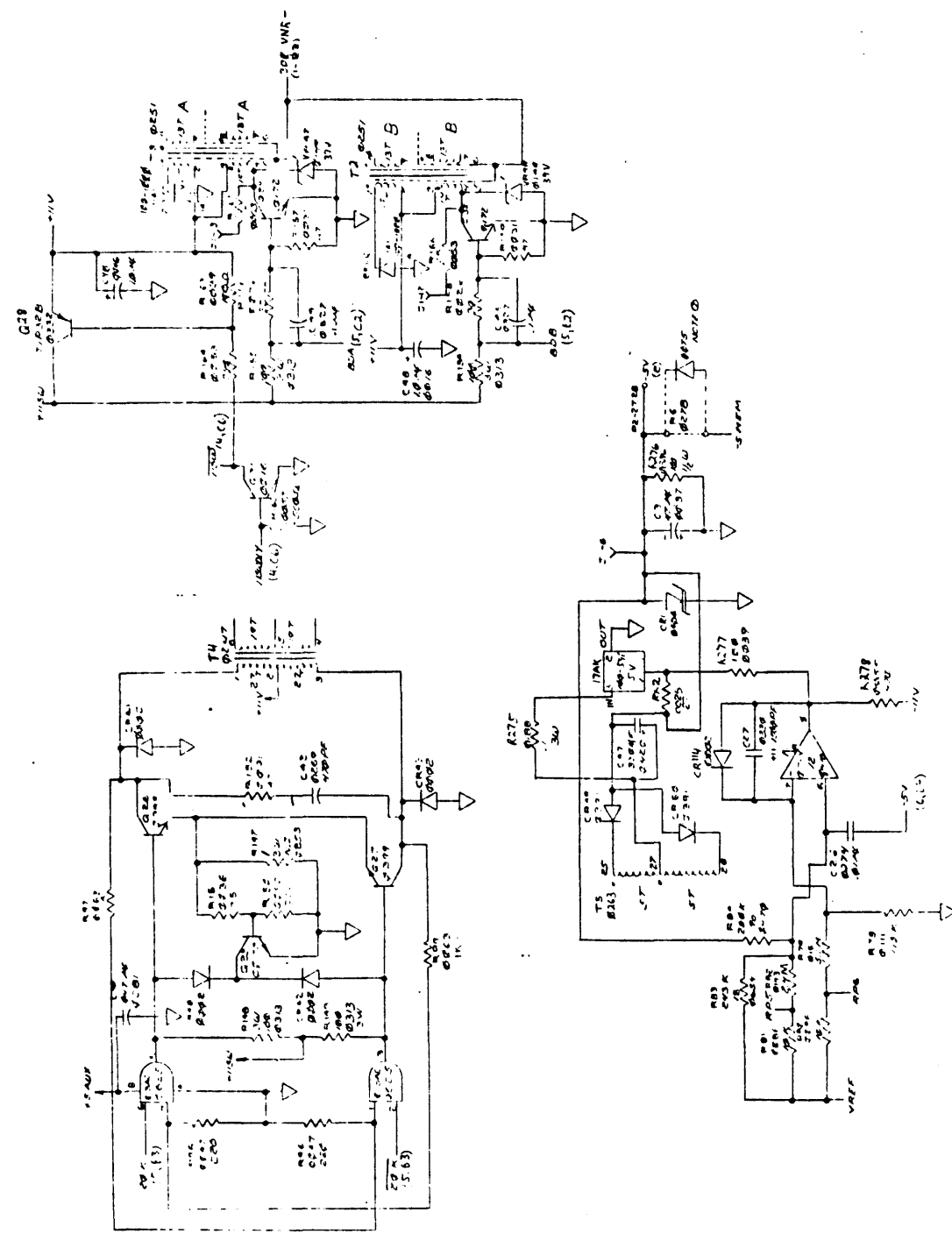


Sec. 1111 Class 2, Sub. 1, Description: Power Supply

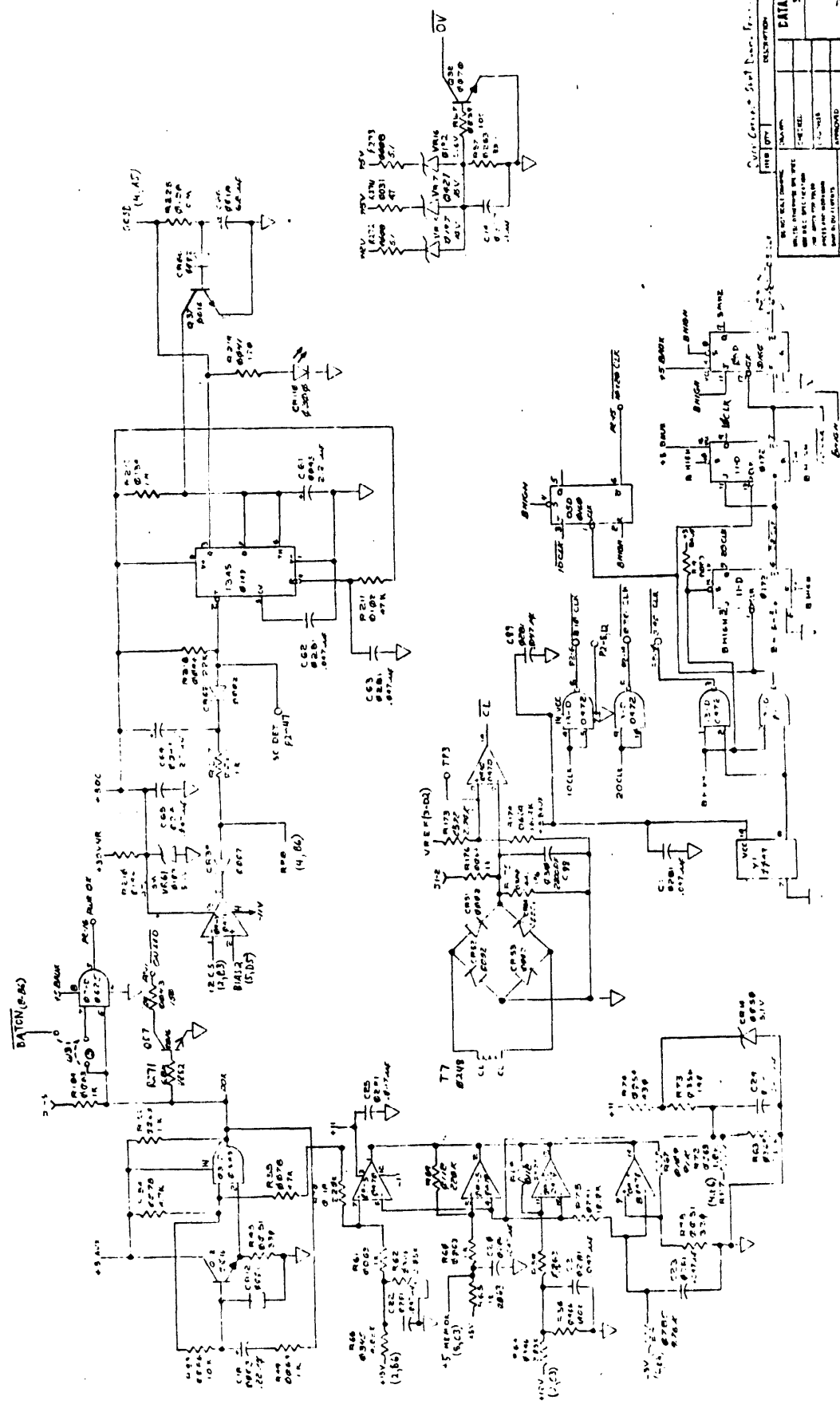
DATE	BY	CHKD	APP'D	REV	DESCRIPTION
10/15/58	J. J. ...	J. J. ...	J. J. ...	1	POWER SUPPLY

TITLE: POWER SUPPLY  
 DRAWN: J. J. ...  
 CHECKED: J. J. ...  
 APPROVED: J. J. ...  
 FIRST USED ON: ...  
 PART: 3498A D  
 DRAWING NUMBER: ...  
 SHEET: 5 OF 8

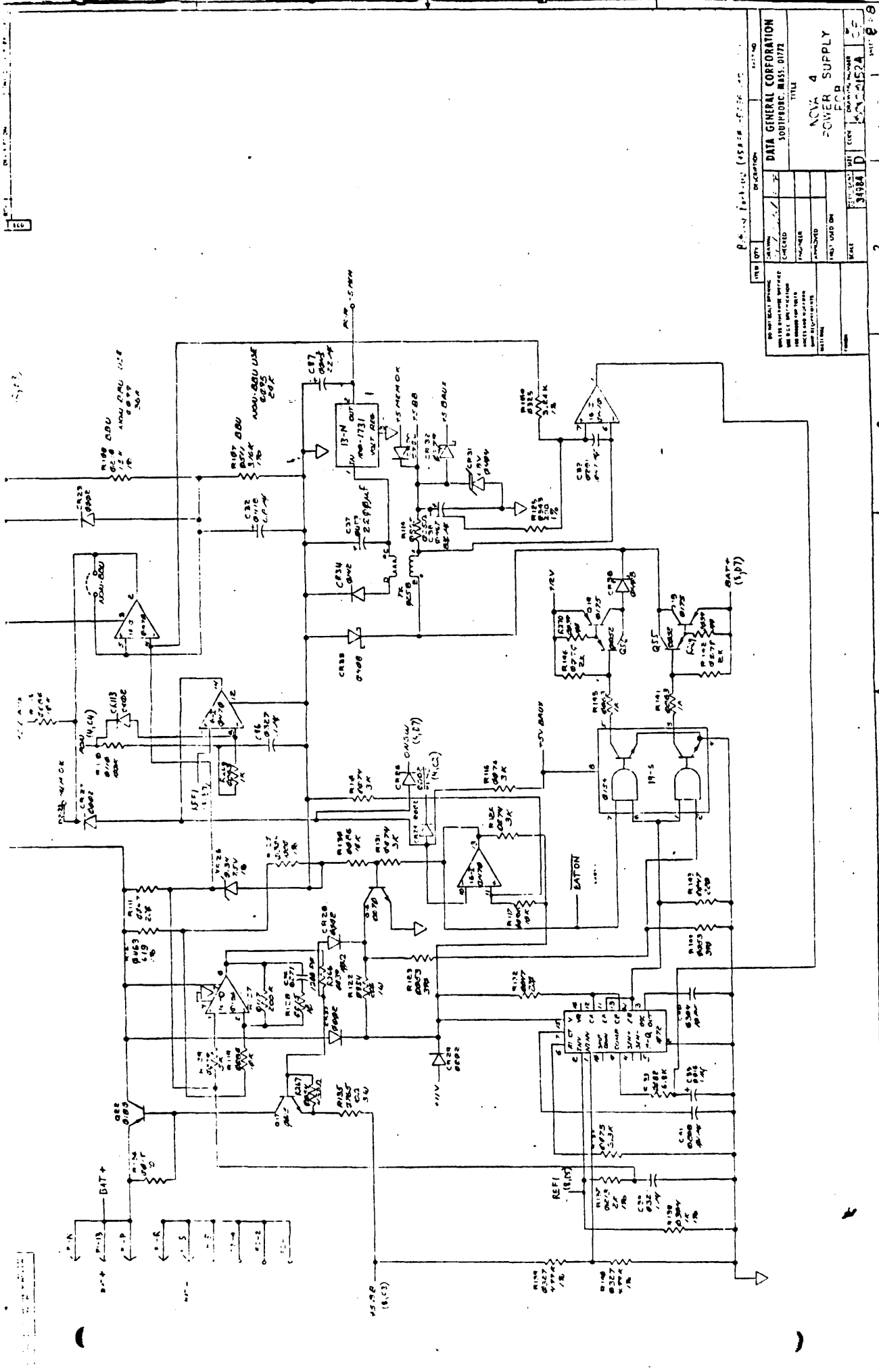
DATA GENERAL CORPORATION  
 SOUTH BORD, MASS 01772



REV	QTY	DESCRIPTION	REV. NO.
1	1	DATA GENERAL CORPORATION	
2	1	SUBINTEGRATED CIRCUIT	
3	1	POWER SUPPLY	
4	1	PCB	
5	1	PCB	
6	1	PCB	
7	1	PCB	
8	1	PCB	
9	1	PCB	
10	1	PCB	
11	1	PCB	
12	1	PCB	
13	1	PCB	
14	1	PCB	
15	1	PCB	
16	1	PCB	
17	1	PCB	
18	1	PCB	
19	1	PCB	
20	1	PCB	
21	1	PCB	
22	1	PCB	
23	1	PCB	
24	1	PCB	
25	1	PCB	
26	1	PCB	
27	1	PCB	
28	1	PCB	
29	1	PCB	
30	1	PCB	
31	1	PCB	
32	1	PCB	
33	1	PCB	
34	1	PCB	
35	1	PCB	
36	1	PCB	
37	1	PCB	
38	1	PCB	
39	1	PCB	
40	1	PCB	
41	1	PCB	
42	1	PCB	
43	1	PCB	
44	1	PCB	
45	1	PCB	
46	1	PCB	
47	1	PCB	
48	1	PCB	
49	1	PCB	
50	1	PCB	
51	1	PCB	
52	1	PCB	
53	1	PCB	
54	1	PCB	
55	1	PCB	
56	1	PCB	
57	1	PCB	
58	1	PCB	
59	1	PCB	
60	1	PCB	
61	1	PCB	
62	1	PCB	
63	1	PCB	
64	1	PCB	
65	1	PCB	
66	1	PCB	
67	1	PCB	
68	1	PCB	
69	1	PCB	
70	1	PCB	
71	1	PCB	
72	1	PCB	
73	1	PCB	
74	1	PCB	
75	1	PCB	
76	1	PCB	
77	1	PCB	
78	1	PCB	
79	1	PCB	
80	1	PCB	
81	1	PCB	
82	1	PCB	
83	1	PCB	
84	1	PCB	
85	1	PCB	
86	1	PCB	
87	1	PCB	
88	1	PCB	
89	1	PCB	
90	1	PCB	
91	1	PCB	
92	1	PCB	
93	1	PCB	
94	1	PCB	
95	1	PCB	
96	1	PCB	
97	1	PCB	
98	1	PCB	
99	1	PCB	
100	1	PCB	



DATE	11/17/68	BY	...
DESIGNED BY	...	CHECKED BY	...
APPROVED BY	...	TESTED BY	...
SCALE	...	QUANTITY	...
34984	D	...	...
DATA GENERAL CORPORATION SOUTH BRIDGE, MASS 01910			
TITLE PS-1 POWER SUPPLY PCB			
FORM	...	DRAWING NUMBER	...
...	...	...	...



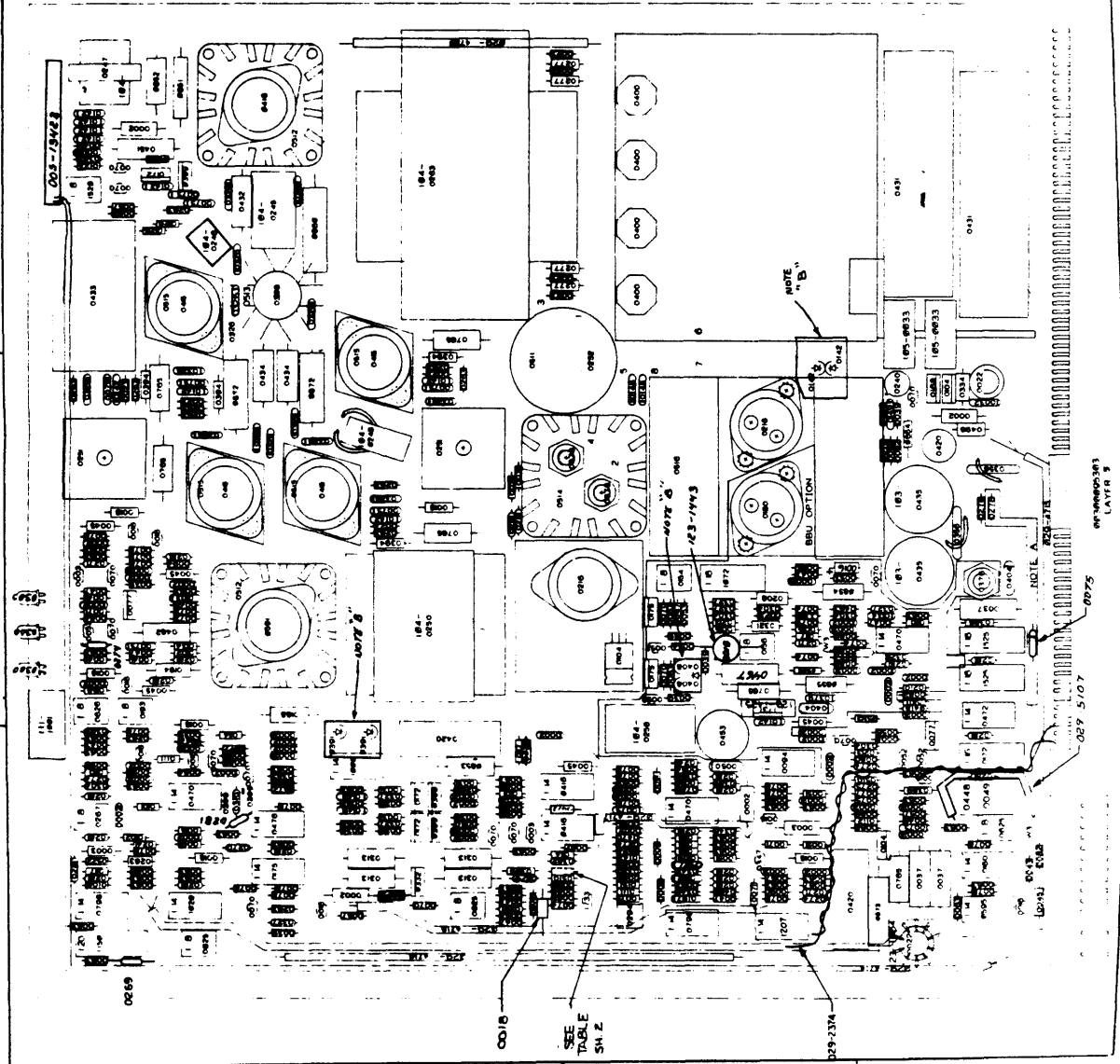
REV	DESCRIPTION	DATE
1	INITIAL DESIGN	11-1-60
2	REVISIONS	
3		
4		
5		
6		
7		

NO. OF SHEETS	1
TOTAL SHEETS	1
DESIGNER	J. J. KELLY
CHECKED	J. J. KELLY
APPROVED	J. J. KELLY
DATE	11-1-60
SCALE	AS SHOWN
TITLE	POWER SUPPLY
PROJECT NO.	34084 D
DRAWING NO.	34084 D-1
REV	DESCRIPTION
1	INITIAL DESIGN
2	REVISIONS
3	
4	
5	
6	
7	



REVISIONS			
REV	DESCRIPTION	DWG	DATE
00	PER ECO E 5166		
01	ECO E570A		
02	TIO E595		
03	ECO F806		
04	ECO F816		
05	ECO F84B		
06	ECO F862		
07	SEE ECO* F879		
08	ECO* F886		
09	ECO F888		
10	LECO G705		

107000953-03  
003000953-13



FIRST USED ON
005012062-U
005012061-T
005012064-T
005012063-U

DESIGNED BY	CHECKED BY	DATE

FIRST USED ON	SCALE	KEY LOCK
		34984

**DATA GENERAL CORPORATION**  
SOUTHBORO, MASS. 01772

TITLE  
IPL

**POWER SUPPLY**

SIZE C 1016 DRAWING NUMBER 0000953-13 REV 10

0075 0077 0089 0104 0105 0106 0107 0108 0109 0110 0111 0112 0113 0114 0115 0116 0117 0118 0119 0120 0121 0122 0123 0124 0125 0126 0127 0128 0129 0130 0131 0132 0133 0134 0135 0136 0137 0138 0139 0140 0141 0142 0143 0144 0145 0146 0147 0148 0149 0150 0151 0152 0153 0154 0155 0156 0157 0158 0159 0160 0161 0162 0163 0164 0165 0166 0167 0168 0169 0170 0171 0172 0173 0174 0175 0176 0177 0178 0179 0180 0181 0182 0183 0184 0185 0186 0187 0188 0189 0190 0191 0192 0193 0194 0195 0196 0197 0198 0199 0200

REV.	DESCRIPTION	DATE	APP. BY	DATE

REF. DESIGNATION	MS-2463 (WIBBU)	MS-12462 (WUWBU)
R108	102-210	102-094
R107	102-511	102-095
R5, R7	NOT INSTALLED	102-278
R6	101-075	102-278
W3 (FROM 07-D PIN7)	TO BATON NEAR R117	TO 07-D PIN6
R96	102-325	102-511
WIRE FOR CR2	029-9730	029-9911 STAND OFF
C32	103-818	103-818
CR32	101-002	101-002
ATK-J LOCATION	100-070 JUMPER (SOME) PLUS 215	

THIS DRAWING IS THE PROPERTY OF DATA GENERAL CORPORATION. IT IS TO BE USED ONLY FOR THE PROJECT AND SYSTEM FOR WHICH IT WAS PREPARED. IT IS NOT TO BE REPRODUCED OR TRANSMITTED IN ANY FORM OR BY ANY MEANS, ELECTRONIC OR MECHANICAL, INCLUDING PHOTOCOPYING, RECORDING, OR BY ANY INFORMATION STORAGE AND RETRIEVAL SYSTEM, WITHOUT THE WRITTEN PERMISSION OF DATA GENERAL CORPORATION.

DESIGNED	
CHECKED	
APPROVED	
ENGINEER	
FIRST USED ON	
SCALE	
LOG LABEL	34984

**DATA GENERAL CORPORATION**  
SOUTHBORO, MASS. 01772

**POWER SUPPLY**

ST. NO. 000688  
REV. 10

NOTE B: CR35/CR38, CR49, CR50 TO BE STOOD ON END ALLOWING NO LEAD LENGTH BETWEEN P.C.B AND DIODE!

