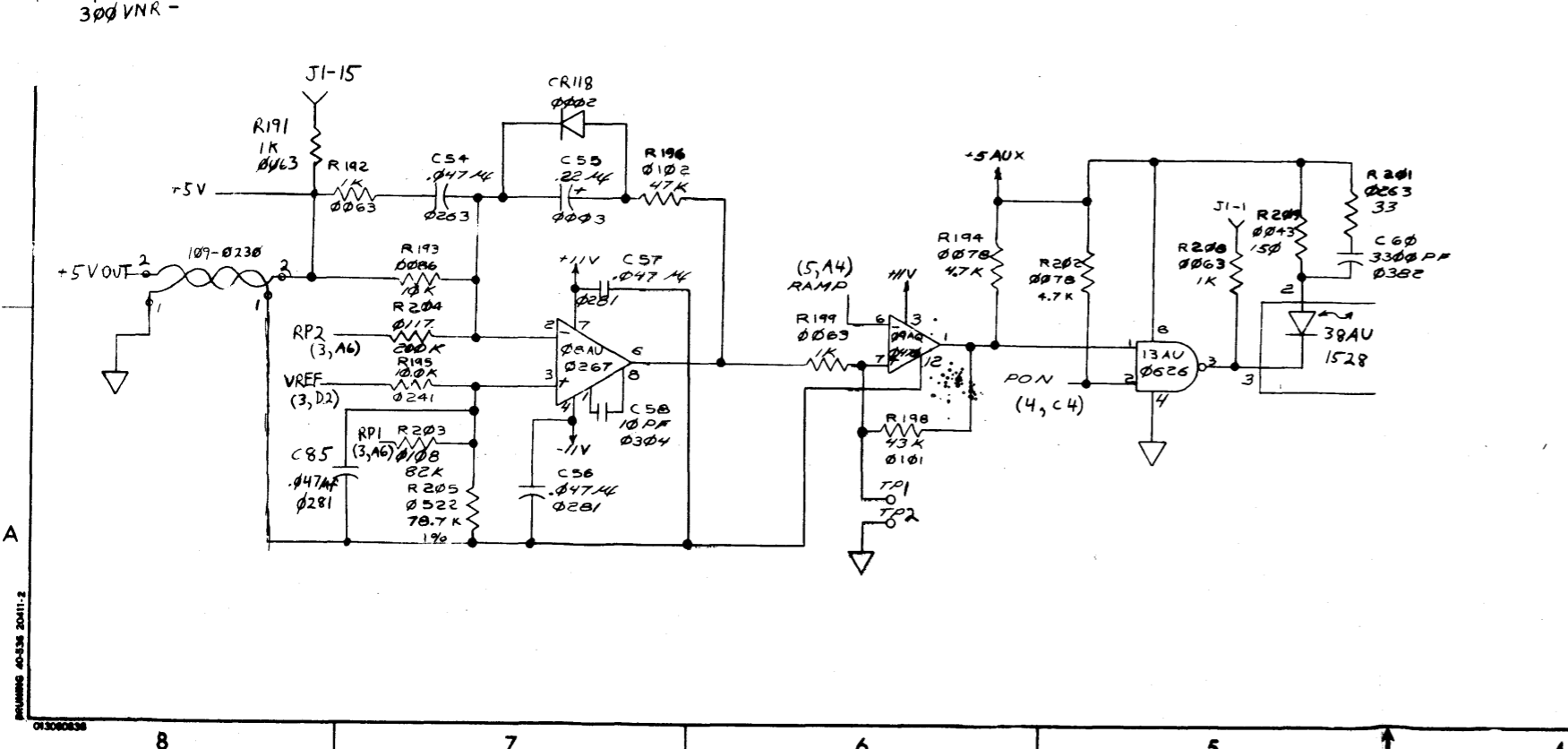
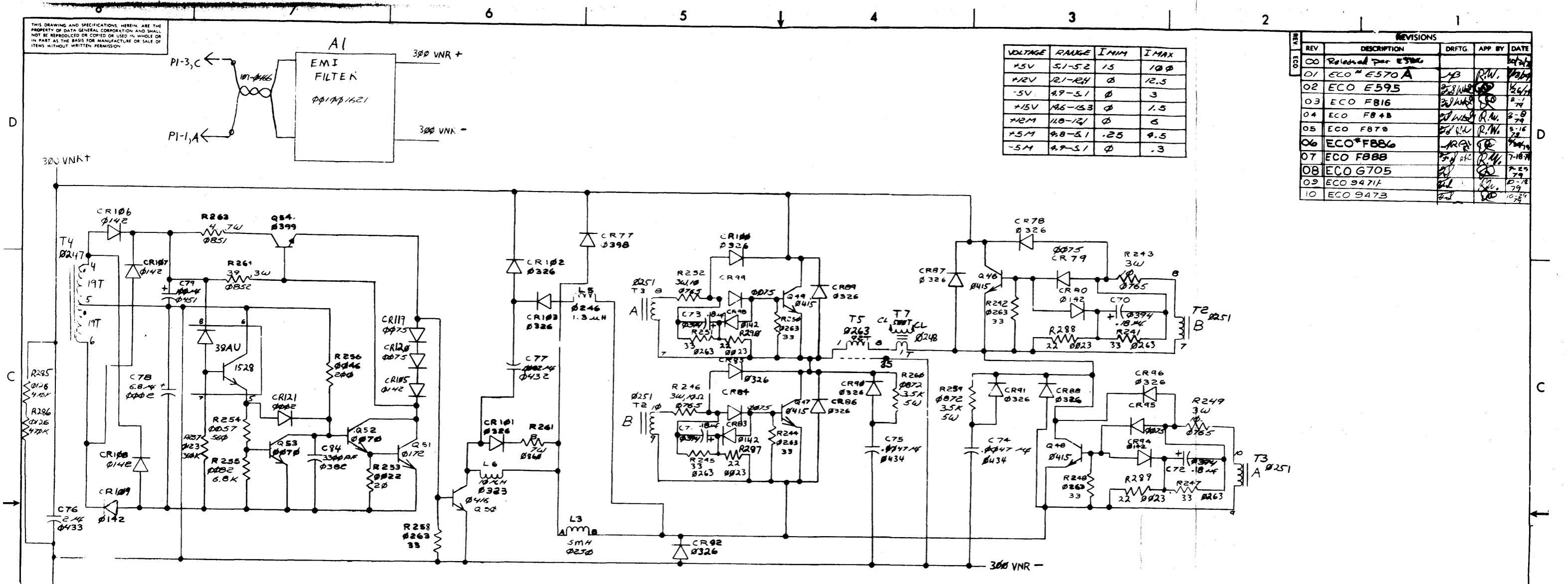


THIS DRAWING AND SPECIFICATIONS HEREIN ARE THE PROPERTY OF DATA GENERAL CORPORATION AND SHALL NOT BE REPRODUCED OR COPIED OR USED IN WHOLE OR IN PART AS THE BASIS FOR MANUFACTURE OR SALE OF ITEMS WITHOUT WRITTEN PERMISSION.

VOLTAGE	RANGE	IMIN	IMAX
+5V	51-52	15	100
+12V	121-124	0	12.5
-5V	49-51	0	3
+15V	146-153	0	1.5
+12M	110-121	0	5
+5M	48-51	.25	9.5
-5M	49-51	0	.3

REVISIONS				
REV	DESCRIPTION	DRFTG	APP BY	DATE
00	Released per E538C			10/27/78
01	ECO # E570 A		R.W.	11/24/78
02	ECO E595			12/14/78
03	ECO F816			2-1/79
04	ECO F848		R.W.	2-8/79
05	ECO F878		R.W.	5-16/79
06	ECO*F886			7-24/79
07	ECO F888			7-18/79
08	ECO G705			7-25/79
09	ECO 9471A			10-7/79
10	ECO 9473			10-27/79



WARNING: HAZARDOUS VOLTAGES EXIST ON THIS UNIT. SERVICE MUST ONLY BE PERFORMED BY QUALIFIED PERSONNEL.

SEE PAGE 3 FOR ALL NOTES.

TEST POINTS	
1	PDJA
2	CURRENT
3	FOR FAN
4	HVS
5	POK
6	-5V
7	+5AUX
8	H5V
9	GND
10	+12V
11	POW
12	Q30-C
13	Q29-C
14	VREF
15	+5V
16	POK

+5 Regulator, HV Switching Section

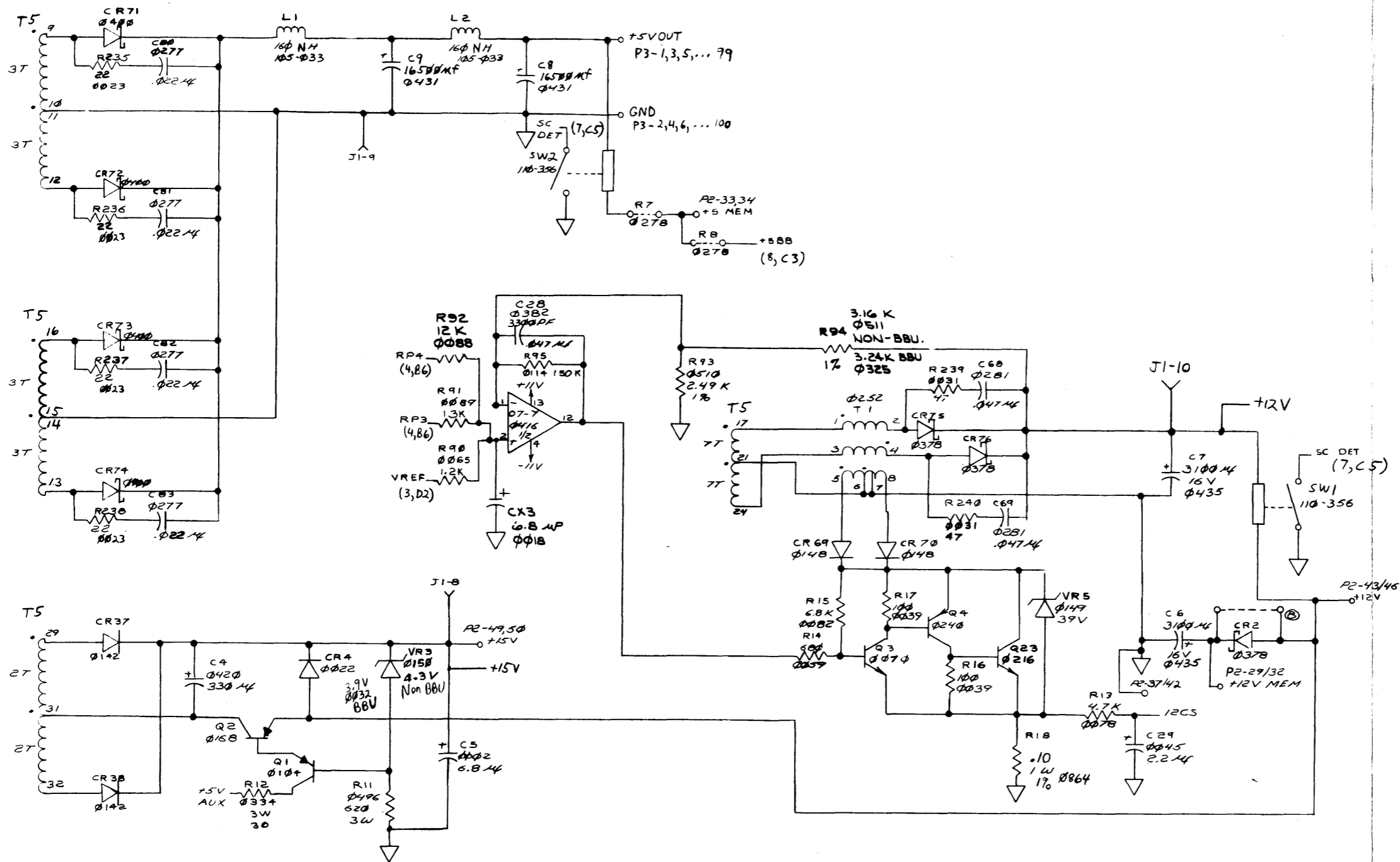
ITEM	QTY.	DESCRIPTION	PART NO.
1	1	DO NOT SCALE DRAWING. UNLESS OTHERWISE SPECIFIED USE D.G.C. SPECIFICATION 108-00028 FOR TOLERANCES AND WORKMANSHIP REQUIREMENTS	
2	1	DRAWN: Mark Bulak 12/14/78	
3	1	CHECKED: [Signature]	
4	1	ENGINEER: [Signature] 1/23/79	
5	1	APPROVED: [Signature] 10/17/78	
6	1	FIRST USED ON: 005-12002	
7	1	SCALE: 34984	
8	1	SIZE: D	
9	1	CODE: 001001524	
10	1	REV: 10	

**DATA GENERAL CORPORATION**  
SOUTHBORO, MASS. 01772

TITLE  
**NOVA 4 POWER SUPPLY PCB**

THIS DRAWING AND SPECIFICATIONS HEREIN ARE THE PROPERTY OF DATA GENERAL CORPORATION AND SHALL NOT BE REPRODUCED OR COPIED OR USED IN WHOLE OR IN PART AS THE BASIS FOR MANUFACTURE OR SALE OF ITEMS WITHOUT WRITTEN PERMISSION.

REVISIONS				
REV	DESCRIPTION	DRFTG	APP BY	DATE
1				



+5V Output, +12 Output + Regulator, +15 Regulator

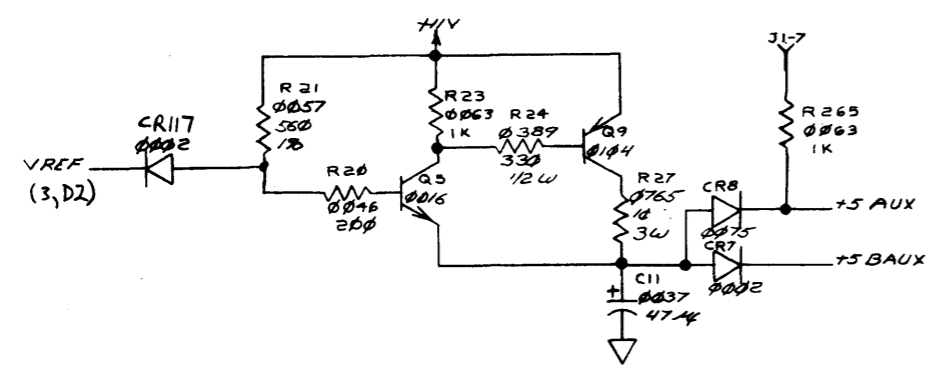
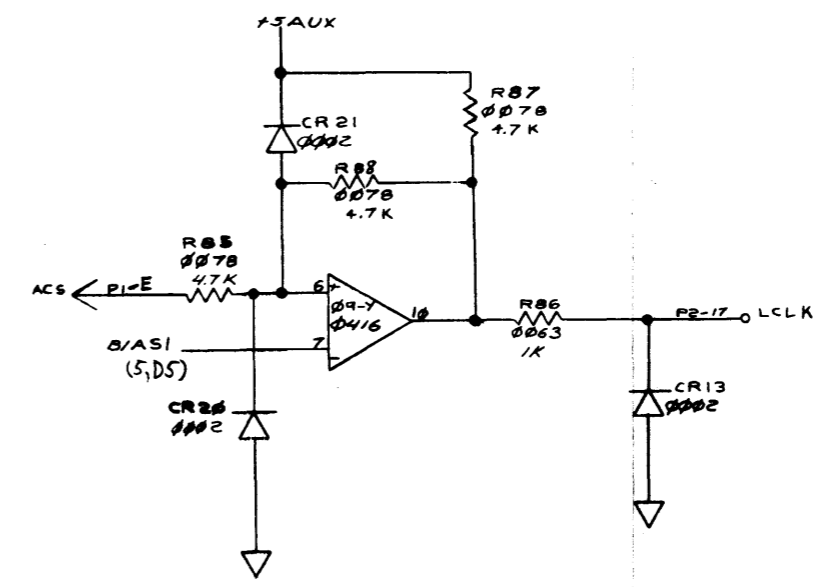
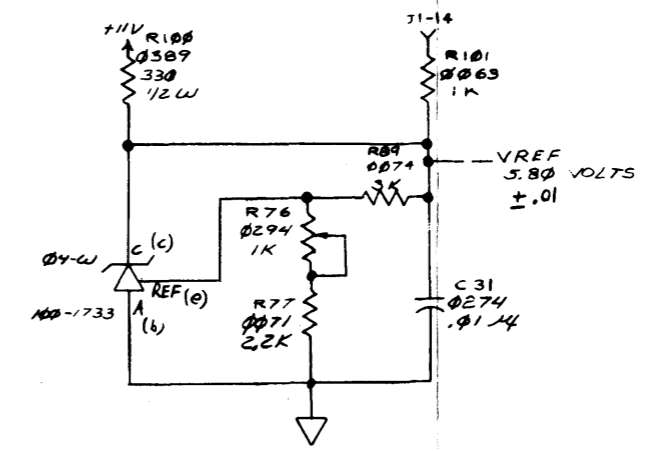
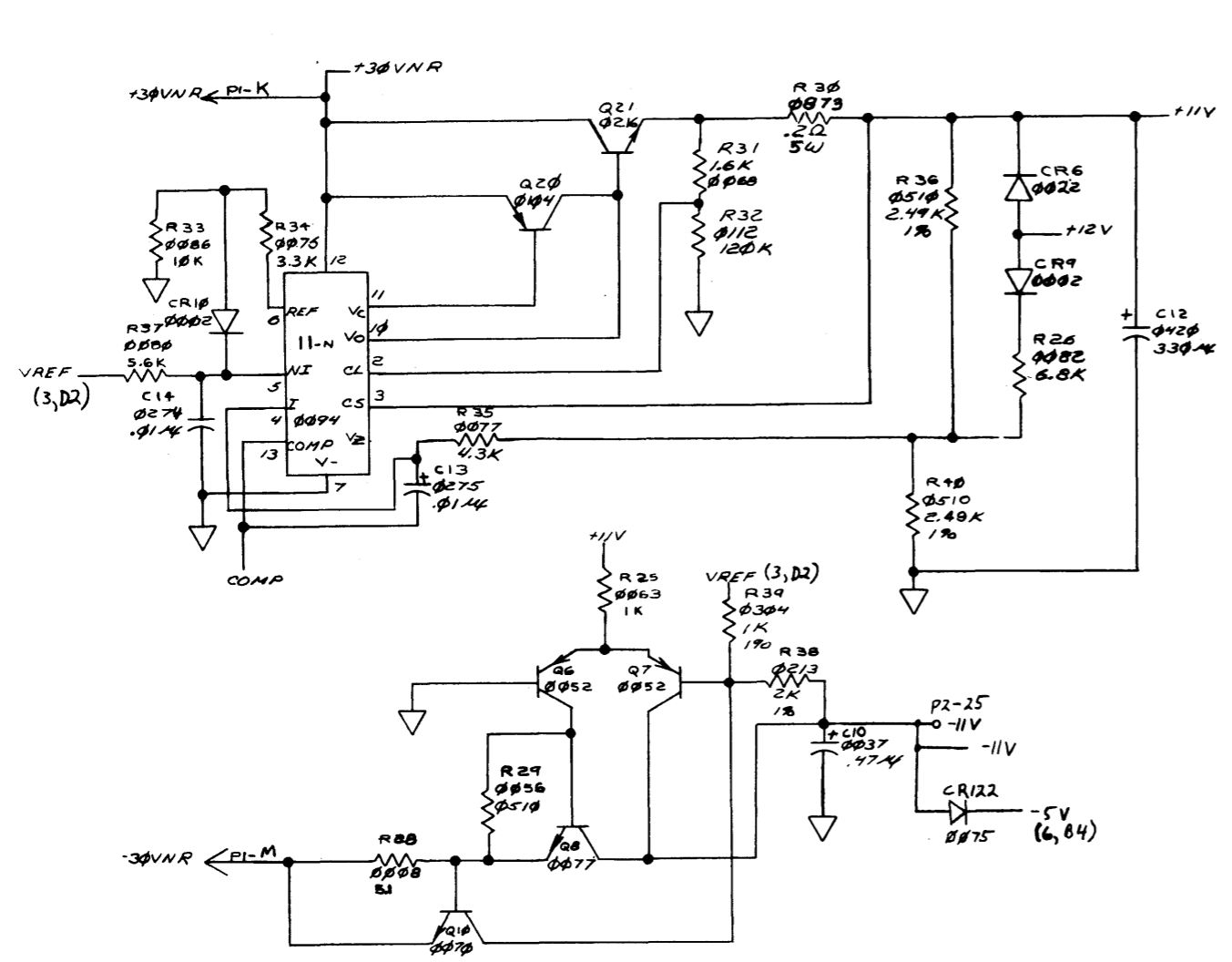
ITEM	QTY	DESCRIPTION	PART NO.
DO NOT SCALE DRAWING			
UNLESS OTHERWISE SPECIFIED USE DGC SPECIFICATION 108 000028 FOR TOLERANCES AND WORKMANSHIP REQUIREMENTS			
MATERIAL			
FINISH			
DRAWN		Mark Buhle 22472	
CHECKED			
ENGINEER			
APPROVED			
FIRST USED ON			
SCALE			
CODE IDENT.	34984	SIZE	D
CODE		DRAWING NUMBER	001001524 10

**DATA GENERAL CORPORATION**  
SOUTHBORO, MASS. 01772

TITLE  
**NOVA 4**  
**POWER SUPPLY**  
**PCB**

THIS DRAWING AND SPECIFICATIONS, HEREIN, ARE THE PROPERTY OF DATA GENERAL CORPORATION AND SHALL NOT BE REPRODUCED OR COPIED OR USED IN WHOLE OR IN PART AS THE BASIS FOR MANUFACTURE OR SALE OF ITEMS WITHOUT WRITTEN PERMISSION.

REVISIONS				
REV	DESCRIPTION	DRAFTG	APP BY	DATE



- NOTES:
- = 50 EDGE PIN CONNECTORS
  - ← = HIGH VOLTAGE EDGE CONNECTORS
  - HIGH = PULL UP RESISTOR TO +5 AUX USE AS NEEDED.
  - TP = TO TEST POINT AT FRONT OF CARD
  - TP X = TERMI-PIN TEST POINT
  - W3 CONNECTS TO BATO0 FOR BBU VERSION, TO 07-D PING FOR NON-BBU VERSION.
  - R5, R7 NOT INSTALLED ON BBU VERSION.
  - R6 IS 102-0270 FOR BBU VERSION, 101-0075 FOR NON-BBU VERSION.
  - CR2 INSTALLED ON BBU VERSION, REPLACED BY JUMPER WIRE ON NON-BBU VERSION.
  - CR35-CR38, CR99, CR59 TO BE STOOD ON END ALLOWING NO LEAD LENGTH BETWEEN P.C.B AND DIODE.
  - ALL COMPONENTS ON PAGE B ARE FOR BATTERY BACKUP ONLY EXCEPT R107, R108, C32, CR23 AND ASSOCIATED JUMPER.

+11, -11, and +5Aux Regulators, VRef, LClock

ITEM	QTY	DESCRIPTION	PART NO

DO NOT SCALE DRAWING. UNLESS OTHERWISE SPECIFIED USE D.G.C. SPECIFICATION 100-00028 FOR TOLERANCES AND WORKMANSHIP REQUIREMENTS.		DRAWN: <i>Bobak</i> 2-28-78		DATA GENERAL CORPORATION SOUTHBORO, MASS. 01772	
MATERIAL		ENGINEER		TITLE	
FINISH		APPROVED		NOVA 4 POWER SUPPLY PCB	
		FIRST USED ON		DRAWING NUMBER	
		SCALE		CODE IDENT.	
				SIZE	
				CODE	
				DRAWING NUMBER	
				REV	
				34904	
				D	
				001001524	
				10	

THIS DRAWING AND SPECIFICATIONS HEREIN ARE THE PROPERTY OF DATA GENERAL CORPORATION AND SHALL NOT BE REPRODUCED OR COPIED OR USED IN WHOLE OR IN PART AS THE BASIS FOR MANUFACTURE OR SALE OF ITEMS WITHOUT WRITTEN PERMISSION

REVISIONS				
REV	DESCRIPTION	DRFTG	APP BY	DATE
1				

D

C

B

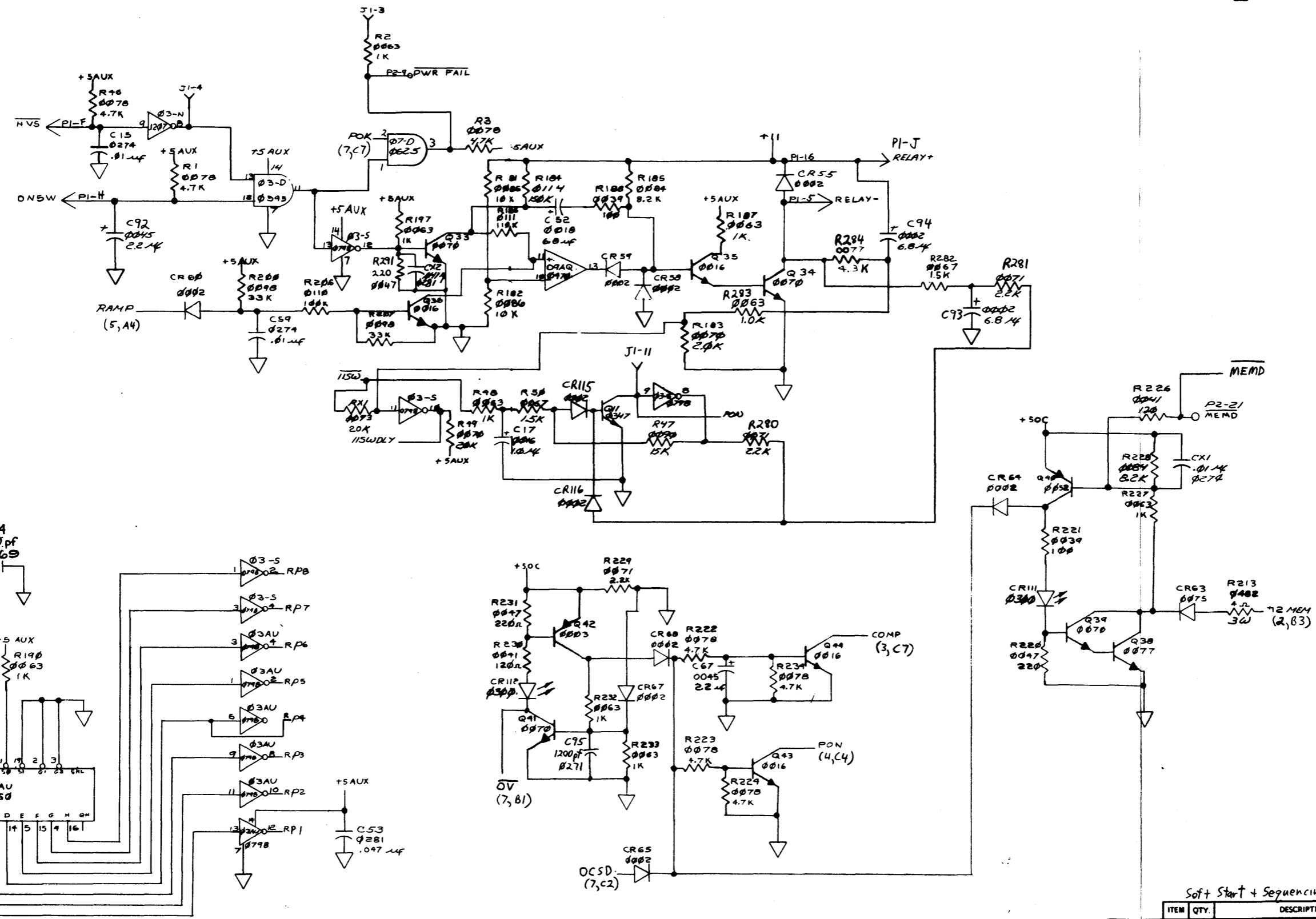
A

D

C

B

A

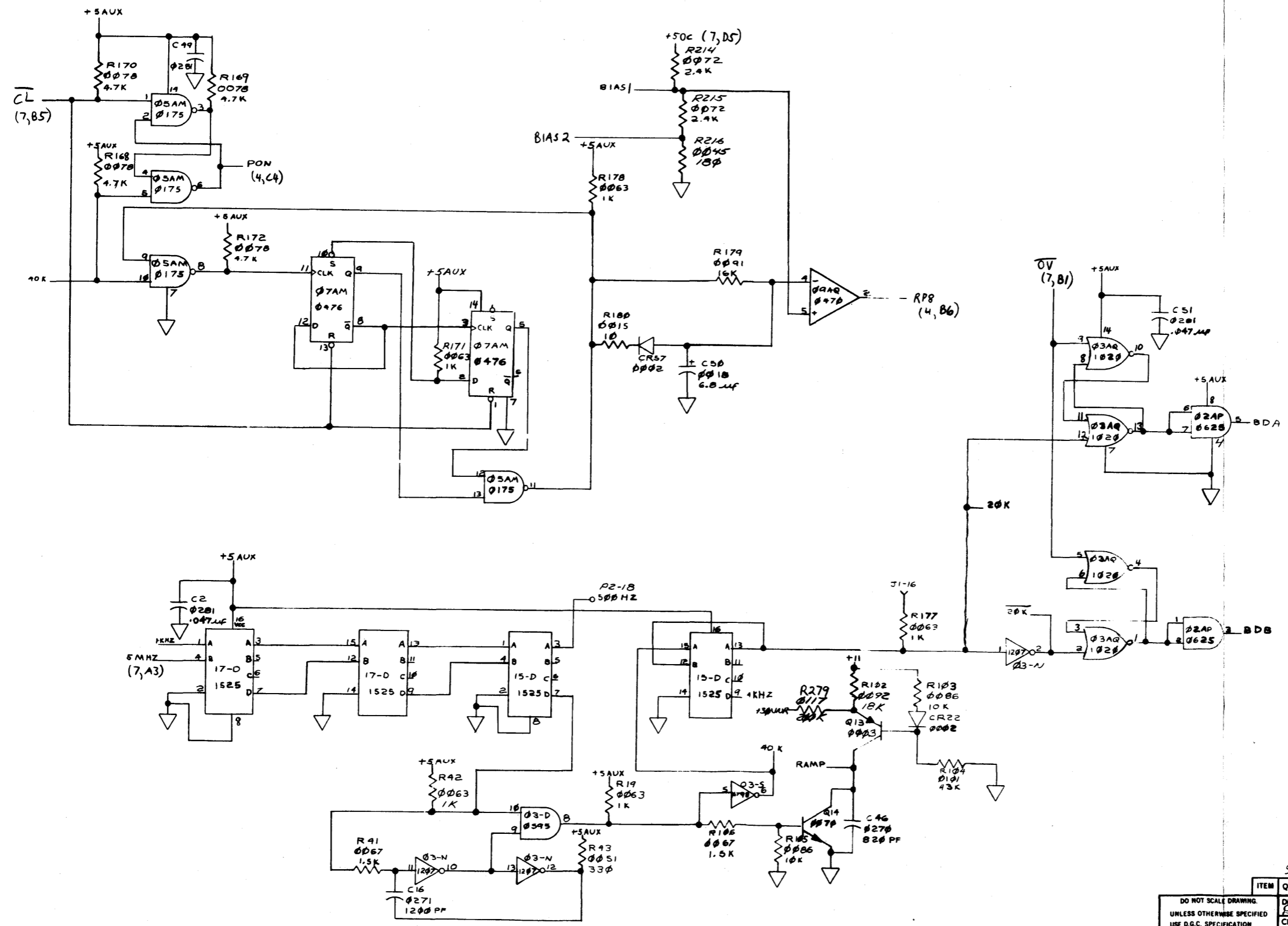


Soft Start + Sequencing, Remote Program, Emergency Latch

ITEM	QTY.	DESCRIPTION	PART NO.
DO NOT SCALE DRAWING. UNLESS OTHERWISE SPECIFIED USE D.G.C. SPECIFICATION 108-000028 FOR TOLERANCES AND WORKMANSHIP REQUIREMENTS.			
DRAWN		DATA GENERAL CORPORATION	
CHECKED		SOUTHBORO, MASS. 01772	
ENGINEER		TITLE	
APPROVED		NOVA 4	
FIRST USED ON		POWER SUPPLY	
MATERIAL		PCB	
FINISH		SCALE	
		CODE IDENT.	SIZE
		34984	D
		CODE	DRAWING NUMBER
			001001524
		REV	10
		108	1
		SHEET 4 of 8	

THIS DRAWING AND SPECIFICATIONS HEREIN ARE THE PROPERTY OF DATA GENERAL CORPORATION AND SHALL NOT BE REPRODUCED OR COPIED OR USED IN WHOLE OR IN PART AS THE BASIS FOR MANUFACTURE OR SALE OF ITEMS WITHOUT WRITTEN PERMISSION.

REVISIONS				
REV.	DESCRIPTION	DRFTG.	APP. BY	DATE
ECO				



Secondary Clock Dividers, Overcurrent Center

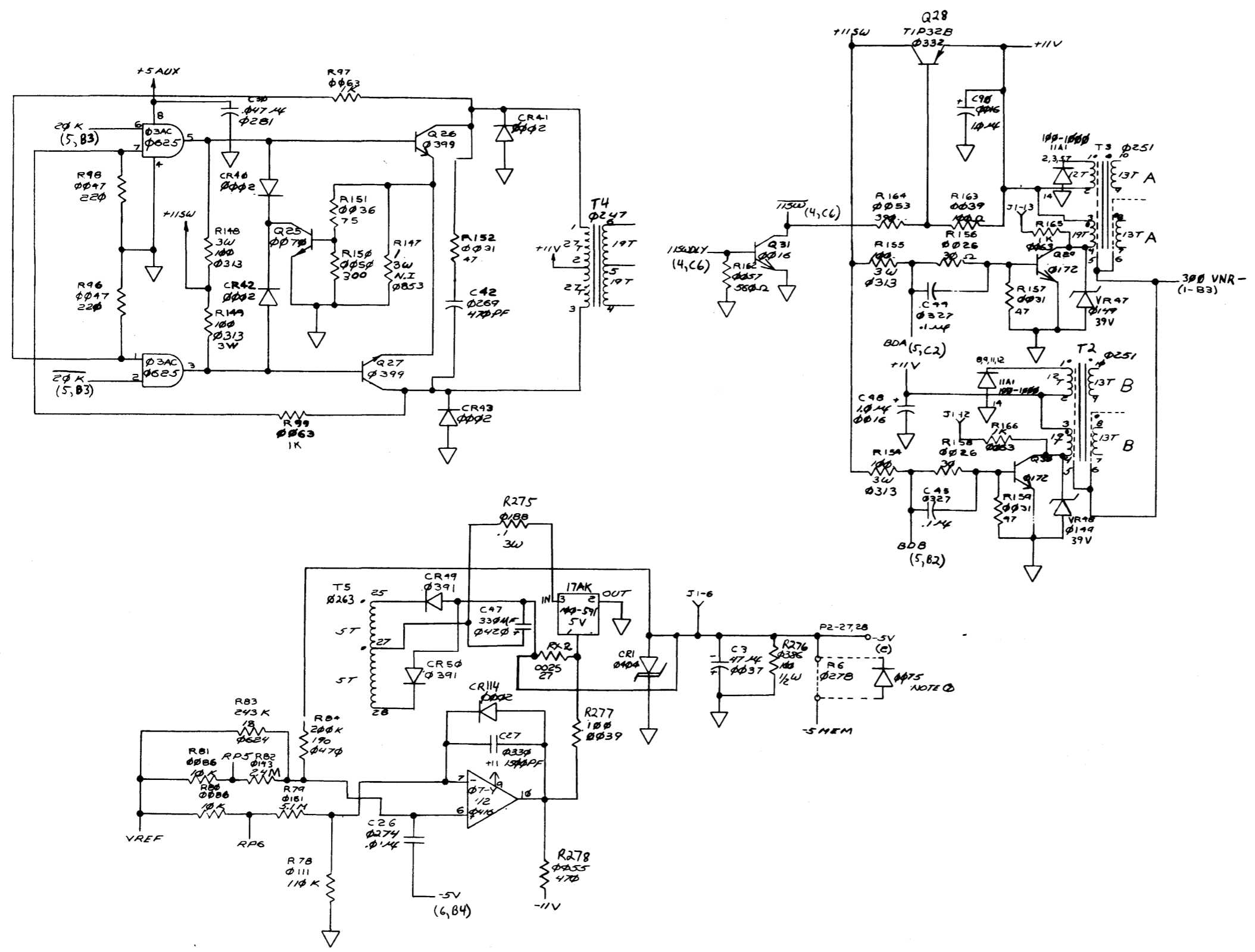
DO NOT SCALE DRAWING. UNLESS OTHERWISE SPECIFIED USE D.G.C. SPECIFICATION 108-00028 FOR TOLER- ANCES AND WORKMAN- SHIP REQUIREMENTS	ITEM	QTY.	DESCRIPTION	PART NO.
	DRAWN <i>Ena...</i>			
	CHECKED			
	ENGINEER			
APPROVED				
FIRST USED ON				
SCALE				
FINISH	CODE IDENT.	SIZE	CODE	DRAWING NUMBER
	34984	D		001001524
				REV. 10

**DATA GENERAL CORPORATION**  
SOUTHBORO, MASS. 01772

TITLE  
**NOVA 4  
POWER SUPPLY  
PCB**

THIS DRAWING AND SPECIFICATIONS HEREIN ARE THE PROPERTY OF DATA GENERAL CORPORATION AND SHALL NOT BE REPRODUCED OR COPIED OR USED IN WHOLE OR IN PART AS THE BASIS FOR MANUFACTURE OR SALE OF ITEMS WITHOUT WRITTEN PERMISSION.

REVISIONS				
REV	DESCRIPTION	DRFTG	APP BY	DATE
ECO				



Base Drivers (Primary side), -5 Volt Output

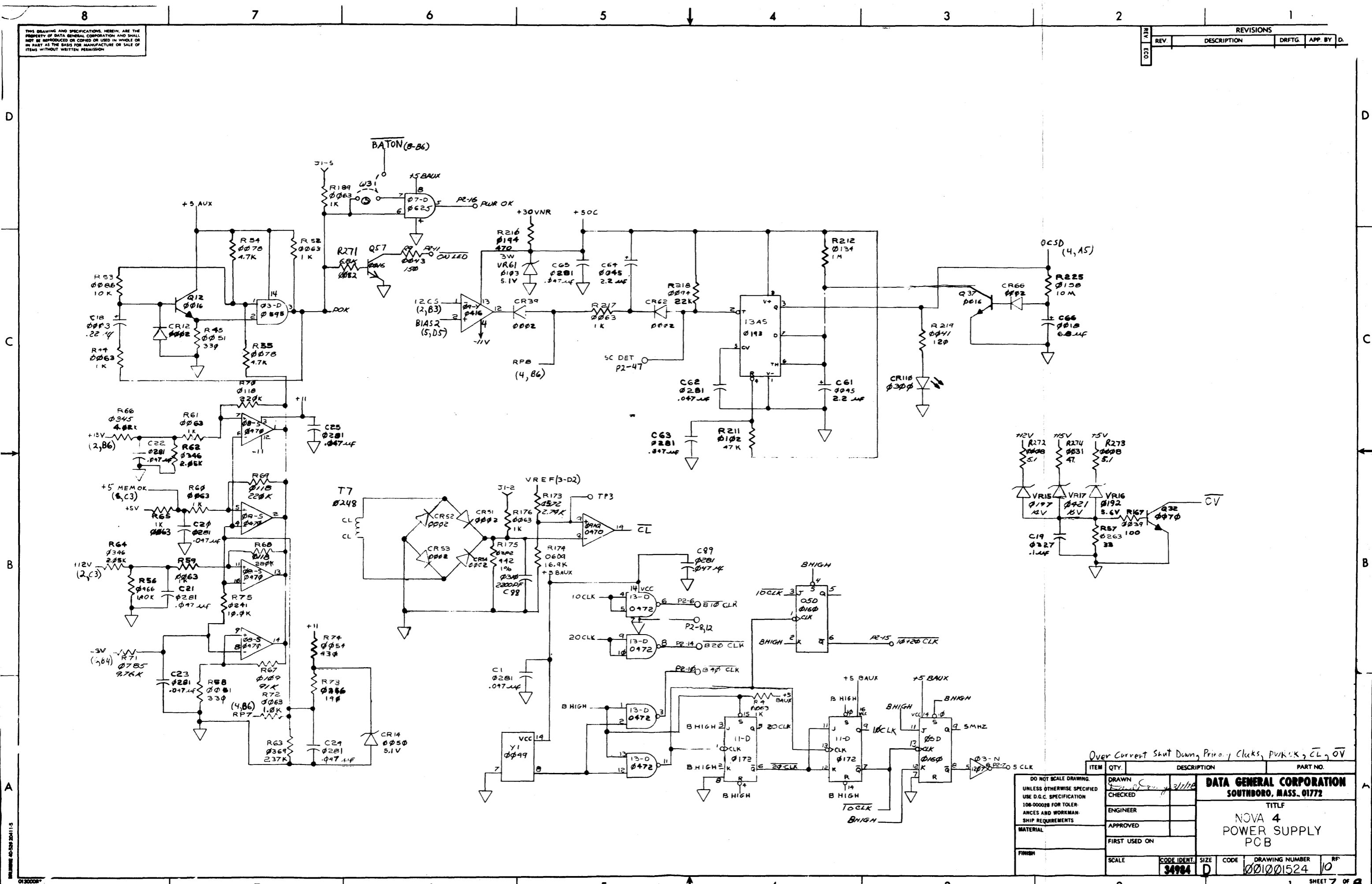
ITEM	QTY.	DESCRIPTION	PART NO.
DO NOT SCALE DRAWING. UNLESS OTHERWISE SPECIFIED USE D.G.C. SPECIFICATION 108-00028 FOR TOLERANCES AND WORKMANSHIP REQUIREMENTS.			
DRAWN <i>Mark Bullock</i> 7/21/70		DATA GENERAL CORPORATION SOUTHBORO, MASS. 01772	
CHECKED		TITLE	
ENGINEER		NOVA 4 POWER SUPPLY PCB	
APPROVED		SCALE	
FIRST USED ON		CODE IDENT.	SIZE
		34984	D
		DRAWING NUMBER	REV
		001001524	10

REVISION 40-538 20411-2

A

THIS DRAWING AND SPECIFICATIONS, HEREIN, ARE THE PROPERTY OF DATA GENERAL CORPORATION AND SHALL NOT BE REPRODUCED OR COPIED OR USED IN WHOLE OR IN PART AS THE BASIS FOR MANUFACTURE OR SALE OF ITEMS WITHOUT WRITTEN PERMISSION

REVISIONS				
REV.	DESCRIPTION	DRAFTG.	APP. BY	D.



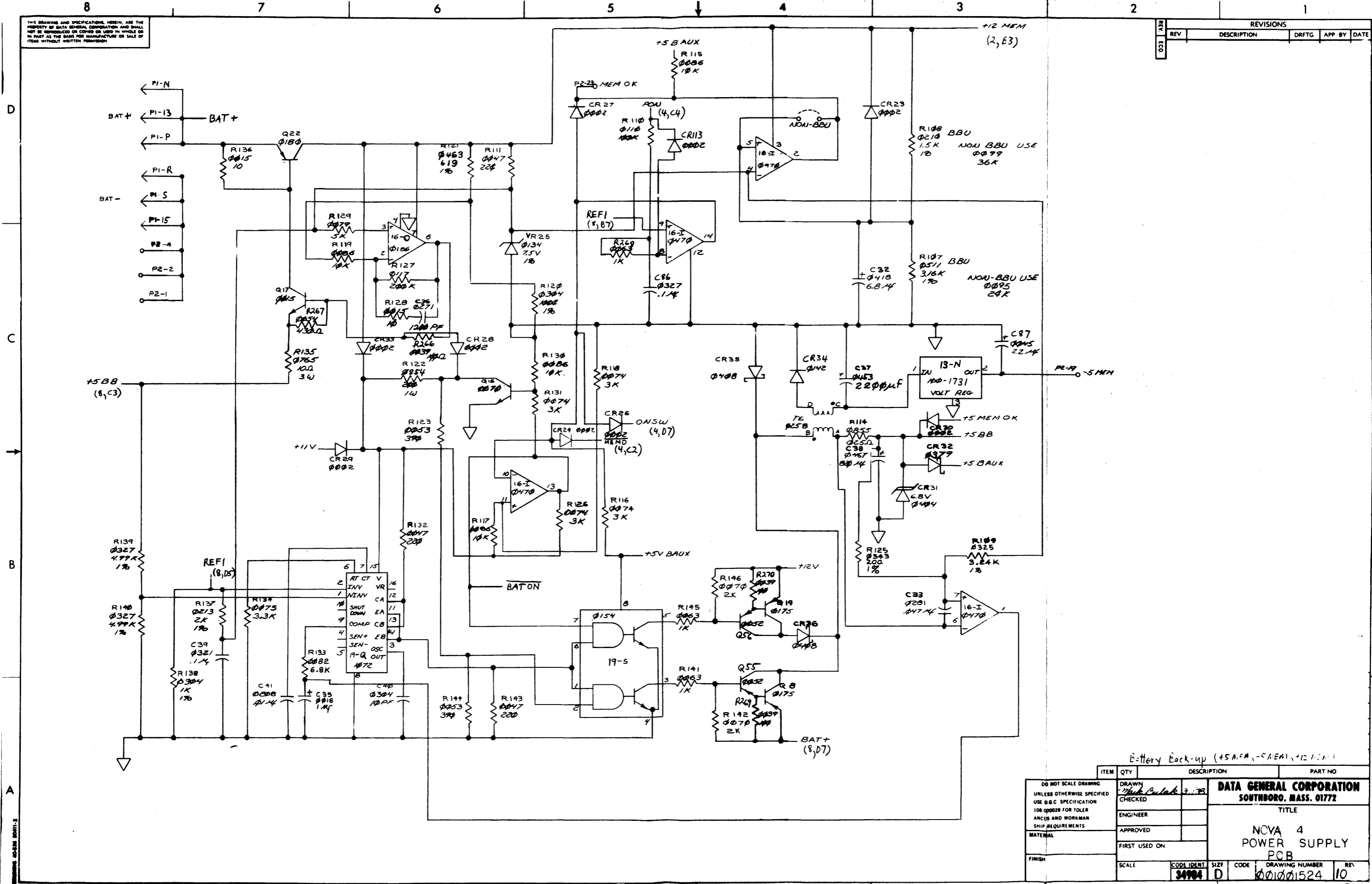
Over Current Shut Down, Priority Clocks, PWR CLK, CL, 0V

ITEM	QTY.	DESCRIPTION	PART NO.

DO NOT SCALE DRAWING. UNLESS OTHERWISE SPECIFIED USE D.G.C. SPECIFICATION 106-00028 FOR TOLER- ANCES AND WORKMAN- SHIP REQUIREMENTS	DRAWN CHECKED ENGINEER APPROVED FIRST USED ON	DATE 3/1/78	<b>DATA GENERAL CORPORATION</b> SOUTHBORO, MASS. 01772
MATERIAL		TITLE NOVA 4 POWER SUPPLY PCB	
FINISH	SCALE	CODE IDENT. 34984	SIZE D
		DRAWING NUMBER 001001524	RF 10

THIS DRAWING AND SPECIFICATIONS, HEREIN, ARE THE PROPERTY OF DATA GENERAL CORPORATION AND SHALL NOT BE REPRODUCED OR COPIED OR USED IN WHOLE OR IN PART AS THE BASIS FOR MANUFACTURE OR SALE OF ITEMS WITHOUT WRITTEN PERMISSION.

REVISIONS				
REV	DESCRIPTION	DRFTG	APP BY	DATE
ECO				



Battery Back-up (+5 MEM, -5 MEM, +12 MEM)

ITEM	QTY	DESCRIPTION	PART NO
DO NOT SCALE DRAWING			
UNLESS OTHERWISE SPECIFIED			
USE D.G.C. SPECIFICATION			
100.00028 FOR TOLERANCES AND WORKMANSHIP REQUIREMENTS			
MATERIAL			
FINISH			

DRAWN <i>Mark Bullock</i>		DATA GENERAL CORPORATION SOUTHBORO, MASS. 01772	
CHECKED		TITLE	
ENGINEER		NCVA 4 POWER SUPPLY PCB	
APPROVED		SCALE	
FIRST USED ON		CODE IDENT.	SIZE
		34984	D
		CODE	REV
		001001524	10

SHEET 8 OF 8