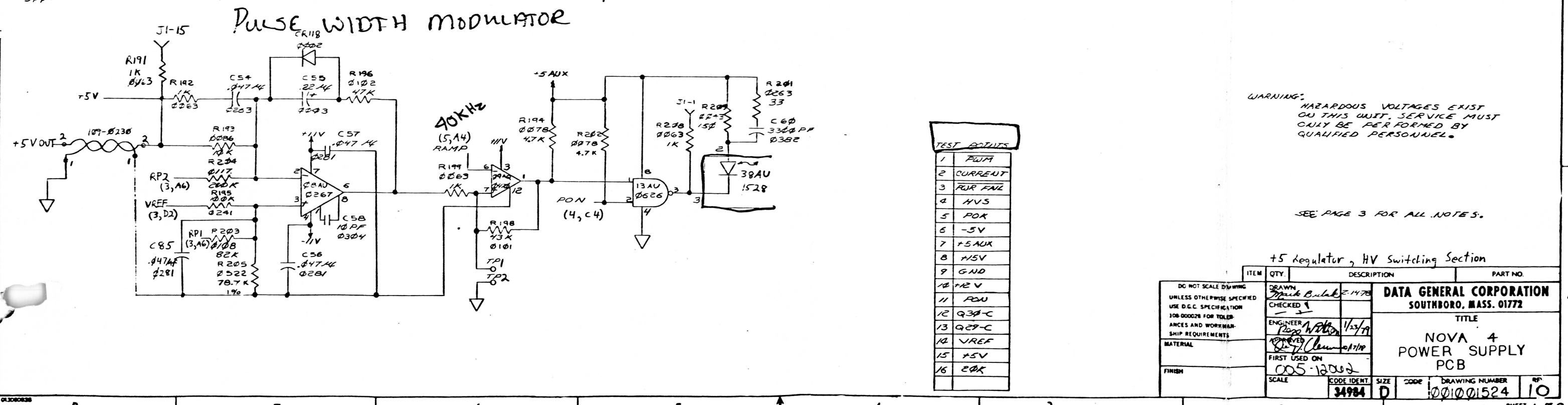
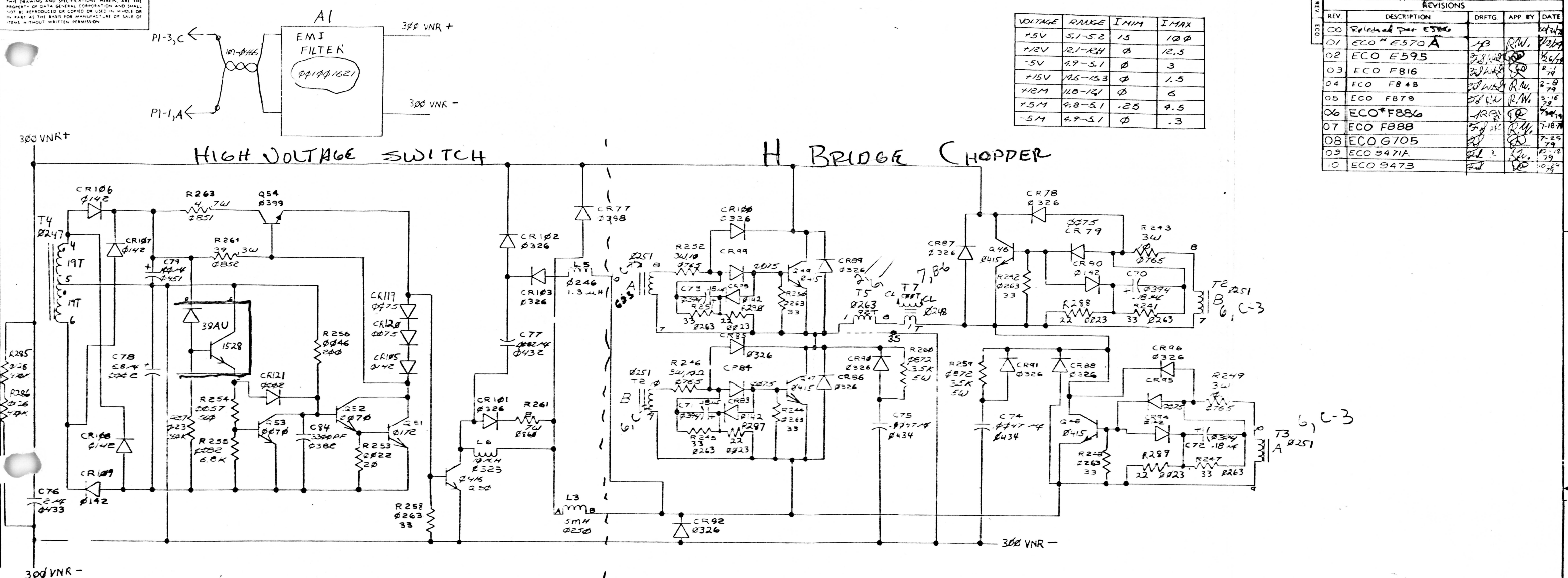


THIS DRAWING AND SPECIFICATIONS HEREIN, ARE THE PROPERTY OF DATA GENERAL CORPORATION AND SHALL NOT BE REPRODUCED OR COPIED OR USED IN WHOLE OR IN PART AS THE BASIS FOR MANUFACTURE OR SALE OF ITEMS WITHOUT WRITTEN PERMISSION.

VOLTAGE	RANGE	I MIN	I MAX
+5V	51-52	15	100
+12V	21-24	0	12.5
-5V	47-51	0	3
+15V	45-53	0	1.5
+12M	110-121	0	6
+5M	48-51	.25	4.5
-5M	47-51	0	.3

REVISIONS				
REV	DESCRIPTION	DRFTG	APP BY	DATE
00	Revised from E570			
01	ECO E570 A		R.W.	12/27/78
02	ECO E595		R.W.	1/26/79
03	ECO F816		R.W.	2/7/79
04	ECO F848		R.W.	2-8-79
05	ECO F879		R.W.	5-16-79
06	ECO*F886		R.W.	7-19-79
07	ECO F888		R.W.	7-18-79
08	ECO G705		R.W.	7-25-79
09	ECO 9471A		R.W.	7-29-79
10	ECO 9473		R.W.	10-24-79



WARNING: HAZARDOUS VOLTAGES EXIST ON THIS UNIT. SERVICE MUST ONLY BE PERFORMED BY QUALIFIED PERSONNEL.

SEE PAGE 3 FOR ALL NOTES.

+5 regulator, HV Switching Section

TEST POINTS	
1	FWT
2	CURRENT
3	RJR FNR
4	HVS
5	FOR
6	-5V
7	+5AUX
8	H5V
9	GND
10	+12V
11	POW
12	Q30-C
13	Q29-C
14	VREF
15	+5V
16	20K

ITEM	QTY	DESCRIPTION	PART NO.
10	1	DO NOT SCALE DIMENSIONS UNLESS OTHERWISE SPECIFIED	
11	1	USE D.G.C. SPECIFICATION JOB 000028 FOR TOLERANCES AND WORKMANSHIP REQUIREMENTS	
12	1	MATERIAL	
13	1	FINISH	
14	1	SCALE	
15	1	CODE IDENT	
16	1	SIZE	
17	1	CODE	
18	1	DRAWING NUMBER	
19	1	REV	

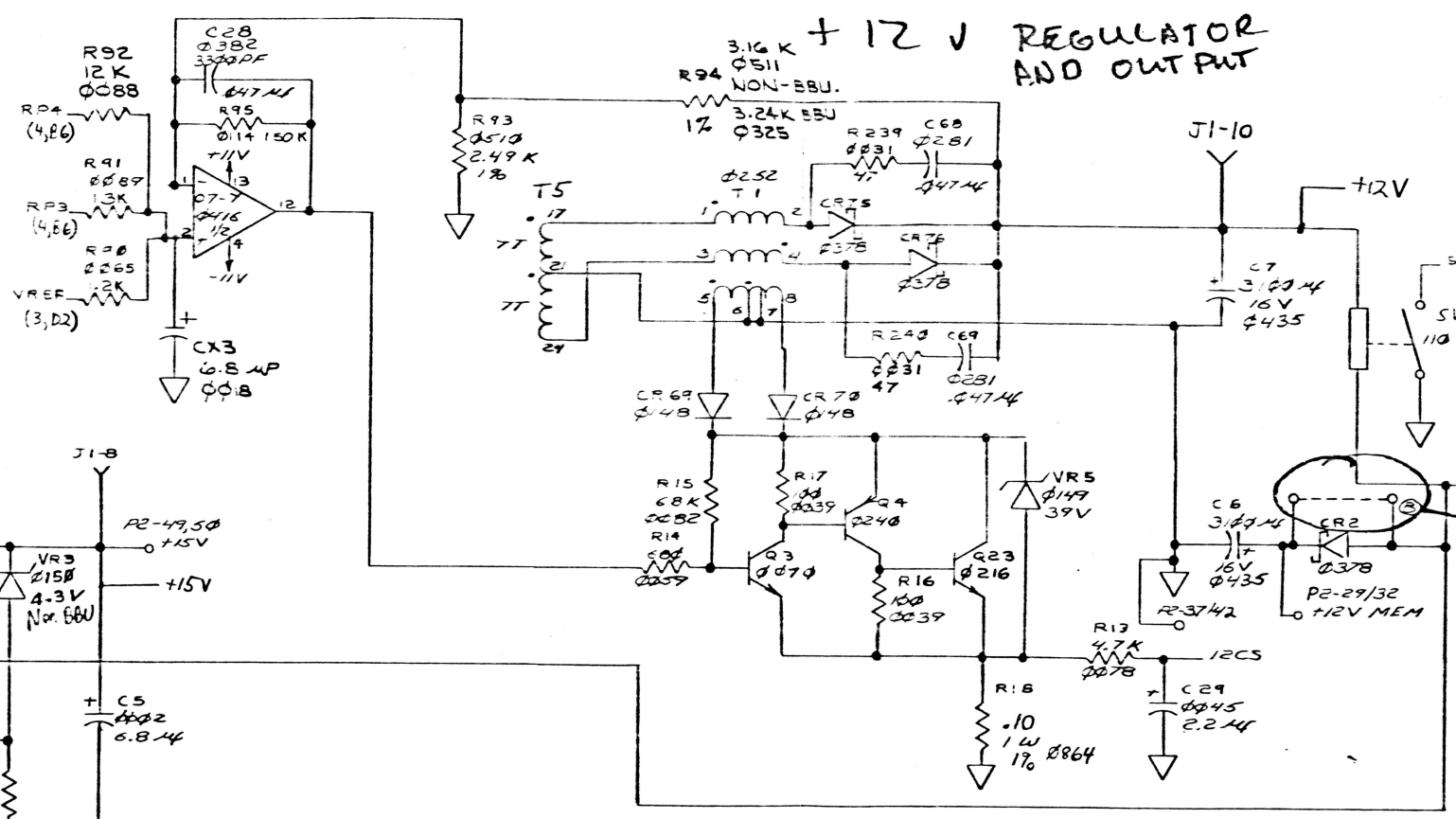
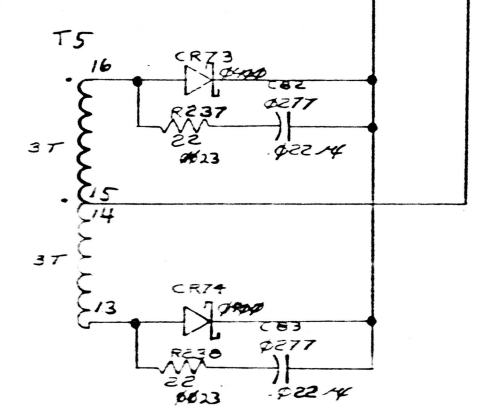
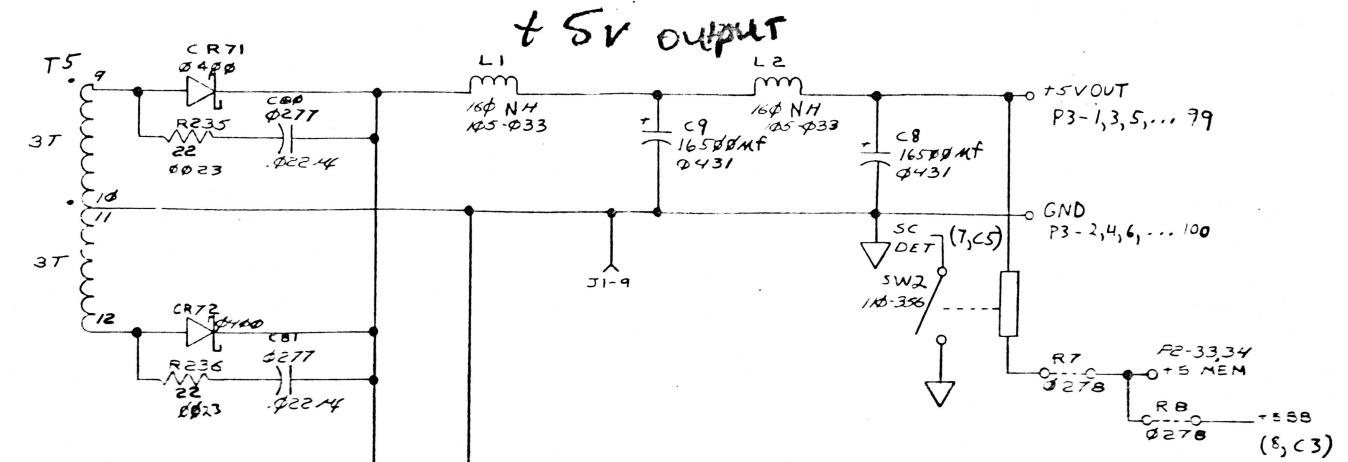
DATA GENERAL CORPORATION
SOUTHBORO, MASS. 01772

TITLE
NOVA 4 POWER SUPPLY PCB

SCALE: 34984 D 001001524 10

THIS DRAWING AND SPECIFICATIONS HEREIN ARE THE PROPERTY OF DATA GENERAL CORPORATION AND SHALL NOT BE REPRODUCED OR COPIED OR USED IN WHOLE OR IN PART AS THE BASIS FOR MANUFACTURE OR SALE OF ITEMS WITHOUT WRITTEN PERMISSION

REVISIONS				
REV	DESCRIPTION	DRFTG	APP BY	DATE



FOR BBU OPTION

RECO SW TRIP @ 22 AMPS

ITEM	QTY	DESCRIPTION	PART NO.

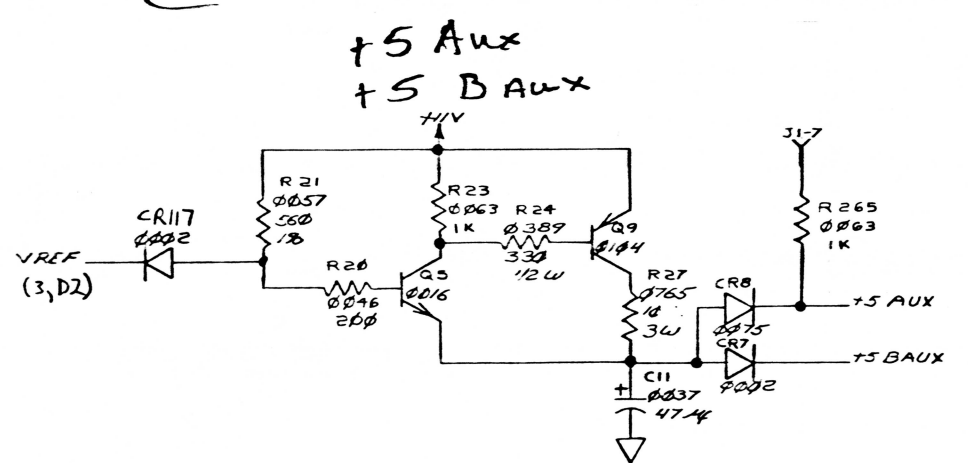
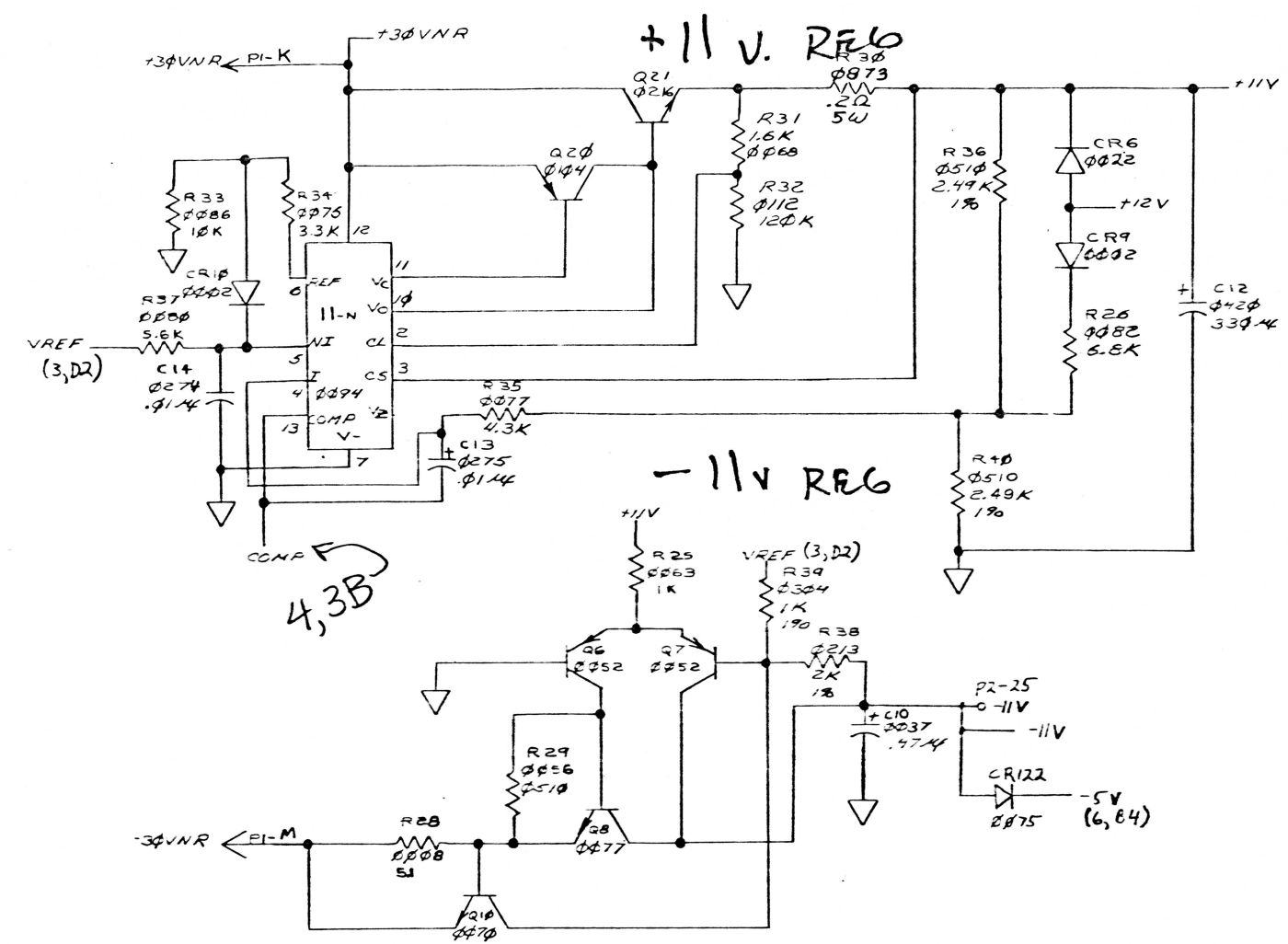
+5V Output, +12 Output + Regulator, +15 Regulator

DO NOT SCALE DRAWING UNLESS OTHERWISE SPECIFIED USE D.G.C. SPECIFICATION 106 000028 FOR TOLERANCES AND WORKMANSHIP REQUIREMENTS	DRAWN <i>Mark A. ...</i> CHECKED 	DATA GENERAL CORPORATION SOUTH BORO, MASS. 01772	
MATERIAL	ENGINEER	TITLE NOVA 4 POWER SUPPLY PCB	
FINISH	APPROVED	SCALE	CODE IDENT 34984
	FIRST USED ON	SIZE D	CODE 001001524
			DRAWING NUMBER 10

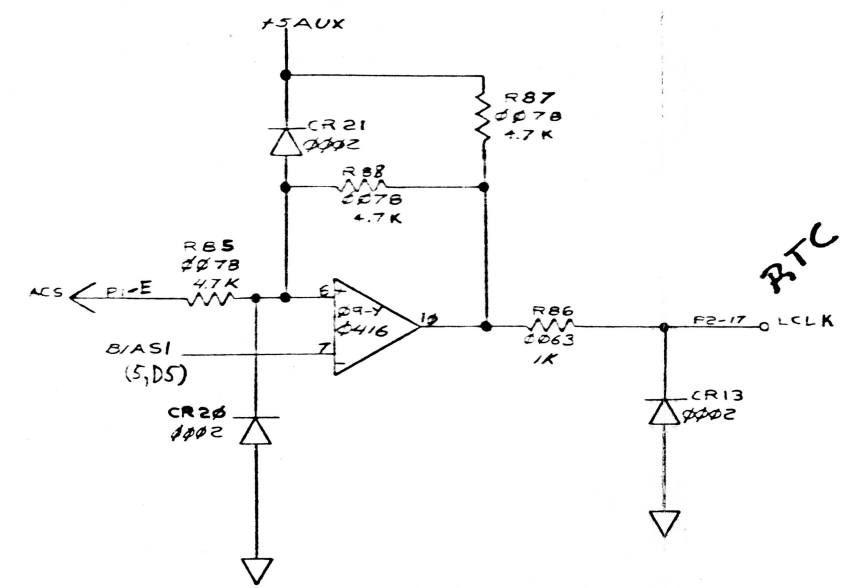
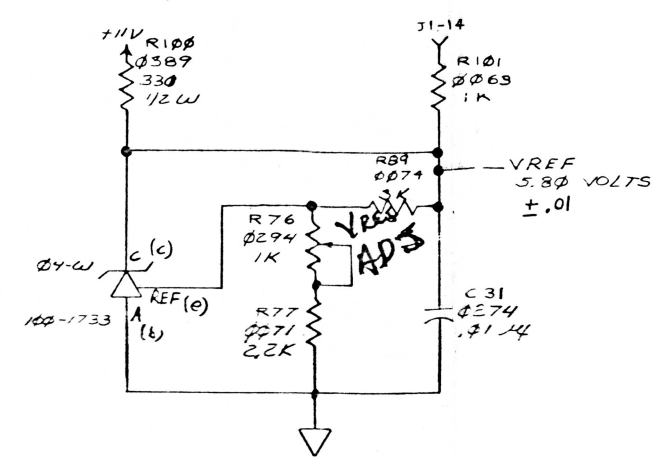
SHEET 2 OF 8

THIS DRAWING AND SPECIFICATIONS HEREIN ARE THE PROPERTY OF DATA GENERAL CORPORATION AND SHALL NOT BE REPRODUCED OR COPIED OR USED IN WHOLE OR IN PART AS THE BASIS FOR MANUFACTURE OR SALE OF ITEMS WITHOUT WRITTEN PERMISSION.

REVISIONS				
REV	DESCRIPTION	DRFTG	APP BY	DATE
ECO				



V REF REG.



- NOTES:
1. $\text{---} \circ \text{---}$ = 50 EDGE PIN CONNECTORS
 2. HIGH = PULL UP RESISTOR TO +5 AUX USE AS NEEDED.
 3. TP = TO TEST POINT AT FRONT OF CARD
 4. $\text{---} \circ \text{---}$ TP X = TERMI-PIN TEST POINT
 5. W3 CONNECTS TO BAT00 FOR BBU VERSION, TO 07-D RING FOR NON-BBU VERSION.
 6. R5, R7 NOT INSTALLED ON BBU VERSION.
 7. R6 IS 102-027B FOR BBU VERSION, 101-0075 FOR NON-BBU VERSION.
 8. CR2 INSTALLED ON BBU VERSION, REPLACED BY JUMPER WIRE ON NON-BBU VERSION.
 9. CR35-CR38, CR99, CR50 TO BE STOOD ON END ALLOWING NO LEAD LENGTH BETWEEN P.C.B. AND DIODE.
 10. ALL COMPONENTS ON PAGE B ARE FOR BATTERY BACKUP ONLY EXCEPT R07, R10B, C32, CR23 AND ASSOCIATED JUMPER.

+11, -11, and +5 Aux Regulators, V Ref, L Clock

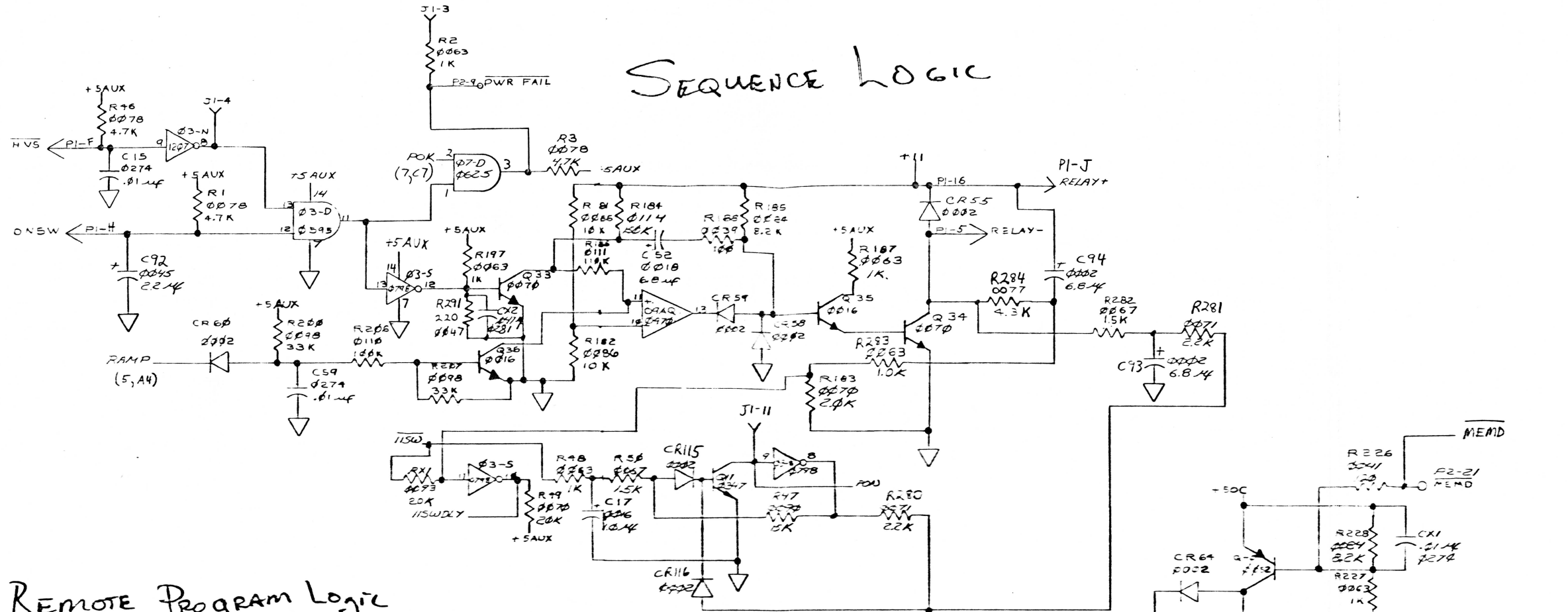
ITEM	QTY	DESCRIPTION	PART NO
DO NOT SCALE DRAWING			
UNLESS OTHERWISE SPECIFIED USE D.C. SPECIFICATION			
100-00028 FOR TOLERANCES AND WORKMANSHIP REQUIREMENTS			
MATERIAL			
FINISH			
SCALE	34984	CODE IDENT	D
SIZE		CODE	
DRAWING NUMBER	00001524		
SHEET	3	OF	8

DATA GENERAL CORPORATION
SOUTHBORO, MASS. 01772
TITLE
NOVA 4
POWER SUPPLY
PCB

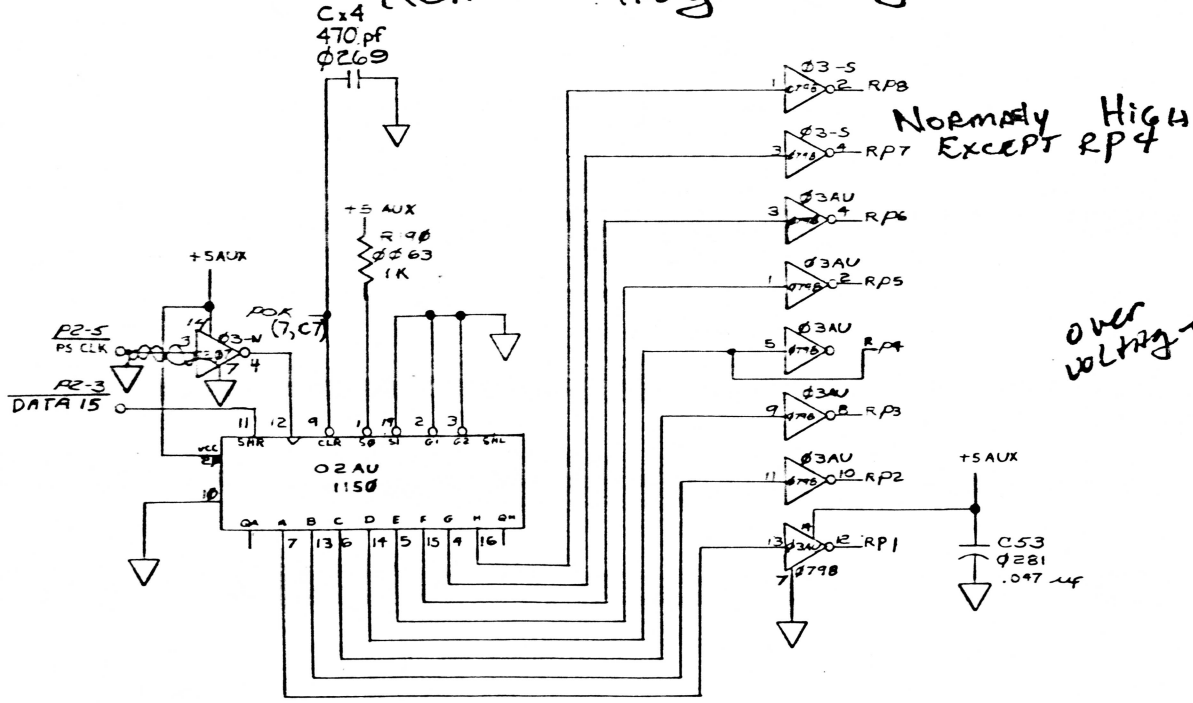
THIS DRAWING AND SPECIFICATIONS HEREIN ARE THE PROPERTY OF DATA GENERAL CORPORATION AND SHALL NOT BE REPRODUCED OR COPIED OR USED IN WHOLE OR IN PART AS THE BASIS FOR MANUFACTURE OR SALE OF ITEMS WITHOUT WRITTEN PERMISSION

REVISIONS				
REV	DESCRIPTION	DRFTG	APP BY	DATE

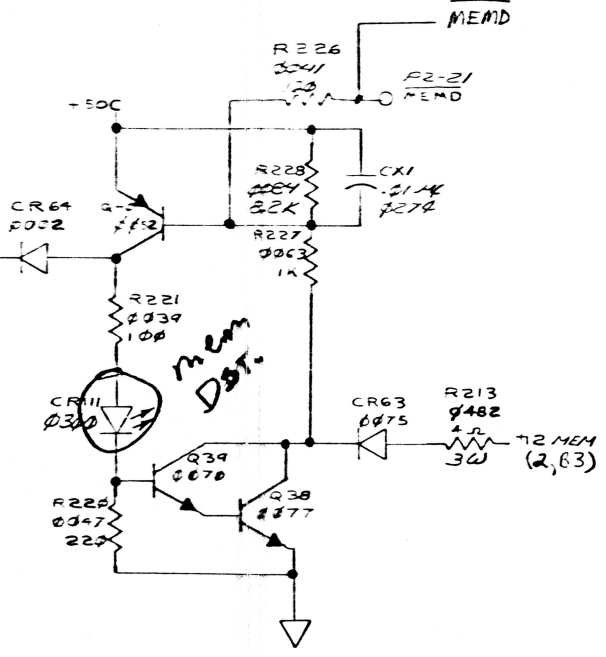
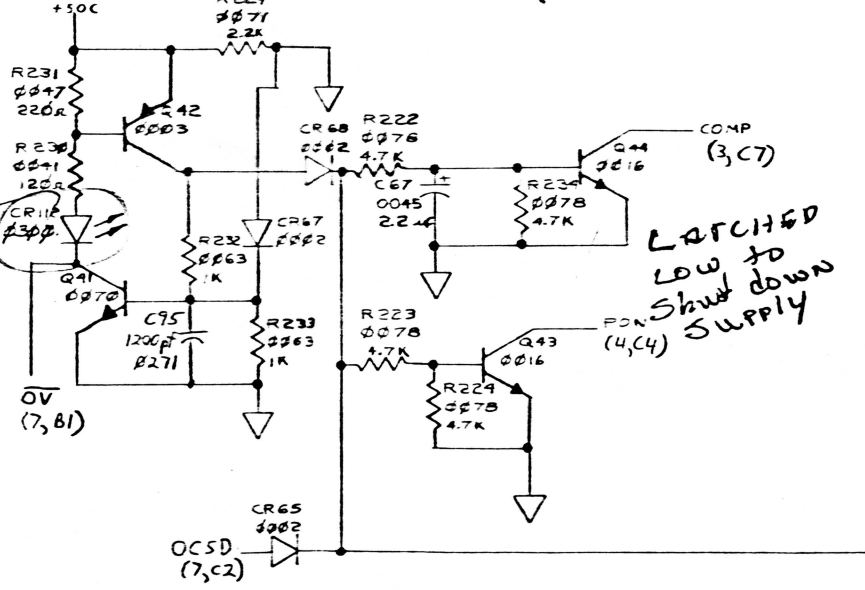
SEQUENCE LOGIC



REMOTE PROGRAM LOGIC



EMERGENCY LATCHES



Soft Start + Sequencing, Remote Program, Emergency Latches

ITEM	QTY	DESCRIPTION	PART NO.
DO NOT SCALE DRAWING			
UNLESS OTHERWISE SPECIFIED			
USE D.G.C. SPECIFICATION			
10% 000028 FOR TOLERANCES AND WORKMANSHIP REQUIREMENTS			
MATERIAL			
FINISH			
DRAWN			
CHECKED			
ENGINEER			
APPROVED			
FIRST USED ON			
SCALE			
CODE IDENT			
SIZE			
CODE			
DRAWING NUMBER			
REV			

DATA GENERAL CORPORATION
SOUTHBORO, MASS. 01772
TITLE
NOVA 4
POWER SUPPLY
PCB

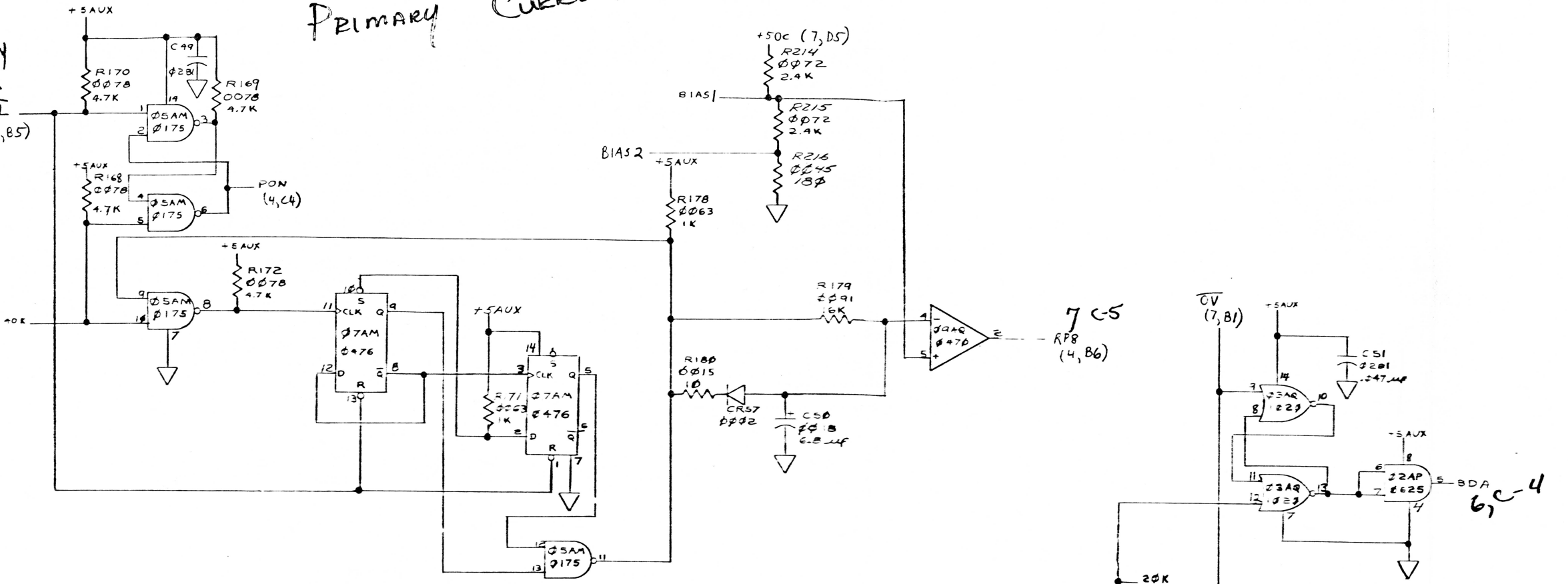
SCALE: 10x
CODE IDENT: 34984
SIZE: D
DRAWING NUMBER: 001001524
REV: 10

THIS DRAWING AND SPECIFICATIONS HEREIN ARE THE PROPERTY OF DATA GENERAL CORPORATION AND SHALL NOT BE REPRODUCED OR COPIED OR USED IN WHOLE OR IN PART AS THE BASIS FOR MANUFACTURE OR SALE OF ITEMS WITHOUT WRITTEN PERMISSION.

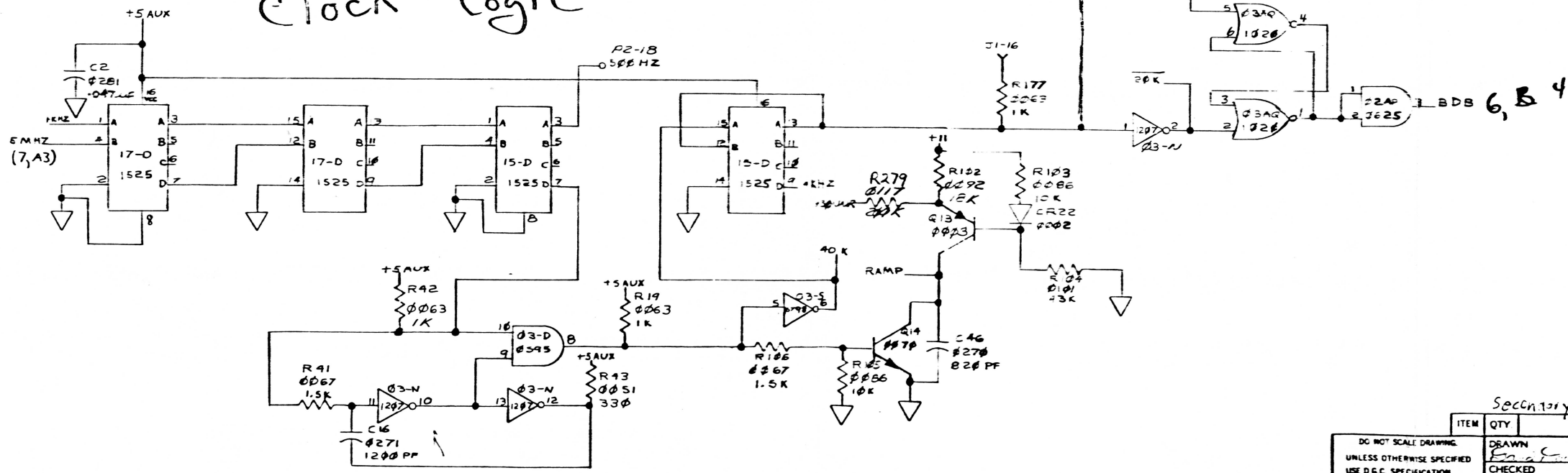
REVISIONS				
REV	DESCRIPTION	DRFTG	APP BY	DATE

PRIMARY CURRENT LIMIT

Normally High CL (7, B5)



Clock Logic



Secondary Clock Dividers, Overcurrent Counter

ITEM	QTY	DESCRIPTION	PART NO.

DO NOT SCALE DRAWING UNLESS OTHERWISE SPECIFIED USE D.G.C. SPECIFICATION 100.000028 FOR TOLERANCES AND WORKMANSHIP REQUIREMENTS			
DRAWN		CHECKED	
ENGINEER		APPROVED	
MATERIAL		FIRST USED ON	
FINISH		SCALE	
CODE IDENT	SIZE	CODE	DRAWING NUMBER
34984	D		001001524
REV			
10			

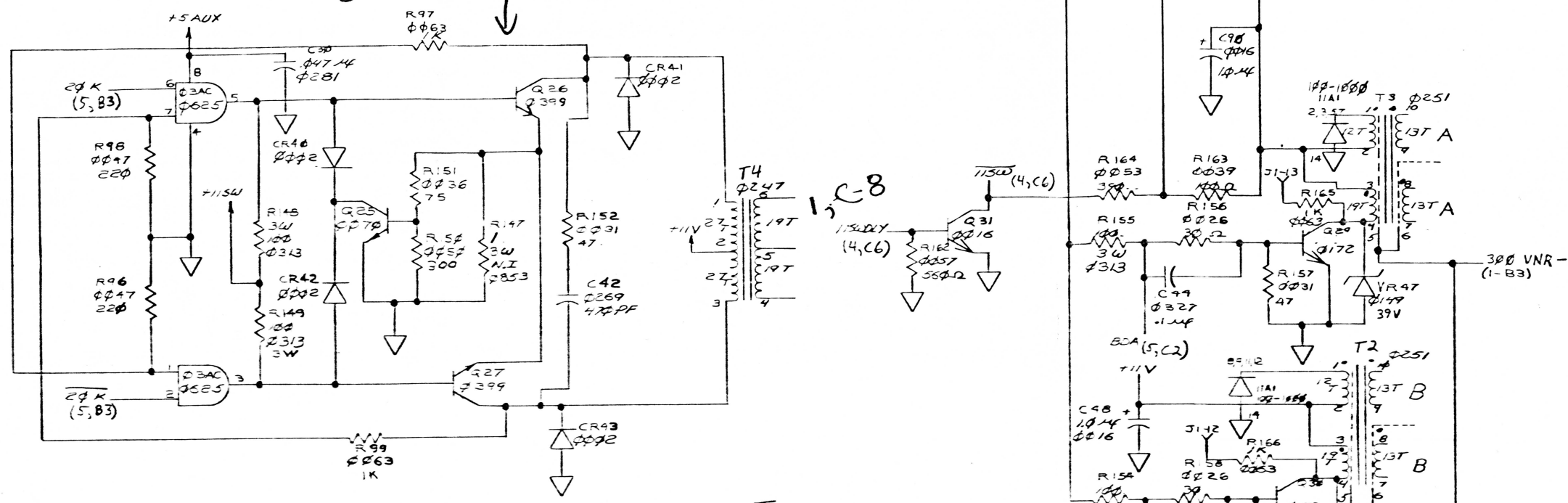
DATA GENERAL CORPORATION
SOUTHBORO, MASS. 01772

TITLE
NOVA 4 POWER SUPPLY PCB

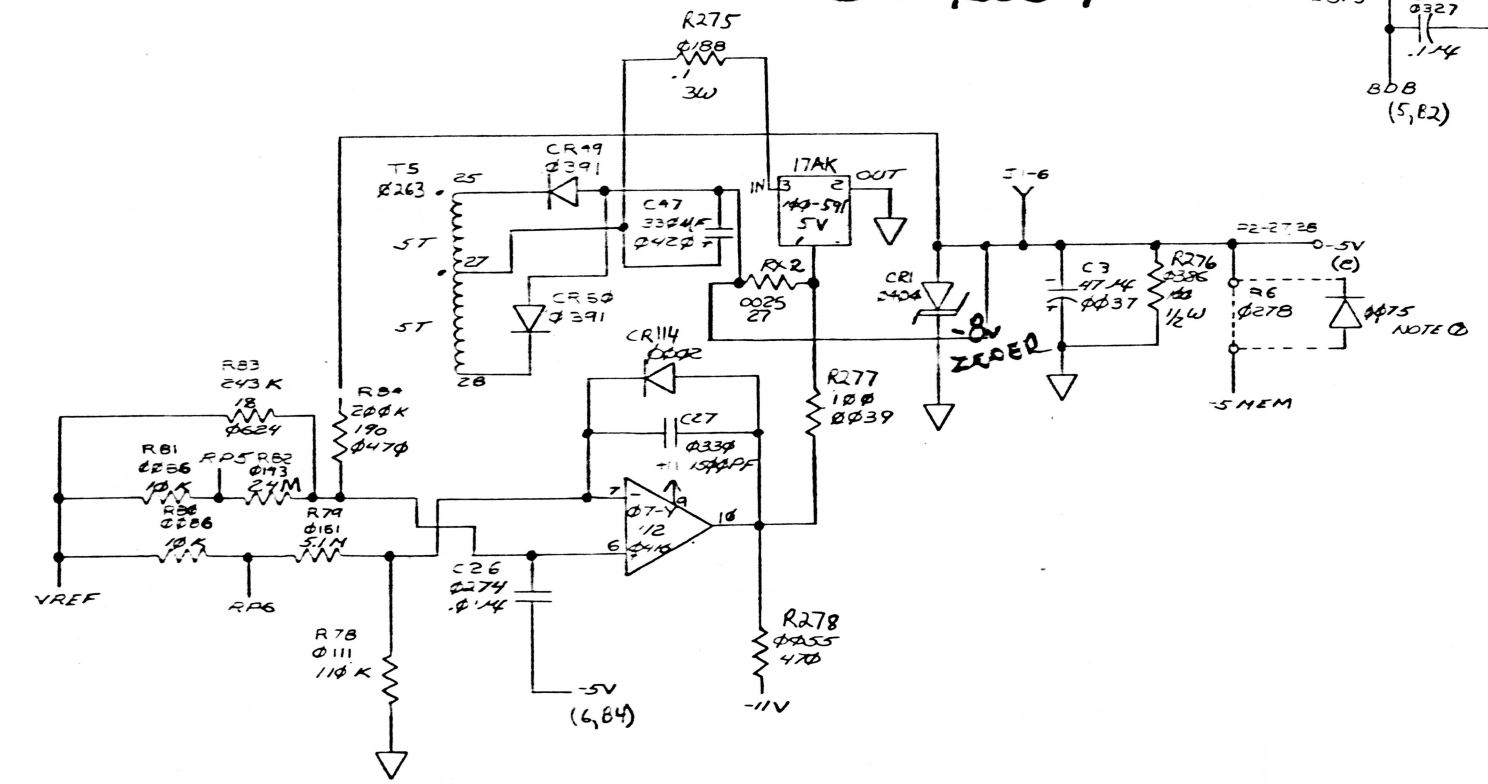
THIS DRAWING AND SPECIFICATIONS HEREIN ARE THE PROPERTY OF DATA GENERAL CORPORATION AND SHALL NOT BE REPRODUCED OR COPIED OR USED IN WHOLE OR IN PART AS THE BASIS FOR MANUFACTURE OR SALE OF ITEMS WITHOUT WRITTEN PERMISSION.

REVISIONS				
REV	DESCRIPTION	DRFTG	APP BY	DATE

BASE DRIVES FOR H BRIDGE CLOPPER



-5V REG.



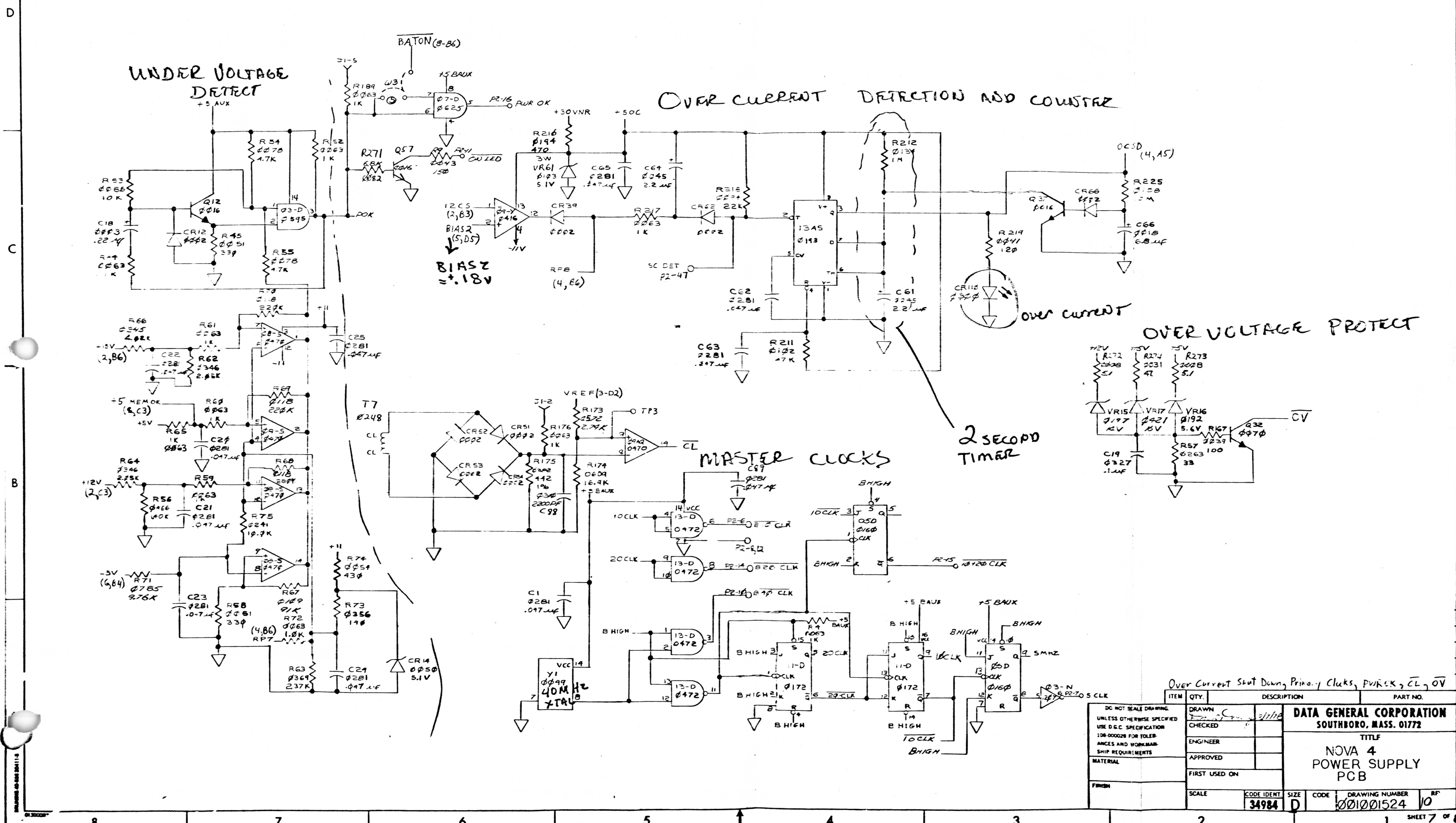
Base Drivers (Primary side), -5 Volt Output

ITEM	QTY	DESCRIPTION	PART NO.

DO NOT SCALE DRAWING UNLESS OTHERWISE SPECIFIED USE D.C. SPECIFICATION 100-00028 FOR TOLERANCES AND WORKMANSHIP REQUIREMENTS MATERIAL FINISH	DRAWN <i>John Gulek 2/1/72</i> CHECKED ENGINEER APPROVED FIRST USED ON	DATA GENERAL CORPORATION SOUTHBORO, MASS. 01772 TITLE NOVA 4 POWER SUPPLY PCB	
SCALE	CODE IDENT. 34984	SIZE D	CODE
			DRAWING NUMBER 20001524
			REV 10

THIS DRAWING AND SPECIFICATIONS HEREIN ARE THE PROPERTY OF DATA GENERAL CORPORATION AND SHALL NOT BE REPRODUCED OR COPIED OR USED IN WHOLE OR IN PART AS THE BASIS FOR MANUFACTURE OR SALE OF ITEMS WITHOUT WRITTEN PERMISSION

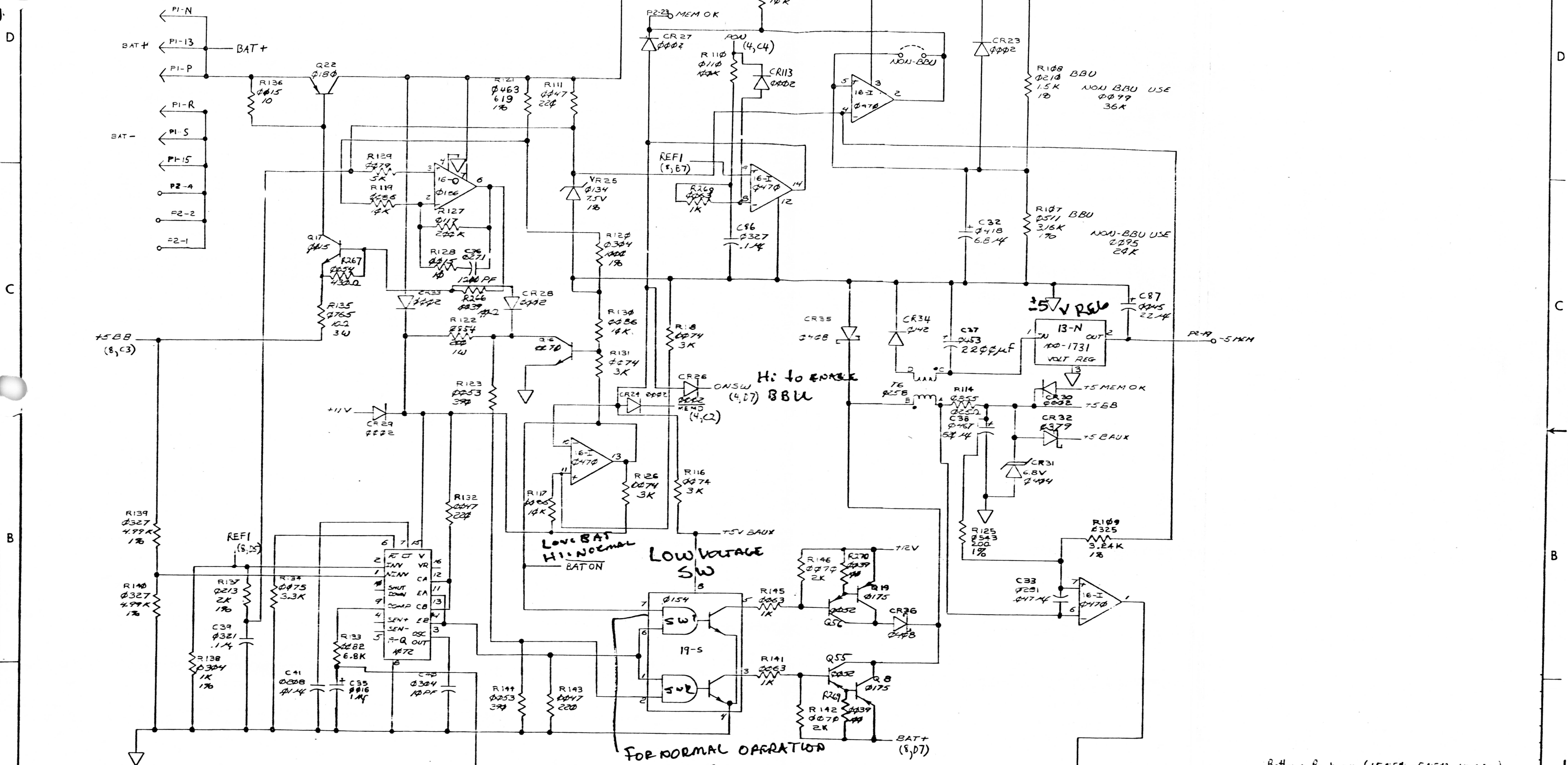
REV		REVISIONS			
REV	ECO	DESCRIPTION	DRFTG	APP BY	D



ITEM	QTY.	DESCRIPTION	PART NO.
Over Current Shut Down, Primary Clks, PWR CLK, CL, OV			
DO NOT SCALE DRAWING	DRAWN	DATA GENERAL CORPORATION	
UNLESS OTHERWISE SPECIFIED	CHECKED	SOUTHBORO, MASS. 01772	
USE D.C. SPECIFICATION		TITLE	
100-00028 FOR TOLERANCES AND WORKMANSHIP REQUIREMENTS	ENGINEER	NOVA 4	
MATERIAL	APPROVED	POWER SUPPLY	
FINISH	FIRST USED ON	PCB	
SCALE	CODE IDENT.	SIZE	CODE
	34984	D	
		DRAWING NUMBER	RF
		001001524	10

THIS DRAWING AND SPECIFICATIONS HEREIN ARE THE PROPERTY OF DATA GENERAL CORPORATION AND SHALL NOT BE REPRODUCED OR COPIED OR USED IN WHOLE OR IN PART AS THE BASIS FOR MANUFACTURE OR SALE OF ITEMS WITHOUT WRITTEN PERMISSION.

REVISIONS				
REV	DESCRIPTION	DRFTG	APP BY	DATE
REV				
ECO				



FOR NORMAL OPERATION
SW1 IS ON
FOR BBU
SW2 IS ON

ITEM	QTY	DESCRIPTION	PART NO
DO NOT SCALE DRAWING UNLESS OTHERWISE SPECIFIED USE D.G.C. SPECIFICATION 108-00028 FOR TOLERANCES AND WORKMANSHIP REQUIREMENTS			
DRAWN <i>Mark Pulek</i> 3/1/78		DATA GENERAL CORPORATION SOUTHBORO, MASS. 01772	
CHECKED		TITLE	
ENGINEER		NOVA 4 POWER SUPPLY PCB	
APPROVED		SCALE	
FIRST USED ON		CODE IDENT. SIZE CODE	
FINISH		34984 D	
		DRAWING NUMBER REV	
		00001524 10	
		SHEET 8 OF 8	

Battery Back-up (+5 MEM, -5 MEM, +12 MEM)