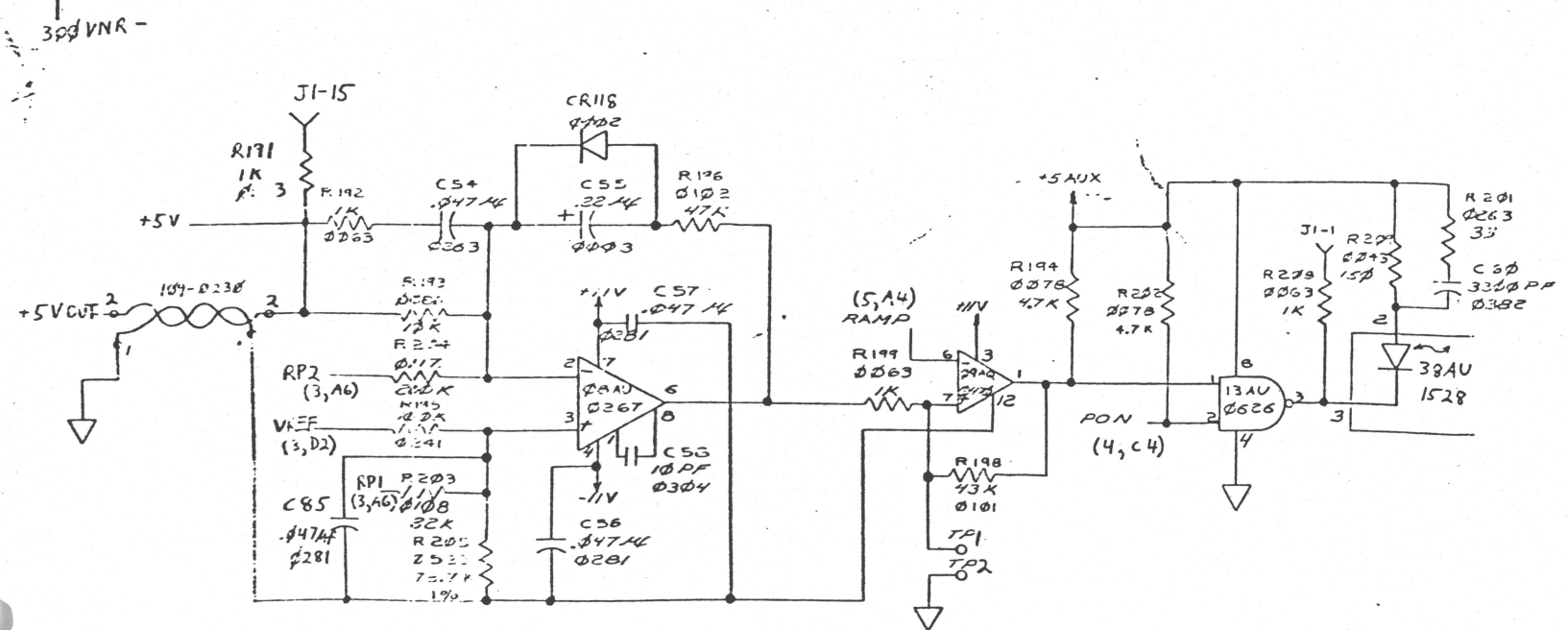
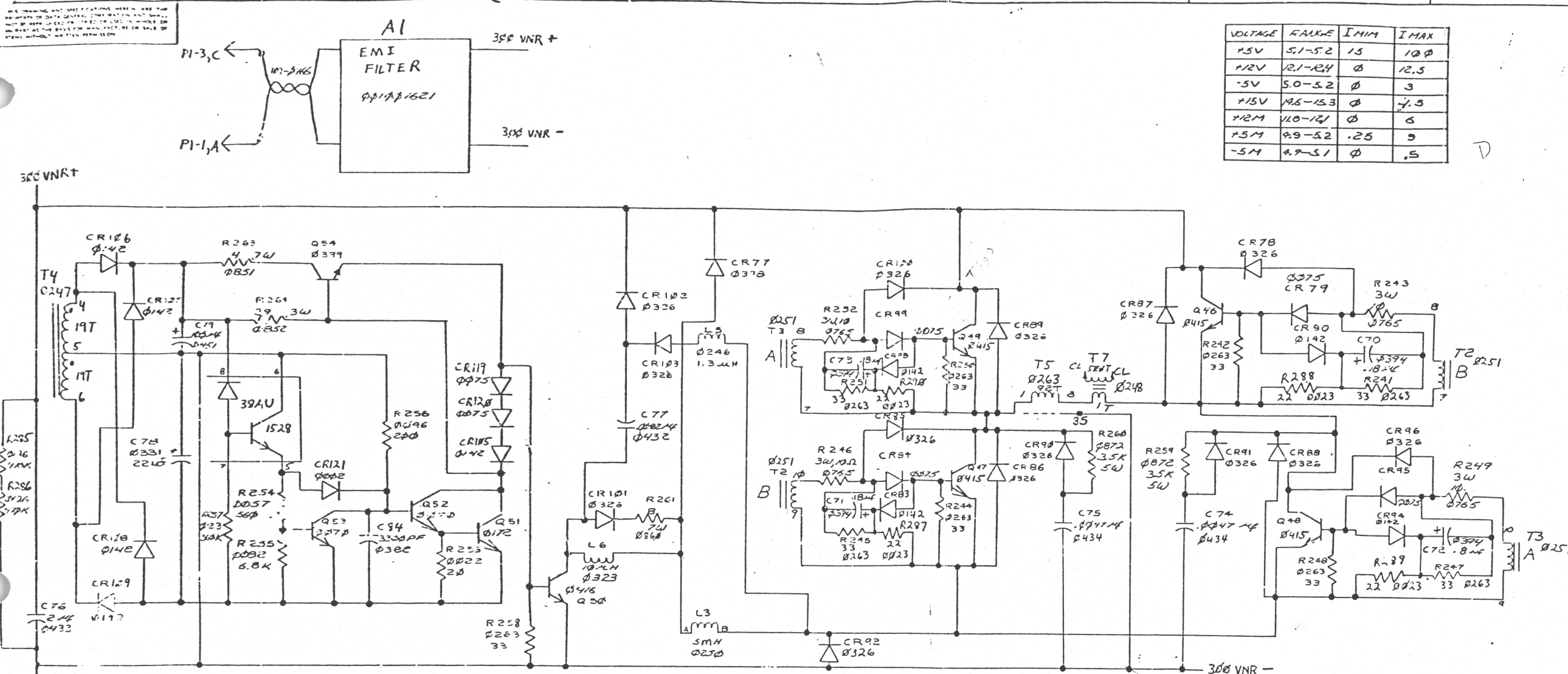


VOLTAGE	RANGE	I MIN	I MAX
+5V	5.1-5.2	15	100
+12V	12.1-12.4	0	12.5
-5V	5.0-5.2	0	3
+15V	14.6-15.3	0	7.5
+12M	11.0-12.1	0	6
+5M	4.9-5.2	.25	0
-5M	4.9-5.1	0	.5

REVISIONS				
REV	DESCRIPTION	DRFTG	APP BY	DATE
00	Released per E506			11/24
01	ECO # E570 A	JB		11/24
02	ECO E595			12/1
03	ECO F816			12/1
04	ECO F84B			12/1
05	ECO F87B			12/1
06	ECO # F886			12/1
07	ECO F88B			12/1
08	ECO G705			12/1
09	ECO 9471A			12/1
10	ECO 9473			12/1
11	ECO F832			12/1
12	ECO 96900			12/1
13	ECO 10971			12/1
14	ECO 11394A			12/1
15	PER ECO 11215			12/1
16	PER ECO 11604			12/1



TEST POINTS

1	FWM
2	CURRENT
3	FUR FANZ
4	HVS
5	POK
6	-5V
7	+5AUX
8	H5V
9	GND
10	+12V
11	POW
12	Q38-C
13	Q29-C
14	VREF
15	+5V
16	POK

WARNING: HAZARDOUS VOLTAGES EXIST ON THIS UNIT. SERVICE MUST ONLY BE PERFORMED BY QUALIFIED PERSONNEL.

SEE PAGE 3 FOR ALL NOTES.  
+5 Regulator, HV Switching Section

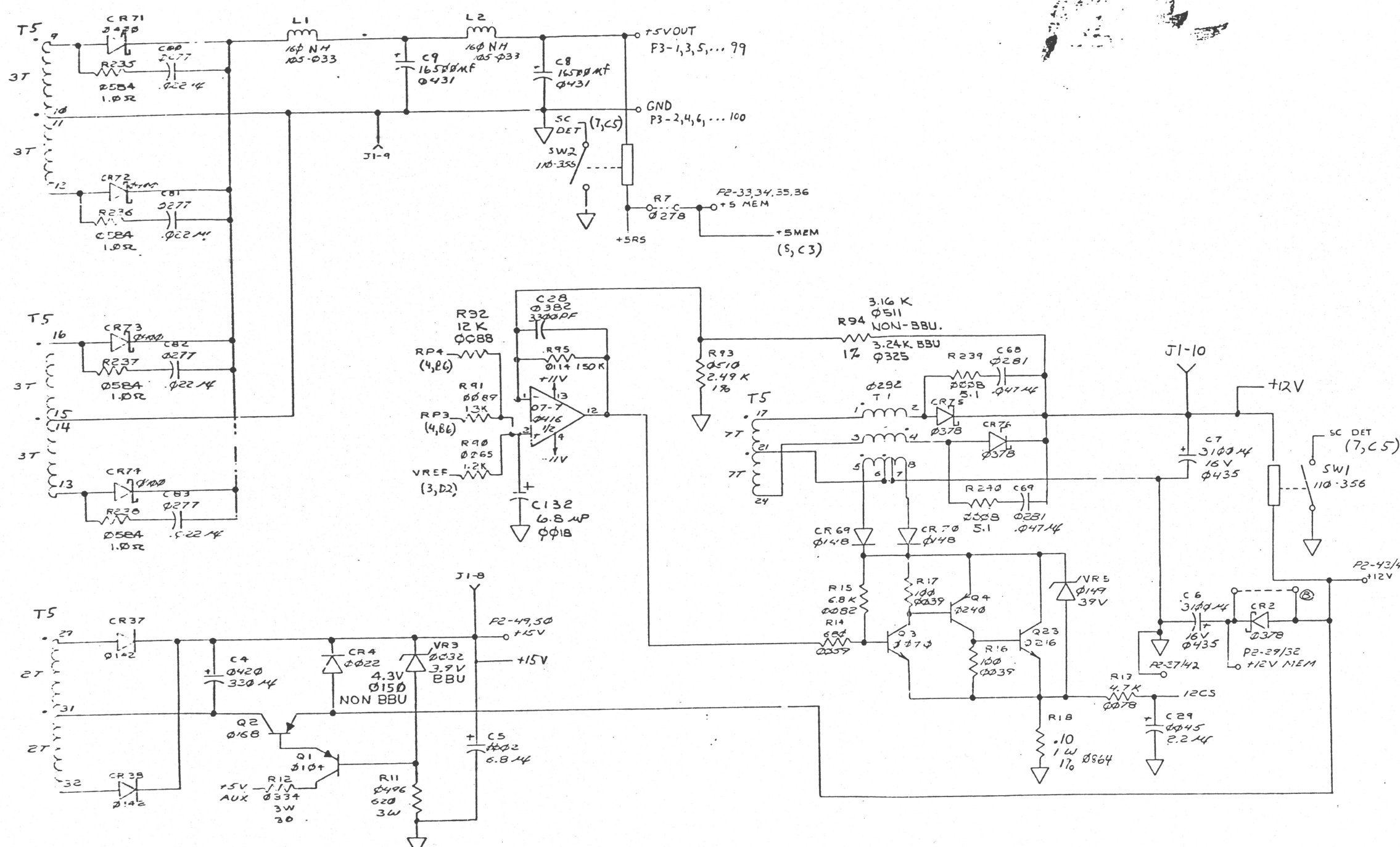
016000688

ITEM	QTY	DESCRIPTION	PART NO
ARTWCRK: 107			
DO NOT SCALE DRAWING UNLESS OTHERWISE SPECIFIED			
DRAWN: <i>Frank Bulak</i> 1/24/78			
CHECKED: <i>[Signature]</i> 1/24/78			
ENGINEER: <i>[Signature]</i> 1/23/78			
APPROVED: <i>[Signature]</i> 1/23/78			
FIRST USED ON: <i>CO-1524</i>			
FINISH: <i>34784</i>			
SCALE	CODE IDENT	SIZE	CODE
	34784	D	
DRAWING NUMBER: 34784			
REV: 15			

DATA GENERAL CORPORATION  
SOUTH BORO, MASS. 01772

TITLE  
NOVA 4  
POWER SUPPLY  
PCB

REVISIONS				
REV	DESCRIPTION	DRFTG	APP BY	DATE
1				



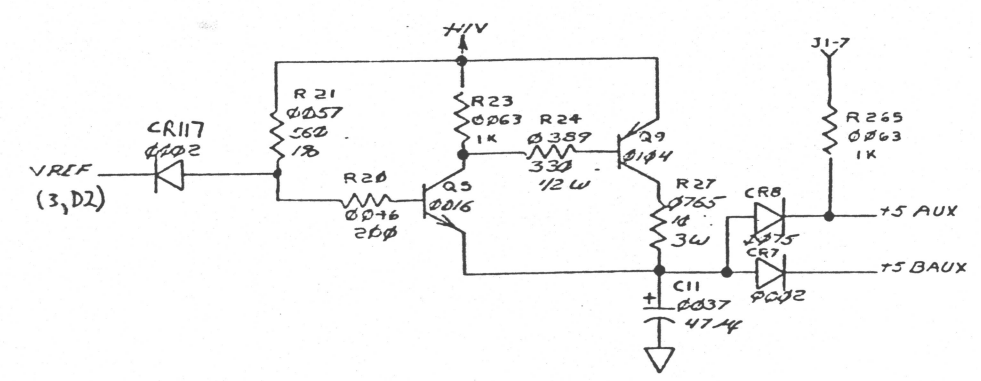
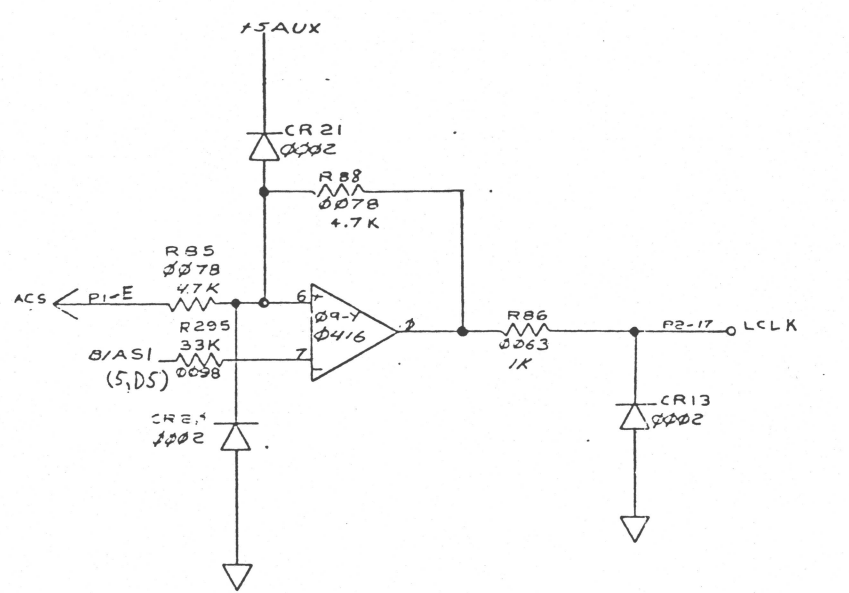
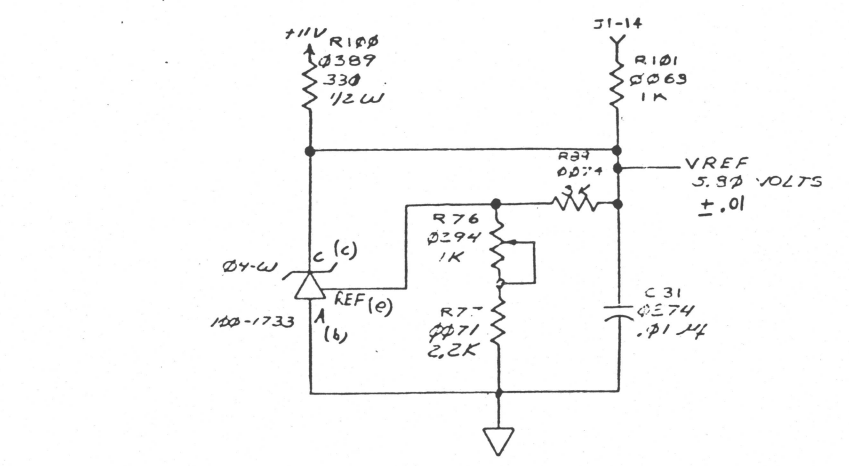
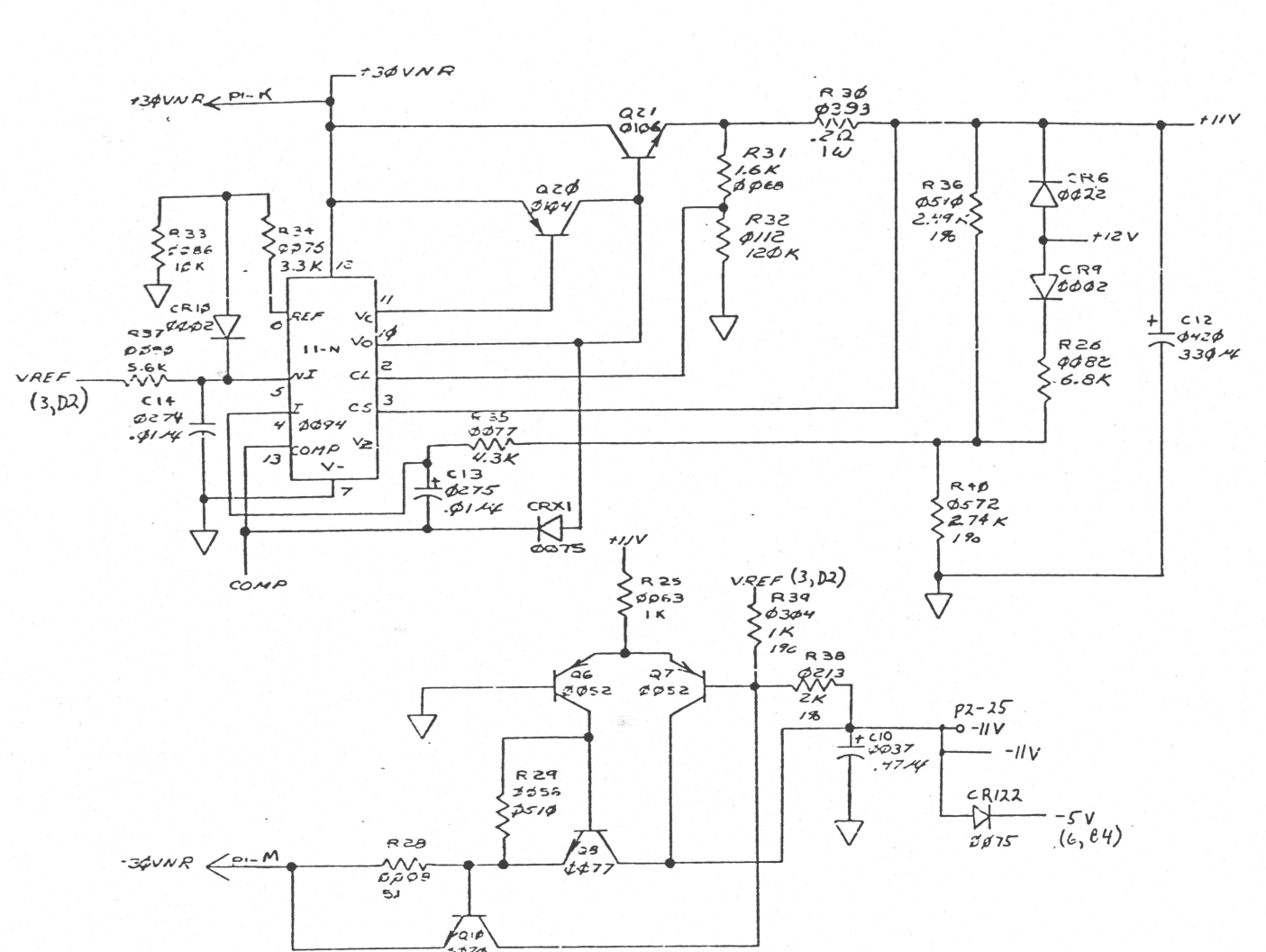
+5V Output, +12 Output + Regulator, +15 Regulator

ITEM	QTY	DESCRIPTION	PART NO
DO NOT SCALE DRAWING UNLESS OTHERWISE SPECIFIED USE D.G.C. SPECIFICATION FOR 000028 FOR TOLERANCES AND WORKMANSHIP REQUIREMENTS		DRAWN <i>Mark Bullock</i> 7/24/72	
		CHECKED <i>[Signature]</i> 7/17/72	
		ENGINEER	
		APPROVED	
		FIRST USED ON	
MATERIAL			
FINISH			
	SCALE	CODE IDENT	SIZE
		34984	D
		CODE	SIZE
		DRAWING NUMBER	REV
		02101524	15

DATA GENERAL CORPORATION  
SOUTHBORO, MASS. 01772  
TITLE  
NOVA 4  
POWER SUPPLY  
PCB

ALL DIMENSIONS AND SPECIFICATIONS HEREIN ARE THE PROPERTY OF DATA GENERAL CORPORATION AND SHALL NOT BE REPRODUCED OR COPIED TO BE USED IN WHOLE OR IN PART AS THE BASIS FOR MANUFACTURE OR SALE OF THIS PRODUCT BY ANY OTHER PARTY.

REVISIONS			
REV	DESCRIPTION	DATE	APP BY

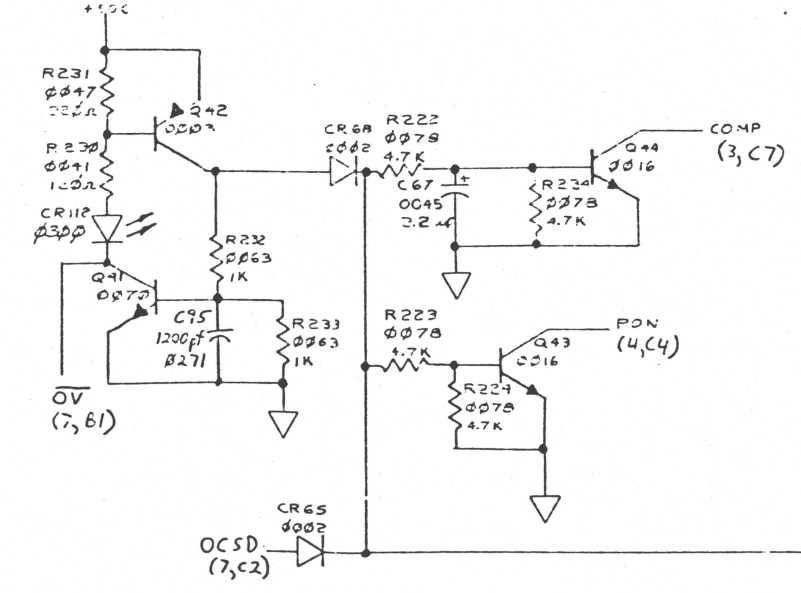
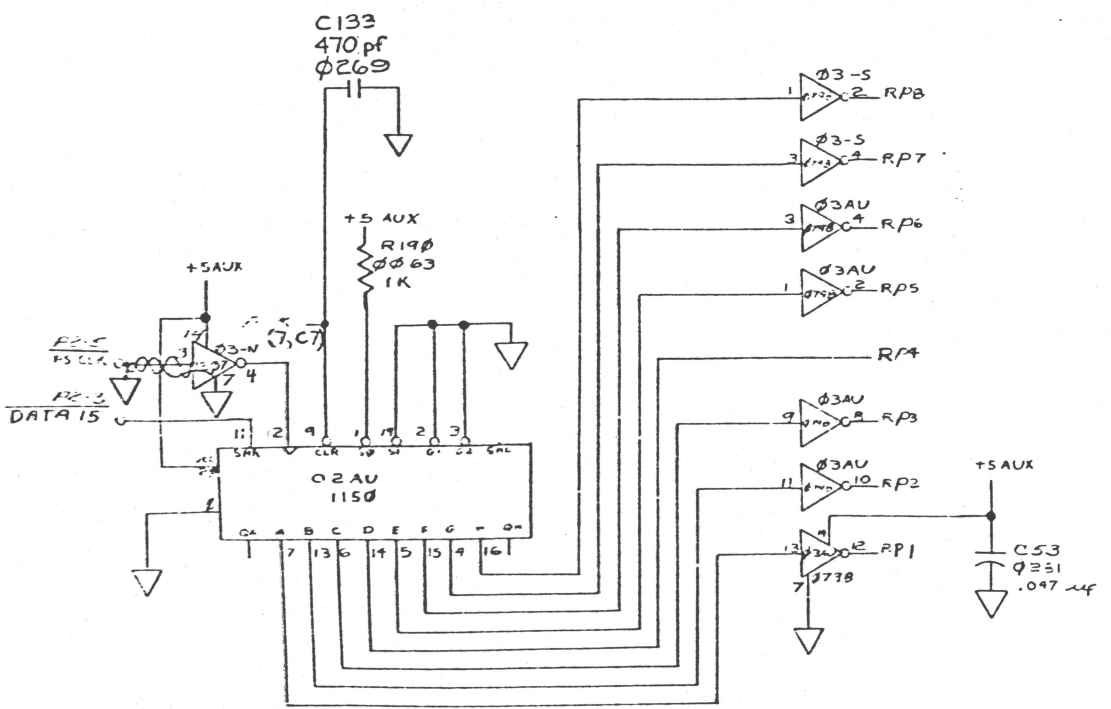
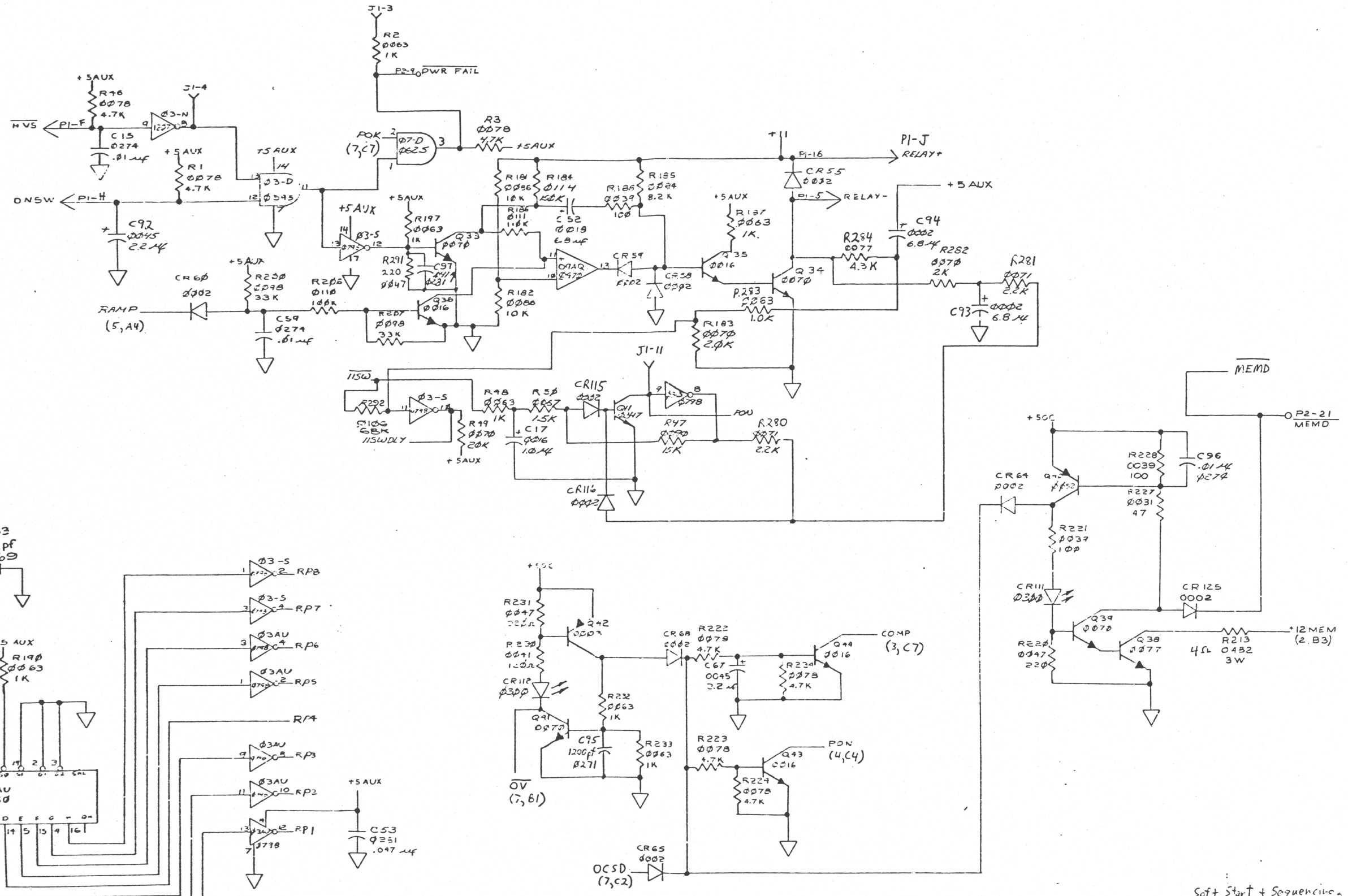


- NOTES:
1.  $\text{---} \circ \text{---}$  = 50 EDGE PIN CONNECTORS
  2.  $\text{---} \leftarrow \text{---}$  = HIGH VOLTAGE EDGE CONNECTORS
  3.  $\text{---} \text{Y}$  = TO TEST POINT AT FRONT OF CARD
  4.  $\text{---} \text{---} \text{X}$  = TERMI-PIN TEST POINT
  5. W3 CONNECTS TO BATO0 FOR BBU VERSION, TO 07-D PING FOR NON-BBU VERSION.
  6. R5, R7 NOT INSTALLED ON BBU VERSION.
  7. R6 IS 102-0278 FOR BBU VERSION, 101-0379 FOR NON-BBU VERSION. (CR123)
  8. CR2 INSTALLED ON BBU VERSION, REPLACED BY JUMPER WIRE ON NON-BBU VERSION.
  9. CR35-CR38, CR99, CR50 TO BE STOOD ON END ALLOWING NO LEAD LENGTH BETWEEN P.C.B AND DIODE.
  10. ALL COMPONENTS ON PAGE B ARE FOR BATTERY BACKUP ONLY EXCEPT R07, R108, C32, CR23 AND ASSOCIATED JUMPER.

+11, -11, and +5Aux Regulators, VREF, LCLK

ITEM	QTY.	DESCRIPTION	PART NO
DO NOT SCALE DRAWING UNLESS OTHERWISE SPECIFIED USE D.G.C. SPECIFICATION 108-00028 FOR TOLERANCES AND WORKMANSHIP REQUIREMENTS			
MATERIAL			
FINISH			
SCALE	CODE IDENT	SIZE	CODE
	34934	D	
DRAWN		DATA GENERAL CORPORATION	
CHECKED		SOUTHBORO, MASS. 01772	
ENGINEER		TITLE	
APPROVED		NOVA 4	
FIRST USED ON		POWER SUPPLY	
		PCB	
		DRAWING NUMBER	
		001001524	
		REV	
		1E	

REVISIONS				
REV.	DESCRIPTION	DRFTG	APP BY	DATE
ECO				

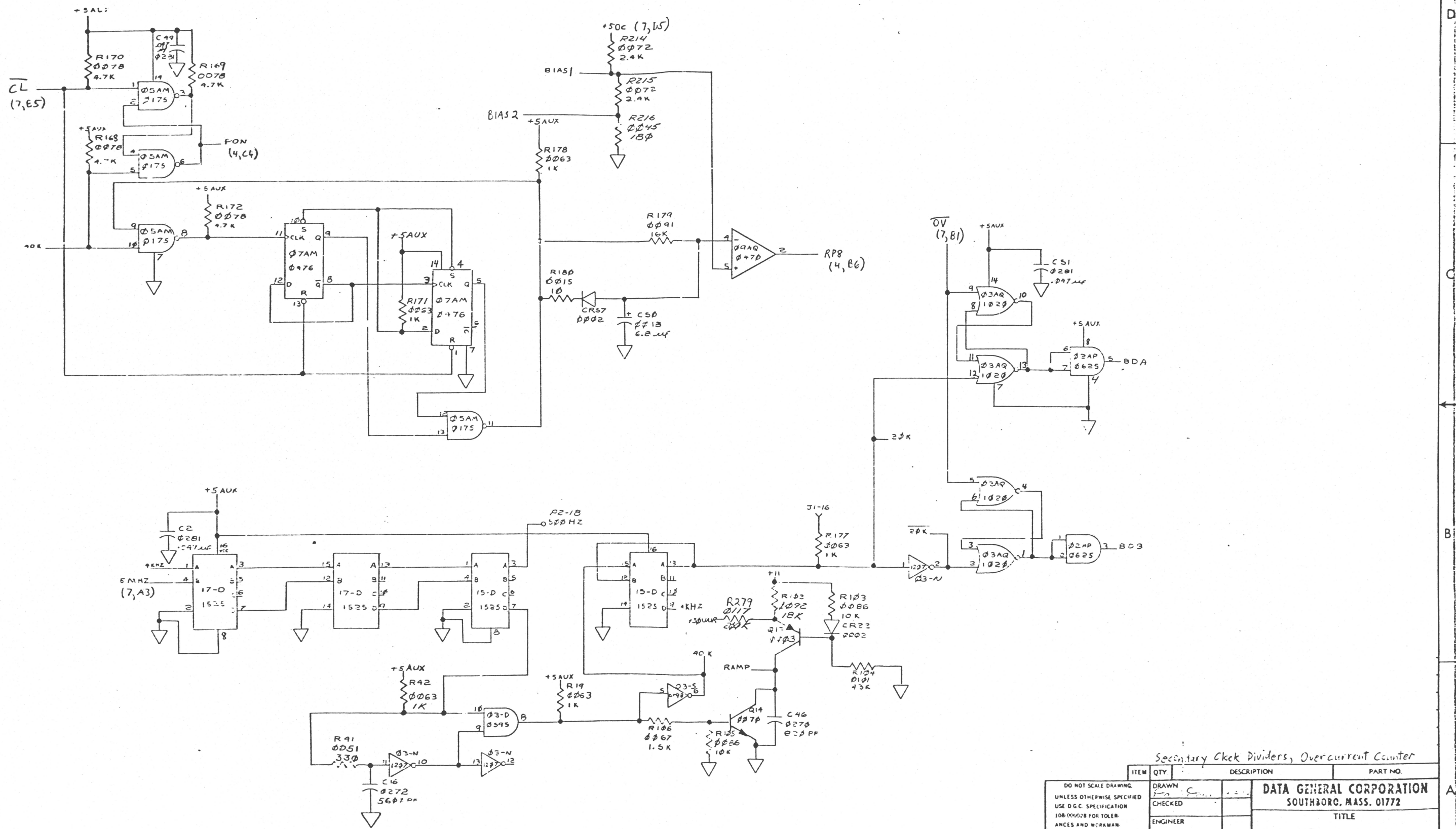


Soft Start + Sequencing, Remote Program, Emergency Latch

ITEM	QTY.	DESCRIPTION	PART NO.
DO NOT SCALE DRAWING.			
UNLESS OTHERWISE SPECIFIED			
USE D.G.C. SPECIFICATION			
10R 00028 FOR TOLER			
ANCES AND WORKMAN			
SHIP REQUIREMENTS			
MATERIAL			
FINISH			
DRAWN		DATA GENERAL CORPORATION	
CHECKED		SOUTHBORO, MASS. 01772	
ENGINEER		TITLE	
APPROVED		NOVA 4	
FIRST USED ON		POWER SUPPLY	
SCALE		PCB	
CODE IDENT	SIZE	CODE	DRAWING NUMBER
34984	D		001001524
REV			
13			

... AND THE BUYER OF THIS DRAWING AND THE  
 ... THE DATA GENERAL CORPORATION AND SHALL  
 ... BE HELD IN FULL FORCE AND EFFECT UNLESS  
 ... BY THE BUYER FOR MANUFACTURE OR SALE OF  
 ... IN THE UNITED STATES OF AMERICA.

REVISIONS				
REV	DESCRIPTION	DRFTG	APP BY	DATE



Secondary Clock Dividers, Overcurrent Counter

ITEM	QTY	DESCRIPTION	PART NO.

DO NOT SCALE DRAWING  
 UNLESS OTHERWISE SPECIFIED  
 USE D.G.C. SPECIFICATION  
 100-00028 FOR TOLERANCES AND WORKMANSHIP REQUIREMENTS

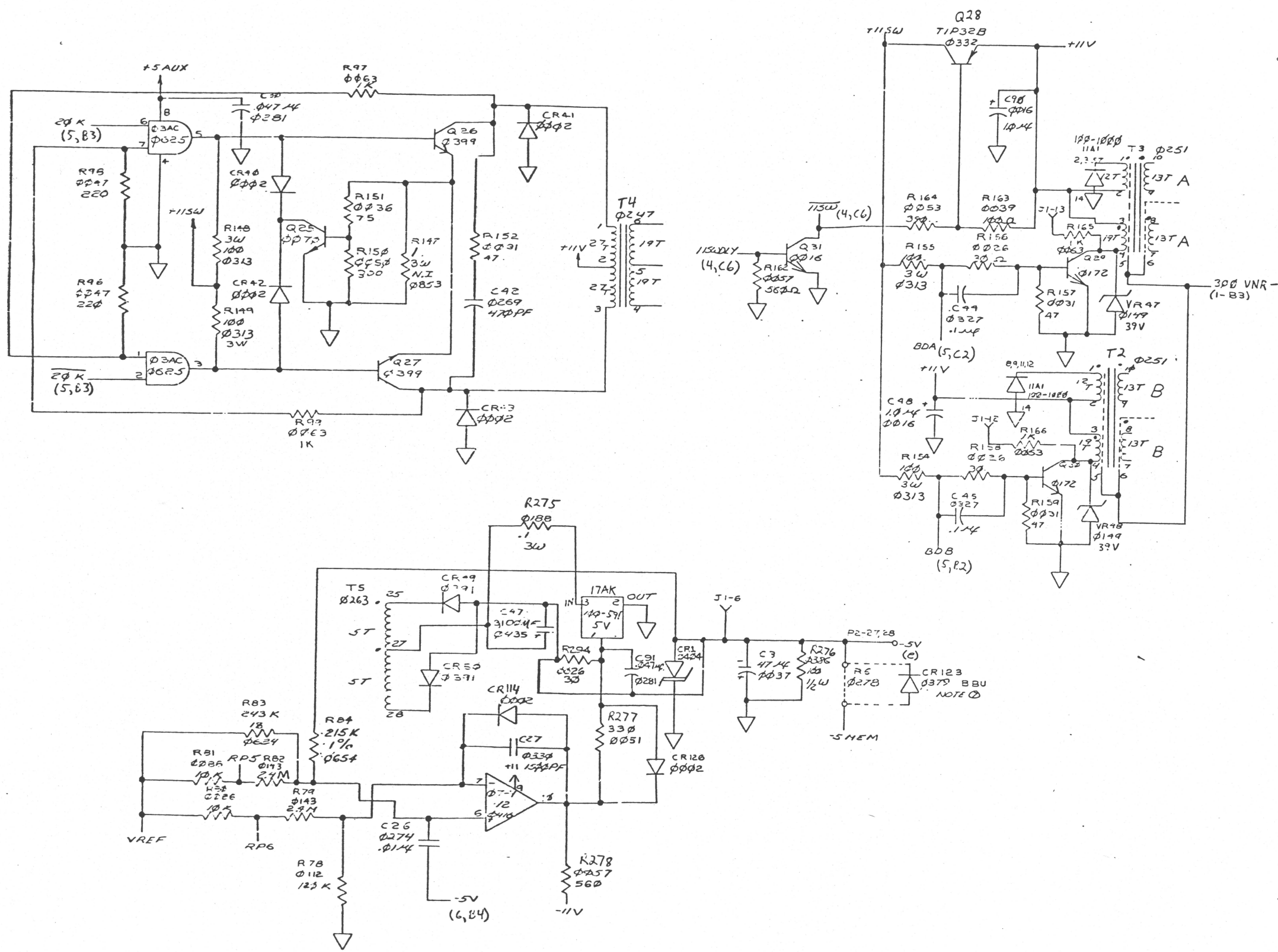
**DATA GENERAL CORPORATION**  
 SOUTHBORO, MASS. 01772

TITLE  
**NOVA 4**  
**POWER SUPPLY**  
**PCB**

SCALE: 34784 D  
 CODE IDENT: 001001524  
 SIZE: 13  
 DRAWING NUMBER: 13

THIS DRAWING AND SPECIFICATIONS HEREBY ARE THE PROPERTY OF DATA GENERAL CORPORATION AND SHALL NOT BE REPRODUCED OR COPIED OR USED IN WHOLE OR IN PART BY ANY OTHER MANUFACTURER OR USER OF THIS DRAWING WITHOUT PERMISSION.

REVISIONS				
REV	DESCRIPTION	DR/TG	APP BY	DATE

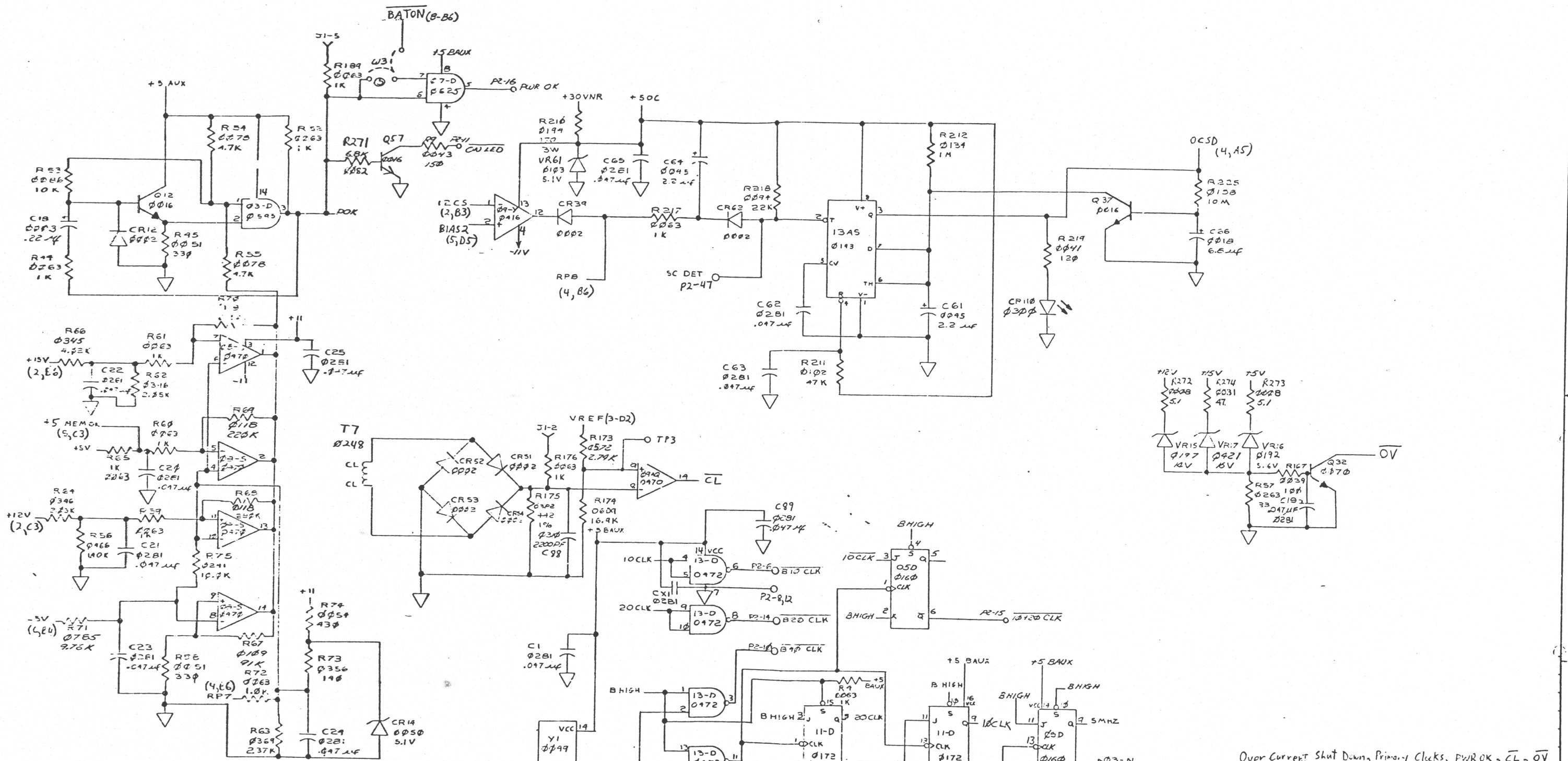


Base Drivers (Primary side), -5 Volt Output

ITEM	QTY.	DESCRIPTION	PART NO.
DO NOT SCALE DRAWING.			
UNLESS OTHERWISE SPECIFIED			
USE D.G.C. SPECIFICATION			
100-00028 FOR TOLERANCES AND WORKMANSHIP REQUIREMENTS			
MATERIAL			
FINISH			
SCALE	CODE IDENT	SIZE	CODE
	34784	D	
DRAWN		PART NO.	
CHECKED		DATA GENERAL CORPORATION	
ENGINEER		SOUTHBORO, MASS. 01772	
APPROVED		TITLE	
FIRST USED ON		NOVA 4	
		POWER SUPPLY	
		PCB	
DRAWING NUMBER		REV	
00101524		15	

DESIGN AND SPECIFICATIONS HEREIN ARE THE PROPERTY OF DATA GENERAL CORPORATION AND SHALL BE KEPT CONFIDENTIAL OR USED IN WHOLE OR IN PART AS THE BASIS FOR MANUFACTURE OR SALE OF ANY PRODUCT WITHOUT THE WRITTEN PERMISSION.

REVISIONS			
REV	DESCRIPTION	DRFTG	APP BY



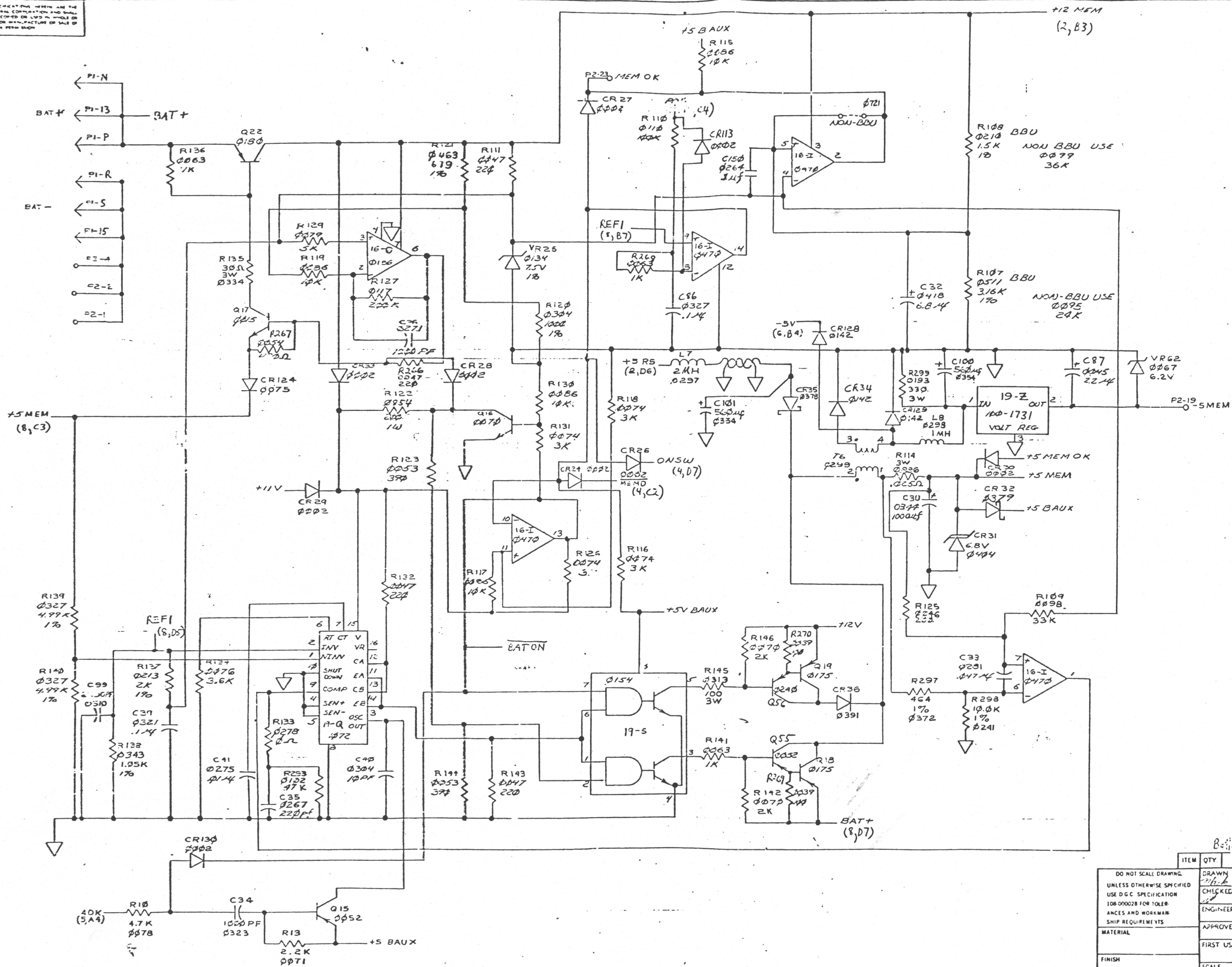
Over Current Shut Down, Primary Clcks, PWR OK, CL, OV

ITEM	QTY.	DESCRIPTION	PART NO.

DO NOT SCALE DRAWING UNLESS OTHERWISE SPECIFIED USE D.G.C. SPECIFICATION 100-000028 FOR TOLERANCES AND WORKMANSHIP REQUIREMENTS		DRAWN: [Signature] CHECKED: [Signature] ENGINEER: APPROVED: FIRST USED ON:	<b>DATA GENERAL CORPORATION</b> SOUTHBORO, MASS. 01772 TITLE: <b>NOVA 4 POWER SUPPLY PCB</b>
MATERIAL:	SCALE:	CCDC IDENT:	SIZE:
FINISH:		34984	D
			CODE: 001201524
			DRAWING NUMBER: 15

THE DIMENSIONS AND SPECIFICATIONS ARE THE PROPERTY OF DATA GENERAL CORPORATION AND SHALL NOT BE REPRODUCED OR COPIED OR USED IN WHOLE OR IN PART AS THE BASIS FOR MANUFACTURE OR SALE OF THIS PRODUCT WITHOUT WRITTEN PERMISSION.

REVISIONS				
REV	DESCRIPTION	DRFTG	APP BY	DATE
ECO				



Battery Back-up (+5 MEM, -5 MEM, +12 MEM)

ITEM	QTY	DESCRIPTION	PART NO.
DO NOT SCALE DRAWING UNLESS OTHERWISE SPECIFIED USE D.C.C. SPECIFICATION 108-000028 FOR TOLERANCES AND WORKMANSHIP REQUIREMENTS			
MATERIAL			
FINISH			
SCALE	SCALE SENT	SIZE	CODE
	34934	D	

DATA GENERAL CORPORATION  
SOUTHBORO, MASS. 01772

TITLE  
NOVA 4  
POWER SUPPLY  
PCB

DRAWING NUMBER  
01301524