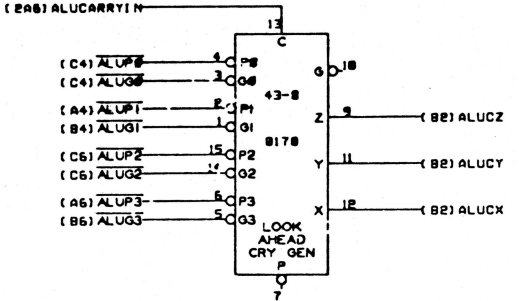
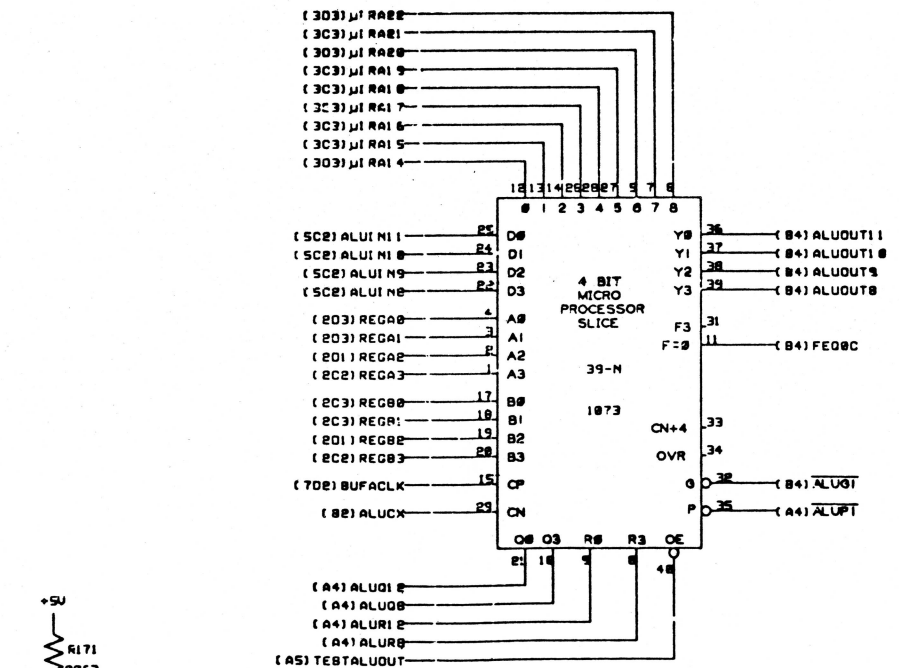
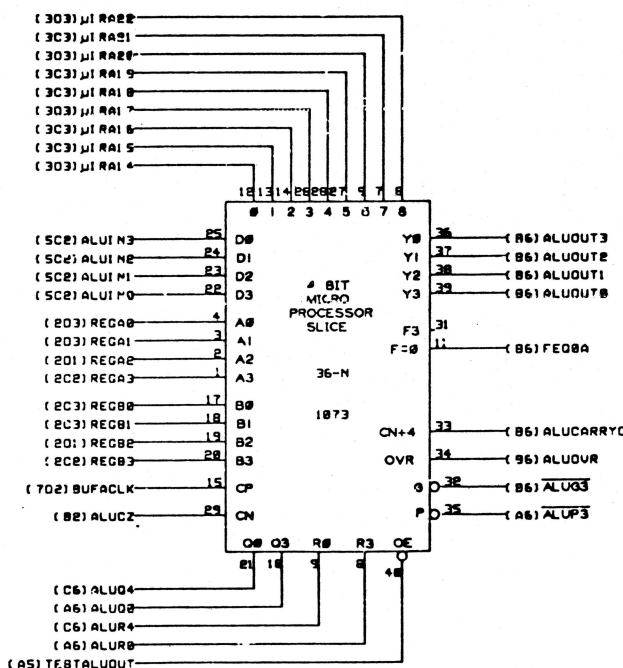
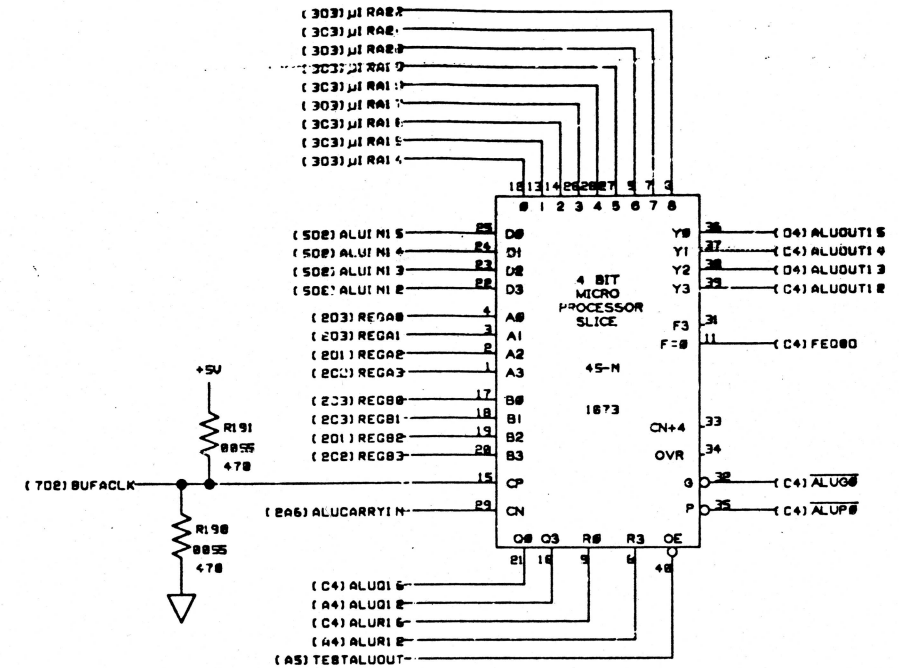
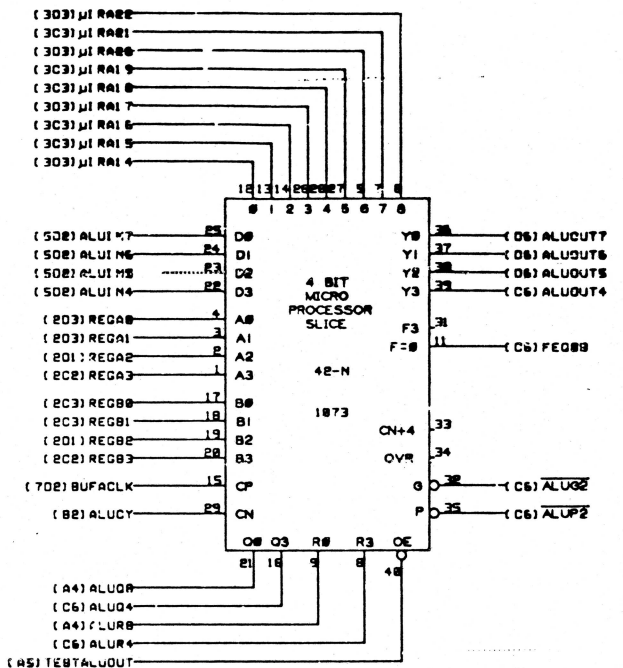


THIS DRAWING AND SPECIFICATIONS, HEREIN, ARE THE PROPERTY OF DATA GENERAL CORPORATION AND SHALL NOT BE REPRODUCED OR COPIED OR USED IN WHOLE OR IN PART AS THE BASIS FOR MANUFACTURE OR SALE OF DEVICES WITHOUT WRITTEN PERMISSION.

REVISIONS				
REV	DESCRIPTION	DRAFTG	APP BY	DATE
00	ALBU PER ECO F825			1/23/77
01	PER ECO F837			2/26/77
02	PER ECO F849			2/26/77
03	PER ECO G788			2/26/77
04	PER ECO G783			2/26/77
05	PER ECO 9622			2/26/77
06	PER ECO 9850			2/26/77
07	PER ECO G783			2/26/77
08	PER ECO 10472			
09	PER ECO 10627			
10	PER ECO 10256			
11	PER ECO 11577	VM		
12	PER ECO 10381	VM		
13	PER ECO 11011B	VM		
14	PER ECO 11958	VM		
15	PER ECO 13641	VM		



SPARE GATES

8799	03-J	(2)
8797	03-N	(1)
8365	05-W	(1)
8788	05A-B	(1)
1020	07-J	(2)
0159	07A-N	(2)
0627	09-B	(1)
0630	09-F	(1)
0537	09-B	(1)
0258	09A-N	(2)
0172	09A-N	(1)
1264	11A-N	(1)
1020	13A-U	(2)
0133	15-N	(2)
0366	15A-R	(2)
1152	15A-U	(2)
0477	17A-N	(2)
0175	19-W	(1)
0537	21A-N	(2)
0308	21A-F	(1)
0797	27-F	(1)
0365	29-B	(2)
0327	33-B	(1)
1030	33-W	(1)
0575	36-F	(1)
0575	40-F	(1)
0417	41-B	(1)
0175	43-W	(1)
0031	03-E	(5)

CHART 1

	UNTESTED	TESTED
8KH	005-12410	005-12411
16KH	005-12412	005-12413
32KH	005-12414	005-12415

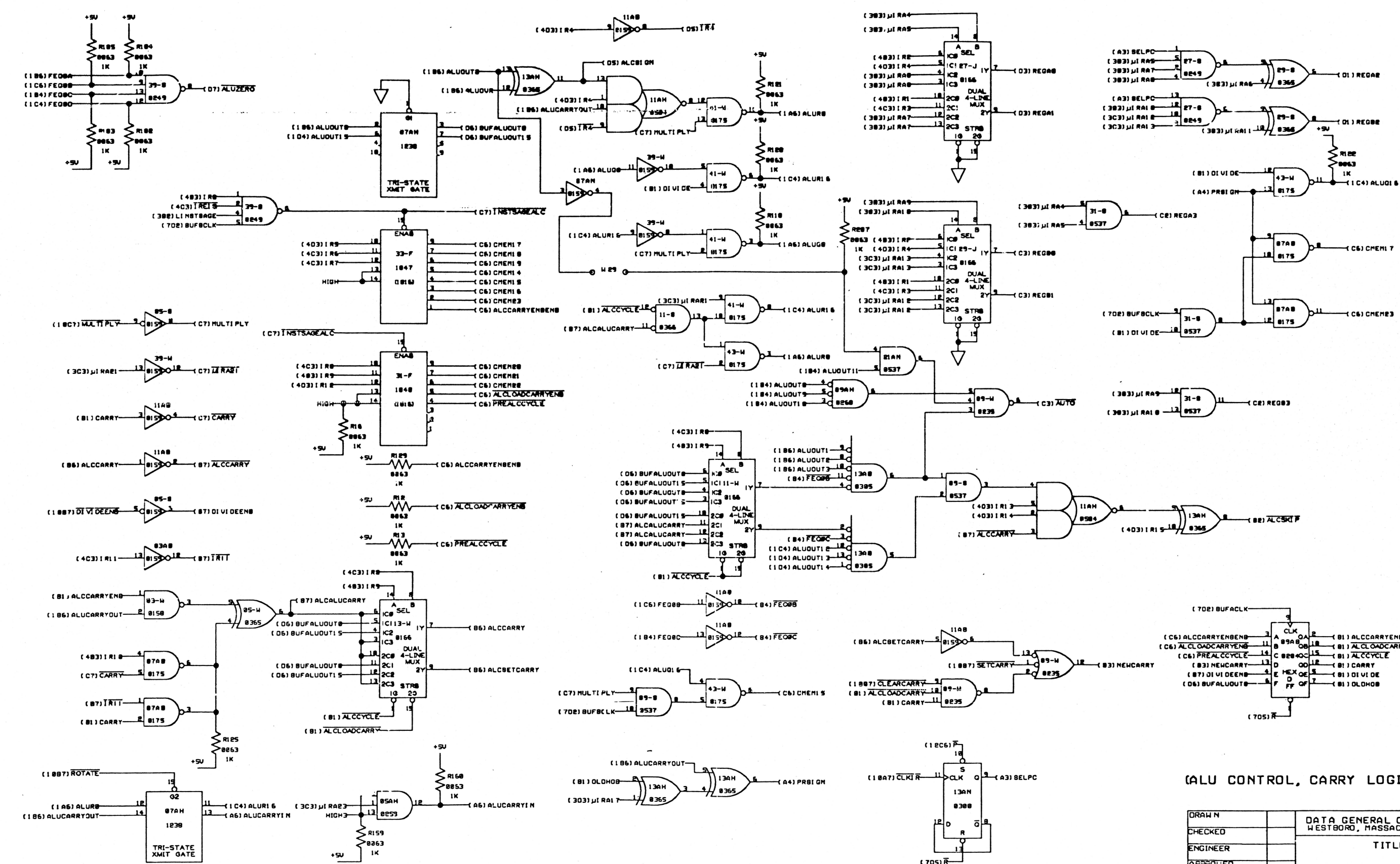
01600057  
01600064

ARTWORK: 107 1307	DRAWN	9/20/80	DATA GENERAL CORPORATION WESTBORD, MASSACHUSETTS 01581
ARTWORK VS SCHEMATIC	DIGITIZED		
REV	SCHEMATIC REV(S)	ENGINEER	TITLE <b>NOVA 4/C</b>
00	00,01,02,03,04,05,06	4/24/80	
01	07,08,09,10	APPROVED	FIRST USED ON SEE CHART 1
02	11,12,13	4/24/80	
14,15			SIZE CODE DRAWING NUMBER REV 0 001001600 15

1 SHEET 1092

THIS DRAWING AND SPECIFICATIONS, HEREIN, ARE THE PROPERTY OF DATA GENERAL CORPORATION AND SHALL NOT BE REPRODUCED OR COPIED OR USED IN WHOLE OR IN PART AS THE BASIS FOR MANUFACTURE OR SALE OF ITEMS WITHOUT WRITTEN PERMISSION.

REVISIONS				
REV	DESCRIPTION	DWG	APP BY	DATE



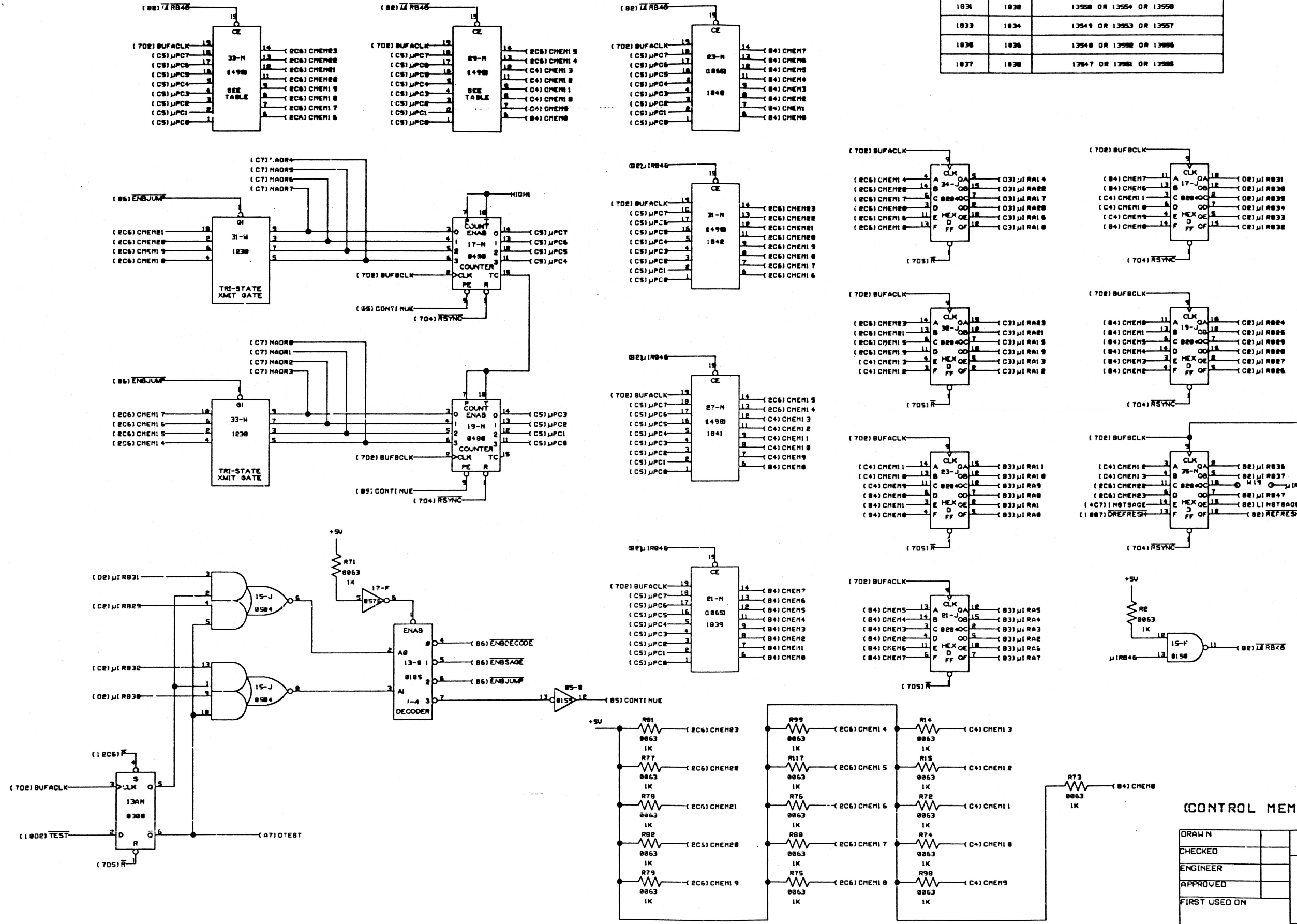
(ALU CONTROL, CARRY LOGIC)

DRAWN	DATA GENERAL CORPORATION
CHECKED	WESTBORO, MASSACHUSETTS 01581
ENGINEER	TITLE
APPROVED	NOVA 4/C
FIRST USED ON	SIZE CODE DRAWING NUMBER REV
	001001600 15

THIS DRAWING AND SPECIFICATIONS HEREIN, ARE THE PROPERTY OF DATA GENERAL CORPORATION AND SHALL NOT BE REPRODUCED OR COPIED OR USED IN WHOLE OR IN PART AS THE BASIS FOR MANUFACTURE OR SALE OF ITEMS WITHOUT WRITTEN PERMISSION.

REVISIONS			
REV	DESCRIPTION	DRAFTS	APP BY DATE

LOC 29H	LOC 32H	805-OPTIONS
1031	1032	13550 OR 13554 OR 13558
1033	1034	13549 OR 13553 OR 13557
1035	1036	13548 OR 13552 OR 13556
1037	1038	13547 OR 13551 OR 13555



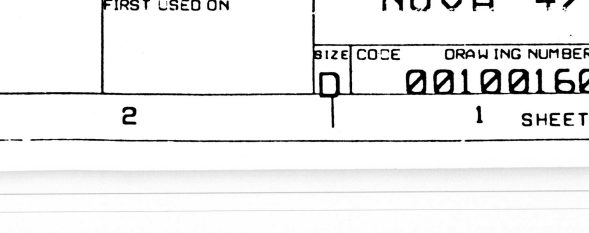
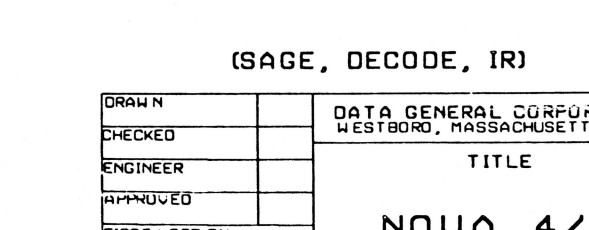
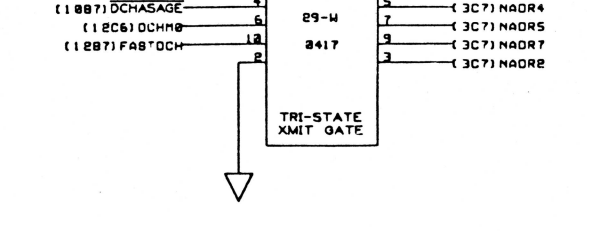
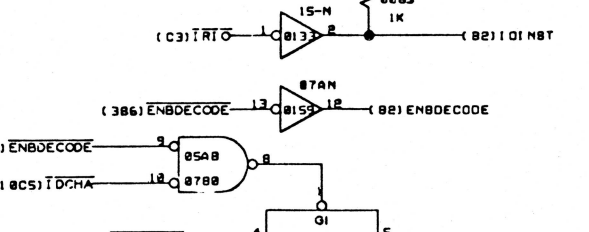
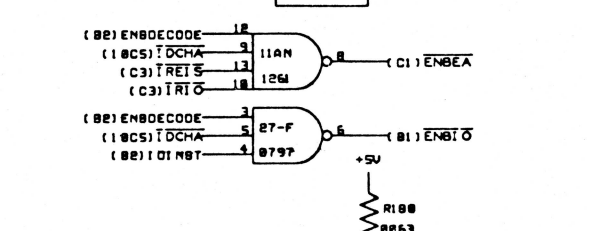
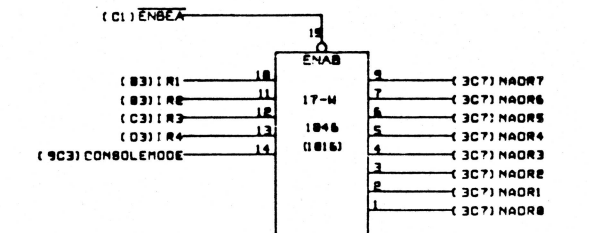
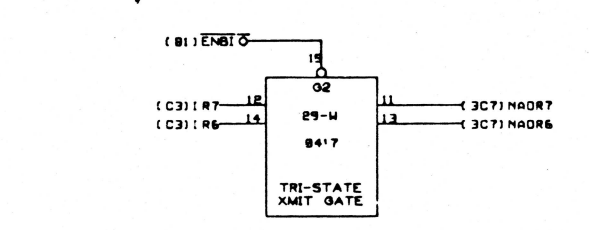
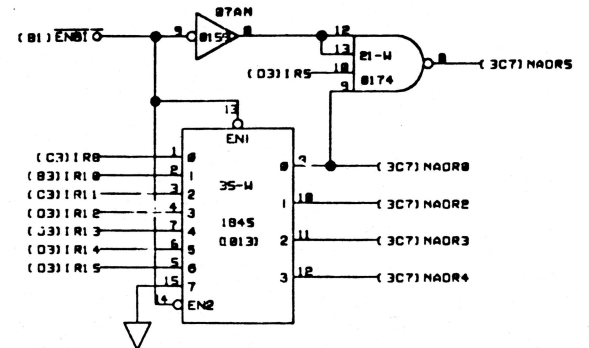
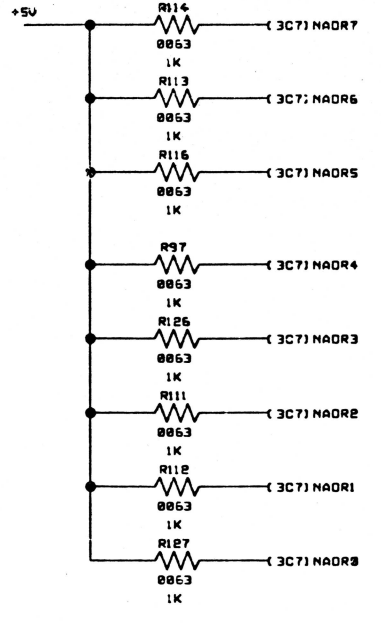
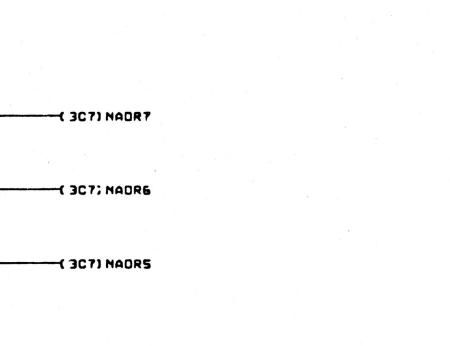
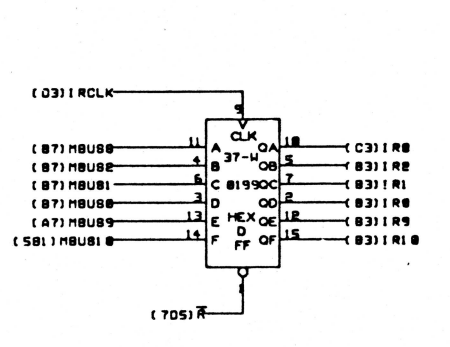
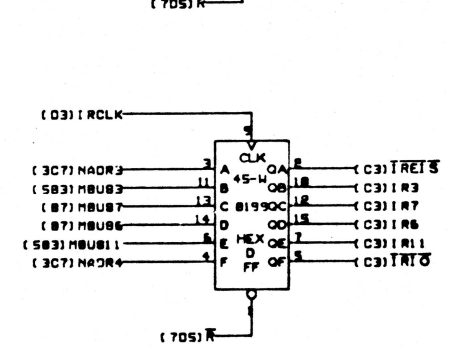
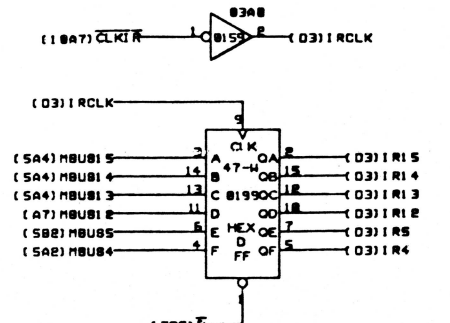
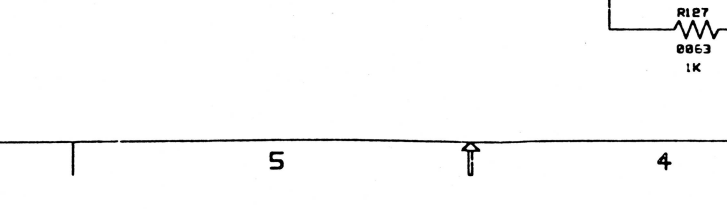
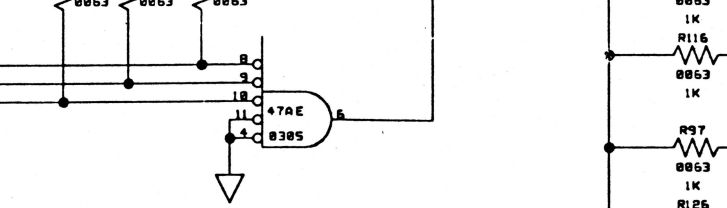
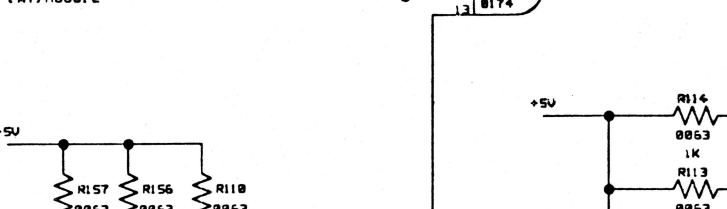
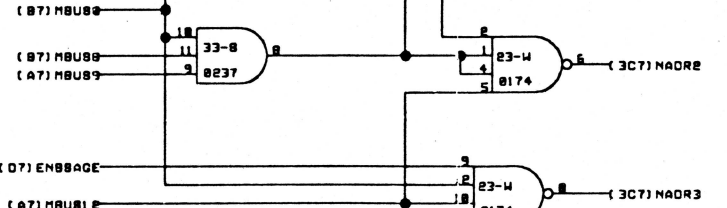
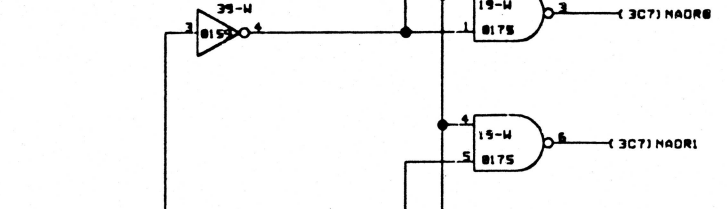
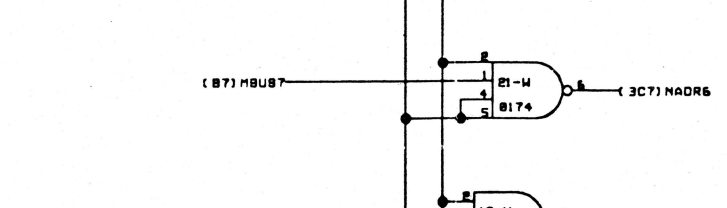
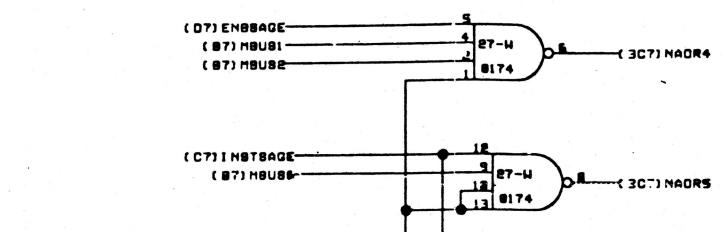
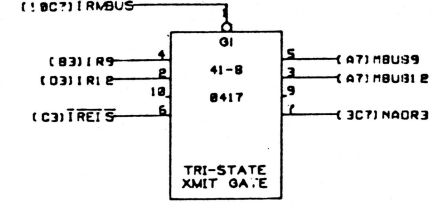
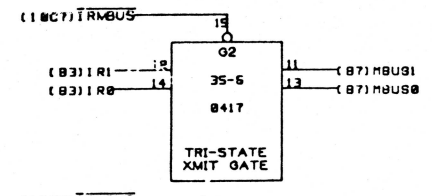
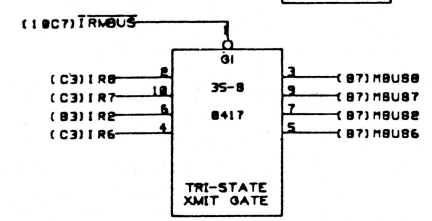
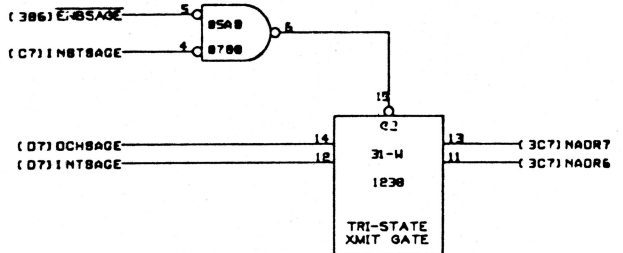
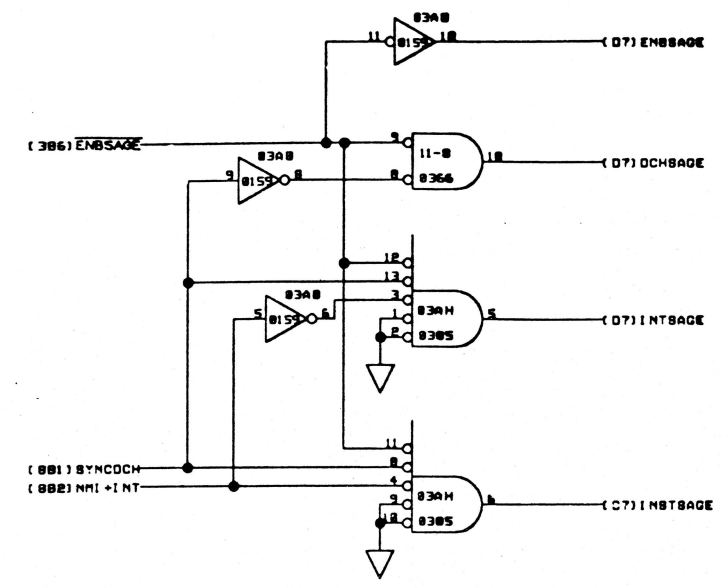
(CONTROL MEMORY, SEQUENCER)

DRAWN		DATA GENERAL CORPORATION WESTBORD, MASSACHUSETTS 01581
CHECKED		
ENGINEER		
APPROVED		
FIRST USED ON		
TITLE		
NOVA 4/C		
SIZE CODE	DRAWING NUMBER	REV
0	001001600	15



THIS DRAWING AND SPECIFICATIONS, HEREIN, ARE THE PROPERTY OF DATA GENERAL CORPORATION AND SHALL NOT BE REPRODUCED OR COPIED OR USED IN WHOLE OR IN PART AS THE BASIS FOR MANUFACTURE OR SALE OF ITEMS WITHOUT WRITTEN PERMISSION.

REVISIONS				
REV	DESCRIPTION	DRFTG	APP BY	DATE



(SAGE, DECODE, IR)

DRAWN		DATA GENERAL CORPORATION WESTBORO, MASSACHUSETTS 01581
CHECKED		
ENGINEER		
APPROVED		
FIRST USED ON		TITLE
		NOVA 4/C
		SIZE CODE
		001001600
		REV
		15



THIS DRAWING AND SPECIFICATIONS, HEREIN, ARE THE PROPERTY OF DATA GENERAL CORPORATION AND SHALL NOT BE REPRODUCED OR COPIED OR USED IN WHOLE OR IN PART AS THE BASIS FOR MANUFACTURE OR SALE OF ITEMS WITHOUT WRITTEN PERMISSION.

REVISIONS			
REV	DESCRIPTION	DRFTG	APP BY DATE

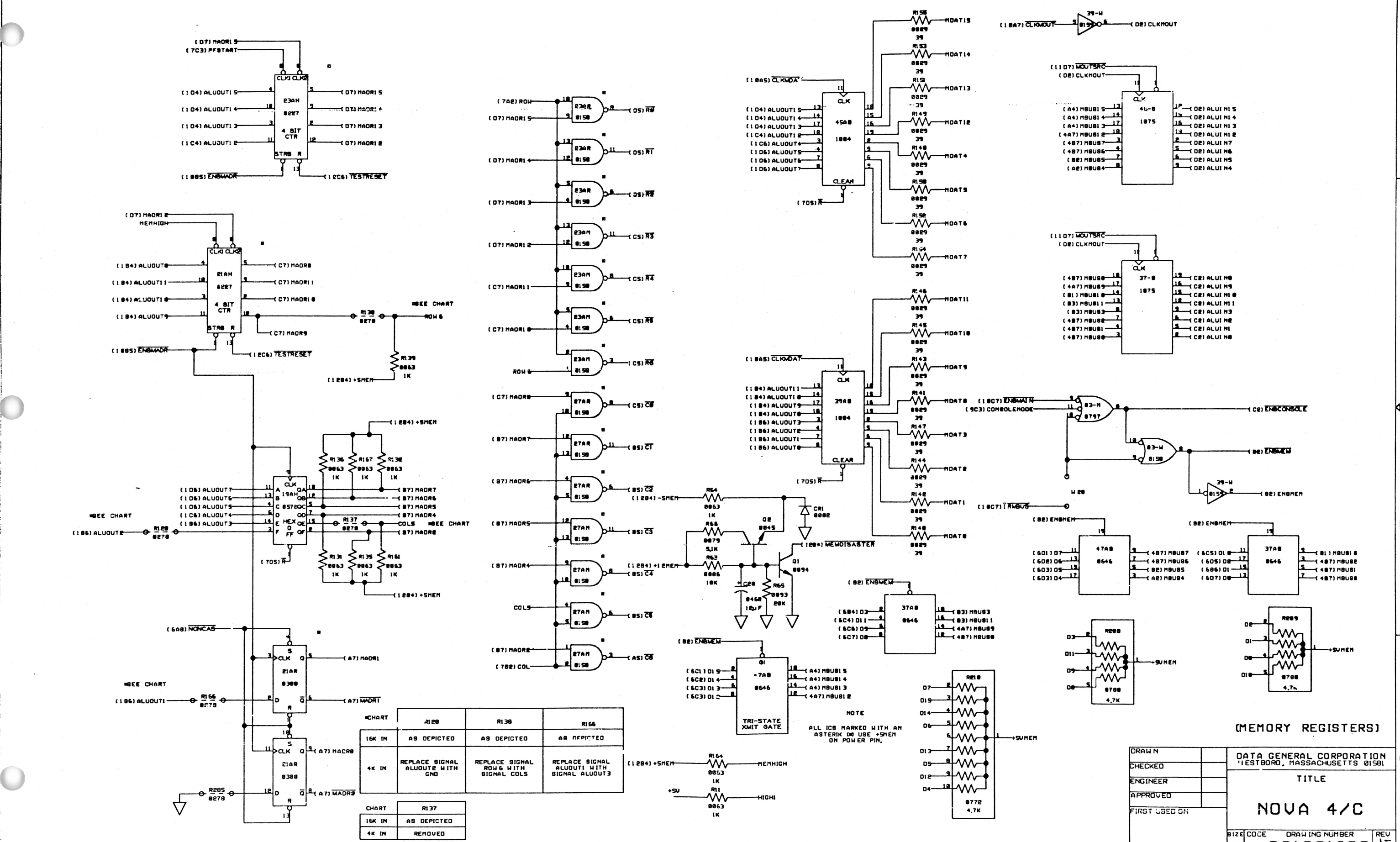


CHART	R128	R138	R166
16K IN	AS DEPICTED	AS DEPICTED	AS DEPICTED
4K IN	REPLACE SIGNAL ALUOUT1 WITH GND	REPLACE SIGNAL ROW6 WITH SIGNAL COLS	REPLACE SIGNAL ALUOUT1 WITH SIGNAL ALUOUT3

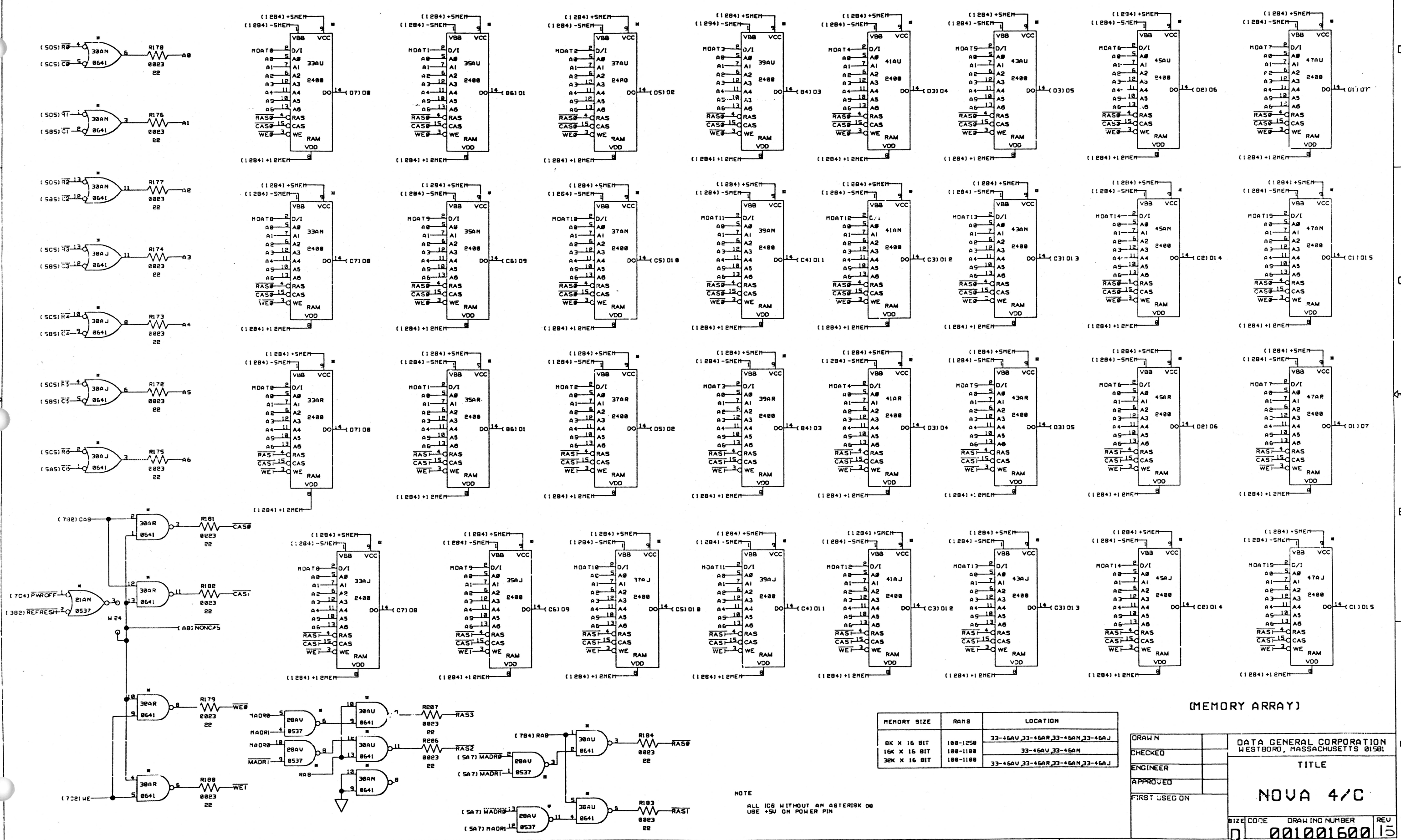
CHART	R137
16K IN	AS DEPICTED
4K IN	REMOVED

DRAWN		DATA GENERAL CORPORATION NESTBORO, MASSACHUSETTS 01581
CHECKED		
ENGINEER		
APPROVED		
FIRST USED ON		
TITLE		NOVA 4/C
SIZE CODE	DRAWING NUMBER	
	001001600	REV 13

(MEMORY REGISTERS)

THIS DRAWING AND SPECIFICATION, HEREIN, ARE THE PROPERTY OF DATA GENERAL CORPORATION AND SHALL NOT BE REPRODUCED OR COPIED OR USED IN WHOLE OR IN PART AS THE BASIS FOR MANUFACTURE OR SALE OF ITEMS WITHOUT WRITTEN PERMISSION.

REVISIONS				
REV	DESCRIPTION	DRFTG	APP BY	DATE



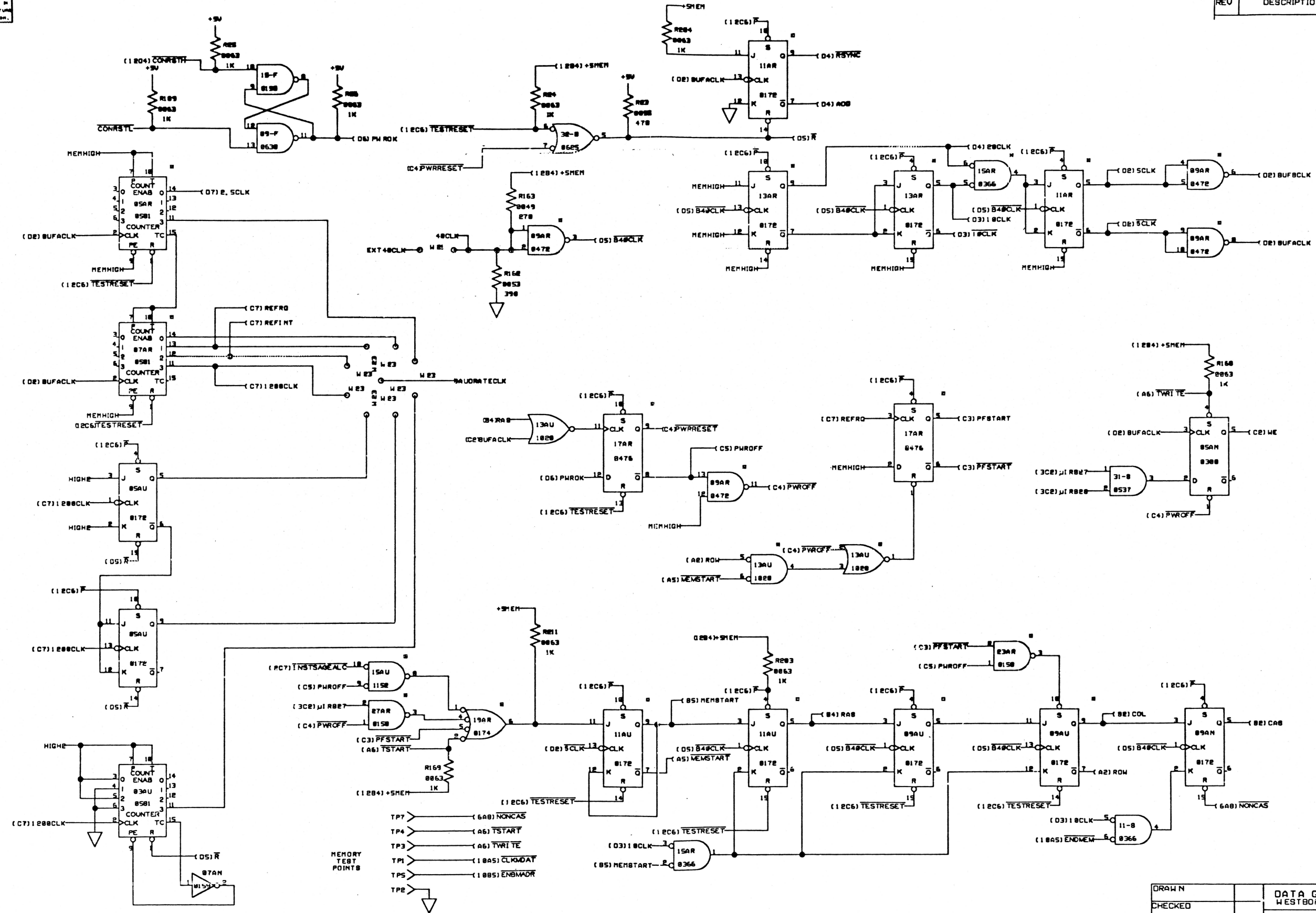
MEMORY SIZE	RANK	LOCATION
0K X 16 BIT	100-1250	33-46AU, 33-46AR, 33-46AN, 33-46AJ
16K X 16 BIT	100-1100	33-46AV, 33-46AN
32K X 16 BIT	100-1100	33-46AV, 33-46AR, 33-46AN, 33-46AJ

DRAWN	DATA GENERAL CORPORATION WESTBORO, MASSACHUSETTS 01581
CHECKED	
ENGINEER	
APPROVED	
FIRST USED ON	TITLE
NOVA 4/C	
SIZE CODE	DRAWING NUMBER
0	001001600 15

NOTE  
ALL ICs WITHOUT AN ASTERISK ON USE +5V ON POWER PIN

THE DRAWING AND SPECIFICATIONS, HEREIN, ARE THE PROPERTY OF DATA GENERAL CORPORATION AND SHALL NOT BE REPRODUCED OR COPIED IN WHOLE OR IN PART AS THE BASIS FOR MANUFACTURE OR SALE OF ANY PRODUCT WITHOUT WRITTEN PERMISSION.

REVISIONS			
REV	DESCRIPTION	DRFTG	APP BY



- MEMORY TEST POINTS
- TP7 > (6A8) NONCAS
  - TP4 > (A6) TSTART
  - TP3 > (A6) TWRT TE
  - TP1 > (18A5) CLK/DAT
  - TP5 > (18B5) EN/MADR
  - TP2 >

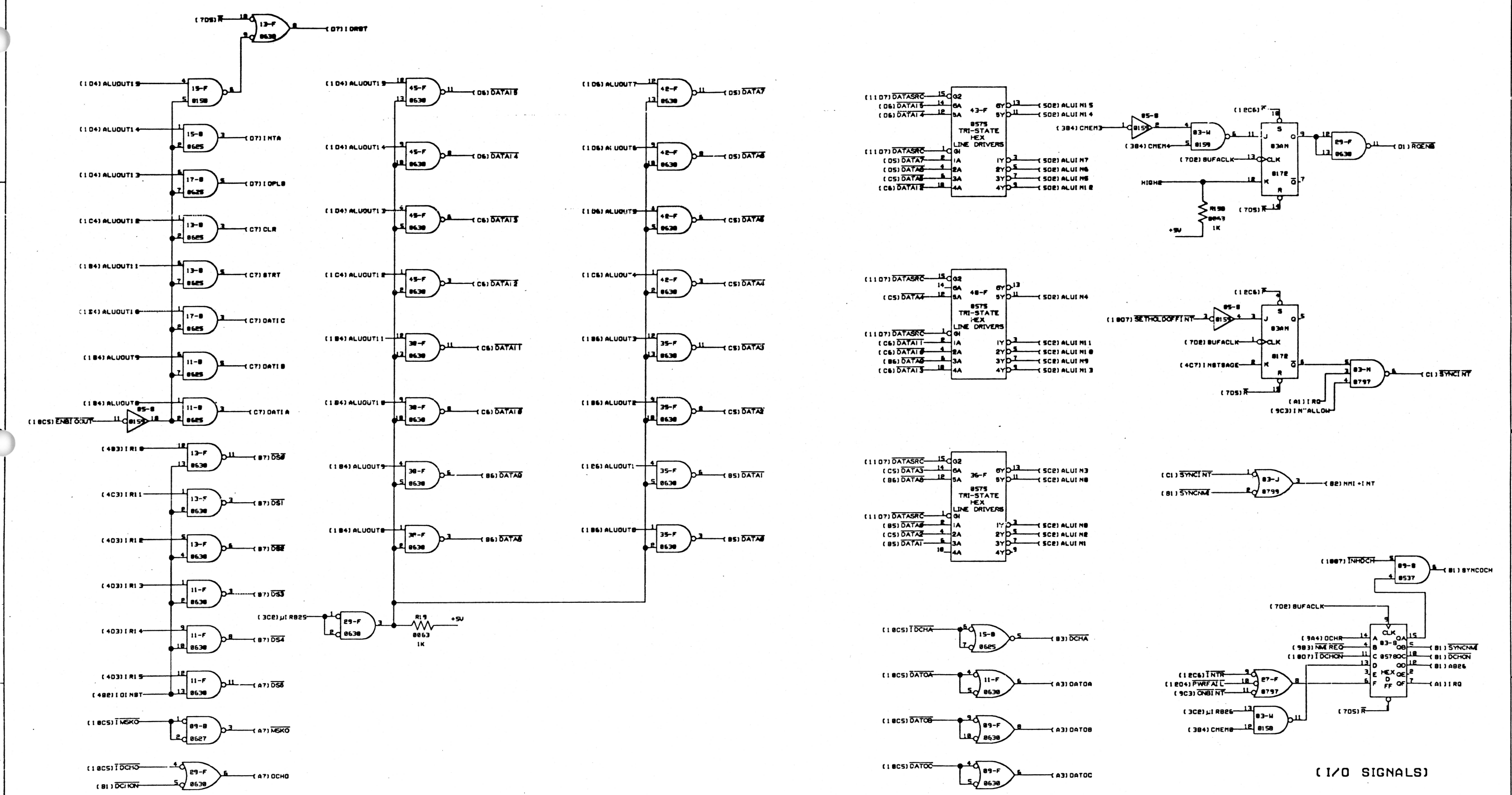
(TIMING)

DRAWN	DATA GENERAL CORPORATION
CHECKED	WESTBORO, MASSACHUSETTS 01581
ENGINEER	TITLE
APPROVED	NOVA 4/C
FIRST USED ON	SIZE CODE DRAWING NUMBER REV
	001001600 15



THIS DRAWING AND SPECIFICATIONS, HEREIN, ARE THE PROPERTY OF DATA GENERAL CORPORATION AND SHALL NOT BE REPRODUCED OR COPIED OR USED IN WHOLE OR IN PART AS THE BASIS FOR MANUFACTURE OR SALE OF ITEMS WITHOUT WRITTEN PERMISSION.

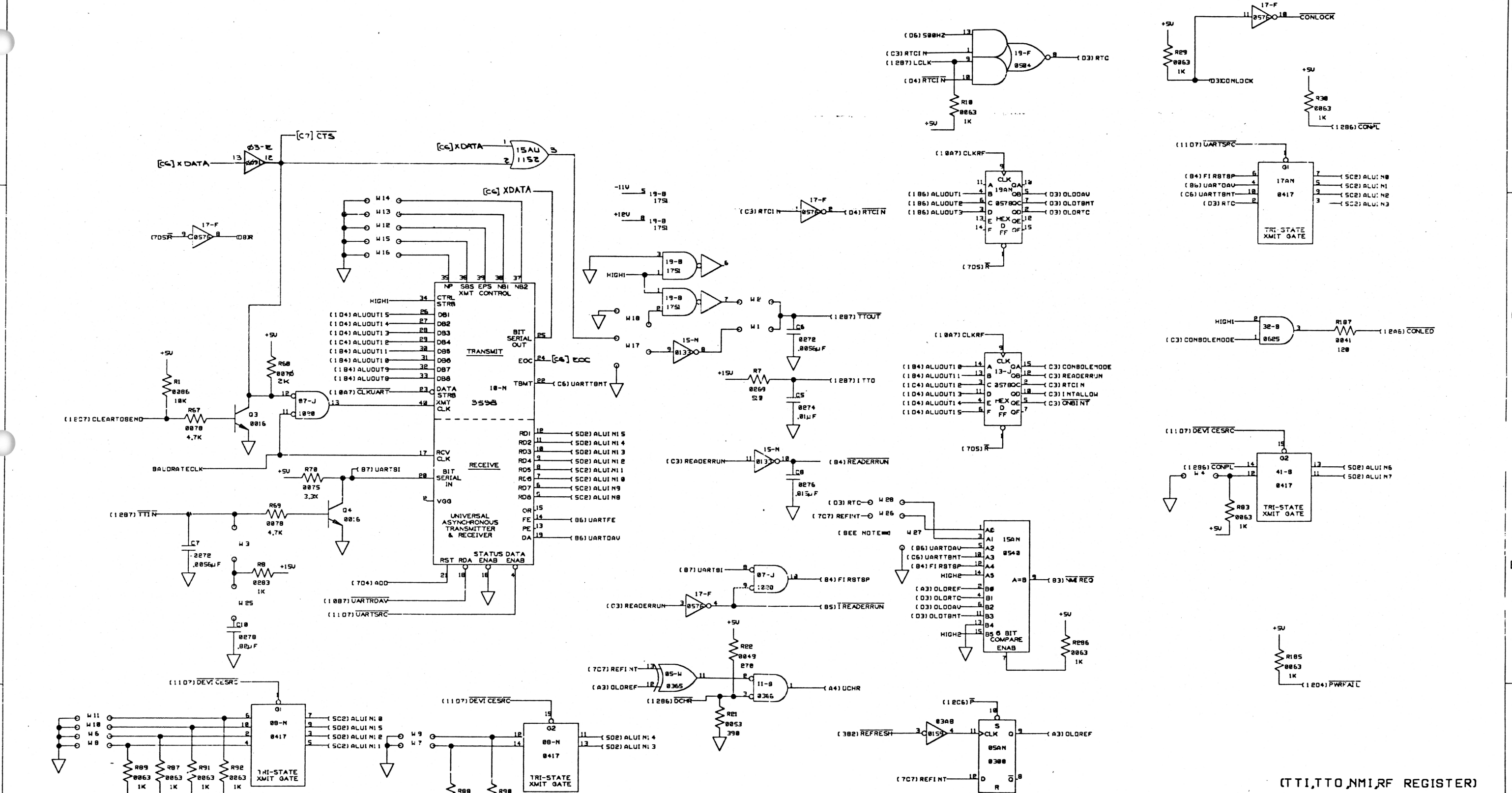
REVISIONS				
REV	DESCRIPTION	DRFTG	APP BY	DATE



DRAWN		DATA GENERAL CORPORATION WESTBORO, MASSACHUSETTS 01581		
CHECKED		TITLE		
ENGINEER		NOVA 4/C		
APPROVED		SIZE	CODE	DRAWING NUMBER
FIRST USED ON		0		00100160015

THIS DRAWING AND SPECIFICATIONS, HEREIN, ARE THE PROPERTY OF DATA GENERAL CORPORATION AND SHALL NOT BE REPRODUCED OR COPIED OR USED IN WHOLE OR IN PART AS THE BASIS FOR MANUFACTURE OR SALE OF ITEMS WITHOUT WRITTEN PERMISSION.

REVISIONS			
REV	DESCRIPTION	DATE	BY



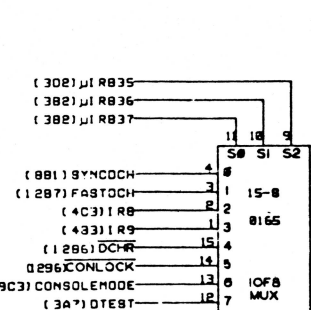
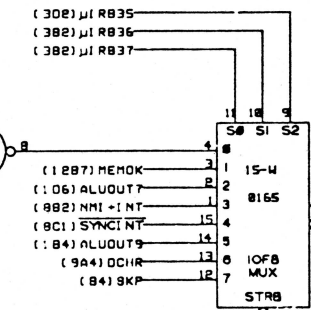
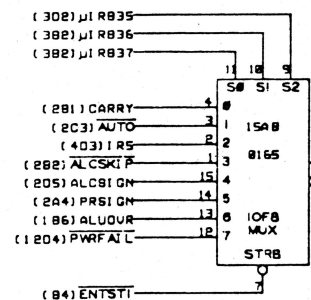
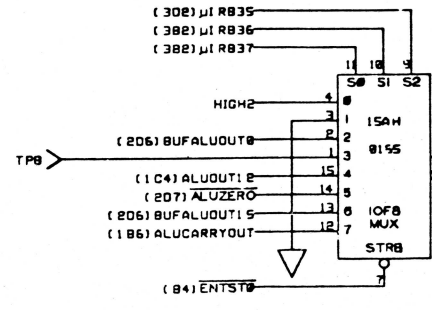
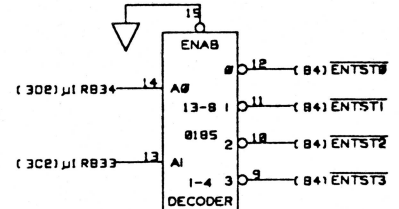
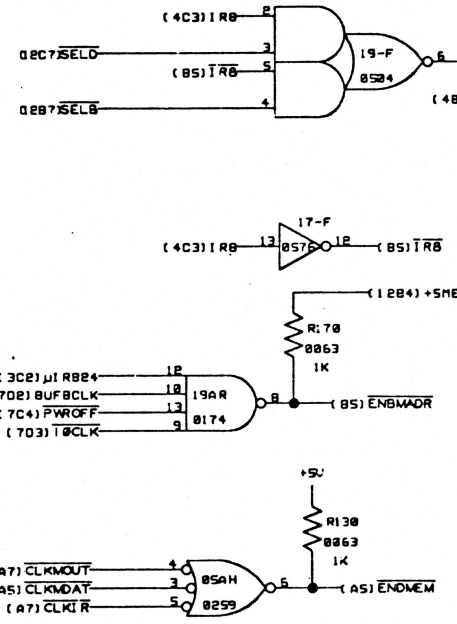
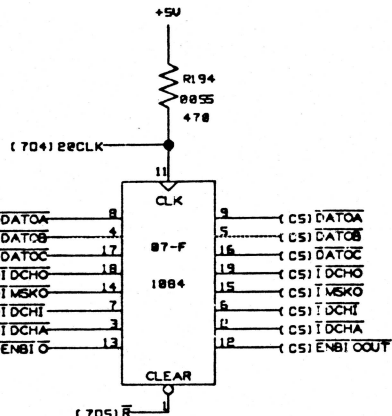
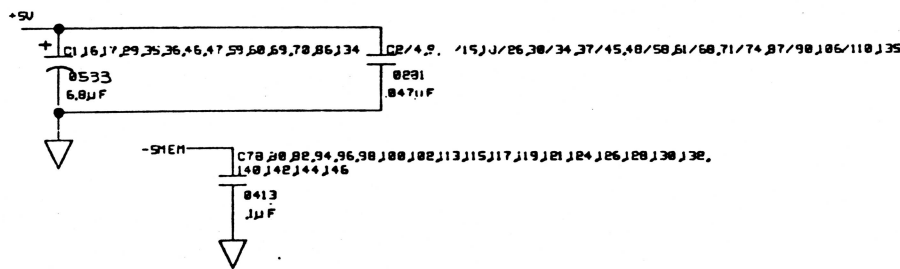
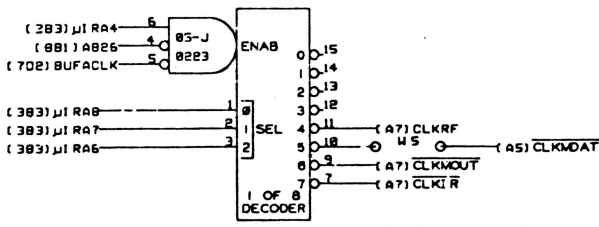
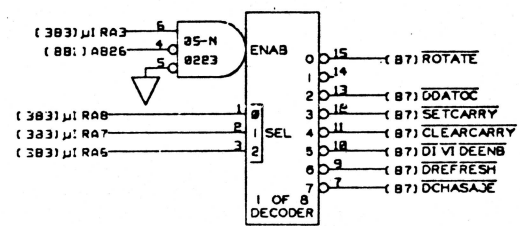
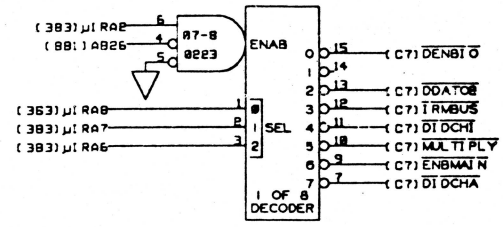
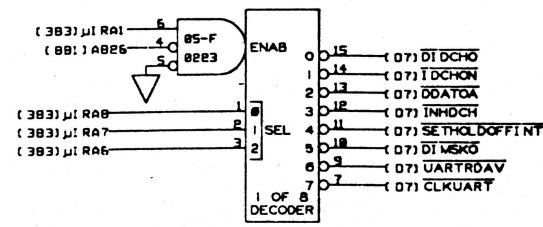
(TTI, TTO, NMI, RF REGISTER)

NOTE - W27 IS TO BE INSTALLED FOR TEST PURPOSES ONLY -

DRAWN	DATA GENERAL CORPORATION WESTBORO, MASSACHUSETTS 01581
CHECKED	TITLE
ENGINEER	NOVA 4/C
APPROVED	SIZE CODE DRAWING NUMBER REV
FIRST USED ON	001001600 15

THE DRAWING AND SPECIFICATIONS, HEREIN, ARE THE PROPERTY OF DATA GENERAL CORPORATION AND SHALL NOT BE REPRODUCED OR COPIED OR USED IN WHOLE OR IN PART AS THE BASIS FOR MANUFACTURE OR SALE OF ITEMS WITHOUT WRITTEN PERMISSION.

REVISIONS			
REV	DESCRIPTION	DRFTG	APP BY DATE



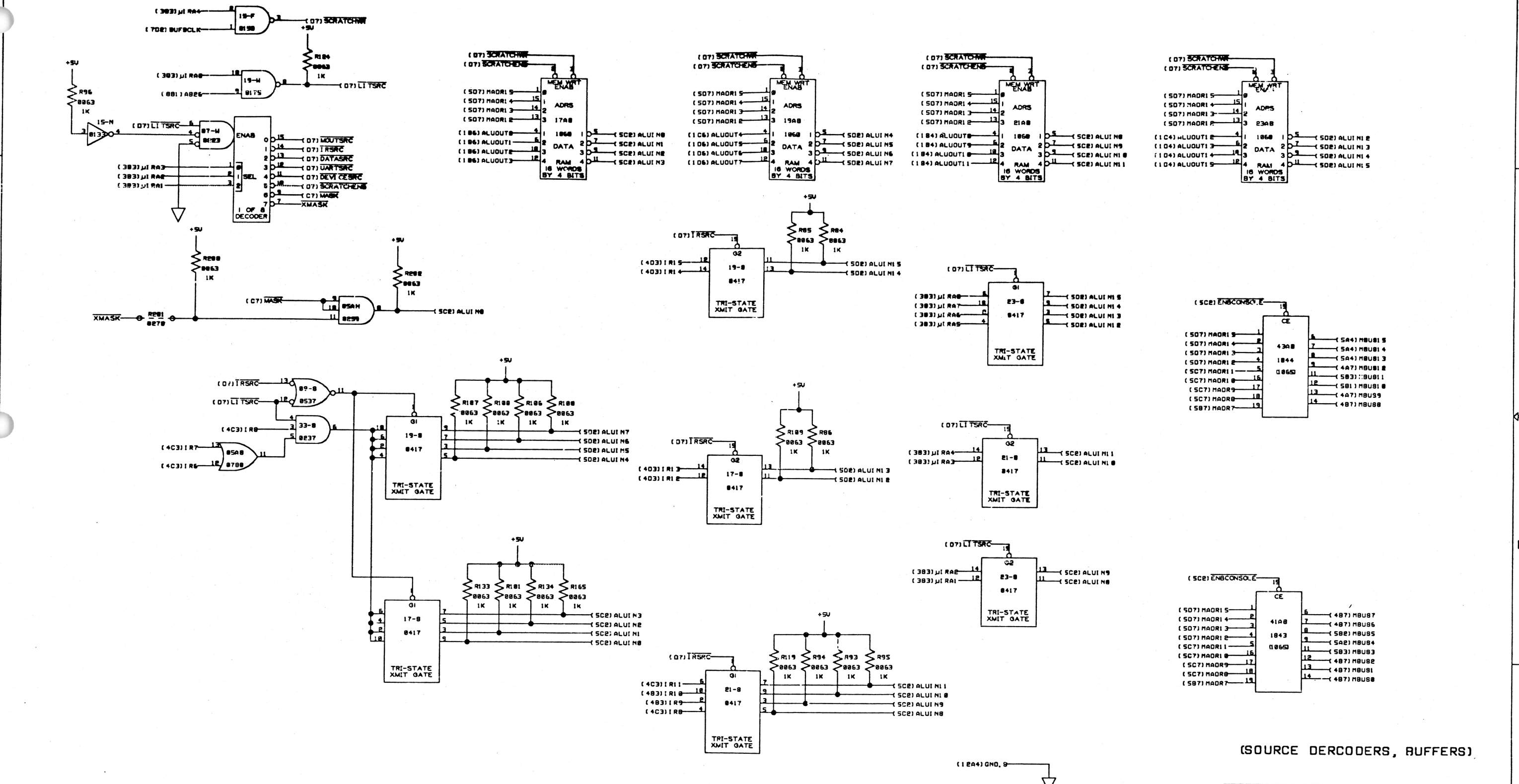
(RANDOM DECODERS, TEST MUX)

DRAWN	DATA GENERAL CORPORATION WESTBORO, MASSACHUSETTS 01581
CHECKED	TITLE
ENGINEER	NOVA 4/C
APPROVED	SIZE CODE DRAWING NUMBER REV
FIRST USED ON	0 001001600 15



THIS DRAWING AND SPECIFICATIONS, HEREIN, ARE THE PROPERTY OF DATA GENERAL CORPORATION AND SHALL NOT BE REPRODUCED OR COPIED OR USED IN WHOLE OR IN PART AS THE BASIS FOR MANUFACTURE OR SALE OF ITEMS WITHOUT WRITTEN PERMISSION.

REVISIONS			
REV	DESCRIPTION	DRAFTG	APP BY DATE



(SOURCE DECODERS, BUFFERS)

DRAWN		DATA GENERAL CORPORATION WESTBORO, MASSACHUSETTS 01581	
CHECKED		TITLE	
ENGINEER		<b>NOVA 4/C</b>	
APPROVED			
FIRST USED ON		SIZE CODE	DRAWING NUMBER
		0	001001600

THIS DRAWING AND SPECIFICATIONS, HEREIN, ARE THE PROPERTY OF DATA GENERAL CORPORATION AND SHALL NOT BE REPRODUCED OR COPIED OR USED IN WHOLE OR IN PART AS THE BASIS FOR MANUFACTURE OR SALE OF ITEMS WITHOUT WRITTEN PERMISSION.

REVISIONS			
REV	DESCRIPTION	DRFTG	APP BY DATE

A001 O (A4) GND, B  
A002 O (A4) GND, B  
A003 O (B4) +5V  
A004 O (B4) +5V  
A005 O  
A006 O  
A007 O  
A008 O  
A009 O  
A010 O (D8) +1.5V  
A011 O  
A012 O  
A013 O  
A014 O  
A015 O  
A016 O  
A017 O  
A018 O  
A019 O  
A020 O  
A021 O  
A022 O  
A023 O  
A024 O  
A025 O  
A026 O  
A027 O  
A028 O  
A029 O  
A030 O  
A031 O  
A032 O  
A033 O  
A034 O  
A035 O  
A036 O  
A037 O  
A038 O (B4) MSKO  
A039 O  
A040 O (B07) INTA  
A041 O  
A042 O (B07) DATIB  
A043 O  
A044 O (B07) DATIA  
A045 O  
A046 O (B07) DS3  
A047 O  
A048 O (B4) DATOC  
A049 O  
A050 O (B07) CLR

A051 O  
A052 O (B07) STRT  
A053 O  
A054 O (B07) DATIC  
A055 O  
A056 O (B4) DATOB  
A057 O  
A058 O (B4) DATOA  
A059 O  
A060 O (B03) DCHA  
A061 O  
A062 O (B07) DS4  
A063 O  
A064 O (B4) DS5  
A065 O  
A066 O (B07) DS2  
A067 O  
A068 O (B07) DS1  
A069 O  
A070 O (B07) IORST  
A071 O  
A072 O (B07) DS6  
A073 O  
A074 O (B07) I DPLB  
A075 O  
A076 O  
A077 O  
A078 O  
A079 O  
A080 O (C7) SEL0  
A081 O (C7) CLEAR2OBEND  
A082 O (B7) SELB  
A083 O (B7) ITTO  
A084 O  
A085 O (B7) TTOUT  
A086 O  
A087 O (B7) LCLK  
A088 O  
A089 O (B04) READERRUN  
A090 O (B04) S00HZ  
A091 O  
A092 O  
A093 O (B7) TTN  
A094 O (B7) FASTOCH  
A095 O (B7) MEMOK  
A096 O (B4) +5V  
A097 O (B4) +5V  
A098 O (A4) GND, B  
A099 O (A4) GND, B  
A100 O (A4) GND, B

B001 O (A4) GND, B  
B002 O (A4) GND, B  
B003 O (B4) +5V  
B004 O (B4) +5V  
B005 O  
B006 O  
B007 O  
B008 O  
B009 O  
B010 O  
B011 O  
B012 O  
B013 O  
B014 O  
B015 O  
B016 O  
B017 O (C6) DCHMB  
B018 O  
B019 O  
B020 O  
B021 O  
B022 O  
B023 O (C6) TESTRESET  
B024 O  
B025 O (C6) F  
B026 O  
B027 O  
B028 O  
B029 O (C6) INTW  
B030 O  
B031 O  
B032 O  
B033 O (B4) DCHD  
B034 O  
B035 O (B6) DCHW  
B036 O  
B037 O (B4) DCHI  
B038 O  
B039 O  
B040 O (B6) CONLOCK  
B041 O (B01) ROENB  
B042 O  
B043 O  
B044 O  
B045 O  
B046 O  
B047 O  
B048 O (B6) CONPL  
B049 O (A6) CONLED  
B050 O

B051 O (D4) CONRSTH  
B052 O (D4) CONRSTL  
B053 O  
B054 O (D4) PWFAL  
B055 O (B05) DATA7  
B056 O (B06) DATA7  
B057 O (B05) DATA8  
B058 O (B06) DATA8  
B059 O (B06) DATA8  
B060 O (B06) DATA8  
B061 O (B05) DATA8  
B062 O (B05) DATA8  
B063 O (B06) DATA8  
B064 O (B06) DATA8  
B065 O (B05) DATA8  
B066 O (B06) DATA8  
B067 O (B6) CONPL  
B068 O  
B069 O (B4) +1.2VEM  
B070 O (B4) +1.2VEM  
B071 O (B4) +1.2VEM  
B072 O (B4) +1.2VEM  
B073 O (B05) DATA8  
B074 O  
B075 O (B06) DATA8  
B076 O  
B077 O (C7) IIV  
B078 O (706) PH ROK  
B079 O  
B080 O  
B081 O  
B082 O (B05) DATA8  
B083 O  
B084 O  
B085 O  
B086 O (B4) +1.2V  
B087 O (B4) +1.2V  
B088 O (B4) +1.2V  
B089 O (B4) +1.2V  
B090 O (B4) -SHEM  
B091 O (B4) +SHEM  
B092 O (B4) +SHEM  
B093 O (B05) DATA8  
B094 O (B4) MEMDI SASTER  
B095 O (B4) +5V  
B096 O (B4) +5V  
B097 O (A4) GND, B  
B098 O (A4) GND, B  
B099 O (A4) GND, B  
B100 O

THIS SIGNAL APPEARS HERE ON ASSYS. 005-12412, 12413 (16K) AND 005-12414, 12415 (32K) ONLY.

DRAWN	DATA GENERAL CORPORATION
CHECKED	WESTBORO, MASSACHUSETTS 01581
ENGINEER	TITLE
APPROVED	NOVA 4/C
FIRST USED ON	
SIZE CODE	DRAWING NUMBER
0	001001600
REV	15