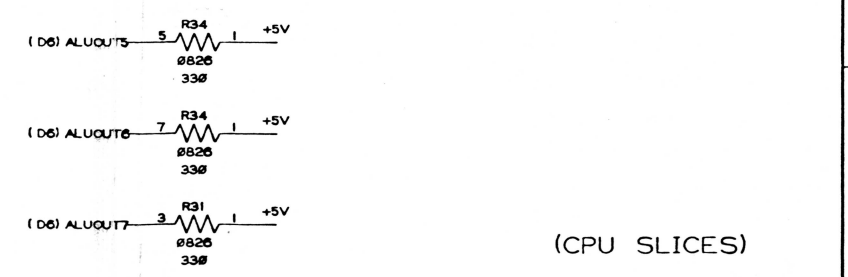
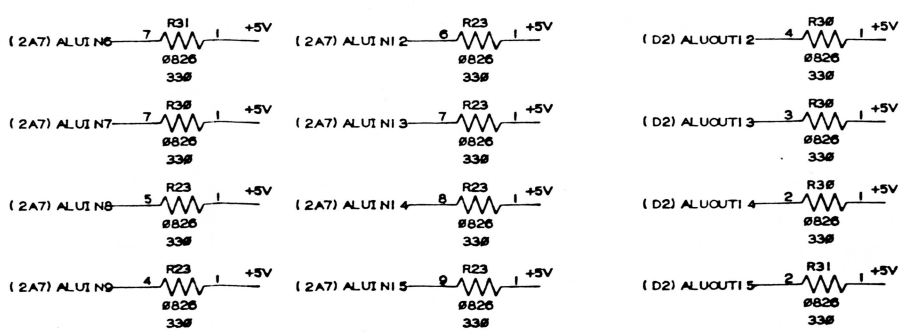
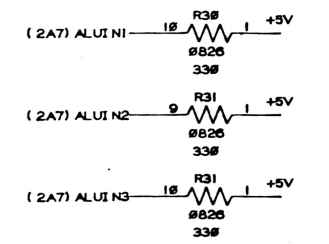
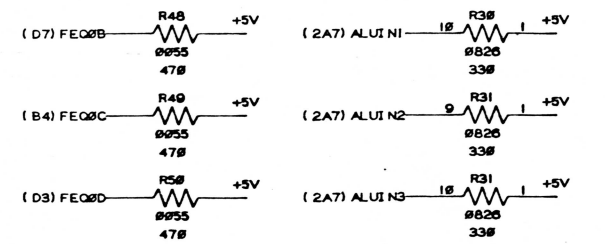
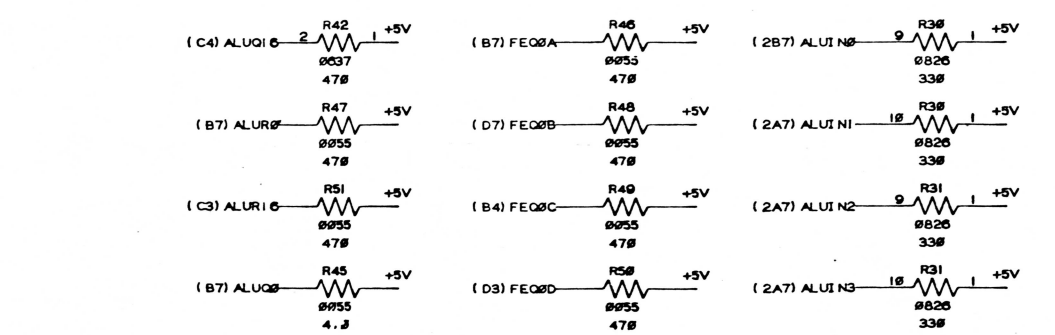
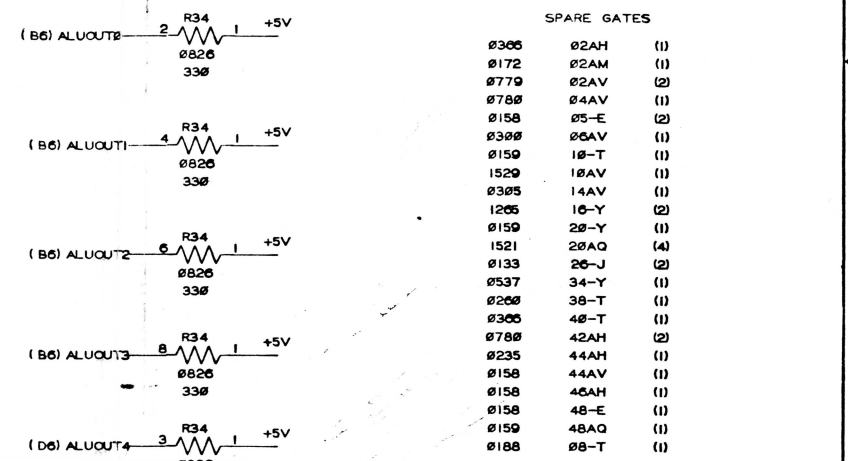
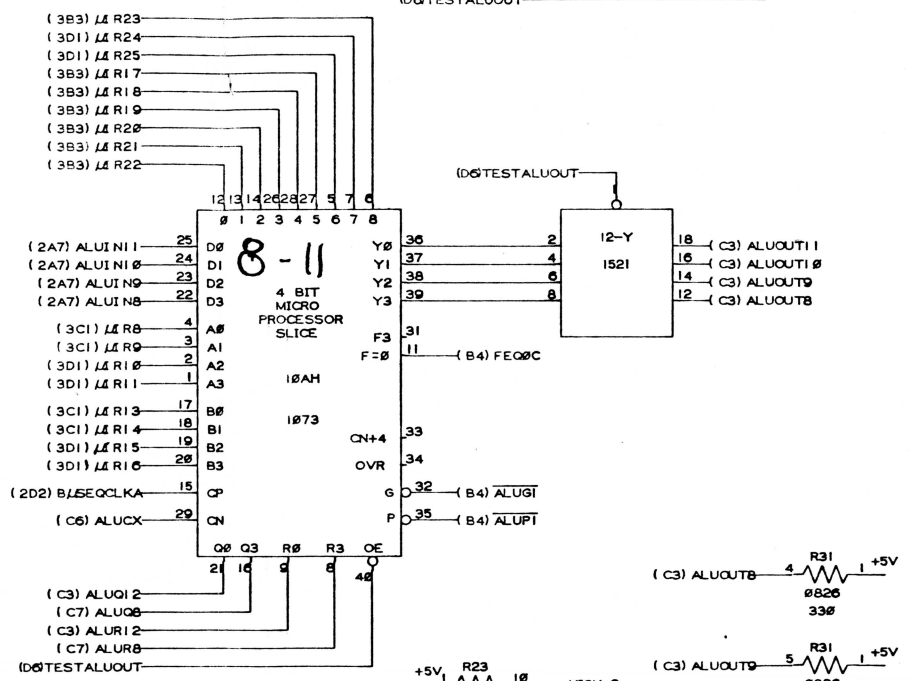
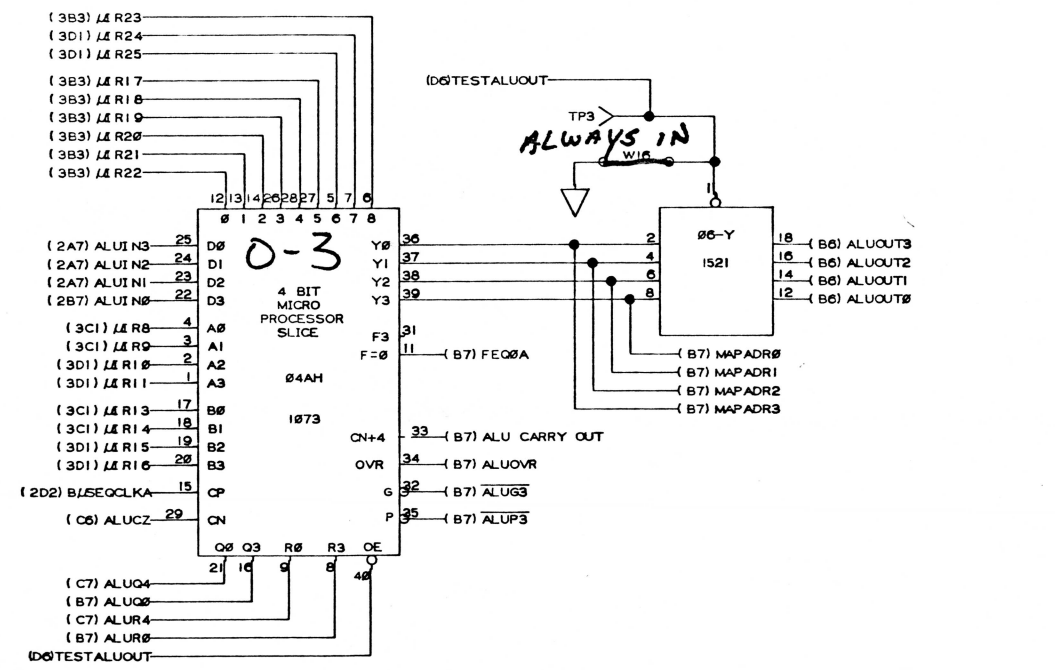
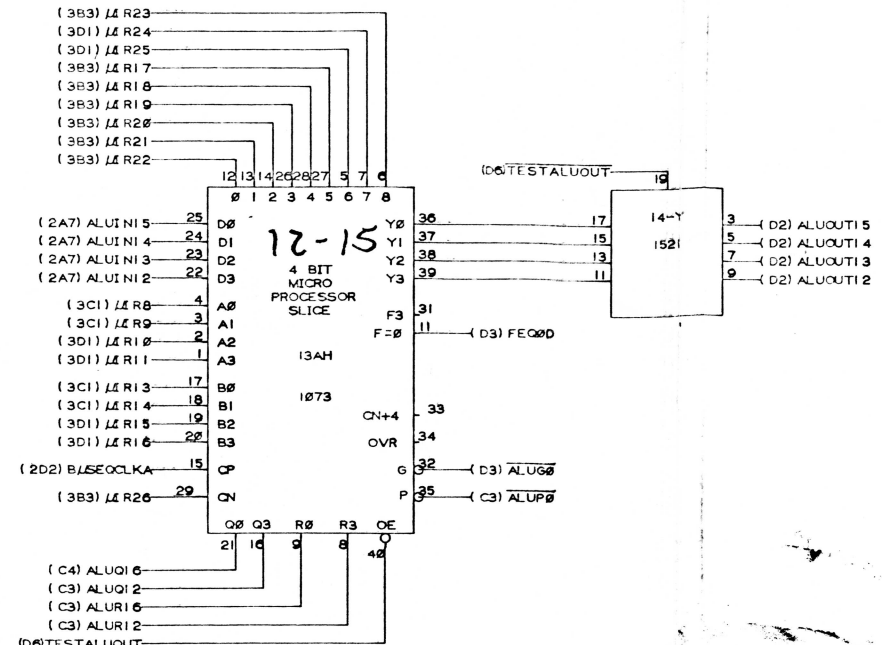
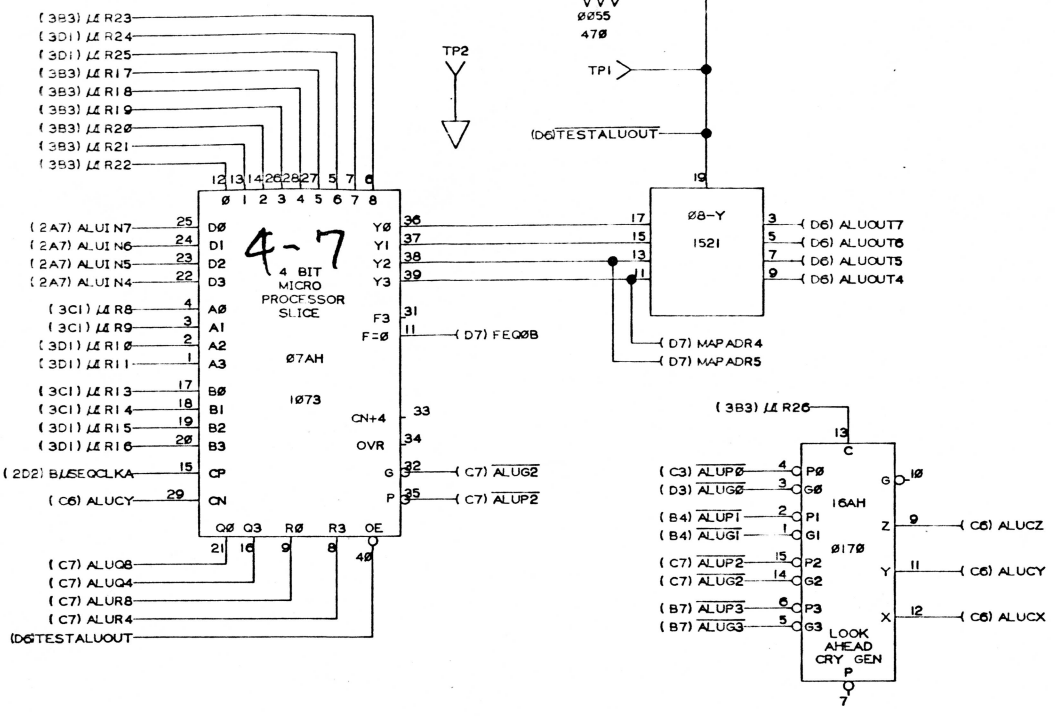


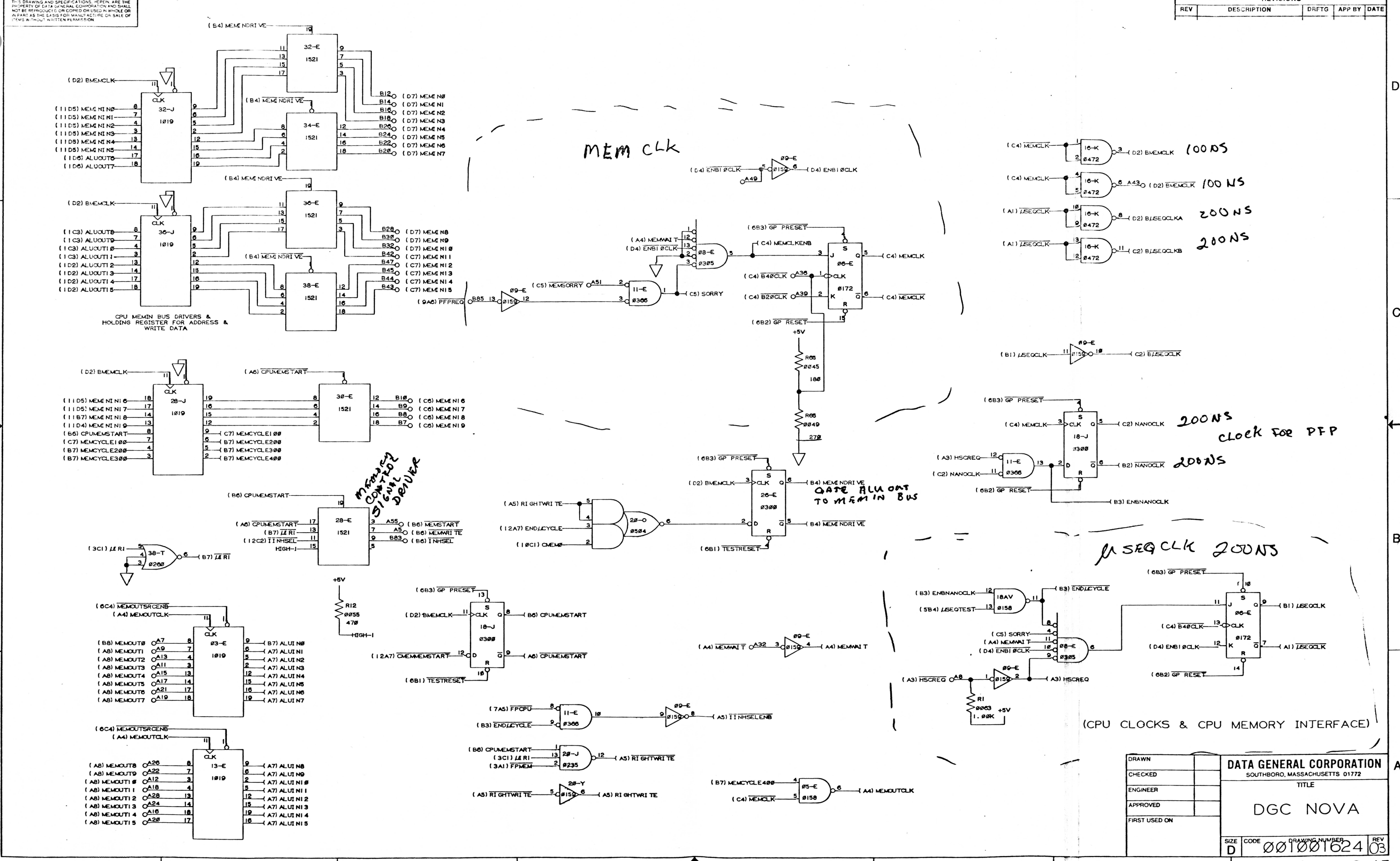
THIS DRAWING AND SPECIFICATIONS HEREIN ARE THE PROPERTY OF DATA GENERAL CORPORATION AND SHALL NOT BE REPRODUCED OR COPIED OR TRANSMITTED IN ANY FORM OR BY ANY MEANS, ELECTRONIC OR MECHANICAL, INCLUDING PHOTOCOPYING, RECORDING, OR BY ANY INFORMATION STORAGE AND RETRIEVAL SYSTEM, WITHOUT THE WRITTEN PERMISSION OF DATA GENERAL CORPORATION.

REVISIONS				
REV	DESCRIPTION	DRFTG	APP BY	DATE
00	PER ECO 590	WLG	DSG	10/17/78
01	PER ECO 590	WLG	DSG	10/17/78
02	PER ECO 590	WLG	DSG	10/17/78
03	PER ECO 9622	WLG	DSG	10/17/78



ARTWORK: 107 949	DRAWN: DIGITIZED	10/17/78	DATA GENERAL CORPORATION SOUTHBORO MASSACHUSETTS 01772
ARTWORK VS SCHEMATIC	CHECKED		
REV SCHEMATIC REVISIONS	ENGINEER	10/17/78	TITLE
01 00, 01, 02, 03	DRIVE GARDINER	10/17/78	DGC NOVA
	APPROVED	10/17/78	
	FIRST USED ON		
	005012066-U		
	005012067-T		
SIZE D	CODE 00100162403	DRAWING NUMBER	REV

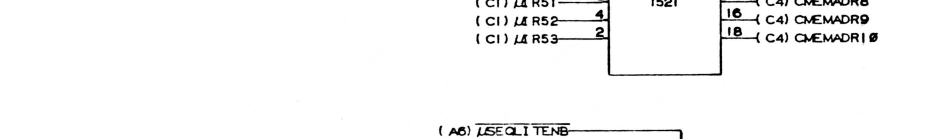
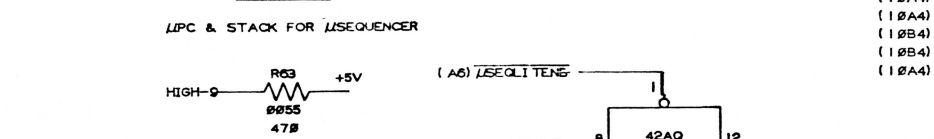
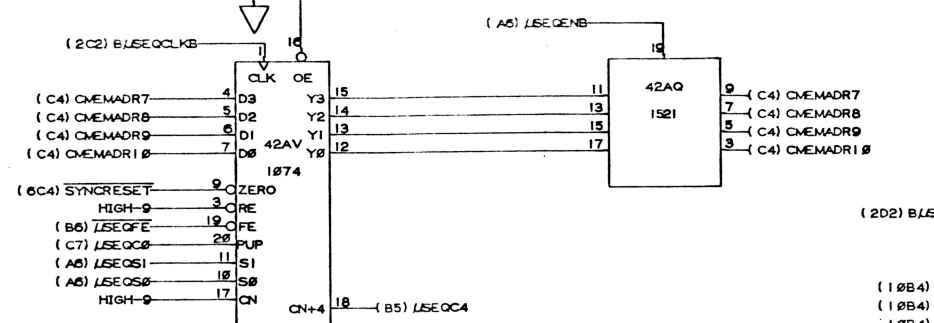
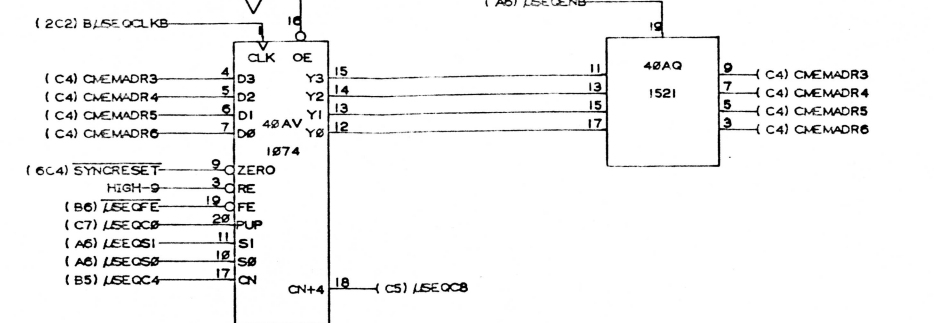
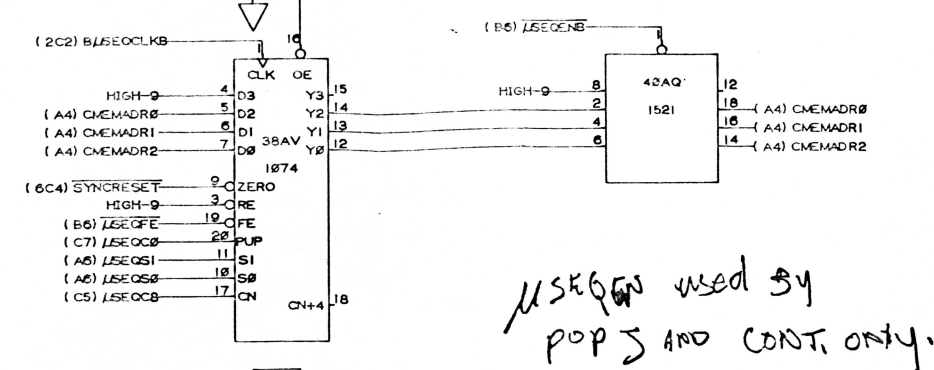
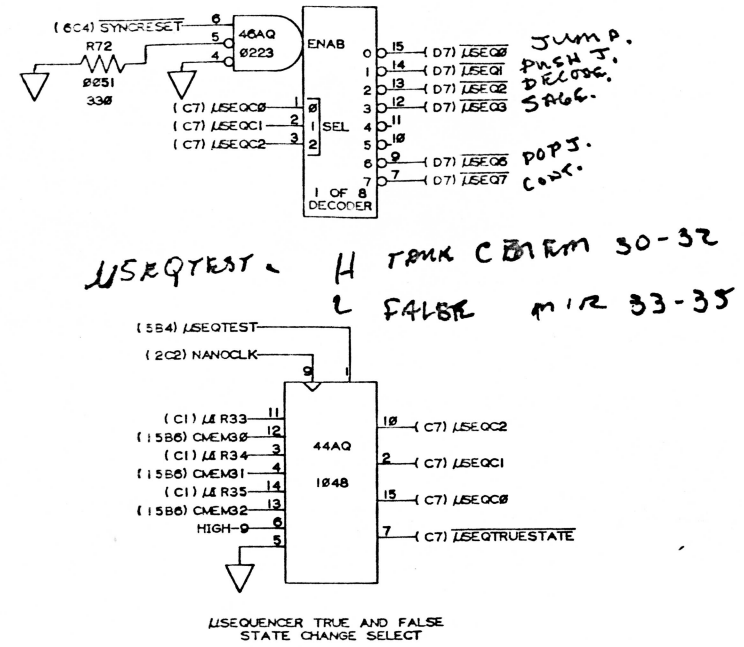
REVISIONS			
REV	DESCRIPTION	DRFTG	APP BY DATE



DRAWN		DATA GENERAL CORPORATION	
CHECKED		SOUTHBORO, MASSACHUSETTS 01772	
ENGINEER		TITLE	
APPROVED		DGC NOVA	
FIRST USED ON		SIZE	CODE
		D	001001624
		DRAWING NUMBER	REV
			03

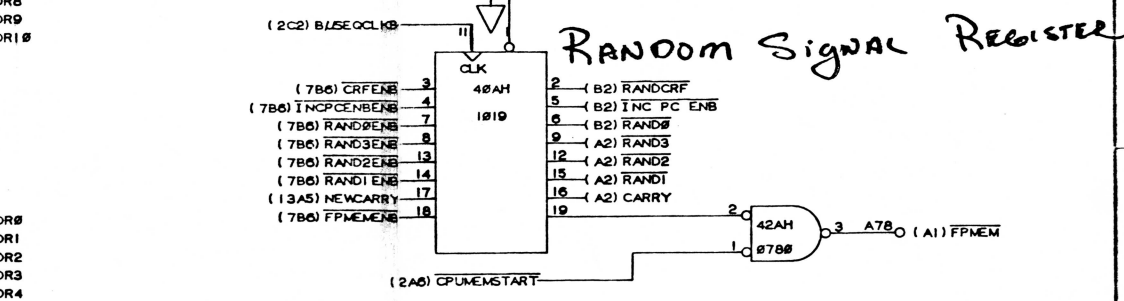
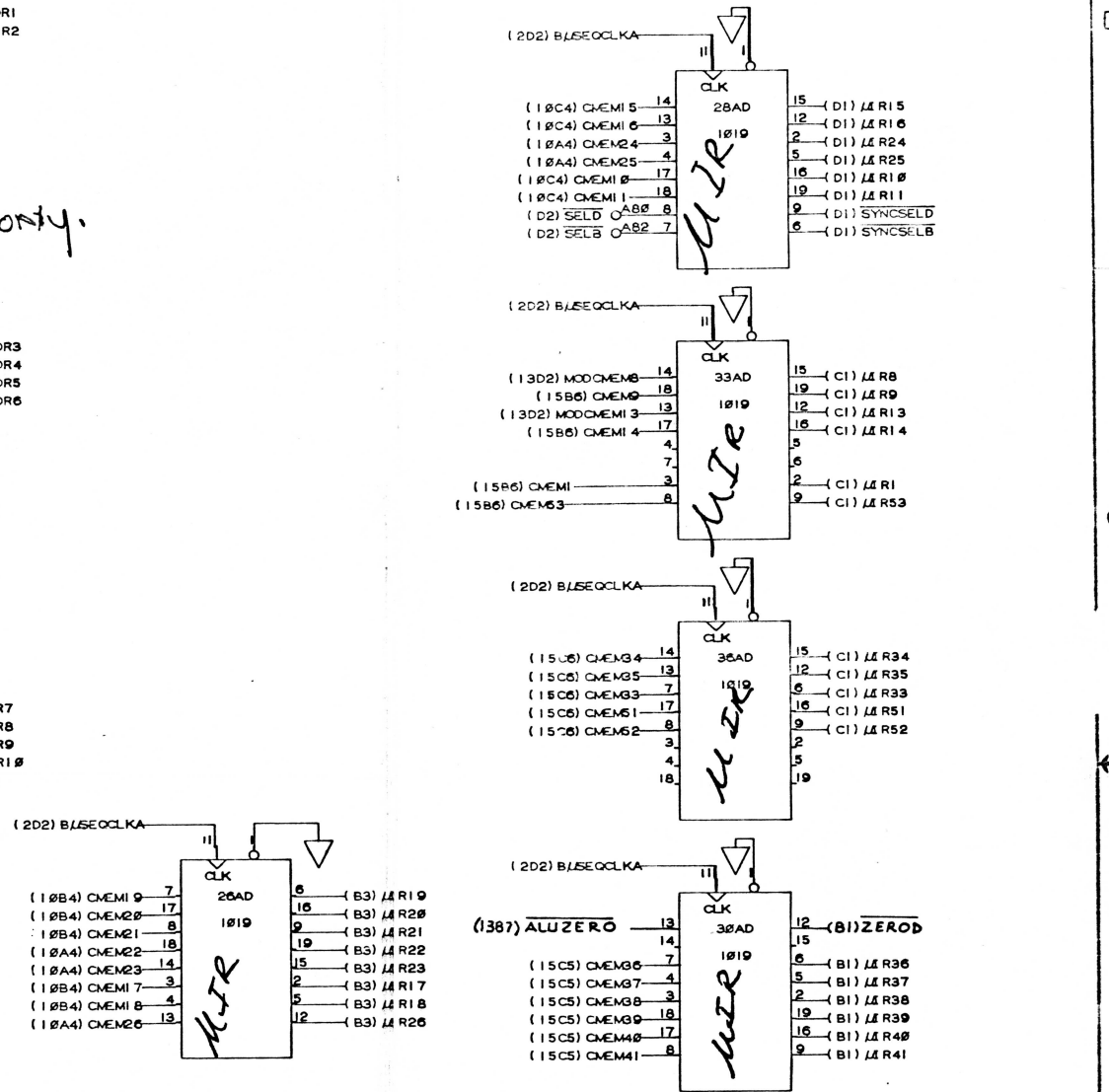
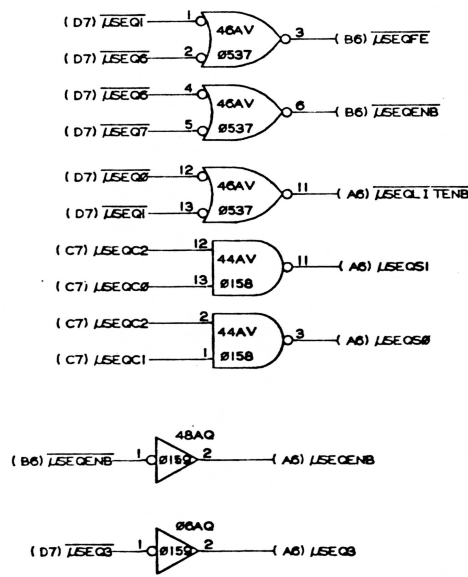
THIS DRAWING AND SPECIFICATIONS HEREIN ARE THE PROPERTY OF DATA GENERAL CORPORATION AND SHALL NOT BE REPRODUCED OR COPIED OR USED IN WHOLE OR IN PART AS THE BASIS FOR MANUFACTURE OR SALE OF ITEMS WITHOUT WRITTEN PERMISSION

REVISIONS			
REV	DESCRIPTION	DRFTG	APP BY DATE



NOTE

L1SEQ	C2	C1	C0
JUMP	0	0	0
PUSH	0	0	1
DECODE	0	1	0
SAGE	0	1	1
UNUSED	1	0	0
UNUSED	1	0	1
POP	1	1	0
CONTINUE	1	1	1



(MICRO IR AND MICRO SEQUENCER)

DRAWN		DATA GENERAL CORPORATION	
CHECKED		SOUTHBORO, MASSACHUSETTS 01772	
ENGINEER		TITLE	
APPROVED		DGC NOVA	
FIRST USED ON		SIZE	CODE
		D	001001624
		DRAWING NUMBER	REV
			03

8

7

6

5

4

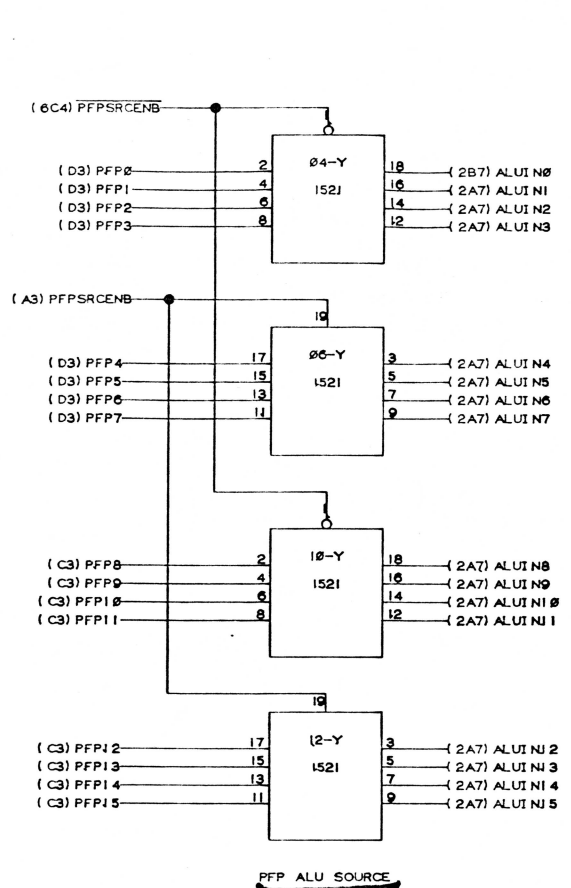
3

2

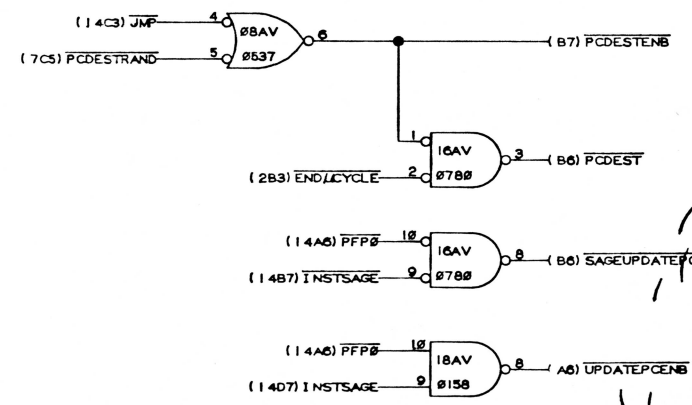
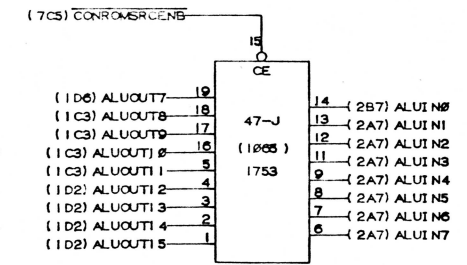
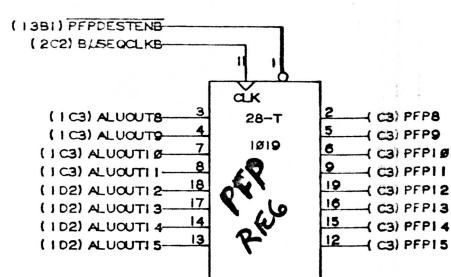
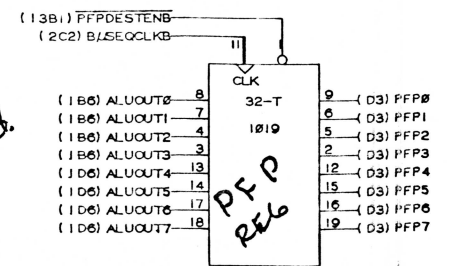
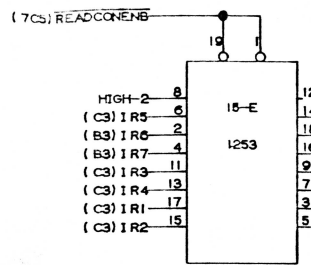
1

THIS DRAWING AND SPECIFICATIONS, HEREIN ARE THE PROPERTY OF DATA GENERAL CORPORATION AND SHALL NOT BE REPRODUCED OR COPIED OR USED IN WHOLE OR IN PART AS THE BASIS FOR MANUFACTURE OR SALE OF ITEMS WITHOUT WRITTEN PERMISSION.

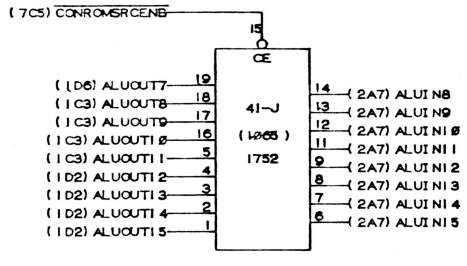
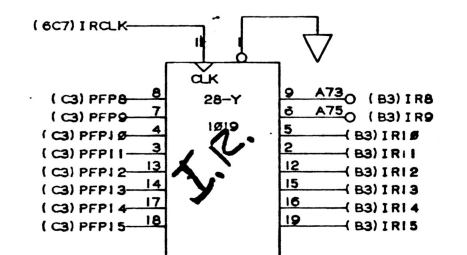
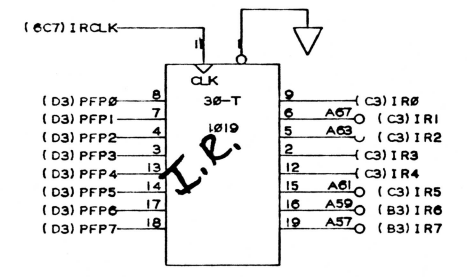
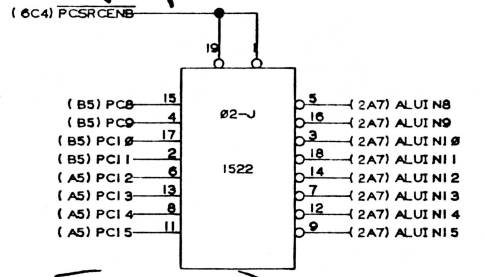
REVISIONS				
REV	DESCRIPTION	DRFTG	APP BY	DATE



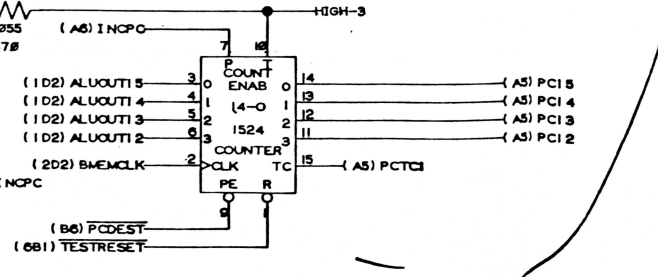
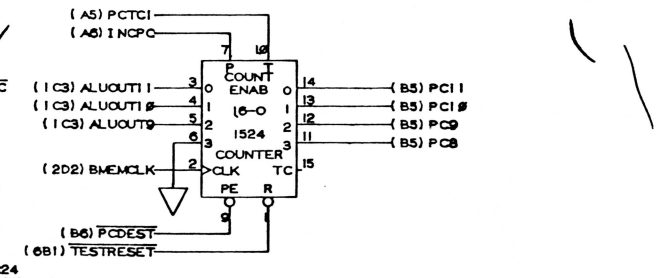
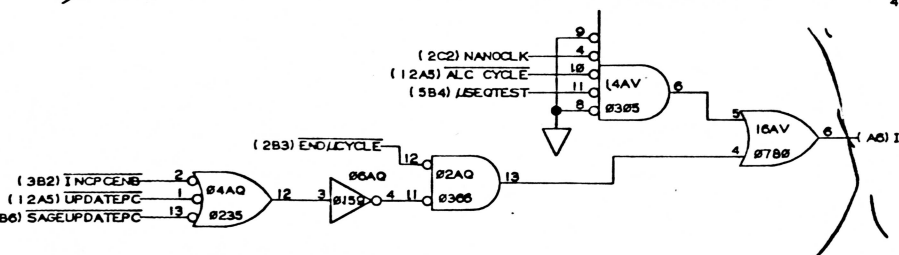
SET TRUE WITH READ SWITCHES COMMAND



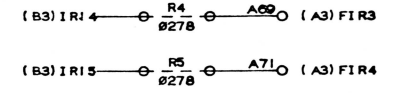
FOR GATING EXTERNAL PC TO ALU IN BUS



UPDATE PC LOGIC



EXTERNAL PC REGISTER COUNTER



(PC, CONSOLE ROM, PFP SRC, PFP DEST IR)

DRAWN		DATA GENERAL CORPORATION		
CHECKED		SOUTHBORO, MASSACHUSETTS 01772		
ENGINEER		TITLE		
APPROVED		DGC NOVA		
FIRST USED ON		SIZE	CODE	DRAWING NUMBER
		D		001001624 03

8

7

6

5

4

3

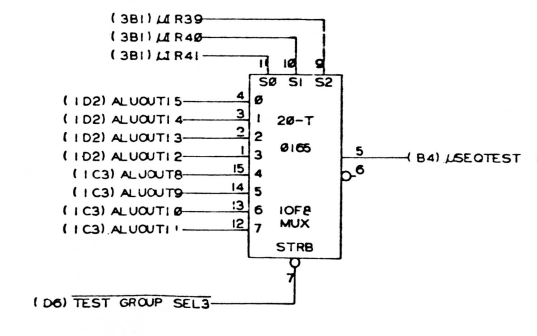
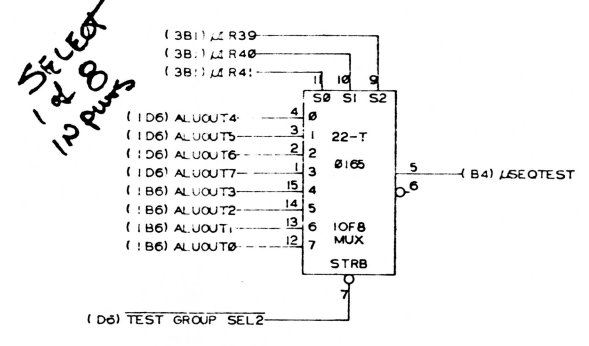
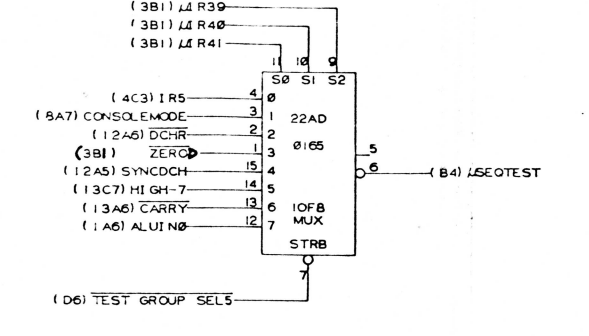
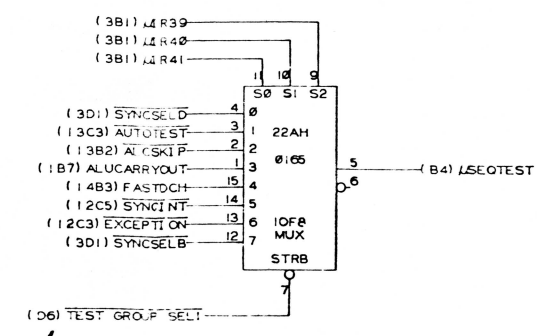
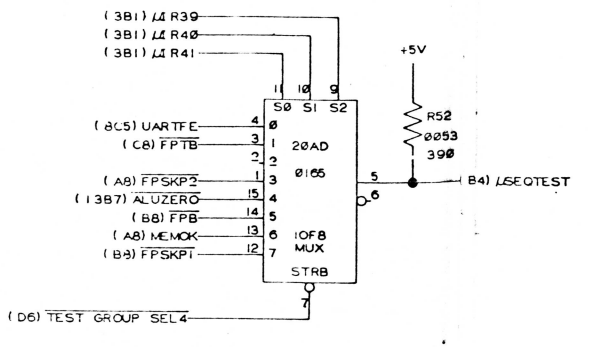
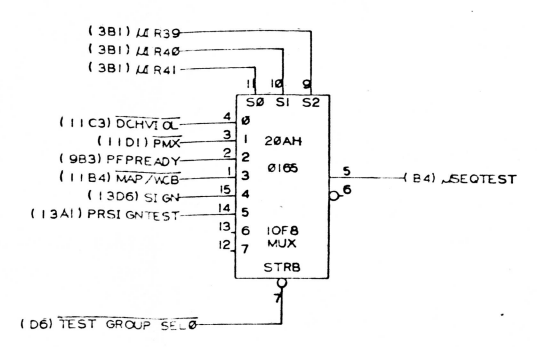
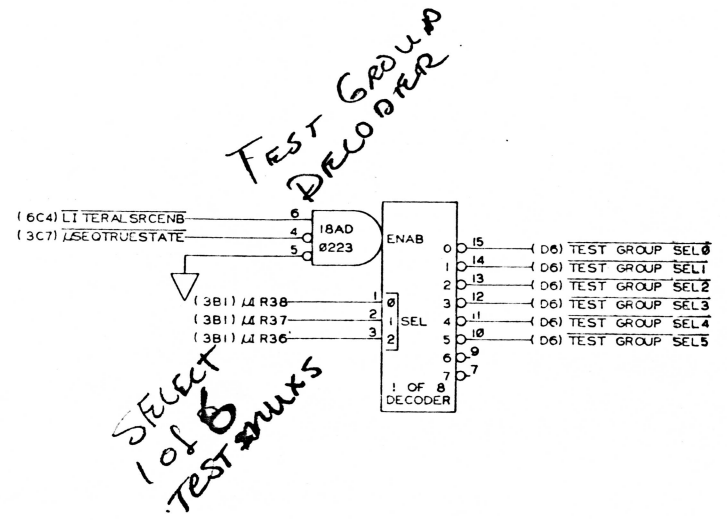
2

1

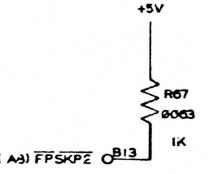
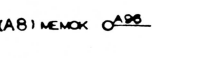
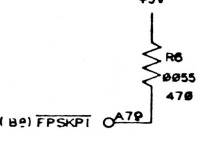
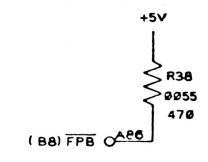
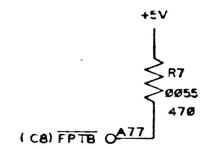
SHEET 4 of 5

THIS DRAWING AND SPECIFICATIONS HEREIN ARE THE PROPERTY OF DATA GENERAL CORPORATION AND SHALL NOT BE REPRODUCED OR LOANED OR USED IN WHOLE OR IN PART AS THE BASIS FOR MANUFACTURE OR SALE OF ITEMS WITHOUT WRITTEN PERMISSION.

REVISIONS				
REV	DESCRIPTION	DRFTG	APP BY	DATE



note (3,C-7)



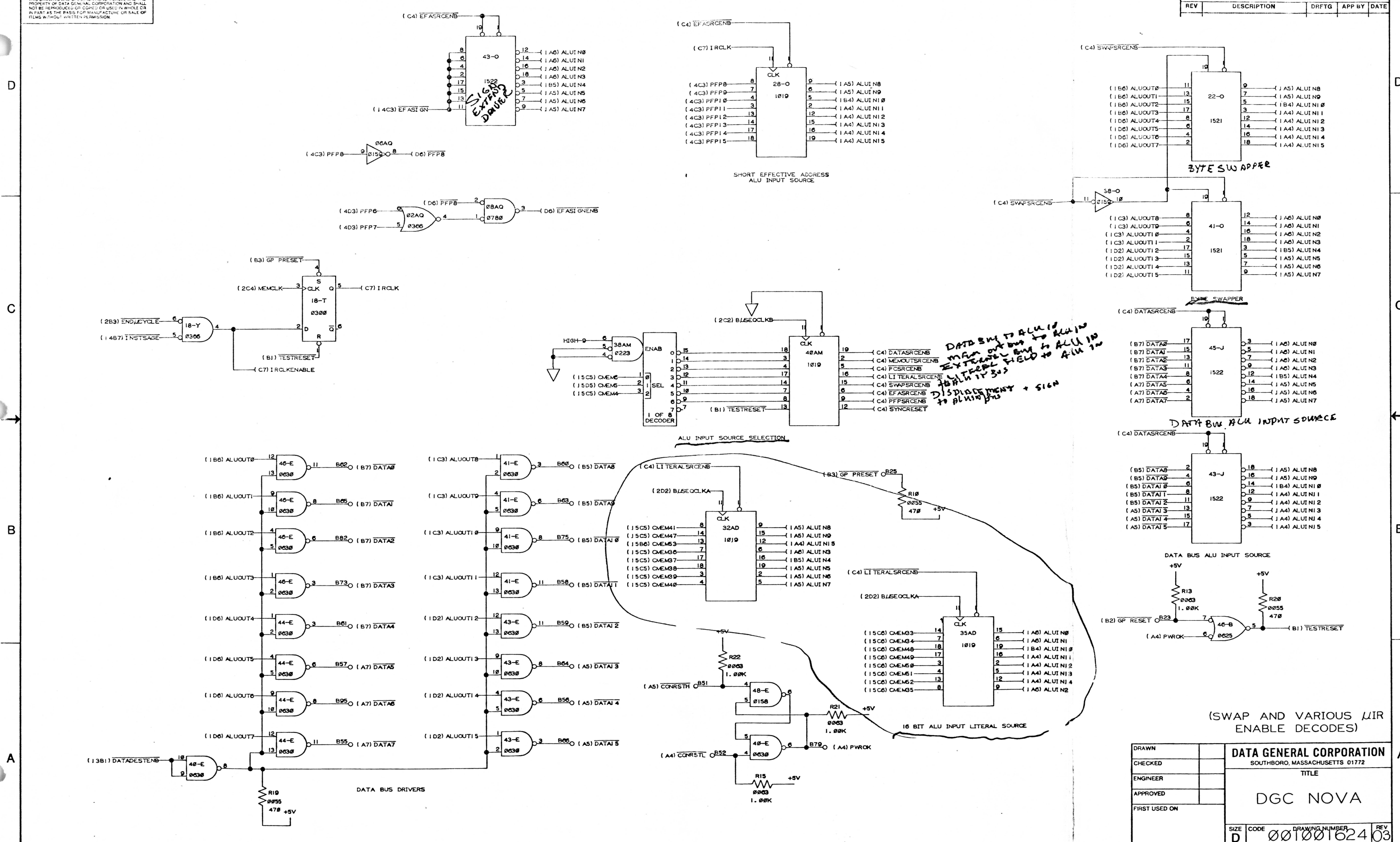
NOTE TEST SELECTED BY THE SIGNAL TEST GROUP SELS ARE NEGATIVE ASSERTED ALL OTHER TESTS ARE POSITIVE ASSERTED

(DGC TEST MUX AND TEST CONDITIONS)

DRAWN		DATA GENERAL CORPORATION	
CHECKED		SOUTHBORO, MASSACHUSETTS 01772	
ENGINEER		TITLE	
APPROVED		DGC NOVA	
FIRST USED ON		SIZE	CODE
		D	001001624
		REV	03

THIS DRAWING AND SPECIFICATIONS HEREIN ARE THE PROPERTY OF DATA GENERAL CORPORATION AND SHALL NOT BE REPRODUCED OR COPIED OR USED IN WHOLE OR IN PART AS THE BASIS FOR MANUFACTURE OR SALE OF ITEMS WITHOUT WRITTEN PERMISSION

REVISIONS				
REV	DESCRIPTION	DRFTG	APP BY	DATE

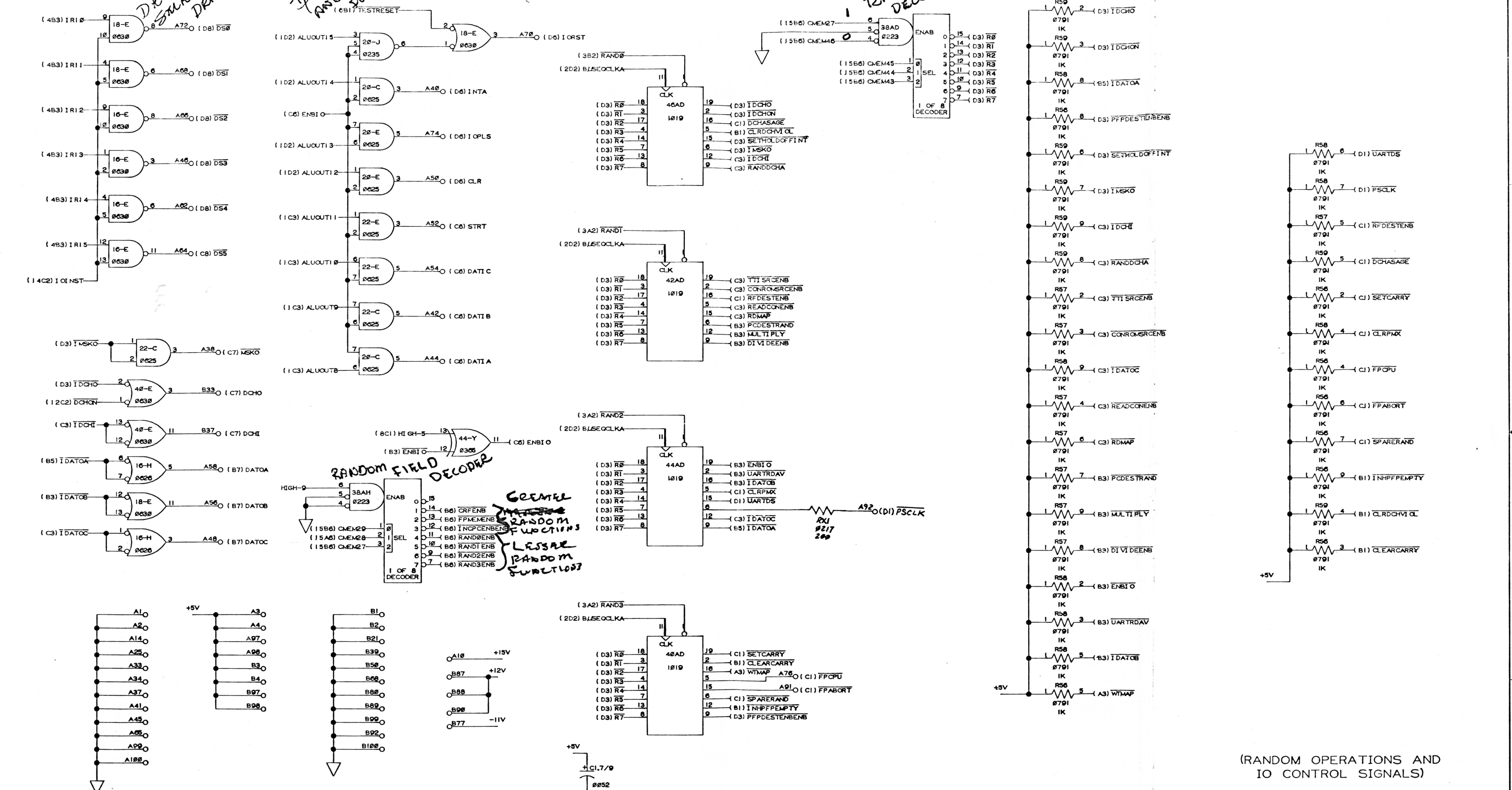


DATA SW to ALU is from external bus to ALU in 16 BIT ALU INPUT LITERAL SOURCE

(SWAP AND VARIOUS μ R ENABLE DECODES)

DRAWN		DATA GENERAL CORPORATION SOUTHBORO, MASSACHUSETTS 01772 TITLE DGC NOVA	
CHECKED			
ENGINEER			
APPROVED			
FIRST USED ON			
SIZE	D	DRAWING NUMBER	00100162403
		REV	03

THIS DRAWING AND SPECIFICATIONS HEREIN ARE THE PROPERTY OF DATA GENERAL CORPORATION AND SHALL NOT BE REPRODUCED OR COPIED OR USED IN WHOLE OR IN PART AS THE BASIS FOR MANUFACTURE OR SALE OF ITEMS WITHOUT WRITTEN PERMISSION.



REV		REVISIONS		
REV	DESCRIPTION	DRFTG	APP BY	DATE

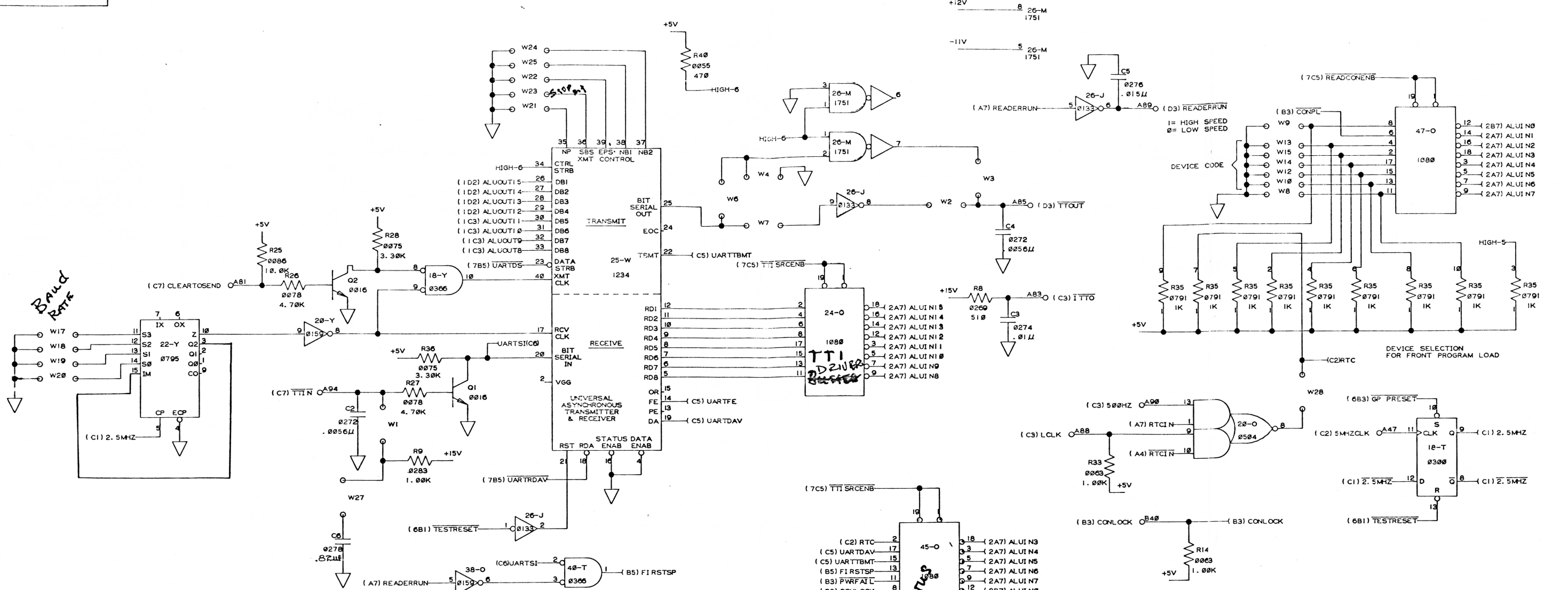
DRAWN		DATA GENERAL CORPORATION	
CHECKED		SOUTHBORO, MASSACHUSETTS 01772	
ENGINEER		TITLE	
APPROVED		DGC NOVA	
FIRST USED ON			
SIZE	CODE	DRAWING NUMBER	REV
D		001001624	03

(RANDOM OPERATIONS AND IO CONTROL SIGNALS)

CRF = CLEAR TO REQUEST FETCH

WARNING AND SPECIFICATIONS HEREIN ARE THE PROPERTY OF DATA GENERAL CORPORATION AND SHALL NOT BE REPRODUCED OR COPIED OR USED IN WHOLE OR IN PART AS THE BASIS FOR MANUFACTURE OR SALE OF ITEMS WITHOUT WRITTEN PERMISSION.

REVISIONS				
REV	DESCRIPTION	DRFTG	APP BY	DATE



Baud Rate

STATUS GATE

RESIDUAL FILE REGISTERS

CHARACTER LENGTH JUMPERS

LENGTH OF CHARACTER	W25	W24
5 BITS	IN	IN
6 BITS	OUT	IN
7 BITS	IN	OUT
8 BITS	OUT	OUT

PARITY JUMPERS

TYPE OF PARITY	W22	W21
EVEN	OUT	IN
ODD	IN	IN
NONE	OUT	OUT

STOP BIT JUMPERS

NUMBER OF STOP BITS	W23
1	IN
2	OUT

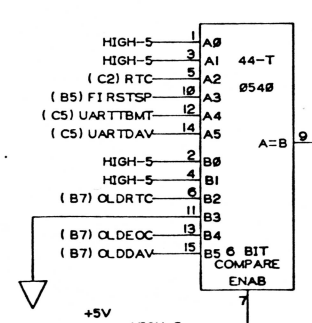
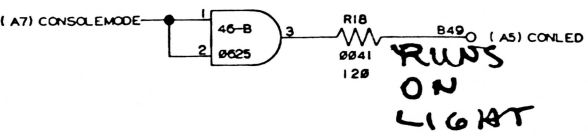
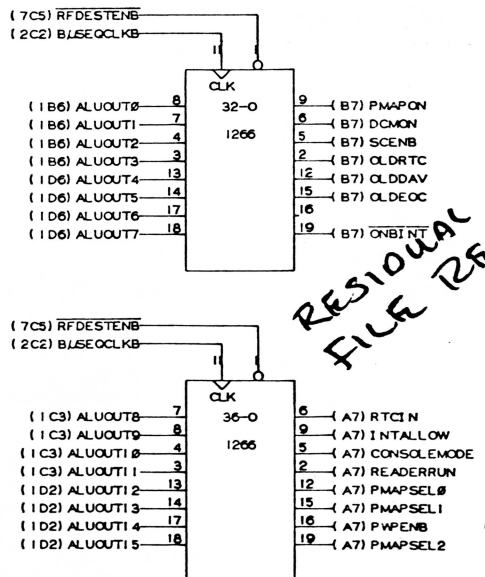
BAUD RATE JUMPERS

BAUD RATE	W17	W18	W19	W20	W27
50	IN	IN	OUT	IN	OUT
75	IN	OUT	OUT	OUT	OUT
110	OUT	OUT	OUT	OUT	IN
134.5	IN	OUT	IN	OUT	OUT
150	OUT	OUT	OUT	IN	OUT
200	IN	OUT	IN	OUT	OUT
300	OUT	OUT	IN	OUT	OUT
600	IN	OUT	IN	OUT	OUT
1200	OUT	IN	OUT	OUT	OUT
1800	OUT	IN	OUT	IN	OUT
2400	OUT	OUT	IN	IN	OUT
4800	OUT	IN	IN	OUT	OUT
9600	OUT	IN	IN	IN	OUT
19200	IN	IN	IN	OUT	OUT

TYPE OF TRANSMISSION JUMPERS

TYPE OF TRANSMISSION	INSERT JUMPERS
20 MA CURRENT LOOP	W4, W7, W2, W1
EIA RS232-C	W6, W3

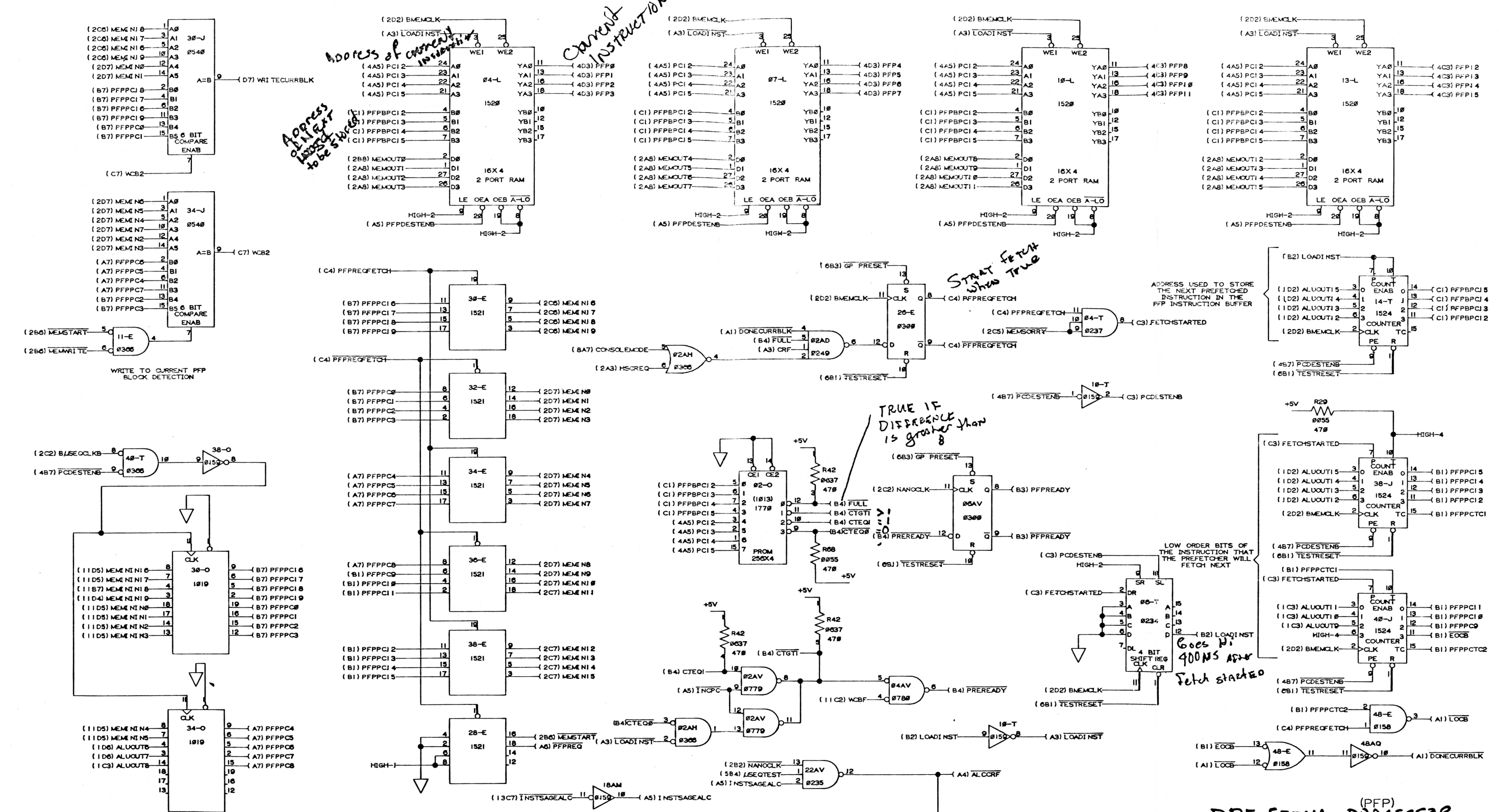
(TTO, TTI, RTC, NMI RANDOM FLOPS)



DRAWN		DATA GENERAL CORPORATION SOUTHBORO, MASSACHUSETTS 01772 TITLE DGC NOVA SIZE CODE 00100162403 DRAWING NUMBER REV
CHECKED		
ENGINEER		
APPROVED		
FIRST USED ON		

THIS DRAWING AND SPECIFICATIONS HEREIN ARE THE PROPERTY OF DATA GENERAL CORPORATION AND SHALL NOT BE REPRODUCED OR COPIED OR USED IN WHOLE OR IN PART AS THE BASIS FOR MANUFACTURE OR SALE OF ITEMS WITHOUT WRITTEN PERMISSION.

REVISIONS				
REV	DESCRIPTION	DFTG	APP BY	DATE



Address of current instruction to be stored

Current Instruction

Strat Fetch When True

TRUE IF DIFFERENCE IS greater than 8

Goes true for any ALC inst.

An ALC inst. will generate 2 additional skips

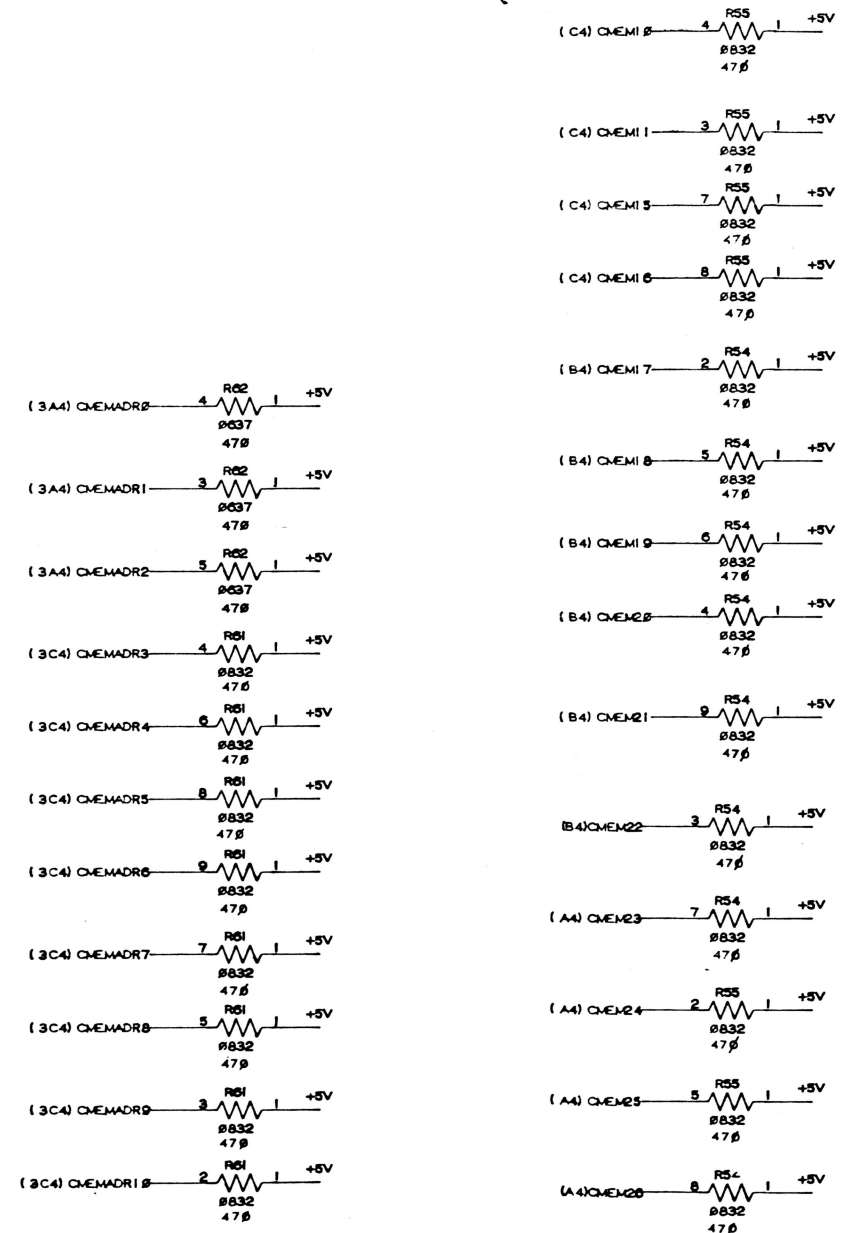
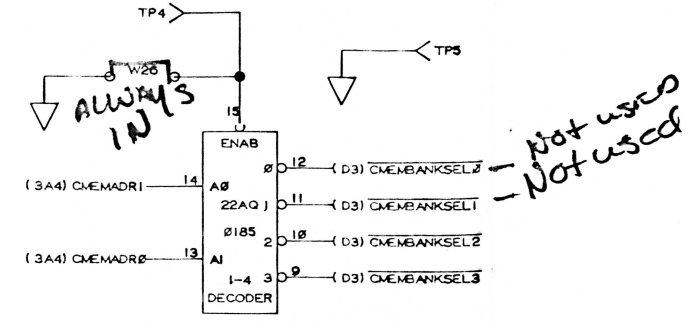
Clear to Request Fetch

PFP PREFETCH PROCESSOR

DRAWN		DATA GENERAL CORPORATION	
CHECKED		SOUTHBORO MASSACHUSETTS 01772	
ENGINEER		TITLE	
APPROVED		DGC NOVA	
FIRST USED ON		SIZE	CODE
		D	001001624
		DRAWING NUMBER	REV
			03

THIS DRAWING AND SPECIFICATIONS HEREIN ARE THE PROPERTY OF DATA GENERAL CORPORATION AND SHALL NOT BE REPRODUCED OR COPIED IN WHOLE OR IN PART AS THE BASIS FOR MANUFACTURE OF SALE OF ITEMS WITHOUT WRITTEN PERMISSION.

REVISIONS				
REV	DESCRIPTION	DRFTG	APP BY	DATE

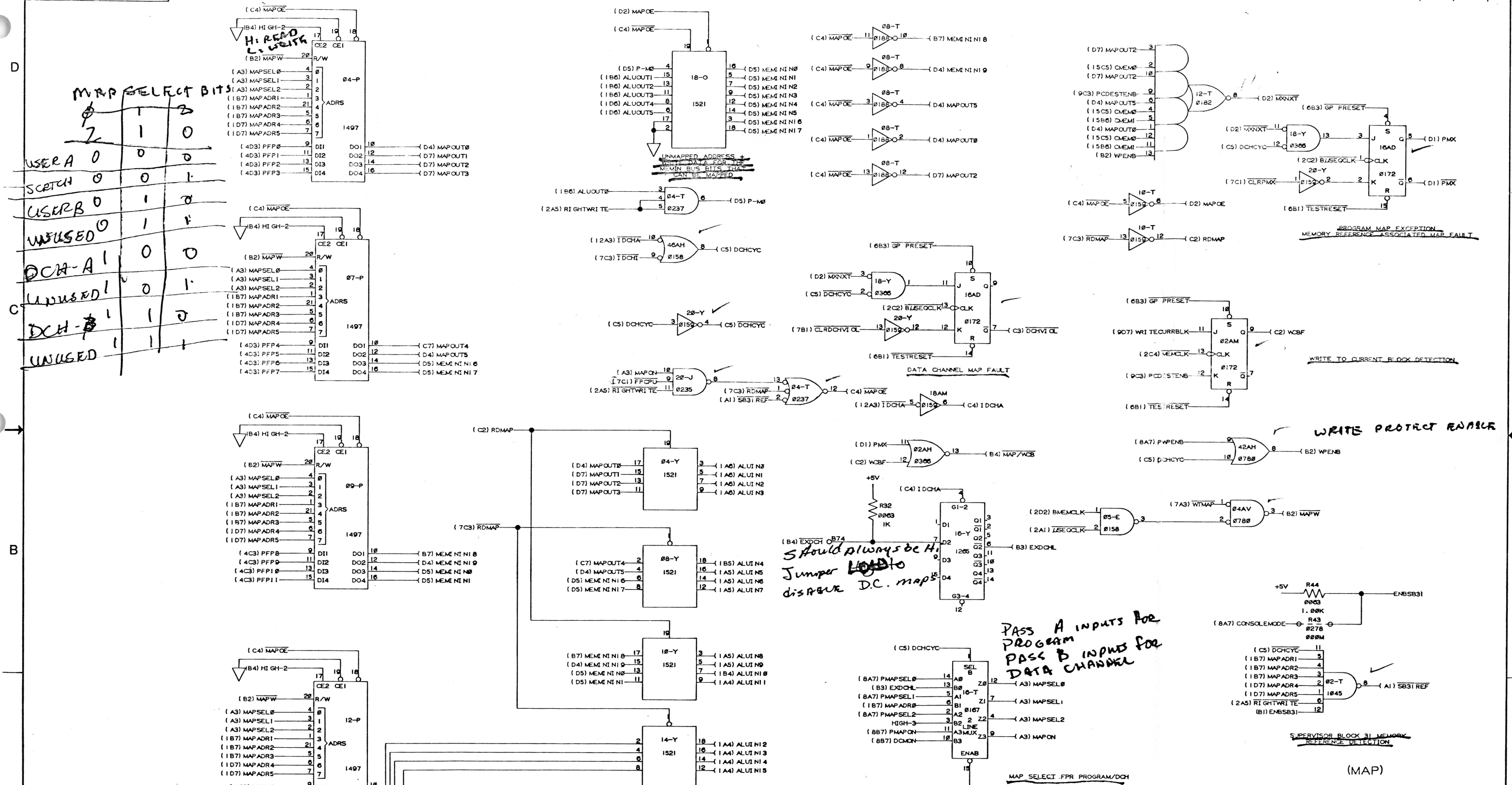


(CONTROL ROMARRAY)

DRAWN		DATA GENERAL CORPORATION SOUTHBORO, MASSACHUSETTS 01772 TITLE DGC NOVA	
CHECKED			
ENGINEER			
APPROVED			
FIRST USED ON			
SIZE	CODE	DRAWING NUMBER	REV
D		001001624	03

THIS DRAWING AND SPECIFICATIONS HEREIN ARE THE PROPERTY OF DATA GENERAL CORPORATION AND SHALL NOT BE REPRODUCED OR COPIED OR USED IN WHOLE OR IN PART AS THE BASIS FOR MANUFACTURE OR SALE OF ITEMS WITHOUT WRITTEN PERMISSION.

REVISIONS			
REV	DESCRIPTION	DRFTG	APP BY DATE



MAP SELECT BITS:

	2	1	0
USER A	0	0	0
SCRATCH	0	0	1
USER B	0	1	0
UNUSED	0	1	1
DCA-A	1	0	0
UNUSED	1	0	1
DCH-B	1	1	0
UNUSED	1	1	1

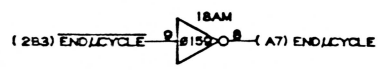
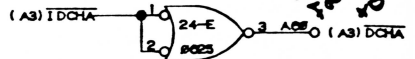
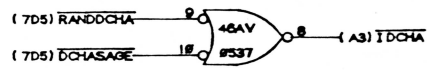
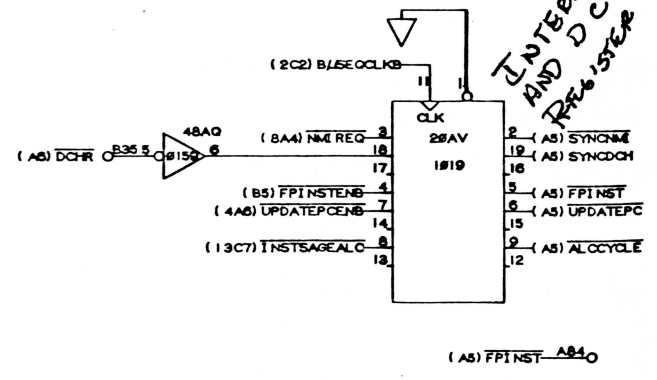
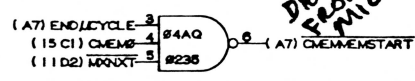
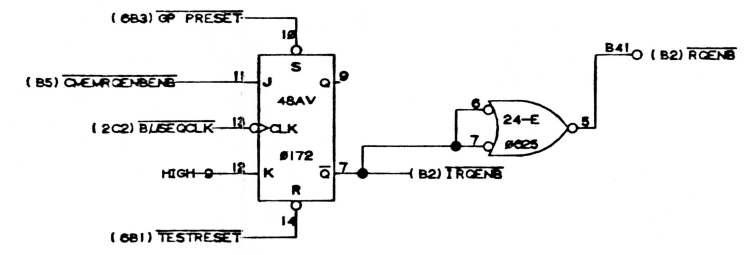
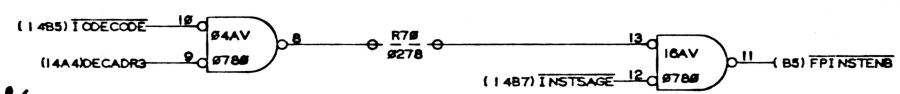
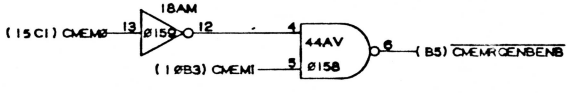
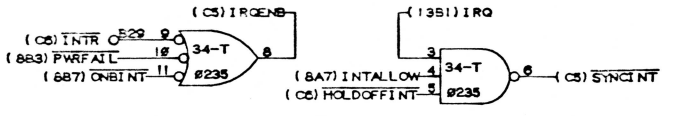
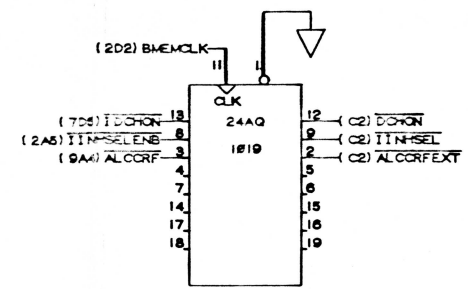
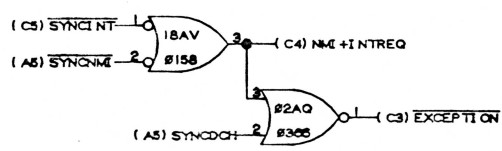
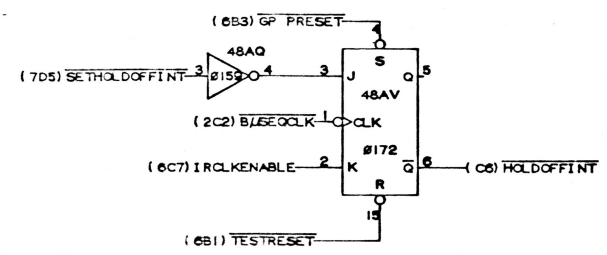
(B4) EXDCH B74 should always be Hi. Jumper L04D to disable D.C. maps

*PASS A INPUTS FOR PROGRAM
PASS B INPUTS FOR DATA CHANNEL*

DRAWN		DATA GENERAL CORPORATION SOUTHBORO, MASSACHUSETTS 01772 TITLE DGC NOVA	
CHECKED			
ENGINEER			
APPROVED			
FIRST USED ON			
SIZE	CODE	DRAWING NUMBER	REV
D		001001624	03

THIS DRAWING AND SPECIFICATIONS HEREIN ARE THE PROPERTY OF DATA GENERAL CORPORATION AND SHALL NOT BE REPRODUCED OR COPIED OR USED IN WHOLE OR IN PART AS THE BASIS FOR MANUFACTURE OR SALE OF ITEMS WITHOUT WRITTEN PERMISSION.

REVISIONS				
REV	DESCRIPTION	DRFTG	APP BY	DATE



DERIVED FROM MIL-STD-883C

INTERLUPT AND DCH RATE 1576E

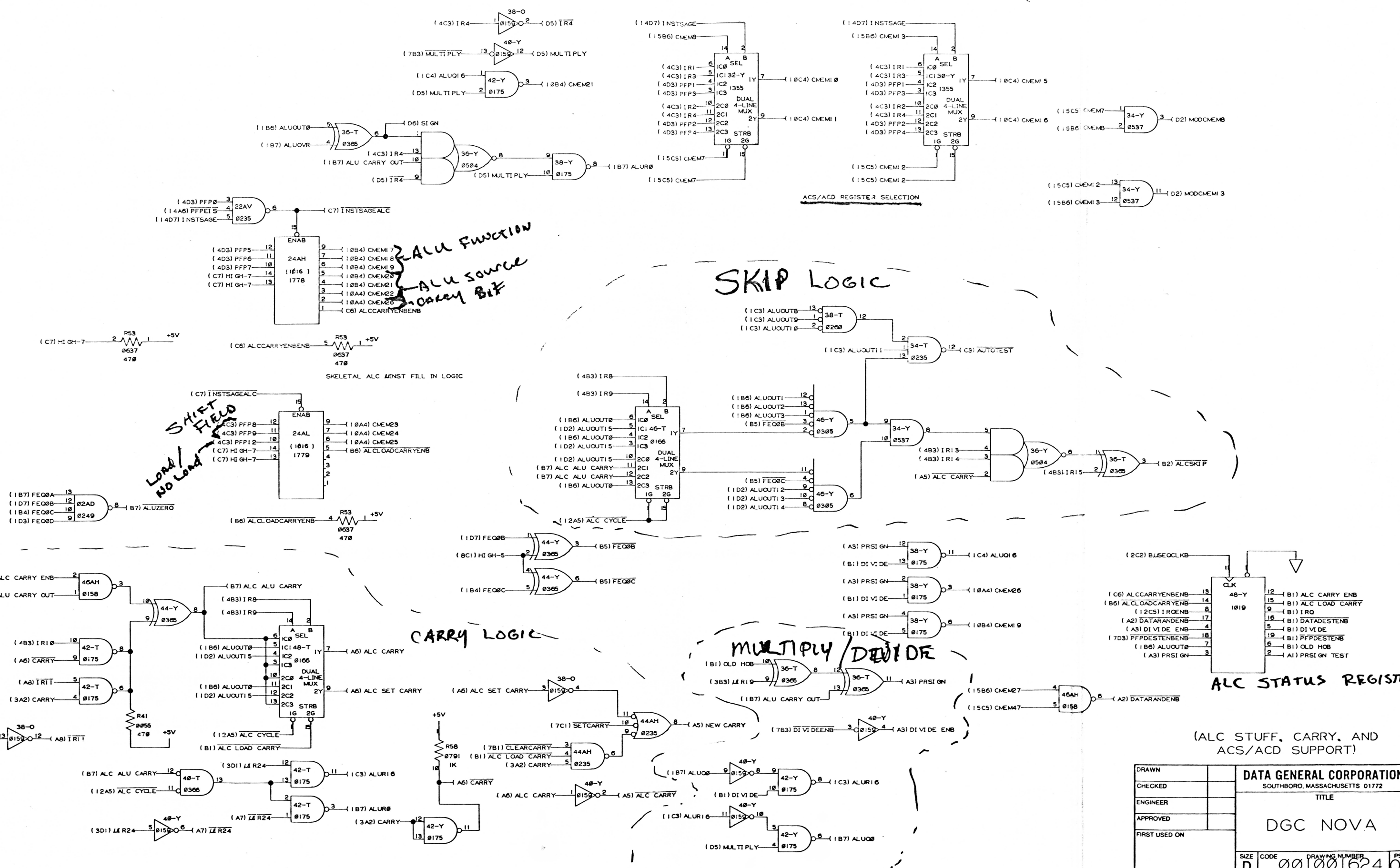
GATE ADDRESS FOR CONTROL TO MEMORY

(MEMORY CONTROL, DATA CHANNEL LOGIC, INTERRUPT LOGIC)

DRAWN		DATA GENERAL CORPORATION	
CHECKED		SOUTHBORO, MASSACHUSETTS 01772	
ENGINEER		TITLE	
APPROVED		DGC NOVA	
FIRST USED ON		SIZE	CODE
		D	00100162403

THIS DRAWING AND SPECIFICATIONS HEREIN ARE THE PROPERTY OF DATA GENERAL CORPORATION AND SHALL NOT BE REPRODUCED OR COPIED OR USED IN WHOLE OR IN PART AS THE BASIS FOR MANUFACTURE OR SALE OF ITEMS WITHOUT WRITTEN PERMISSION

REVISIONS				
REV	DESCRIPTION	DRAFTG	APP BY	DATE



DRAWN		DATA GENERAL CORPORATION SOUTHBORO, MASSACHUSETTS 01772 TITLE DGC NOVA SIZE CODE DRAWING NUMBER REV D 001001624 03
CHECKED		
ENGINEER		
APPROVED		
FIRST USED ON		

8

7

6

5

4

3

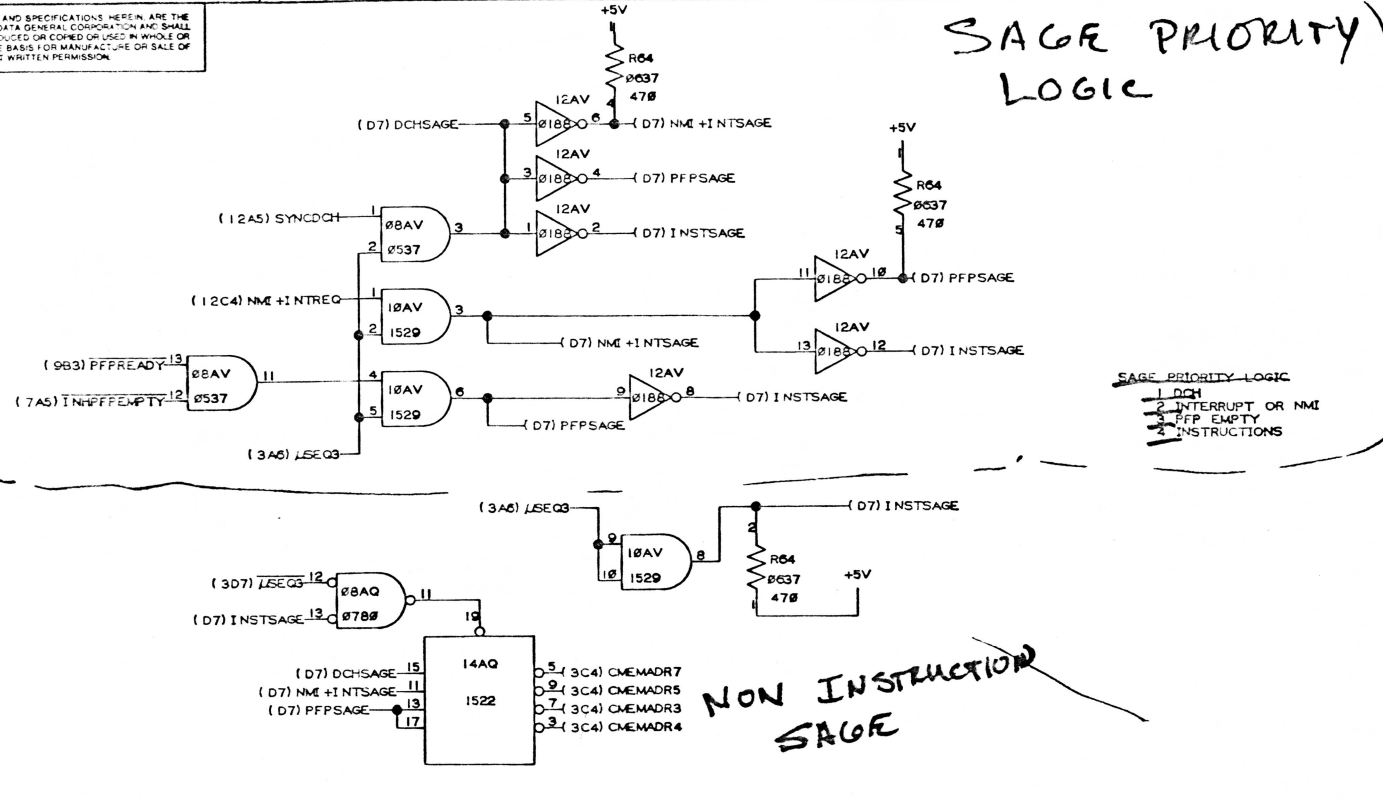
2

1

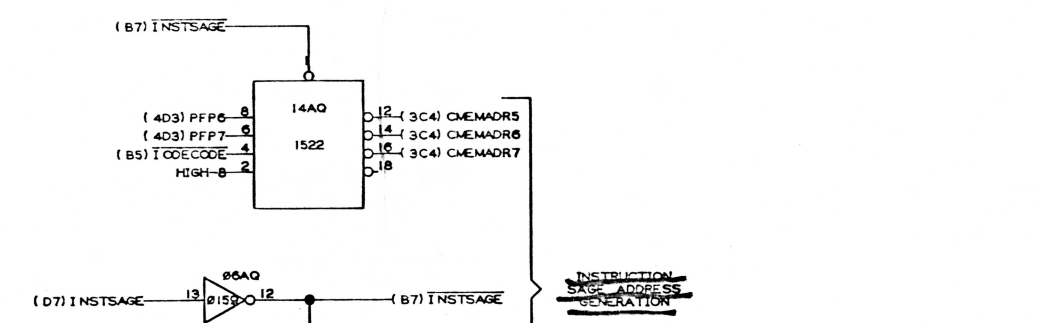
THIS DRAWING AND SPECIFICATIONS HEREIN ARE THE PROPERTY OF DATA GENERAL CORPORATION AND SHALL NOT BE REPRODUCED OR COPIED OR USED IN WHOLE OR IN PART AS THE BASIS FOR MANUFACTURE OR SALE OF ITEMS WITHOUT WRITTEN PERMISSION

REVISIONS				
REV	DESCRIPTION	DRFTG	APP BY	DATE

SAGE PRIORITY LOGIC



NON INSTRUCTION SAGE

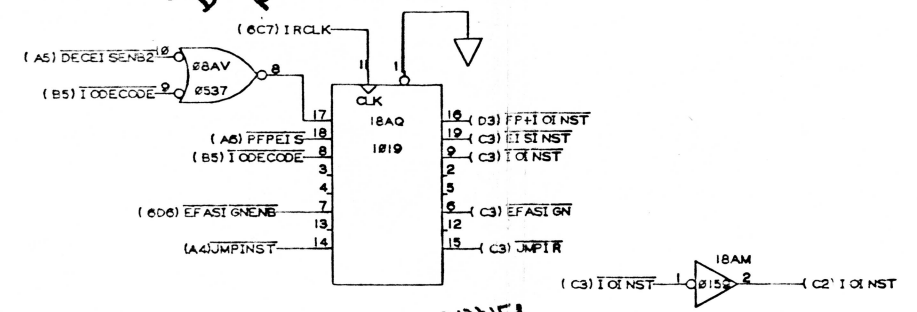


IN FRU manual

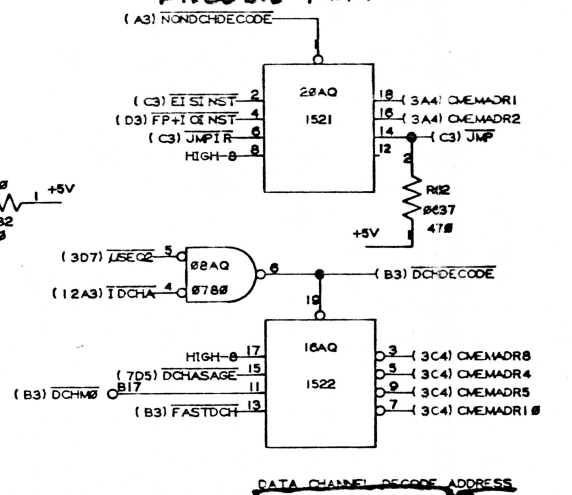
TABLE	
005012607	- 1754
005012705	- 1788
005012787	- 1750
005012706	- 1769

4X/4X:
4X
45/
45/

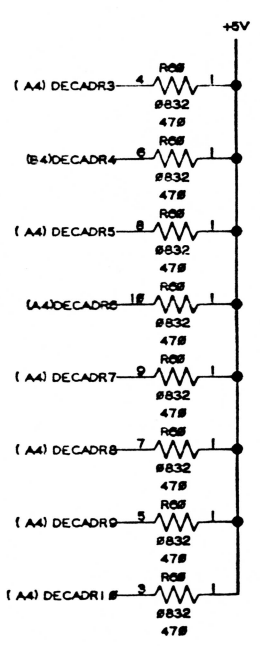
Instruction Decode Register



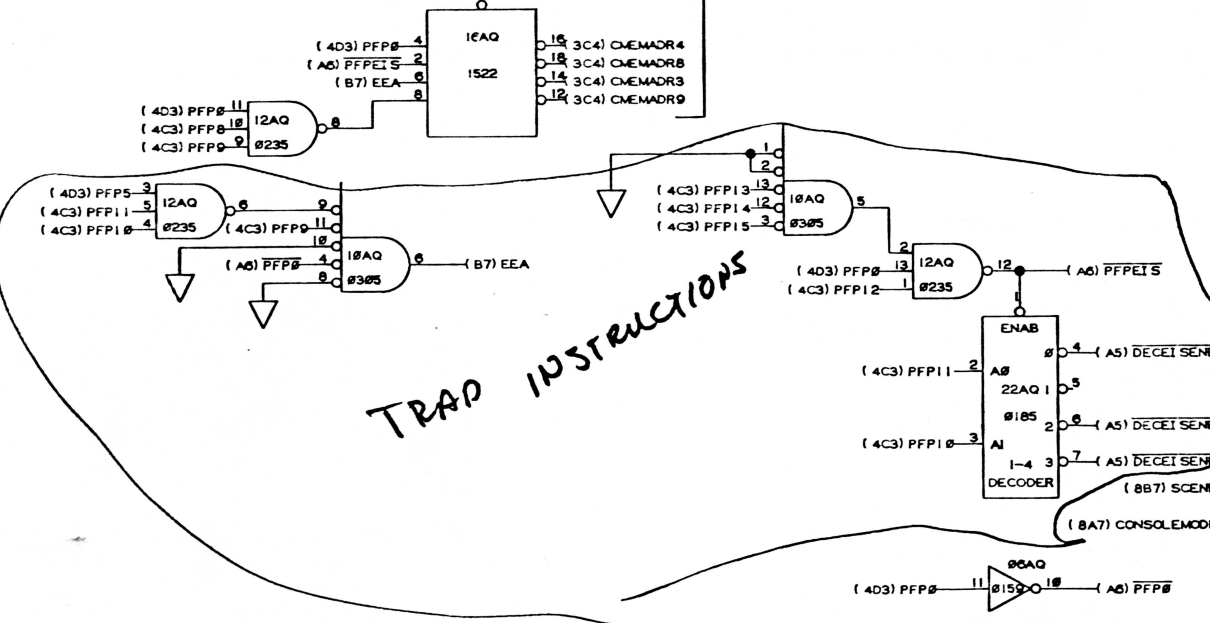
NON DATA CHANNEL PREFIX ADDRESS



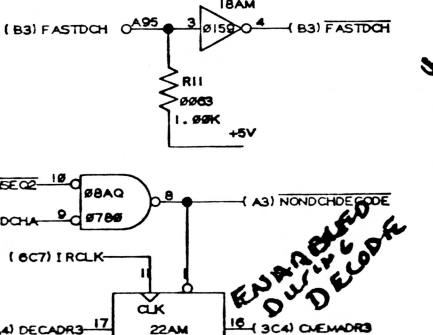
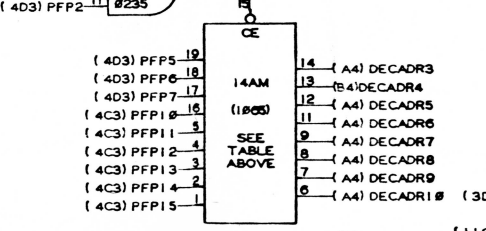
DATA CHANNEL PREFIX ADDRESS



TRAP INSTRUCTIONS



I/O DECODE FROM



DRAWN	
CHECKED	
ENGINEER	
APPROVED	
FIRST USED ON	

DATA GENERAL CORPORATION
SOUTHBORO, MASSACHUSETTS 01772

TITLE
DGC NOVA

SIZE	CODE	DRAWING NUMBER	REV
D		001001624	03

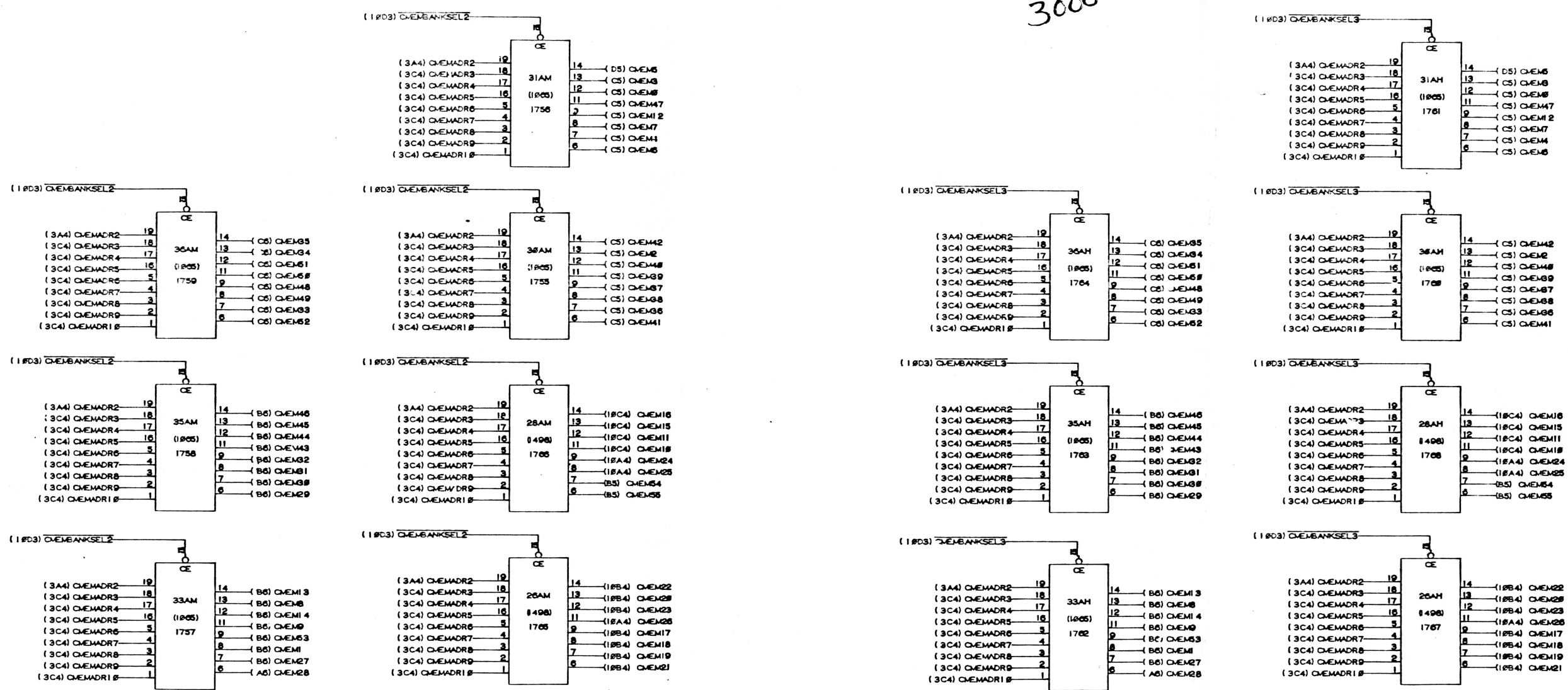
1 SHEET 14 of 15

THIS DRAWING AND SPECIFICATIONS HEREIN ARE THE PROPERTY OF DATA GENERAL CORPORATION AND SHALL NOT BE REPRODUCED OR COPIED OR USED IN WHOLE OR IN PART AS THE BASIS FOR MANUFACTURE OR SALE OF ITEMS WITHOUT WRITTEN PERMISSION.

REVISIONS				
REV	DESCRIPTION	DRFTG	APP BY	DATE

2777
↑
2000

3777
↑
3000



CONTROL MEMORY ADDRESSES 2000 TO 2777

CONTROL MEMORY ADDRESSES 3000 TO 3777



(CONTROL ROMARRAY)

DRAWN		DATA GENERAL CORPORATION SOUTHBORO, MASSACHUSETTS 01772 TITLE DGC NOVA			
CHECKED					
ENGINEER					
APPROVED					
FIRST USED ON					
SIZE	D	CODE	00100162403	REV	03