

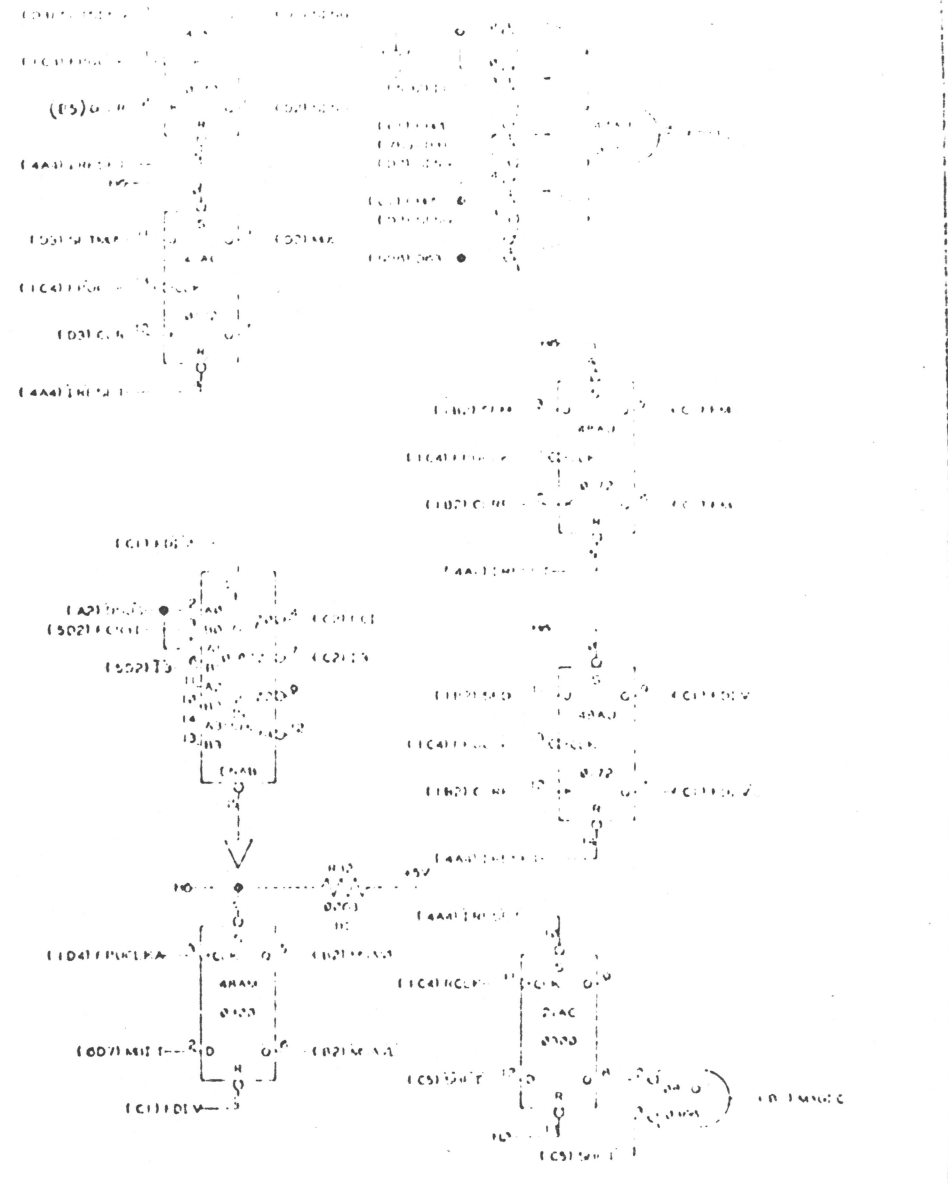
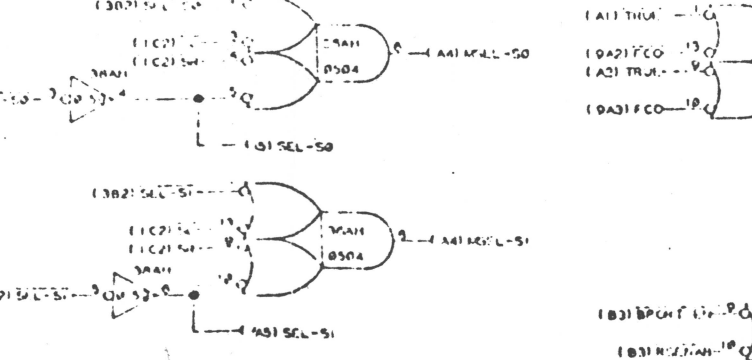
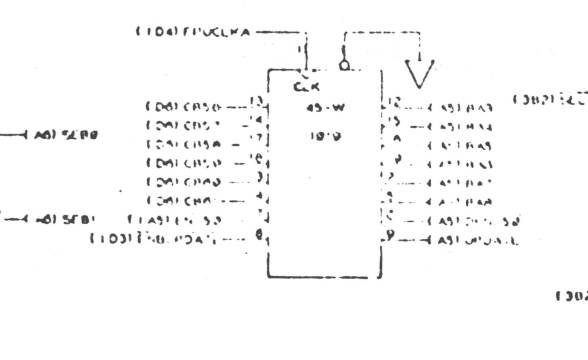
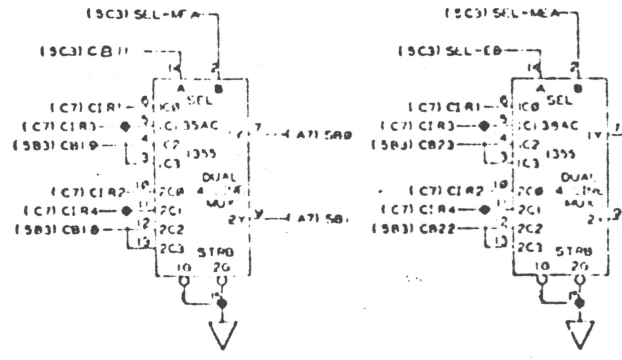
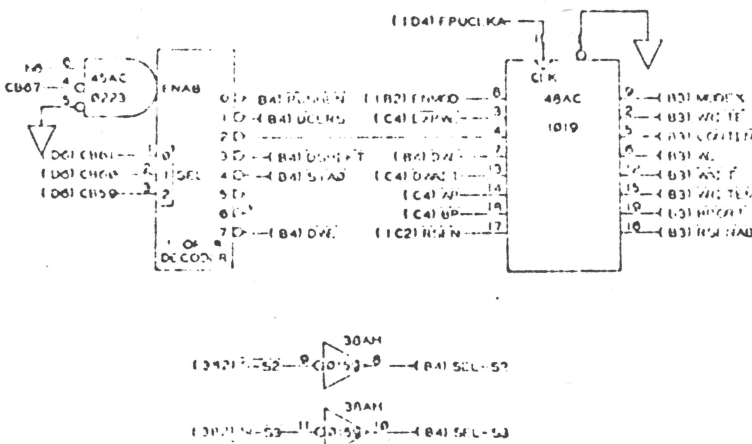
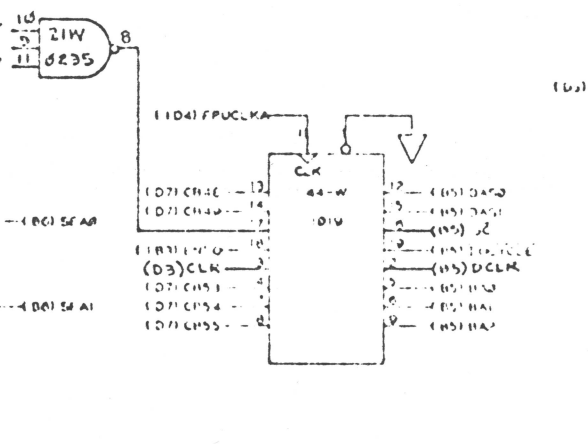
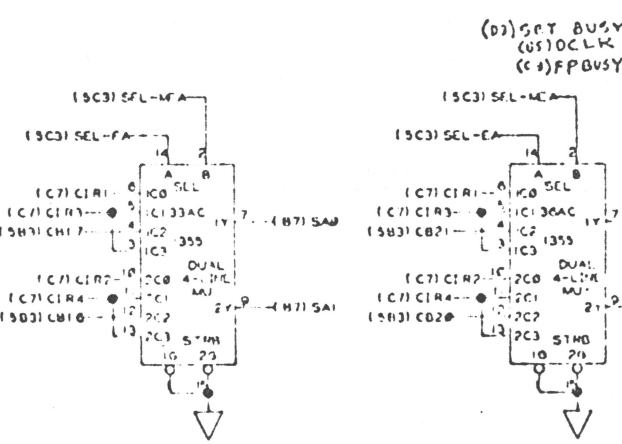
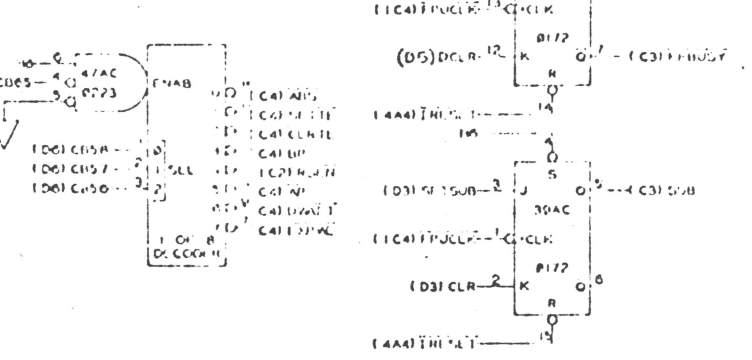
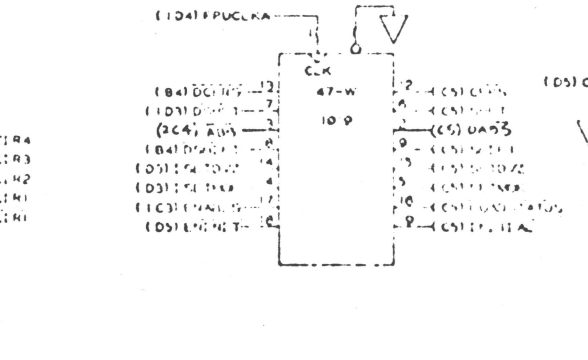
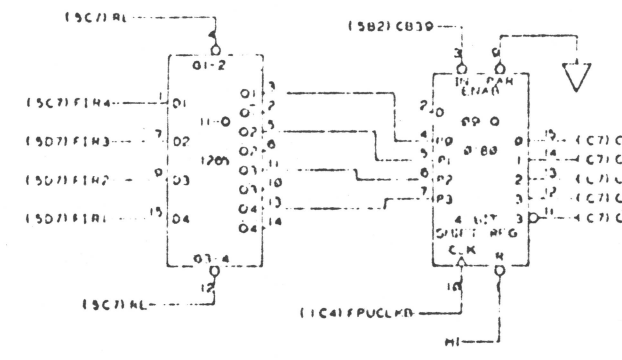
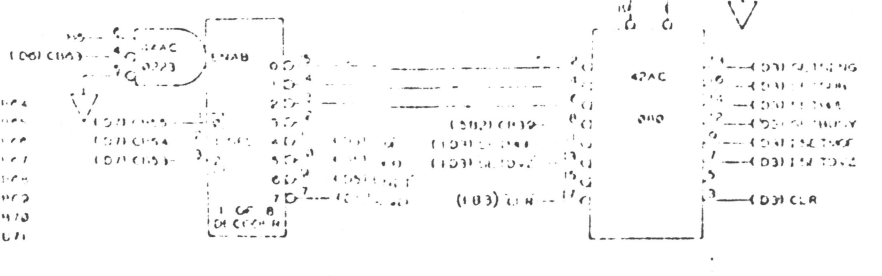
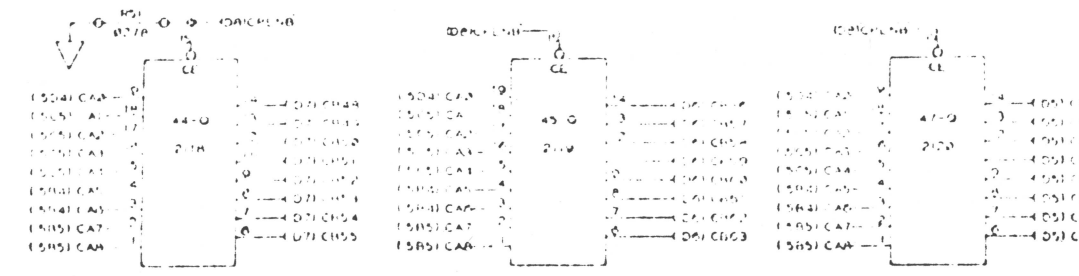
Signal Name	Pin	Signal Name	Pin
AS1 ENAB	1	AS1 ENAB	1
AS1 ENAB	2	AS1 ENAB	2
AS1 ENAB	3	AS1 ENAB	3
AS1 ENAB	4	AS1 ENAB	4
AS1 ENAB	5	AS1 ENAB	5
AS1 ENAB	6	AS1 ENAB	6
AS1 ENAB	7	AS1 ENAB	7
AS1 ENAB	8	AS1 ENAB	8
AS1 ENAB	9	AS1 ENAB	9
AS1 ENAB	10	AS1 ENAB	10
AS1 ENAB	11	AS1 ENAB	11
AS1 ENAB	12	AS1 ENAB	12
AS1 ENAB	13	AS1 ENAB	13
AS1 ENAB	14	AS1 ENAB	14
AS1 ENAB	15	AS1 ENAB	15

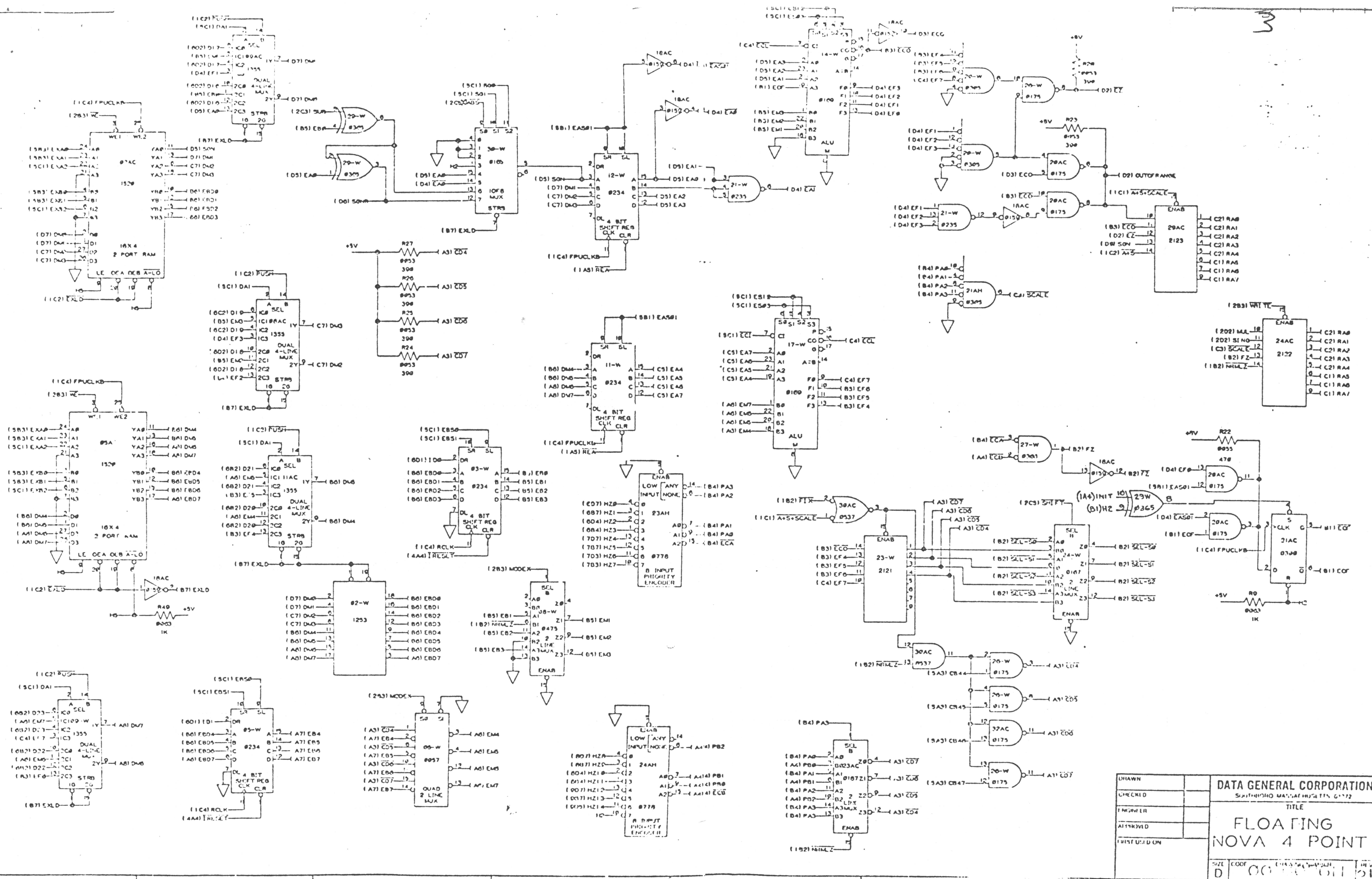
DATA GATES

Gate	Pin	Signal
0007	15	W
0007	14	V
0007	13	U
0007	12	T
0007	11	S
0007	10	R
0007	9	Q
0007	8	P
0007	7	O
0007	6	N
0007	5	M
0007	4	L
0007	3	K
0007	2	J
0007	1	I
0007	15	H
0007	14	G
0007	13	F
0007	12	E
0007	11	D
0007	10	C
0007	9	B
0007	8	A
0007	7	0
0007	6	1
0007	5	2
0007	4	3
0007	3	4
0007	2	5
0007	1	6
0007	15	7
0007	14	8
0007	13	9
0007	12	10
0007	11	11
0007	10	12
0007	9	13
0007	8	14
0007	7	15
0007	6	16
0007	5	17
0007	4	18
0007	3	19
0007	2	20
0007	1	21
0007	15	22
0007	14	23
0007	13	24
0007	12	25
0007	11	26
0007	10	27
0007	9	28
0007	8	29
0007	7	30
0007	6	31
0007	5	32
0007	4	33
0007	3	34
0007	2	35
0007	1	36
0007	15	37
0007	14	38
0007	13	39
0007	12	40
0007	11	41
0007	10	42
0007	9	43
0007	8	44
0007	7	45
0007	6	46
0007	5	47
0007	4	48
0007	3	49
0007	2	50
0007	1	51
0007	15	52
0007	14	53
0007	13	54
0007	12	55
0007	11	56
0007	10	57
0007	9	58
0007	8	59
0007	7	60
0007	6	61
0007	5	62
0007	4	63
0007	3	64
0007	2	65
0007	1	66
0007	15	67
0007	14	68
0007	13	69
0007	12	70
0007	11	71
0007	10	72
0007	9	73
0007	8	74
0007	7	75
0007	6	76
0007	5	77
0007	4	78
0007	3	79
0007	2	80
0007	1	81
0007	15	82
0007	14	83
0007	13	84
0007	12	85
0007	11	86
0007	10	87
0007	9	88
0007	8	89
0007	7	90
0007	6	91
0007	5	92
0007	4	93
0007	3	94
0007	2	95
0007	1	96
0007	15	97
0007	14	98
0007	13	99
0007	12	100
0007	11	101
0007	10	102
0007	9	103
0007	8	104
0007	7	105
0007	6	106
0007	5	107
0007	4	108
0007	3	109
0007	2	110
0007	1	111

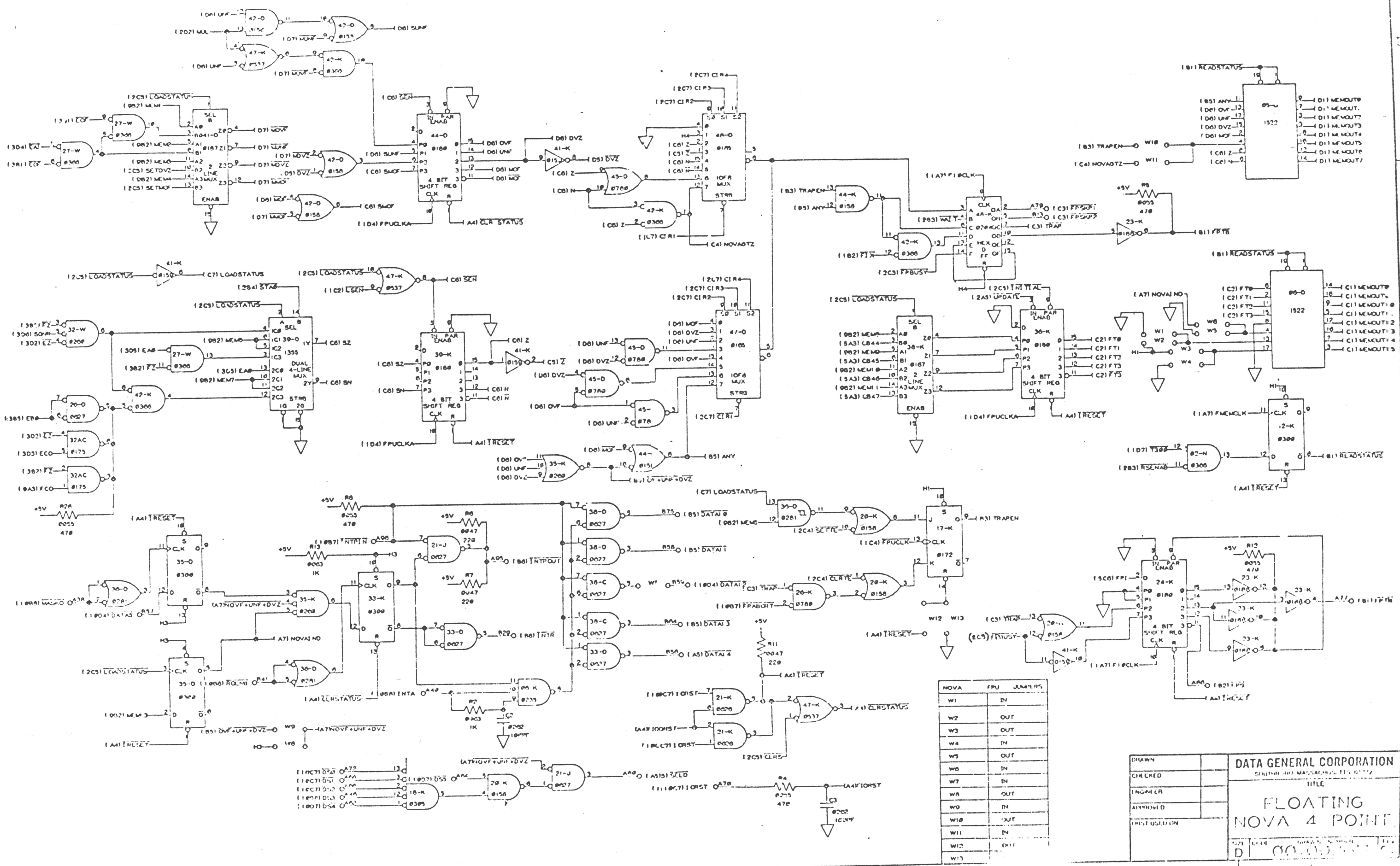
005-12373-T

ARTWORK NO. 246	DATE	DATA GENERAL CORPORATION
ARTWORK'S BUSINESS	CHANGED	500 UNIVERSITY AVENUE
ALL SYSTEMS	DATE	ROCKFORD, ILLINOIS
01 00 01	DATE	FILE
	DATE	FLOATING
	DATE	NOVA 4 POINT
	DATE	001002611 01





DRAWN		<b>DATA GENERAL CORPORATION</b> Sixteenth Massachusetts Street TITLE <b>FLOATING NOVA 4 POINT</b> SIZE COOP D 00 00 00 00 00 00
CHECKED		
ENGINEER		
APPROVED		
TESTED		



NOVA	FPU	JAN 74	MS
W1	IN		
W2	OUT		
W3	OUT		
W4	IN		
W5	OUT		
W6	IN		
W7	IN		
W8	OUT		
W9	IN		
W10	OUT		
W11	IN		
W12	OUT		
W13	OUT		

DRAWN		<b>DATA GENERAL CORPORATION</b> 1600 KENNESAW AVENUE BOSTON, MASSACHUSETTS 02129 TITLE <b>FLOATING NOVA 4 POINT</b> SIZE 11x17 DRAWN BY DATE DI 00 00 00
CHECKED		
ENGINEER		
APPROVED		
PRINTED ON		

C

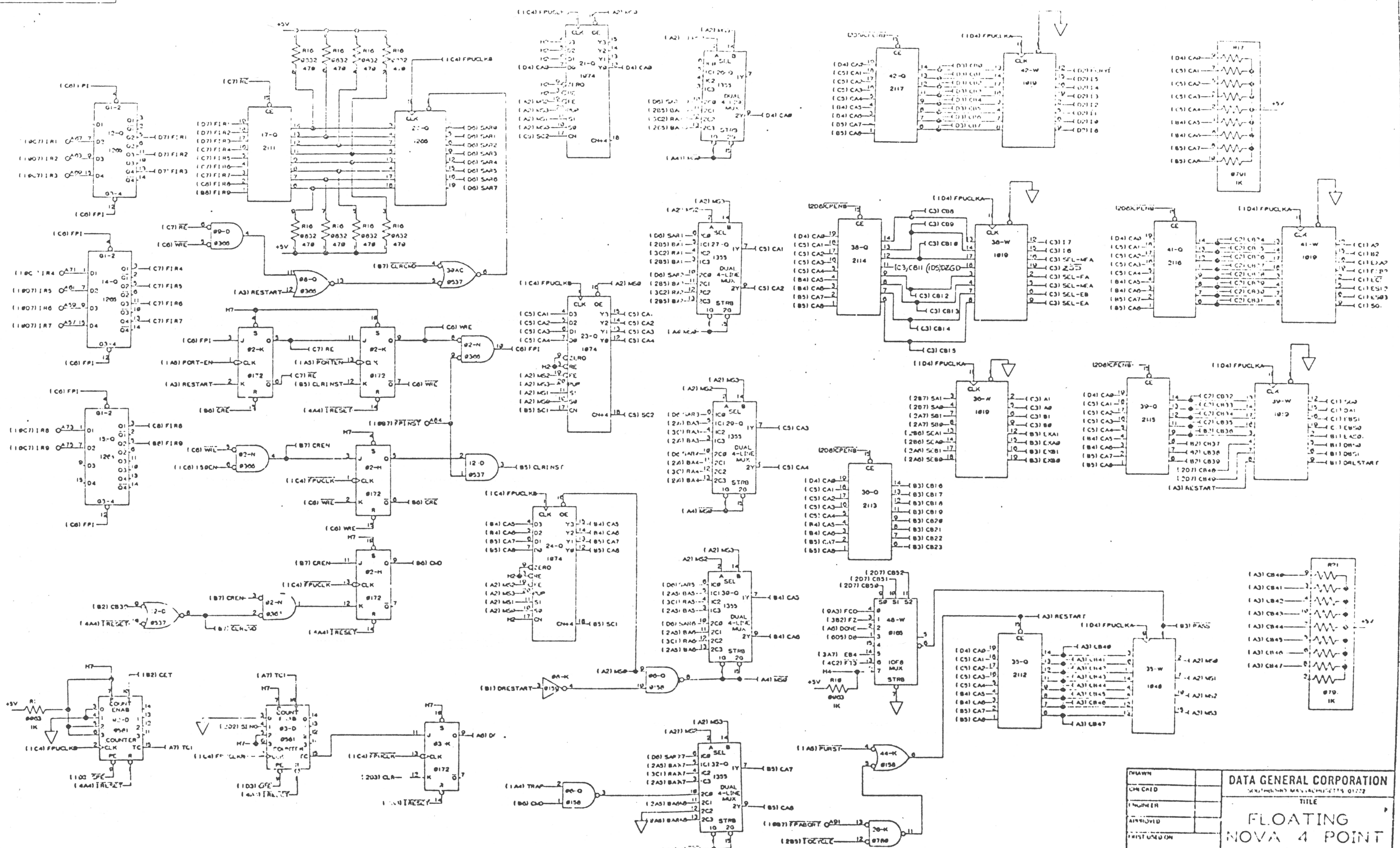
B

A

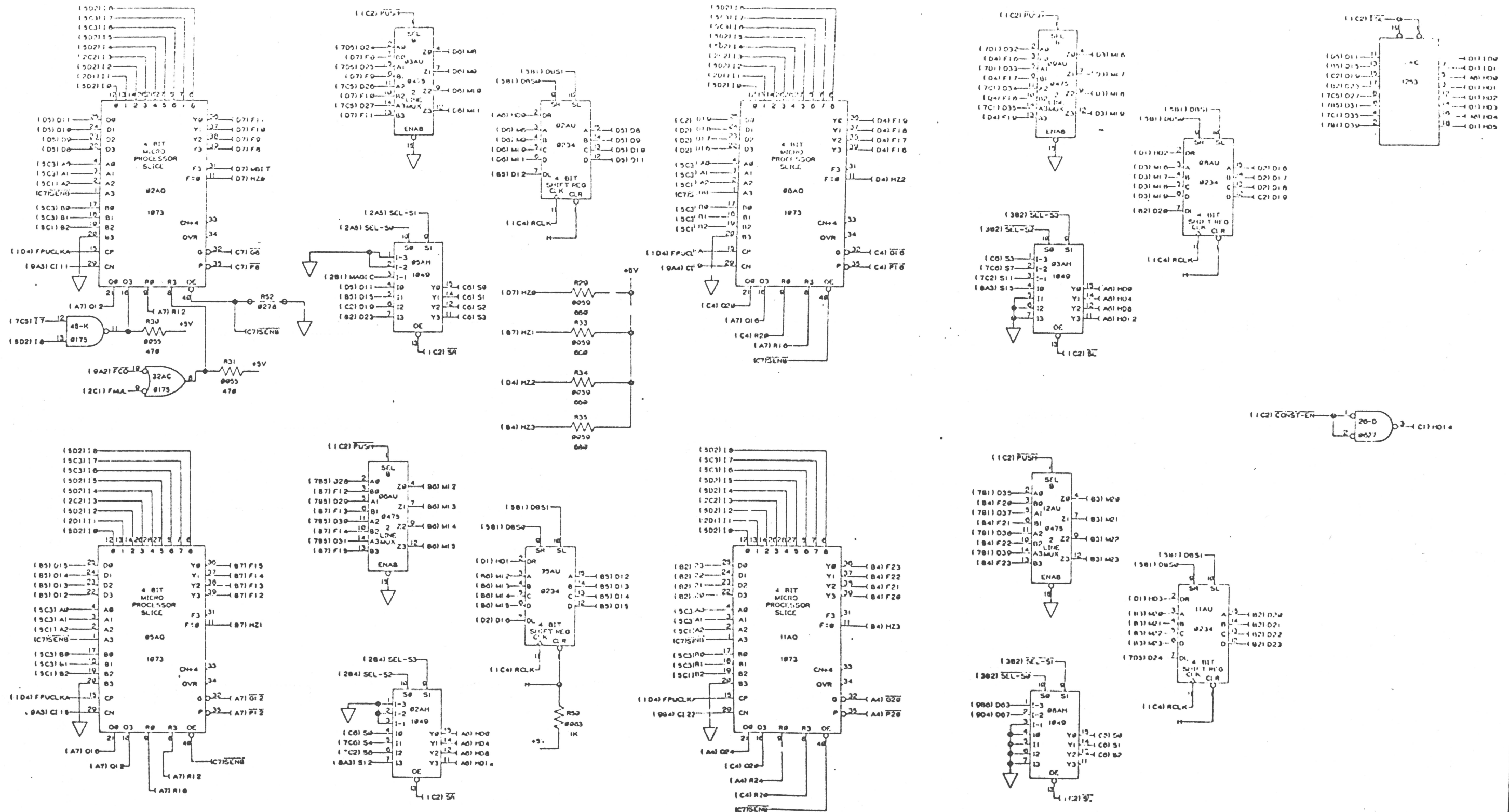


5

5



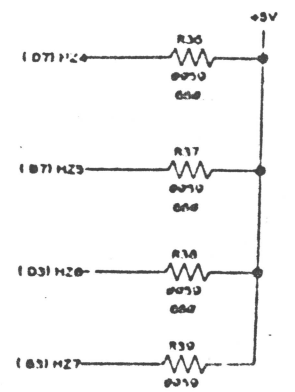
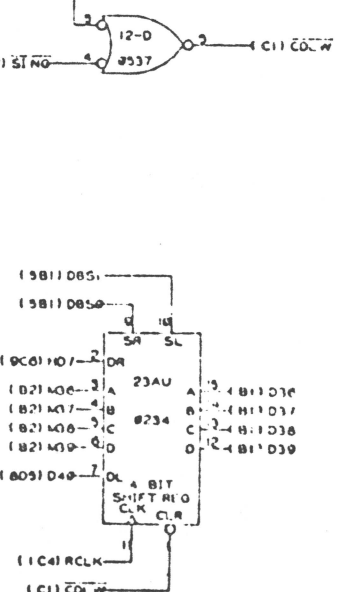
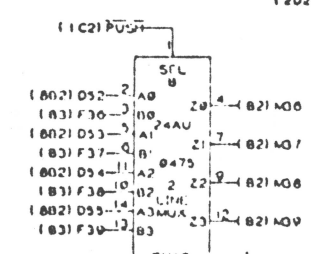
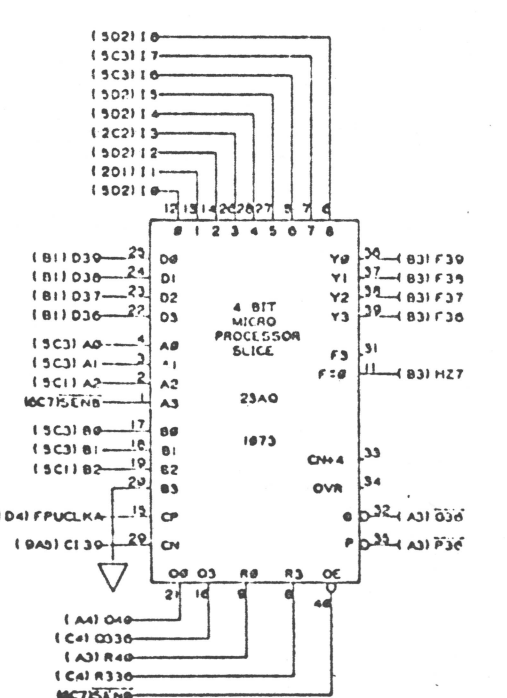
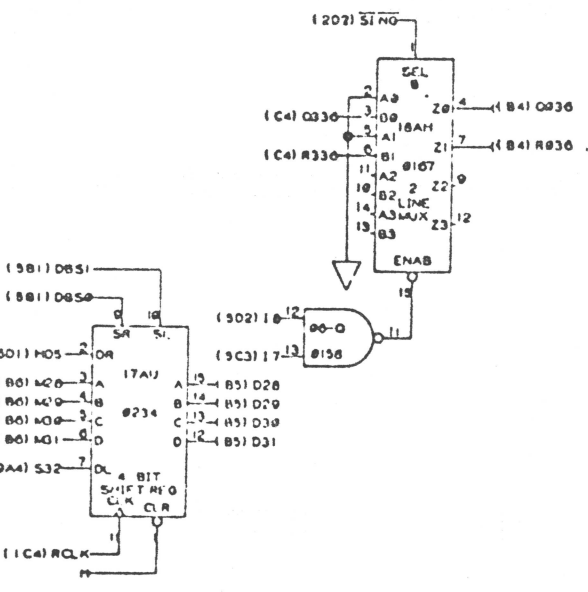
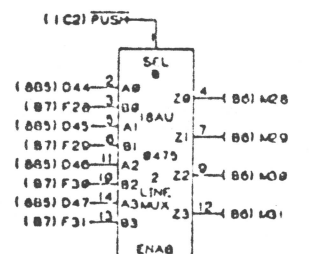
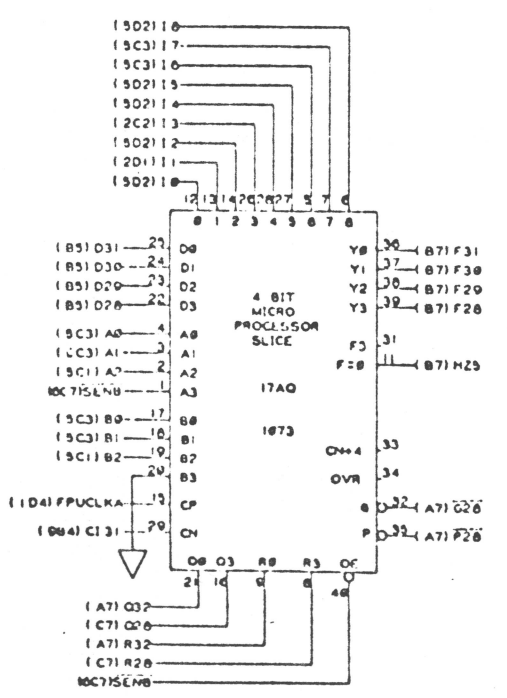
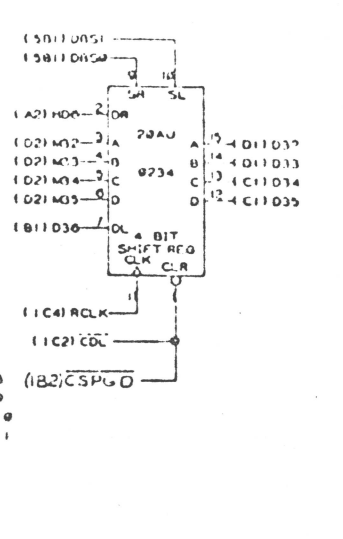
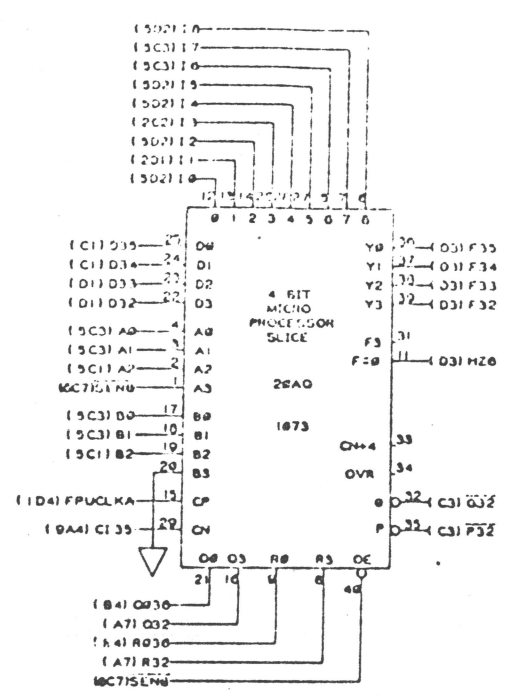
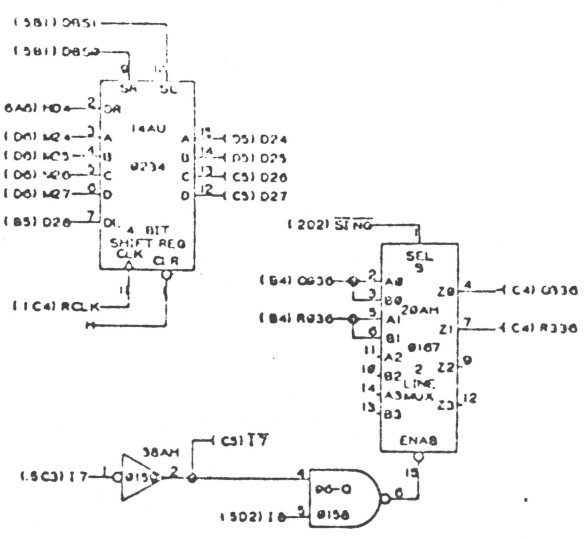
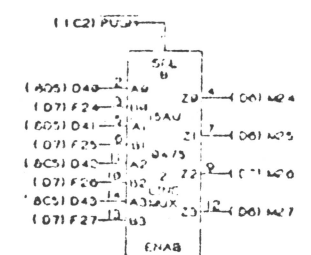
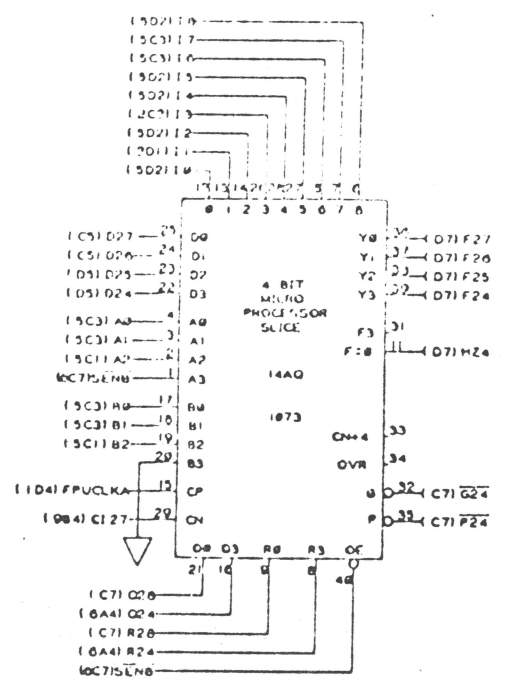
DESIGNED		<b>DATA GENERAL CORPORATION</b> 1600 KENNESAW AVENUE BOSTON, MASSACHUSETTS 02122
CHEKED		
APPROVED		
TESTED		
DATE		
TITLE		<b>FLOATING NOVA 4 POINT</b>
DRAWN		



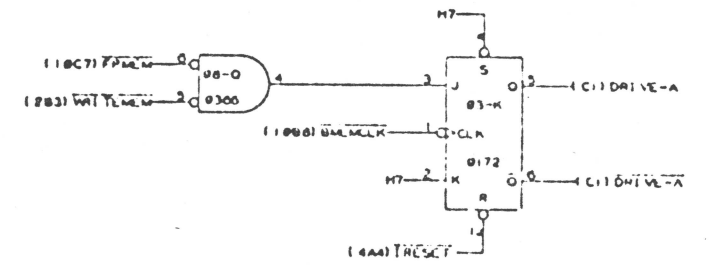
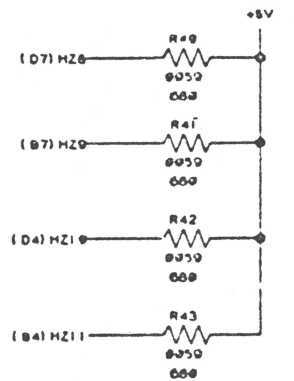
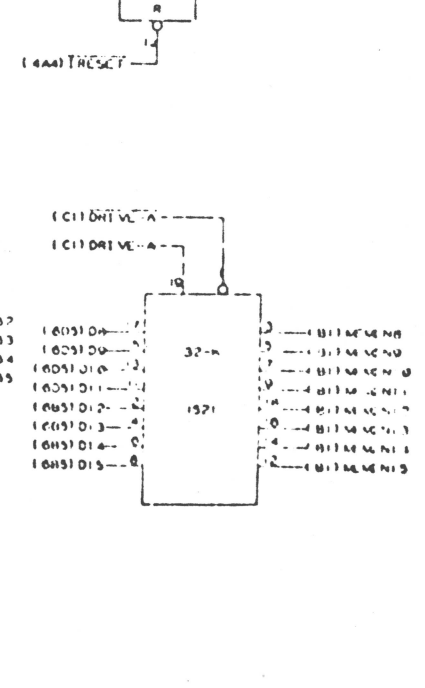
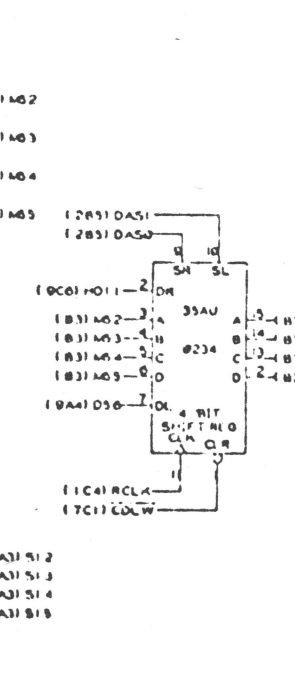
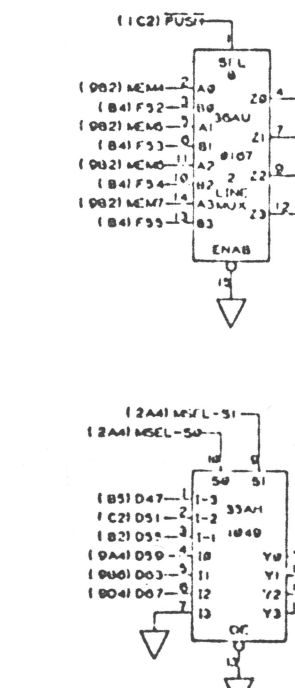
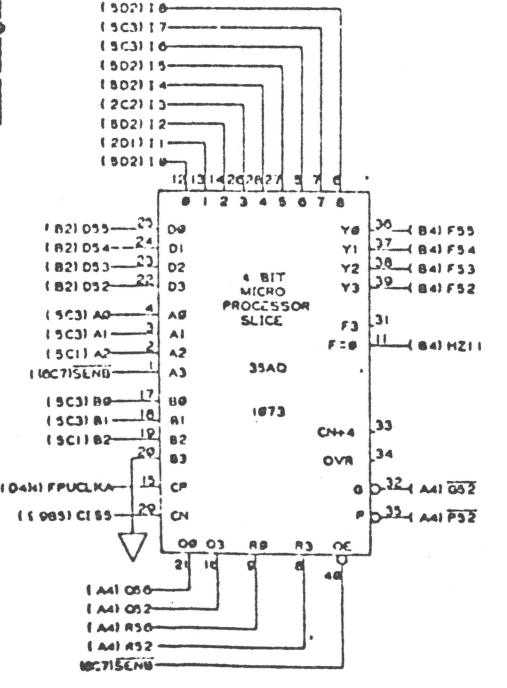
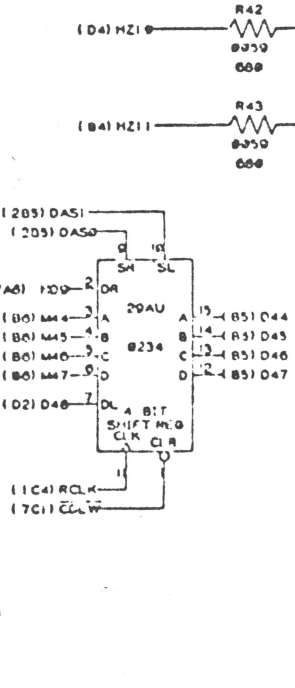
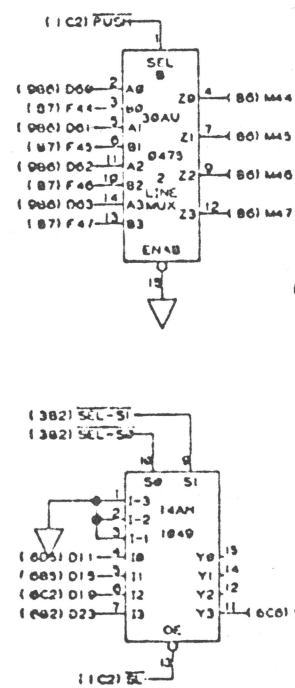
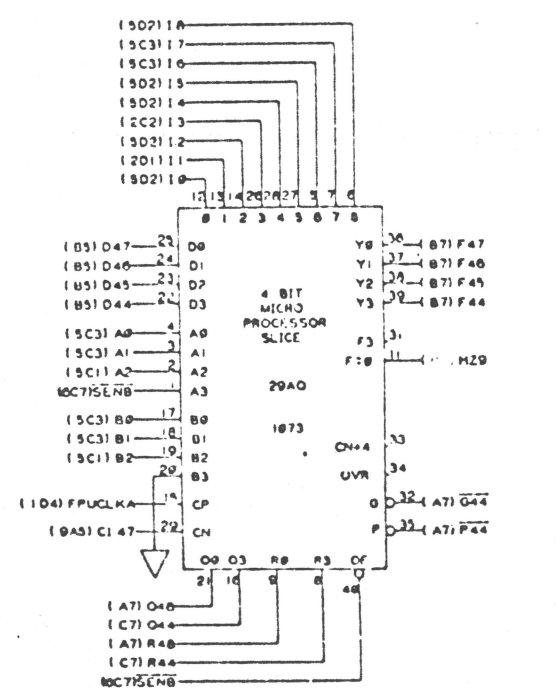
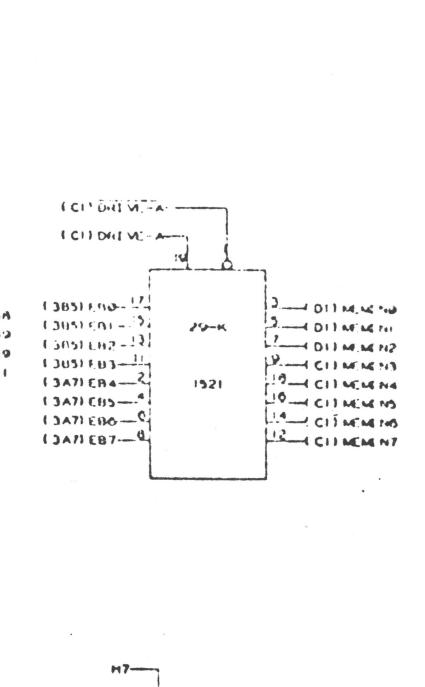
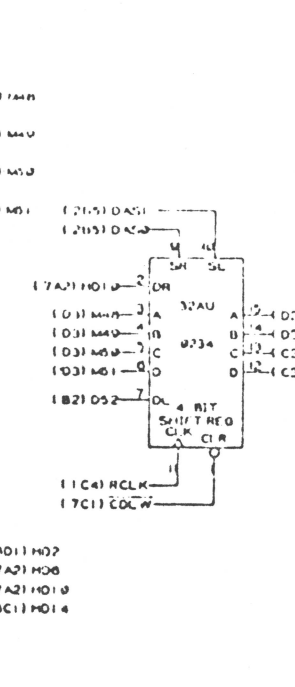
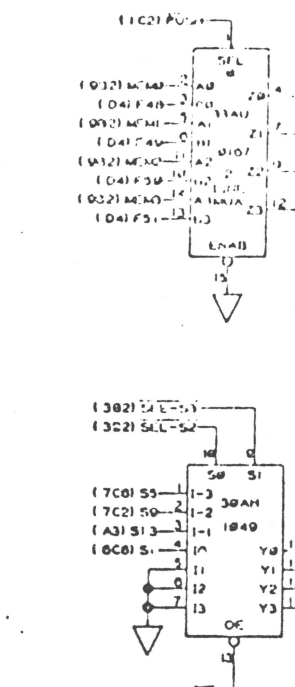
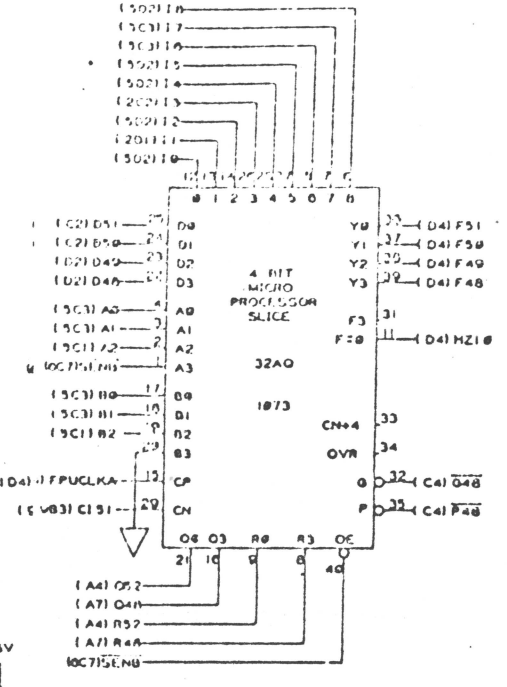
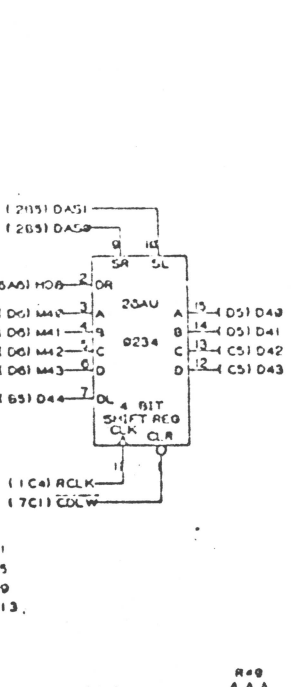
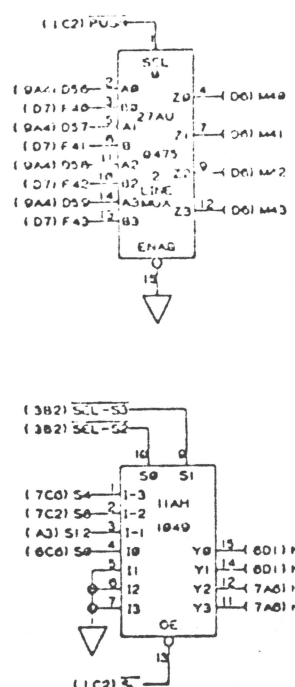
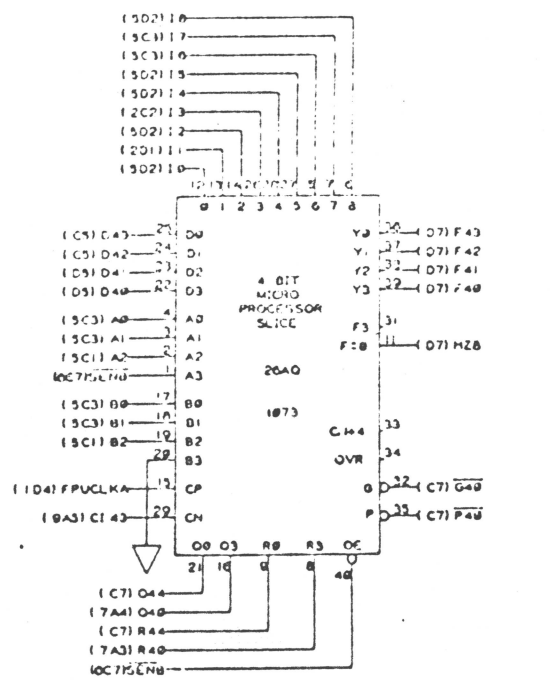
DESIGNED		<b>DATA GENERAL CORPORATION</b> SOUTH BRIDGE, MASSACHUSETTS 01172 TITLE <b>FLOATING NOVA 4 POINT</b>
CHEK'D		
ENGINEER		
APPROVED		
FIRST USED ON		

7

7

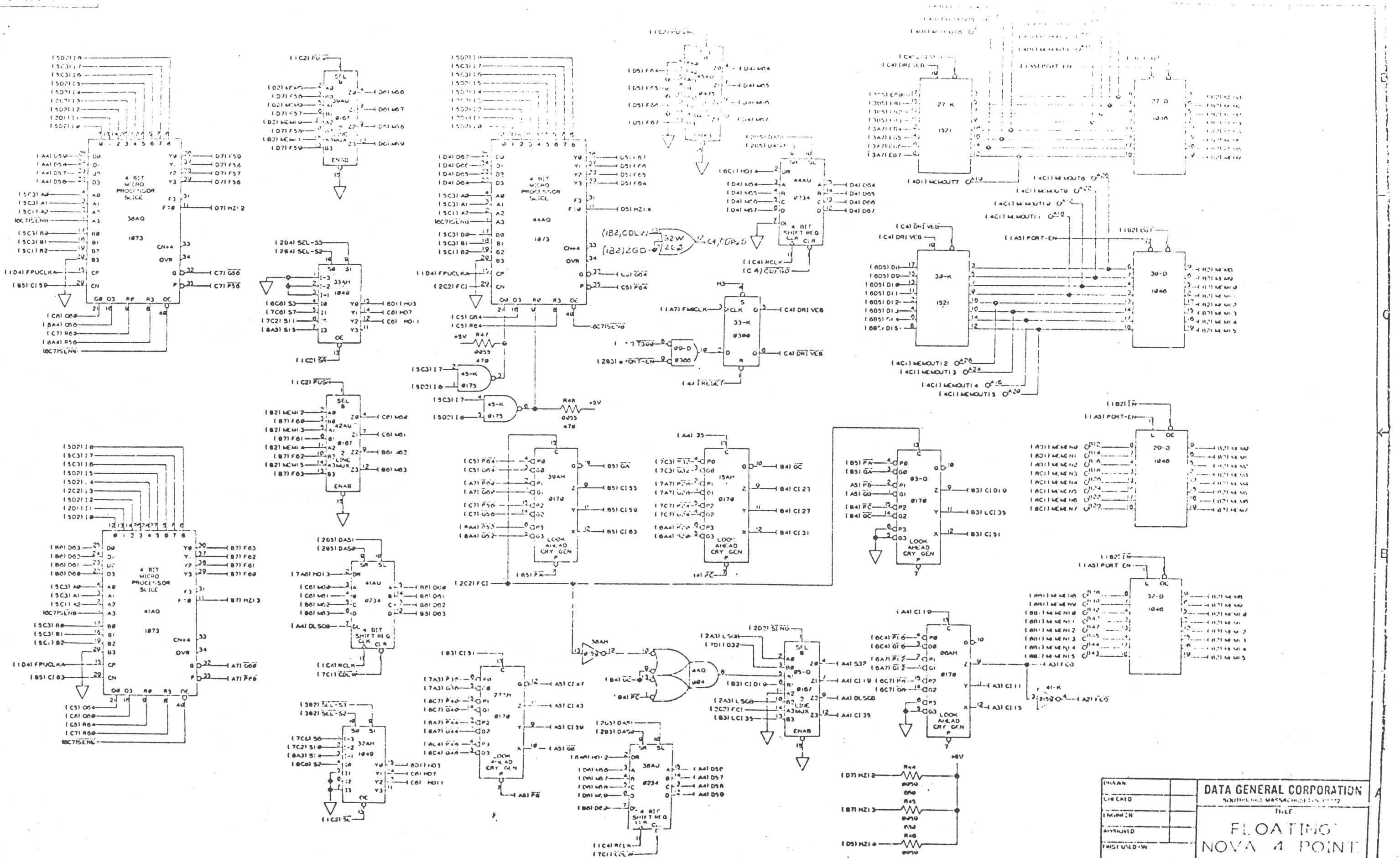


DRAWN		<b>DATA GENERAL CORPORATION</b> SOUTH BRIDGE MASSACHUSETTS 01772 TITLE <b>FLOATING</b> <b>NOVA 4 POINT</b> SIZE CODE
CHECKED		
ENGINEER		
APPROVED		
FIRST USED ON		



DESIGNED		<b>DATA GENERAL CORPORATION</b> SINGLYND MASSACHUSETTS 01922 TITLE <b>FLOATING NOVA 4 POINT</b>
CHECKED		
NUMBER		
APPROVED		
FIRST USED ON		





20

AP01 O (A4) GND  
 AP02 O (A4) GND  
 AP03 O (B4) +5V  
 AP04 O (B4) +5V  
 AP05 O  
 AP06 O (A4) GND  
 AP07 O (A4) GND  
 AP08 O (A4) GND  
 AP09 O (A4) GND  
 AP10 O (A4) GND  
 AP11 O (A4) GND  
 AP12 O (A4) GND  
 AP13 O (A4) GND  
 AP14 O (A4) GND  
 AP15 O (A4) GND  
 AP16 O (A4) GND  
 AP17 O (A4) GND  
 AP18 O (A4) GND  
 AP19 O (A4) GND  
 AP20 O (A4) GND  
 AP21 O (A4) GND  
 AP22 O (A4) GND  
 AP23 O (A4) GND  
 AP24 O (A4) GND  
 AP25 O (A4) GND  
 AP26 O (A4) GND  
 AP27 O (A4) GND  
 AP28 O (A4) GND  
 AP29 O (A4) GND  
 AP30 O (A4) GND  
 AP31 O (A4) GND  
 AP32 O (A4) GND  
 AP33 O (A4) GND  
 AP34 O (A4) GND  
 AP35 O (A4) GND  
 AP36 O (A4) GND  
 AP37 O (A4) GND  
 AP38 O (A4) GND  
 AP39 O (A4) GND  
 AP40 O (A4) GND  
 AP41 O (A4) GND  
 AP42 O (A4) GND  
 AP43 O (A4) GND  
 AP44 O (A4) GND  
 AP45 O (A4) GND  
 AP46 O (A4) GND  
 AP47 O (A4) GND  
 AP48 O (A4) GND  
 AP49 O (A4) GND  
 AP50 O (A4) GND

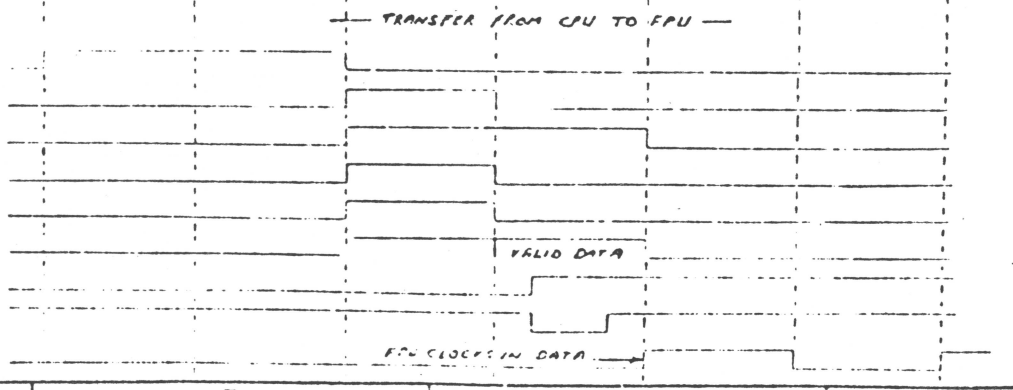
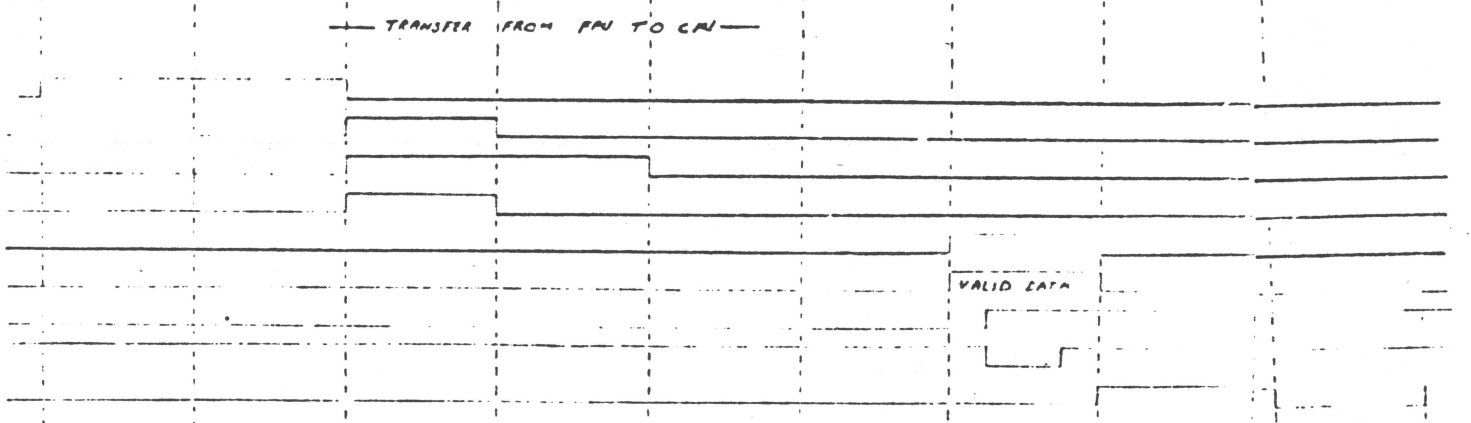
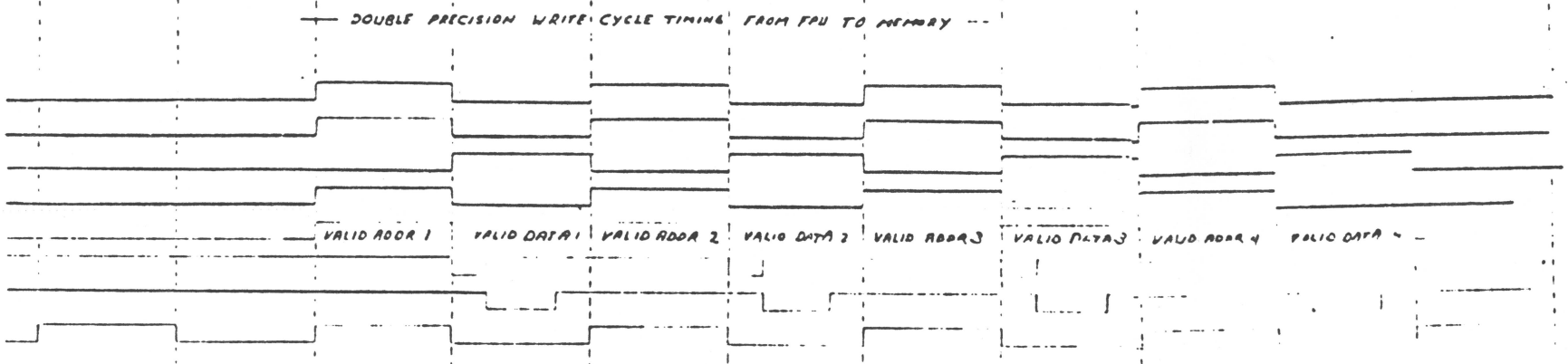
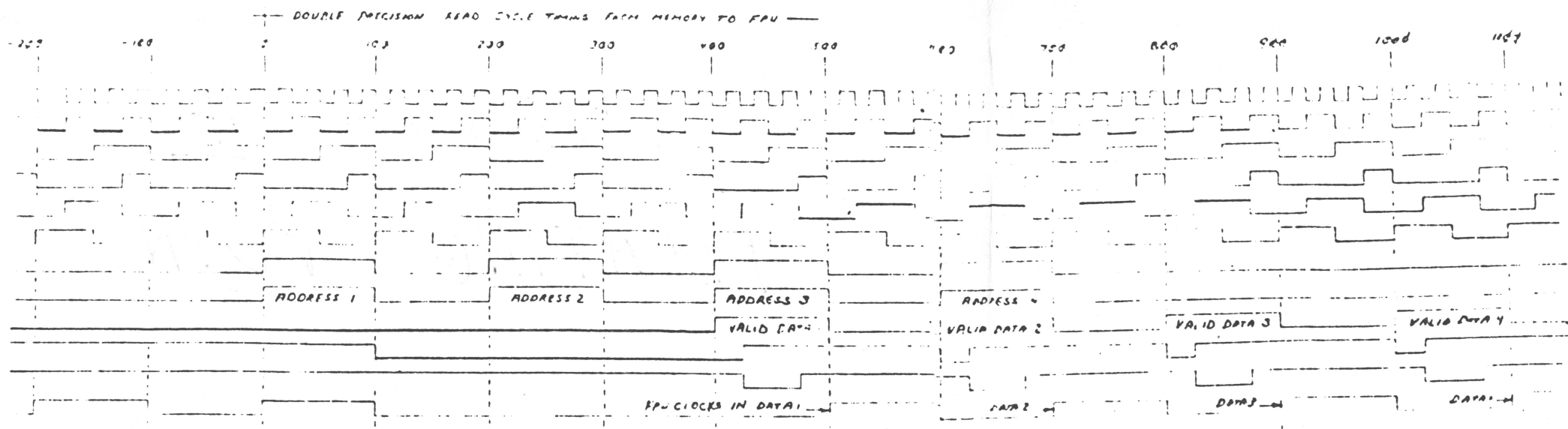
AP01 O (D7) MEM IN  
 AP02 O (D7) IR7  
 AP03 O (D7) IR6  
 AP04 O (D7) IR5  
 AP05 O (D7) IR4  
 AP06 O (D7) IR3  
 AP07 O (D7) IR2  
 AP08 O (D7) IR1  
 AP09 O (D7) IR0  
 AP10 O (C7) FPCPU  
 AP11 O (C7) FPCPU  
 AP12 O (C7) FPCPU  
 AP13 O (C7) FPCPU  
 AP14 O (C7) FPCPU  
 AP15 O (C7) FPCPU  
 AP16 O (C7) FPCPU  
 AP17 O (C7) FPCPU  
 AP18 O (C7) FPCPU  
 AP19 O (C7) FPCPU  
 AP20 O (C7) FPCPU  
 AP21 O (C7) FPCPU  
 AP22 O (C7) FPCPU  
 AP23 O (C7) FPCPU  
 AP24 O (C7) FPCPU  
 AP25 O (C7) FPCPU  
 AP26 O (C7) FPCPU  
 AP27 O (C7) FPCPU  
 AP28 O (C7) FPCPU  
 AP29 O (C7) FPCPU  
 AP30 O (C7) FPCPU  
 AP31 O (C7) FPCPU  
 AP32 O (C7) FPCPU  
 AP33 O (C7) FPCPU  
 AP34 O (C7) FPCPU  
 AP35 O (C7) FPCPU  
 AP36 O (C7) FPCPU  
 AP37 O (C7) FPCPU  
 AP38 O (C7) FPCPU  
 AP39 O (C7) FPCPU  
 AP40 O (C7) FPCPU  
 AP41 O (C7) FPCPU  
 AP42 O (C7) FPCPU  
 AP43 O (C7) FPCPU  
 AP44 O (C7) FPCPU  
 AP45 O (C7) FPCPU  
 AP46 O (C7) FPCPU  
 AP47 O (C7) FPCPU  
 AP48 O (C7) FPCPU  
 AP49 O (C7) FPCPU  
 AP50 O (C7) FPCPU

B001 C (A4) GND  
 B002 O (A4) GND  
 B003 O (B4) +5V  
 B004 O (B4) +5V  
 B005 O  
 B006 O  
 B007 O  
 B008 O  
 B009 O  
 B010 O  
 B011 O (B01) MEM N0  
 B012 O (A4) GND  
 B013 O (A4) GND  
 B014 O (B01) MEM N1  
 B015 O (B01) MEM N2  
 B016 O (B01) MEM N3  
 B017 O (B01) MEM N4  
 B018 O (B01) MEM N5  
 B019 O (B01) MEM N6  
 B020 O (B01) MEM N7  
 B021 O (A4) GND  
 B022 O (B01) MEM N8  
 B023 O (B01) MEM N9  
 B024 O (B01) MEM N0  
 B025 O (B01) MEM N1  
 B026 O (B01) MEM N2  
 B027 O (B01) MEM N3  
 B028 O (B01) MEM N4  
 B029 O (B01) MEM N5  
 B030 O (B01) MEM N6  
 B031 O (B01) MEM N7  
 B032 O (B01) MEM N8  
 B033 O (B01) MEM N9  
 B034 O (B01) MEM N0  
 B035 O (B01) MEM N1  
 B036 O (B01) MEM N2  
 B037 O (B01) MEM N3  
 B038 O (B01) MEM N4  
 B039 O (B01) MEM N5  
 B040 O (B01) MEM N6  
 B041 O (B01) MEM N7  
 B042 O (B01) MEM N8  
 B043 O (B01) MEM N9  
 B044 O (B01) MEM N0  
 B045 O (B01) MEM N1  
 B046 O (B01) MEM N2  
 B047 O (B01) MEM N3  
 B048 O (B01) MEM N4  
 B049 O (B01) MEM N5  
 B050 O (B01) MEM N6

B051 O  
 B052 O  
 B053 O  
 B054 O  
 B055 O (A4) GND  
 B056 O (A4) GND  
 B057 O (A4) GND  
 B058 O (A4) GND  
 B059 O (A4) GND  
 B060 O (A4) GND  
 B061 O (A4) GND  
 B062 O (A4) GND  
 B063 O (A4) GND  
 B064 O (A4) GND  
 B065 O (A4) GND  
 B066 O (A4) GND  
 B067 O (A4) GND  
 B068 O (A4) GND  
 B069 O (A4) GND  
 B070 O (A4) GND  
 B071 O (A4) GND  
 B072 O (A4) GND  
 B073 O (A4) GND  
 B074 O (A4) GND  
 B075 O (A4) GND  
 B076 O (A4) GND  
 B077 O (A4) GND  
 B078 O (A4) GND  
 B079 O (A4) GND  
 B080 O (A4) GND  
 B081 O (A4) GND  
 B082 O (A4) GND  
 B083 O (A4) GND  
 B084 O (A4) GND  
 B085 O (A4) GND  
 B086 O (A4) GND  
 B087 O (A4) GND  
 B088 O (A4) GND  
 B089 O (A4) GND  
 B090 O (A4) GND  
 B091 O (A4) GND  
 B092 O (A4) GND  
 B093 O (A4) GND  
 B094 O (A4) GND  
 B095 O (A4) GND  
 B096 O (A4) GND  
 B097 O (A4) GND  
 B098 O (A4) GND  
 B099 O (A4) GND  
 B100 O (A4) GND



DESIGNED		<b>DATA GENERAL CORPORATION</b> SOUTHBRIDGE MASSACHUSETTS 01550 TITLE <b>FLOATING NOVA 4 POINT</b>
CHECKED		
ENGINEER		
APPROVED		
FIRST USED ON		
SIZE	D	00100



- NOTES:
- MEMEN MAY BE HIGH LOW IN 100 NS INCREMENTS BY A) MEMORY B) MEMORY
  - FOR SINGLE PRECISION TWO WORDS ARE TRANSFERRED
  - FOR DOUBLE PRECISION FOUR WORDS ARE TRANSFERRED
  - ALL TIMES ARE IN NANO SECONDS

FPU-CPU-MEMORY TIMING

ITEM	QTY	DESCRIPTION	REVISION
DATA GENERAL CORPORATION			
WISBORO MASS 01581			
NOVA 4 FLOATING POINT			
001002611	01		