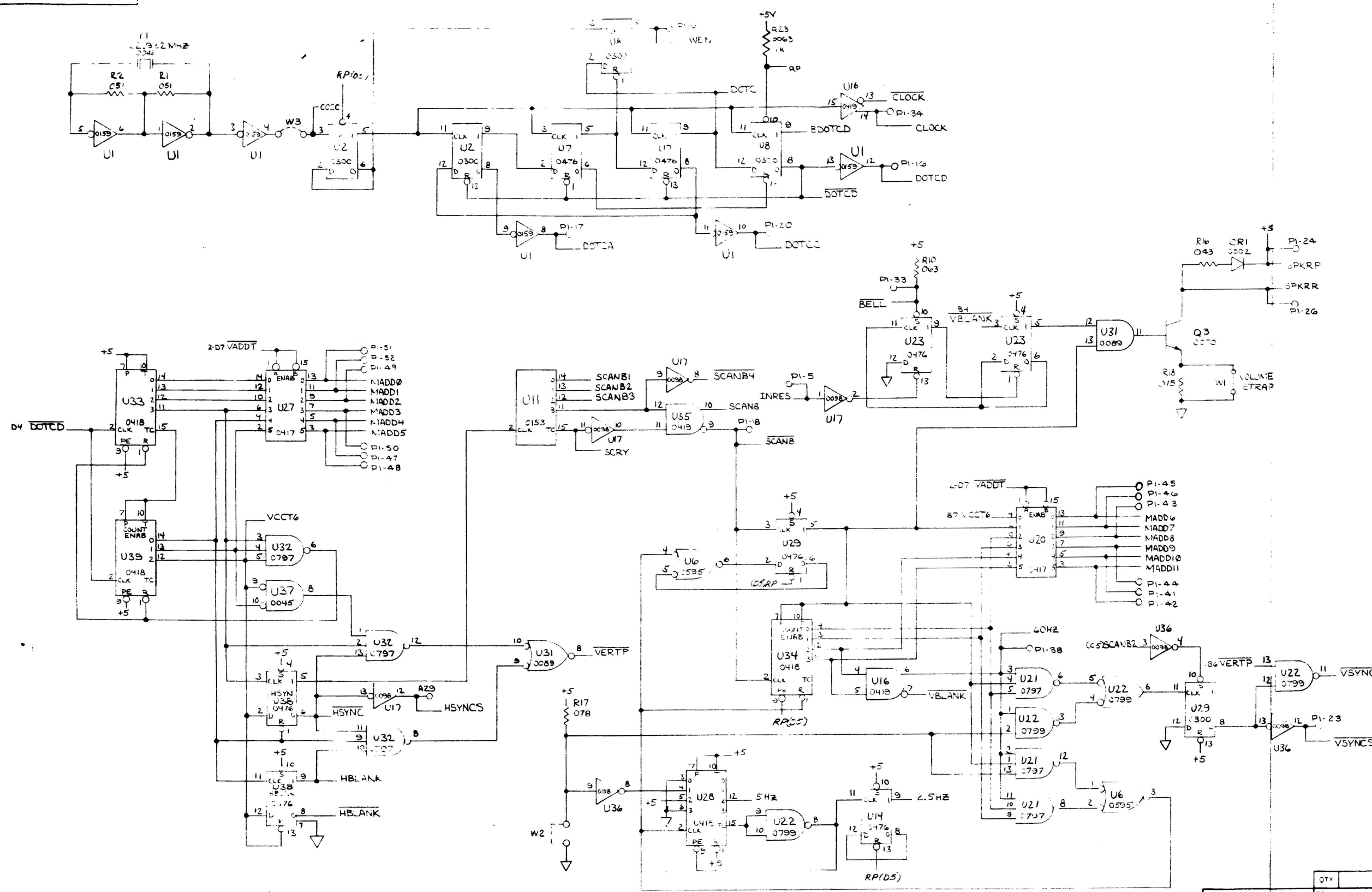


THIS DRAWING AND SPECIFICATION HEREIN ARE THE PROPERTY OF DATA GENERAL CORPORATION AND SHALL NOT BE REPRODUCED OR COPIED OR USED IN WHOLE OR IN PART AS THE BASIS FOR MANUFACTURE OR SALE OF ITEMS WITHOUT WRITTEN PERMISSION.

REVISIONS				
REV	DESCRIPTION	DRFTG	APP BY	DATE
01	ECO B054A	WLG		
02	ECO B073	WLG		
03	ECO B053A	WLG		11-29-77
04	ECO B073	WLG		11-29-77
05	ECO B095	WLG		1-19-77
06	ECO B054A	WLG		1-19-77
07	ECO 5761	WLG		2-10-77



NOTES: 1. INSERT W2 FOR 50HZ REFRESH (EXPORT MODELS)
2. REMOVE R18 FOR LOWER VOLUME AUDIBLE TONE

UNLESS OTHERWISE SPECIFIED USE D G C SPECIFICATION 108-000028 FOR TOLERANCES AND WORKMANSHIP REQUIREMENTS		DRAWN		CHECKED		ENGINEER		APPROVED		FIRST USED ON		MATERIAL		FINISH		SCALE	
DATA GENERAL CORPORATION SOUTH-BORD, MASSACHUSETTS 01772												TITLE DISPLAY VIDEO TIMING GENERATOR		REV 07			
DRAWING NUMBER 000942												SIZE D 001		REV 07			

