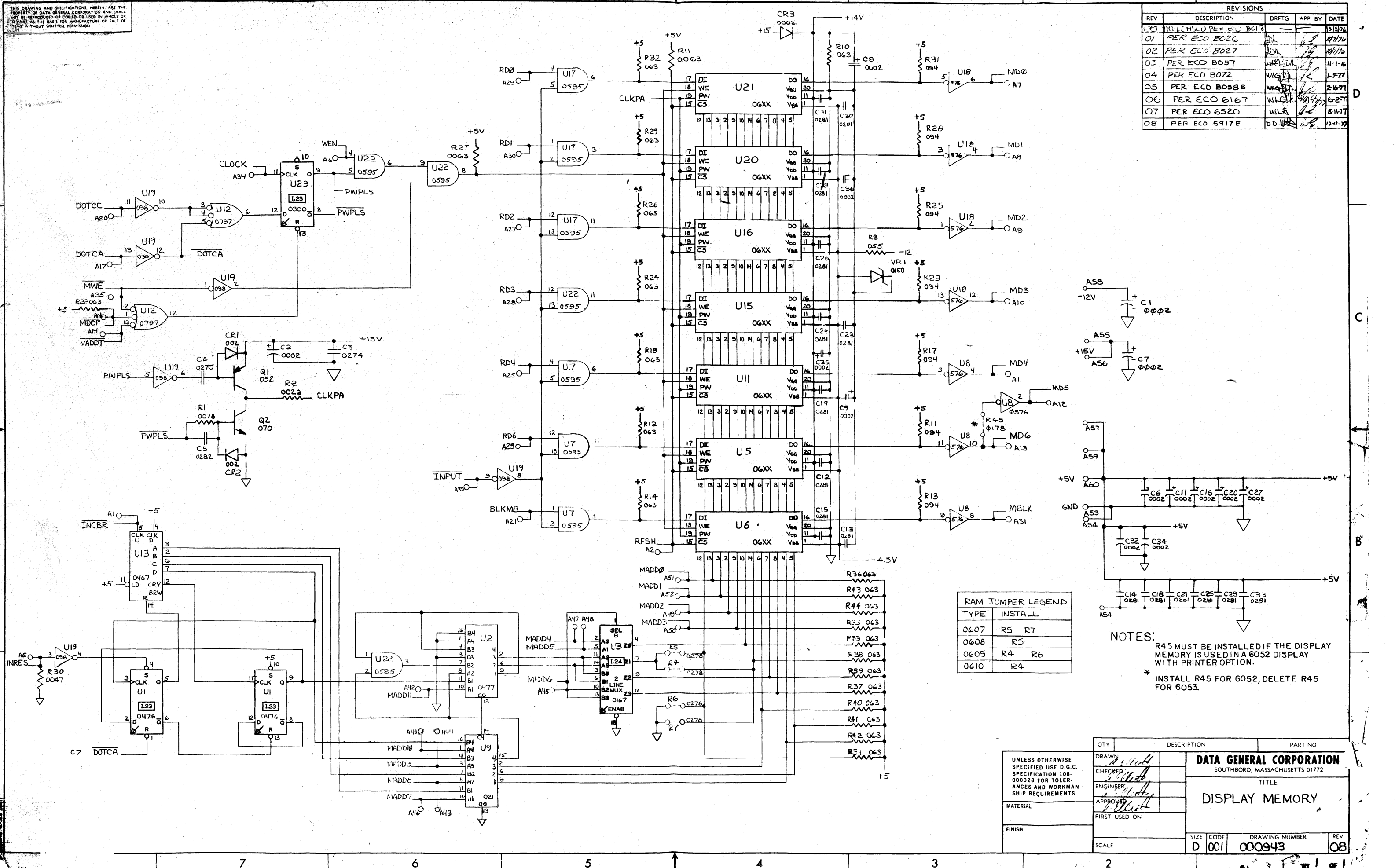


THIS DRAWING AND SPECIFICATIONS HEREIN ARE THE PROPERTY OF DATA GENERAL CORPORATION AND SHALL NOT BE REPRODUCED OR COPIED OR USED IN WHOLE OR IN PART AS THE BASIS FOR MANUFACTURE OR SALE OF OTHERS WITHOUT WRITTEN PERMISSION.

| REVISIONS | | | | |
|-----------|-----------------------|-------|--------|----------|
| REV | DESCRIPTION | DRFTG | APP BY | DATE |
| 00 | RELEASED PER ECO B012 | | | 11-17-76 |
| 01 | PER ECO B026 | | | 11-17-76 |
| 02 | PER ECO B027 | | | 11-17-76 |
| 03 | PER ECO B057 | | | 11-17-76 |
| 04 | PER ECO B072 | | | 1-5-77 |
| 05 | PER ECO B058B | | | 2-16-77 |
| 06 | PER ECO 6167 | | | 6-2-77 |
| 07 | PER ECO 6520 | | | 8-11-77 |
| 08 | PER ECO 5917E | | | 12-9-77 |



| TYPE | INSTALL |
|------|---------|
| 0607 | R5 R7 |
| 0608 | R5 |
| 0609 | R4 R6 |
| 0610 | R4 |

NOTES:
 R45 MUST BE INSTALLED IF THE DISPLAY MEMORY IS USED IN A 6052 DISPLAY WITH PRINTER OPTION.
 * INSTALL R45 FOR 6052, DELETE R45 FOR 6053.

| QTY | DESCRIPTION | PART NO |
|-----|--|---------|
| | UNLESS OTHERWISE SPECIFIED USE D.G.C. SPECIFICATION 108-000028 FOR TOLERANCES AND WORKMANSHIP REQUIREMENTS | |
| | DRAWN: <i>[Signature]</i> | |
| | CHECKED: <i>[Signature]</i> | |
| | ENGINEER: <i>[Signature]</i> | |
| | APPROVED: <i>[Signature]</i> | |
| | FIRST USED ON: | |
| | SCALE: | |

| | | |
|---|------|----------------|
| DATA GENERAL CORPORATION SOUTHBORO, MASSACHUSETTS 01772 | | |
| TITLE DISPLAY MEMORY | | |
| SIZE | CODE | DRAWING NUMBER |
| D | 001 | 000943 |
| REV | | |
| 08 | | |