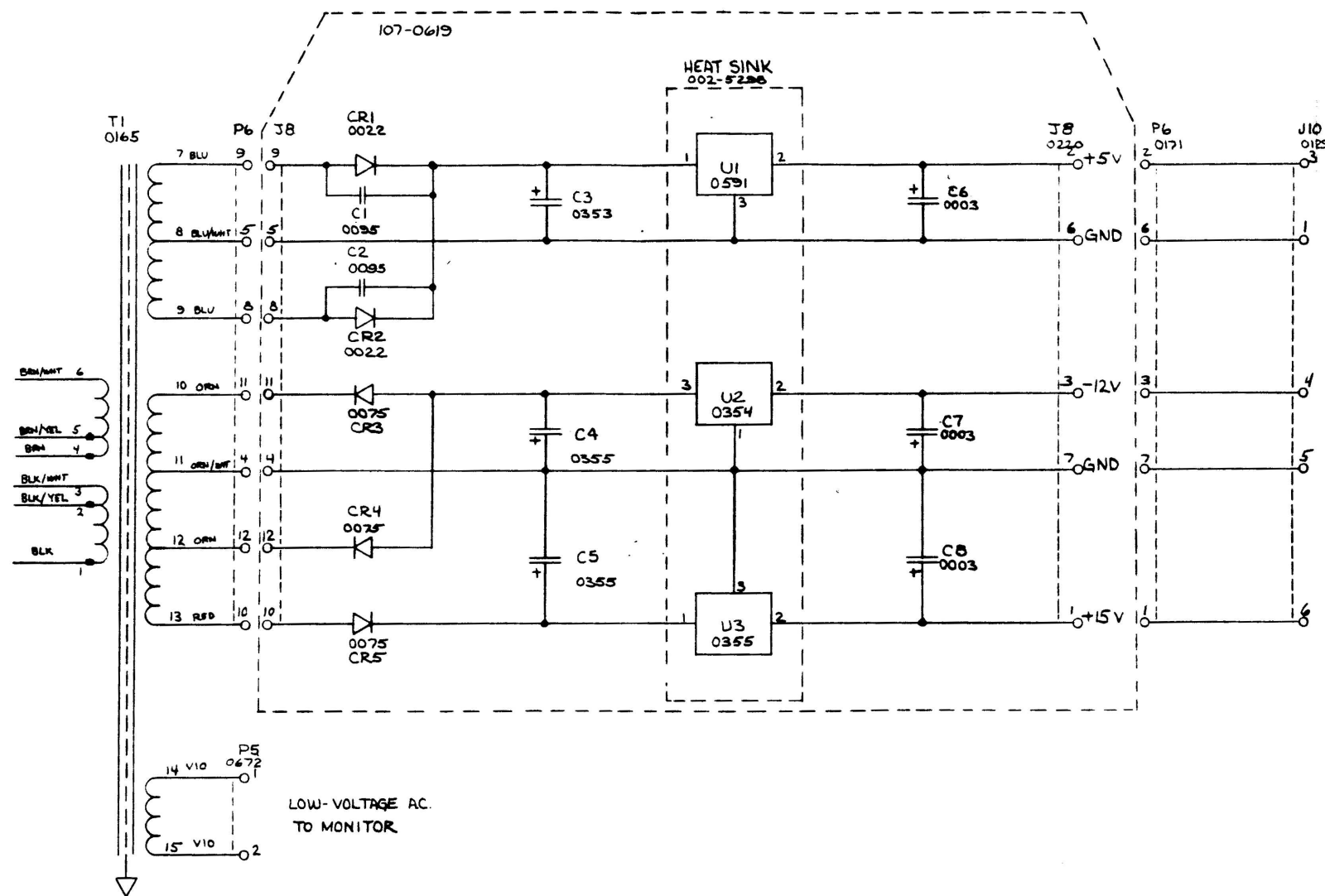


THIS DRAWING AND SPECIFICATIONS HEREIN ARE THE PROPERTY OF DATA GENERAL CORPORATION AND SHALL NOT BE REPRODUCED OR COPIED OR USED IN WHOLE OR IN PART AS THE BASIS FOR MANUFACTURE OR SALE OF ITEMS WITHOUT WRITTEN PERMISSION.

REVISIONS				
REV	DESCRIPTION	DRG'G	APP BY	DATE
00	RELEASED PER BLD. ROOM			



NOTES: 1. U1, U2 AND U3 ARE NOT MOUNTED ON PCB

QTY	DESCRIPTION	PART NO
	UNLESS OTHERWISE SPECIFIED USE D.G.C. SPECIFICATION 100-00020 FOR TOLERANCES AND WORKMANSHIP REQUIREMENTS	
DRAWN	<i>[Signature]</i>	10/22/75
CHECKED	<i>[Signature]</i>	7/1/76
ENGINEER	<i>[Signature]</i>	
APPROVED		
MATERIAL		
FINISH		
SCALE	FIRST USED ON 6052 6053	

DATA GENERAL CORPORATION		SOUTHBORO MASSACHUSETTS 01772	
TITLE			
DISPLAY TERMINAL			
POWER SUPPLY			
SIZE	CODE	DRAWING NUMBER	
D	001	000948	00

DRAWING 000948 20011