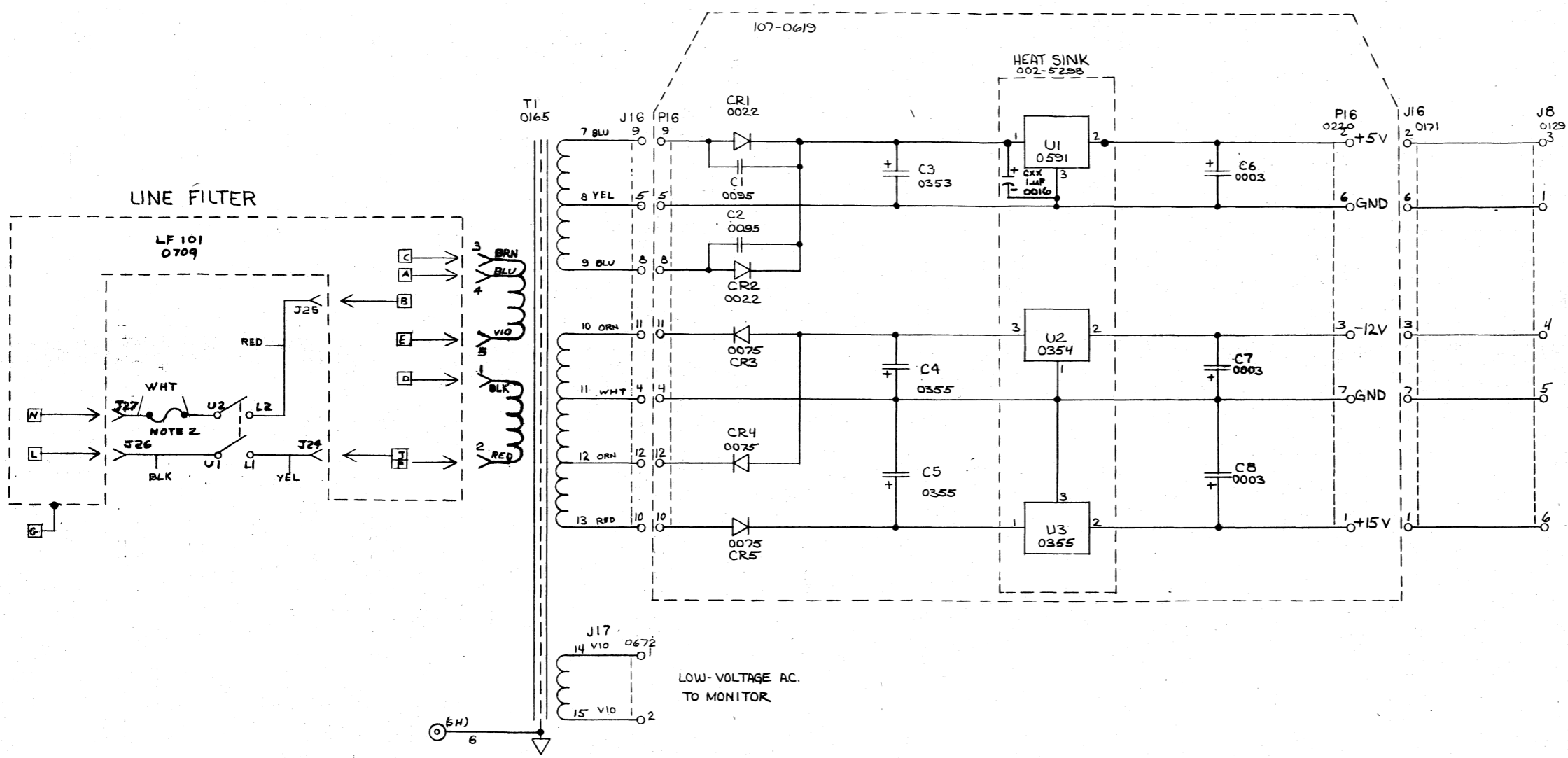


THIS DRAWING AND SPECIFICATIONS, HEREIN, ARE THE PROPERTY OF DATA GENERAL CORPORATION AND SHALL NOT BE REPRODUCED OR COPIED OR USED IN WHOLE OR IN PART AS THE BASIS FOR MANUFACTURE OR SALE OF ANYTHING WITHOUT WRITTEN PERMISSION.

REVISIONS				
REV	DESCRIPTION	DRFTG	APP BY	DATE
00	RELEASED PER ECD B029			3/24/76
01	ECD# 7075	DDW	RP	2-14-76
02	ECD 7503B	WLB	RP	2-12-76
03	ECD 8762A	WLB	RP	3-19-76



NOTES: 1. U1, U2 AND U3 ARE NOT MOUNTED ON PCB
 2. FOR 110 VOLT OPERATION:
 PLACE 1AMP SLO-BLO FUSE (TYPE 3AG), DGC# 113-056
 IN FUSE HOLDER PORTION OF LF101 (LINE SIDE) AND PLACE
 CONDUCTOR SLUG, DGC# 002-007555, IN THE IN-LINE FUSE HOLDER
 (NEUTRAL SIDE).
 FOR 220 VOLT OPERATION:
 PLACE 1/2 AMP, 250 VOLT, SLO-BLO FUSE (TYPE 3AG),
 DGC# 113-061 IN BOTH FUSE HOLDERS.
 (FUSE HOLDER PORTION OF LF101 AND IN-LINE FUSEHOLDER)

VOLTAGE SELECT CARD	PIN CONNECTIONS
100V	A to C, C to D, E to F
120V	E to F, B to C to D
220V	A to C, D to E
240V	B to C, D to E

QTY	DESCRIPTION	PART NO
	UNLESS OTHERWISE SPECIFIED USE D.G.C. SPECIFICATION 108-000028 FOR TOLERANCES AND WORKMANSHIP REQUIREMENTS	
	DRAWN: <i>[Signature]</i> 10/2/75	
	CHECKED: <i>[Signature]</i> 2/9/76	
	ENGINEER: <i>[Signature]</i>	
	APPROVED:	
	FIRST USED ON: 6052, 6053	
	SCALE:	
	DATA GENERAL CORPORATION SOUTHBORO, MASSACHUSETTS 01772	
	TITLE DISPLAY TERMINAL POWER SUPPLY	
	SIZE CODE: D 001	DRAWING NUMBER: 000948
		REV: 03

DRAWING 40-226 20111