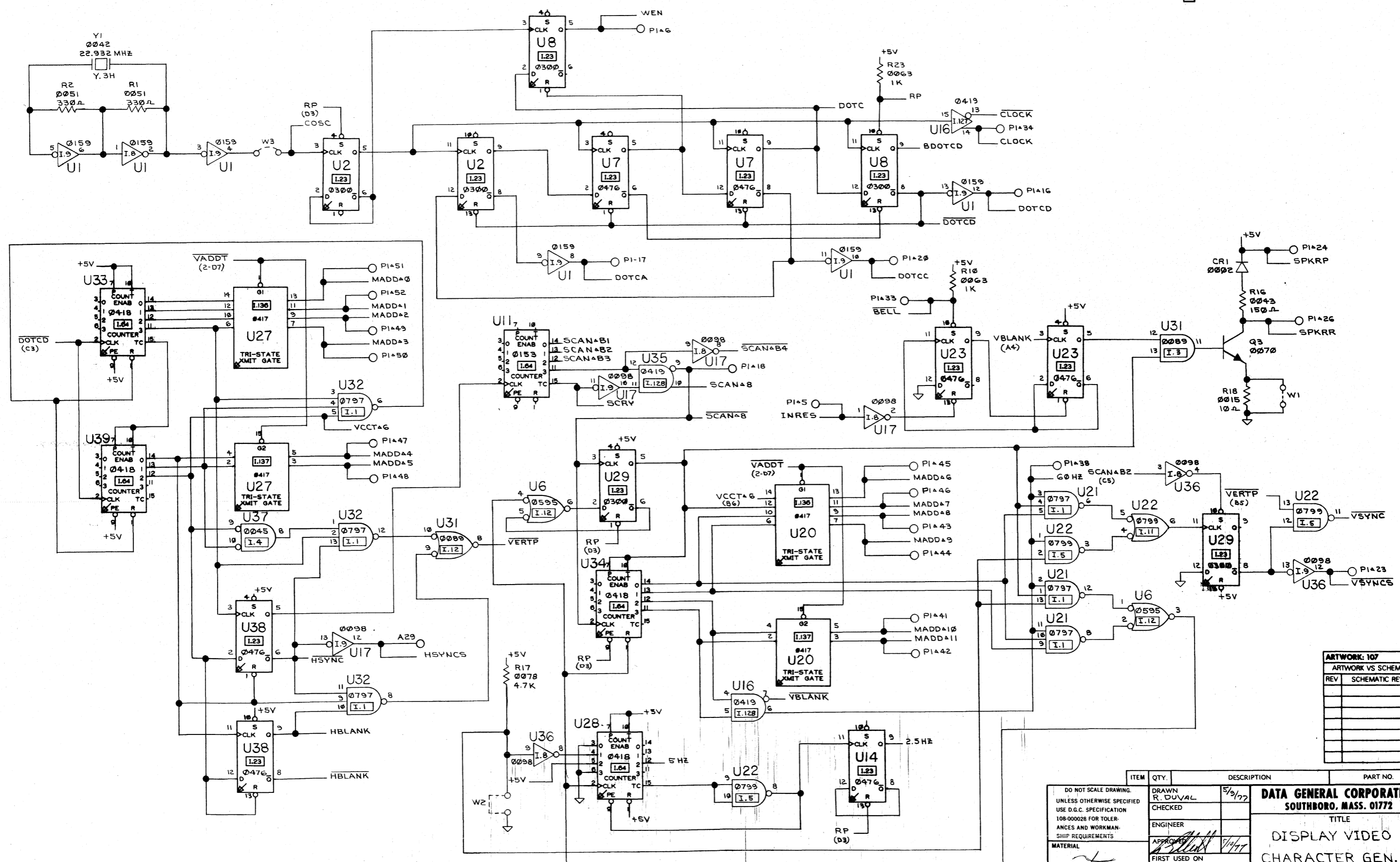


THIS DRAWING AND SPECIFICATIONS, HEREIN, ARE THE PROPERTY OF DATA GENERAL CORPORATION AND SHALL NOT BE REPRODUCED OR COPIED OR USED IN WHOLE OR IN PART AS THE BASIS FOR MANUFACTURE OR SALE OF ITEMS WITHOUT WRITTEN PERMISSION.

REVISIONS				
REV.	DESCRIPTION	DRFTG.	APP. BY	DATE
00	Release Per ESD 624	-	-	6/23/77



ARTWORK: 107	
ARTWORK VS SCHEMATIC	
REV	SCHEMATIC REV(S)

ITEM	QTY.	DESCRIPTION	PART NO.
DO NOT SCALE DRAWING. UNLESS OTHERWISE SPECIFIED USE D.G.C. SPECIFICATION 108-000028 FOR TOLERANCES AND WORKMANSHIP REQUIREMENTS			
MATERIAL			
FINISH			
DRAWN R. DUVAL	5/9/77	DATA GENERAL CORPORATION SOUTHBORO, MASS. 01772	
CHECKED		TITLE	
ENGINEER		DISPLAY VIDEO	
APPROVED	5/14/77	CHARACTER GEN.	
FIRST USED ON	005-8774	SCALE	CODE IDENT. SIZE CODE DRAWING NUMBER REV.
			34984 D 001 001187 00

BRUNING 40536 20411-2

THIS DRAWING AND SPECIFICATIONS HEREIN, ARE THE PROPERTY OF DATA GENERAL CORPORATION AND SHALL NOT BE REPRODUCED OR COPIED OR USED IN WHOLE OR IN PART AS THE BASIS FOR MANUFACTURE OR SALE OF ITEMS WITHOUT WRITTEN PERMISSION

REVISIONS				
REV.	DESCRIPTION	DRFTG.	APP. BY	DATE

D

D

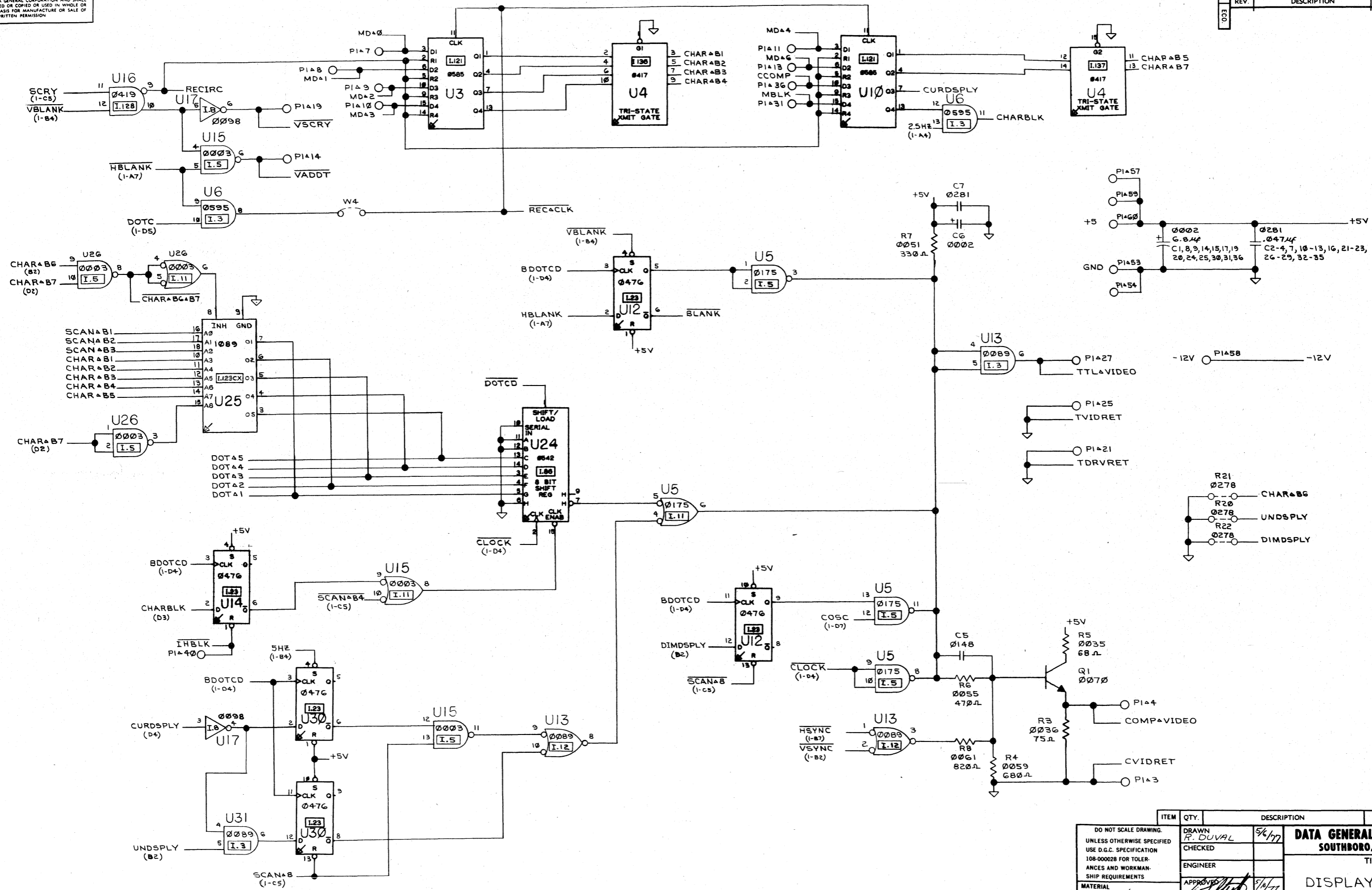
C

C

B

A

A



ITEM	QTY.	DESCRIPTION	PART NO.
DO NOT SCALE DRAWING.			
UNLESS OTHERWISE SPECIFIED			
USE D.G.C. SPECIFICATION			
108-00028 FOR TOLERANCES AND WORKMANSHIP REQUIREMENTS			
MATERIAL			
FINISH			
DRAWN	R. DUVAL	5/6/77	DATA GENERAL CORPORATION SOUTHBORO, MASS. 01772
CHECKED			TITLE
ENGINEER			DISPLAY VIDEO CHARACTER GEN.
APPROVED		5/11/77	FIRST USED ON
			C05-8774
SCALE		CODE IDENT.	SIZE
		34984	D 001
			DRAWING NUMBER
			001187
			REV.
			00