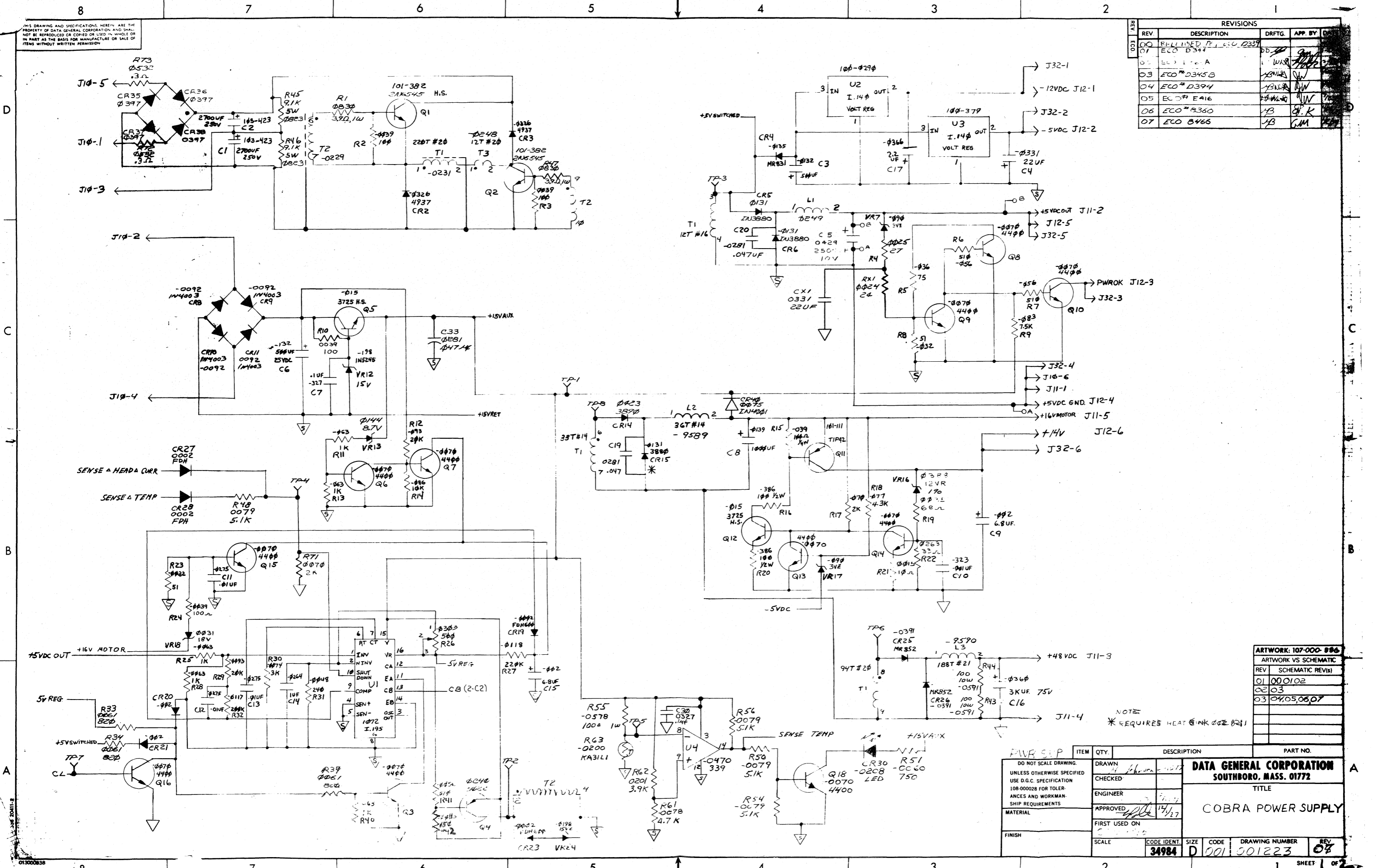


THIS DRAWING AND SPECIFICATIONS HEREIN ARE THE PROPERTY OF DATA GENERAL CORPORATION AND SHALL NOT BE REPRODUCED OR COPIED OR USED IN WHOLE OR IN PART AS THE BASIS FOR MANUFACTURE OR SALE OF ITEMS WITHOUT WRITTEN PERMISSION

REVISIONS			
REV	DESCRIPTION	DRFTG	APP. BY
00	RELEASED FOR U.S. 0239	DD	GM
01	ECO # D344	DD	GM
02	ECO # E12-A	DD	GM
03	ECO # D345B	DD	GM
04	ECO # D394	DD	GM
05	ECO # E416	DD	GM
06	ECO # B360	DD	GM
07	ECO # B466	DD	GM



ARTWORK: 107-000-886

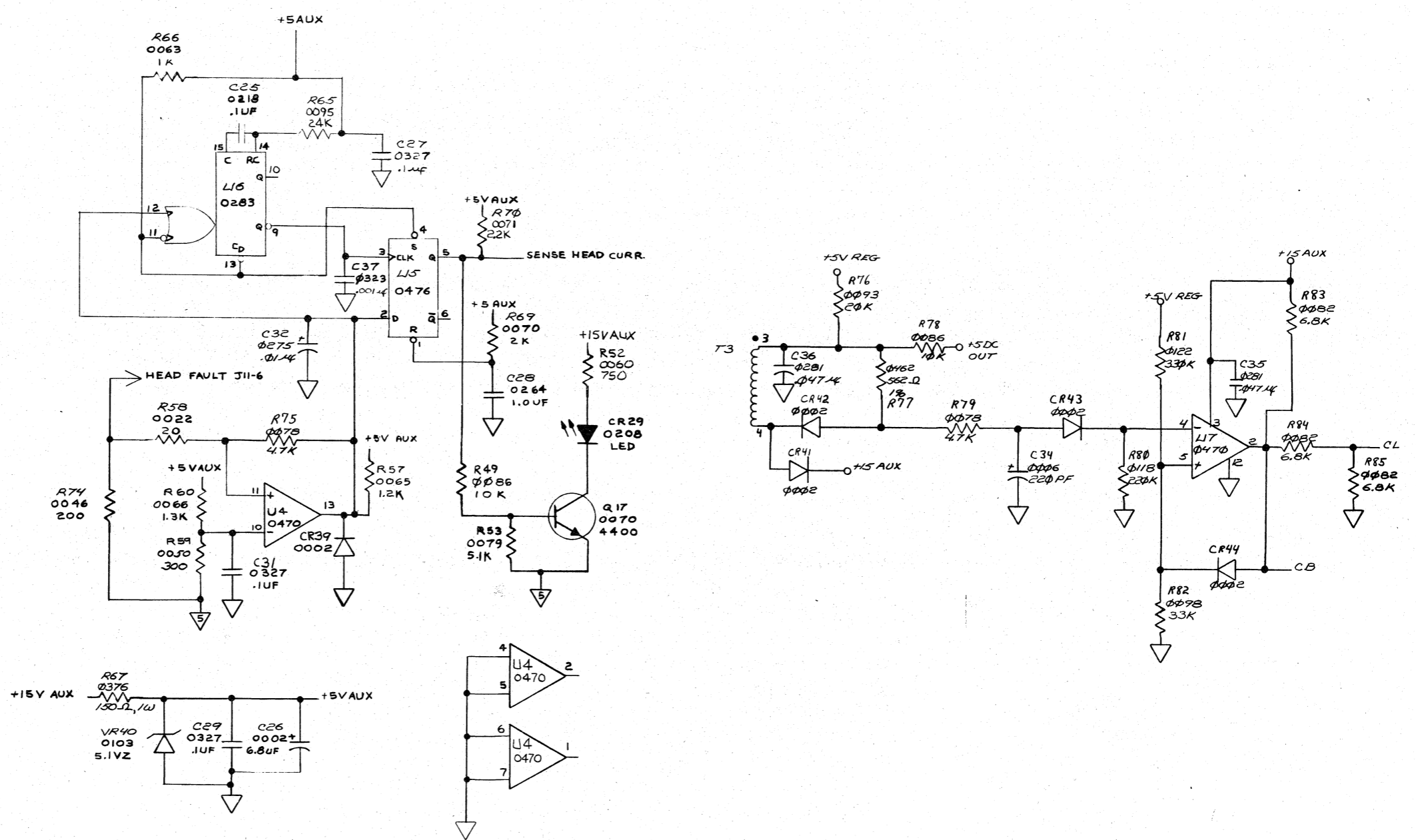
REV	DESCRIPTION	DATE
01	SCHEMATIC REV(S)	00/01/02
02		03
03		04/05/06/07

DO NOT SCALE DRAWING		DRAWN		DESCRIPTION		PART NO.	
UNLESS OTHERWISE SPECIFIED USE D.G.C. SPECIFICATION 108-00028 FOR TOLERANCES AND WORKMANSHIP REQUIREMENTS		CHECKED				DATA GENERAL CORPORATION SOUTHBORO, MASS. 01772	
MATERIAL		ENGINEER				TITLE	
FINISH		APPROVED				COBRA POWER SUPPLY	
		FIRST USED ON				SCALE	
						CODE IDENT. SIZE CODE DRAWING NUMBER REV	
						34984 D 001 001223 07	

NOTE: * REQUIRES HEAT SINK 002-821

DRAWING AND SPECIFICATIONS, HEREIN, ARE THE PROPERTY OF DATA GENERAL CORPORATION AND SHALL BE REPRODUCED OR COPIED OR USED IN WHOLE OR PART AS THE BASIS FOR MANUFACTURE OR SALE OF ANYTHING WITHOUT WRITTEN PERMISSION

REVISIONS				
REV.	DESCRIPTION	DRFTG.	APP. BY	DATE



ITEM	QTY.	DESCRIPTION	PART NO.
DO NOT SCALE DRAWING.			
UNLESS OTHERWISE SPECIFIED USE D.G.C. SPECIFICATION 108-000028 FOR TOLERANCES AND WORKMANSHIP REQUIREMENTS			
MATERIAL			
FINISH			
SCALE	CODE IDENT.	SIZE	CODE
	34984	D	001
DRAWING NUMBER		REV.	
00 1223		07	

DATA GENERAL CORPORATION
SOUTHBORO, MASS. 01772
TITLE
DASHER LP2 & TP2
POWER SUPPLY

BRUNING 40-52620411-5