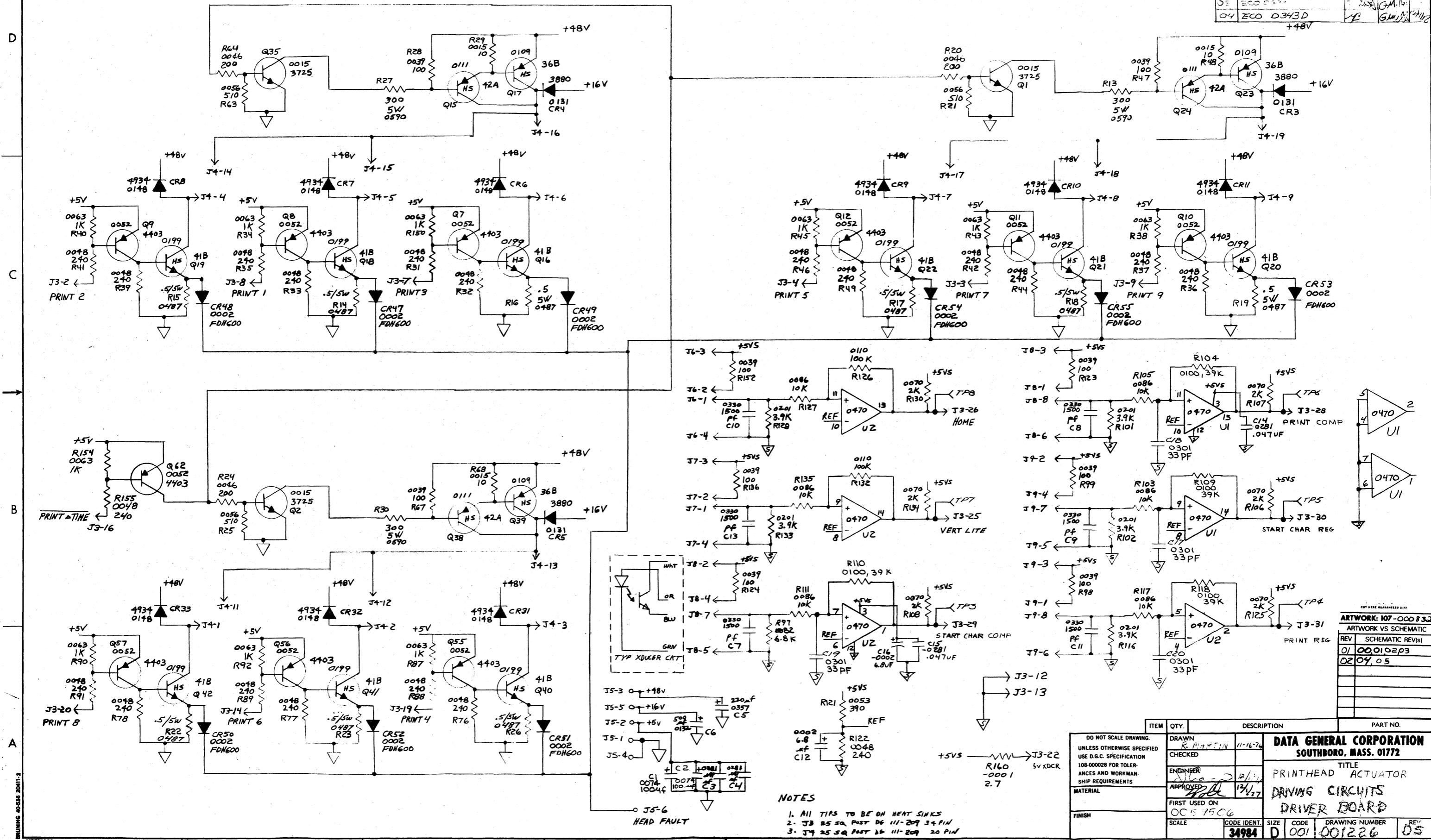


1. SPECIFICATIONS HEREIN ARE THE PROPERTY OF DATA GENERAL CORPORATION AND SHALL NOT BE REPRODUCED OR COPIED OR USED IN WHOLE OR IN PART AS THE BASIS FOR MANUFACTURE OR SALE OF ITEMS WITHOUT WRITTEN PERMISSION.

REVISIONS				
REV.	DESCRIPTION	DRFTG.	APP. BY	DATE
00	RELEASED PER ECO D-10			
01	ECO D342			
02	ECO D-4A			
03	ECO D-777			
04	ECO D343D			



ARTWORK: 107-000833	
ARTWORK VS SCHEMATIC	
REV	SCHEMATIC REV(S)
01	00, 01, 02, 03
02	04, 05

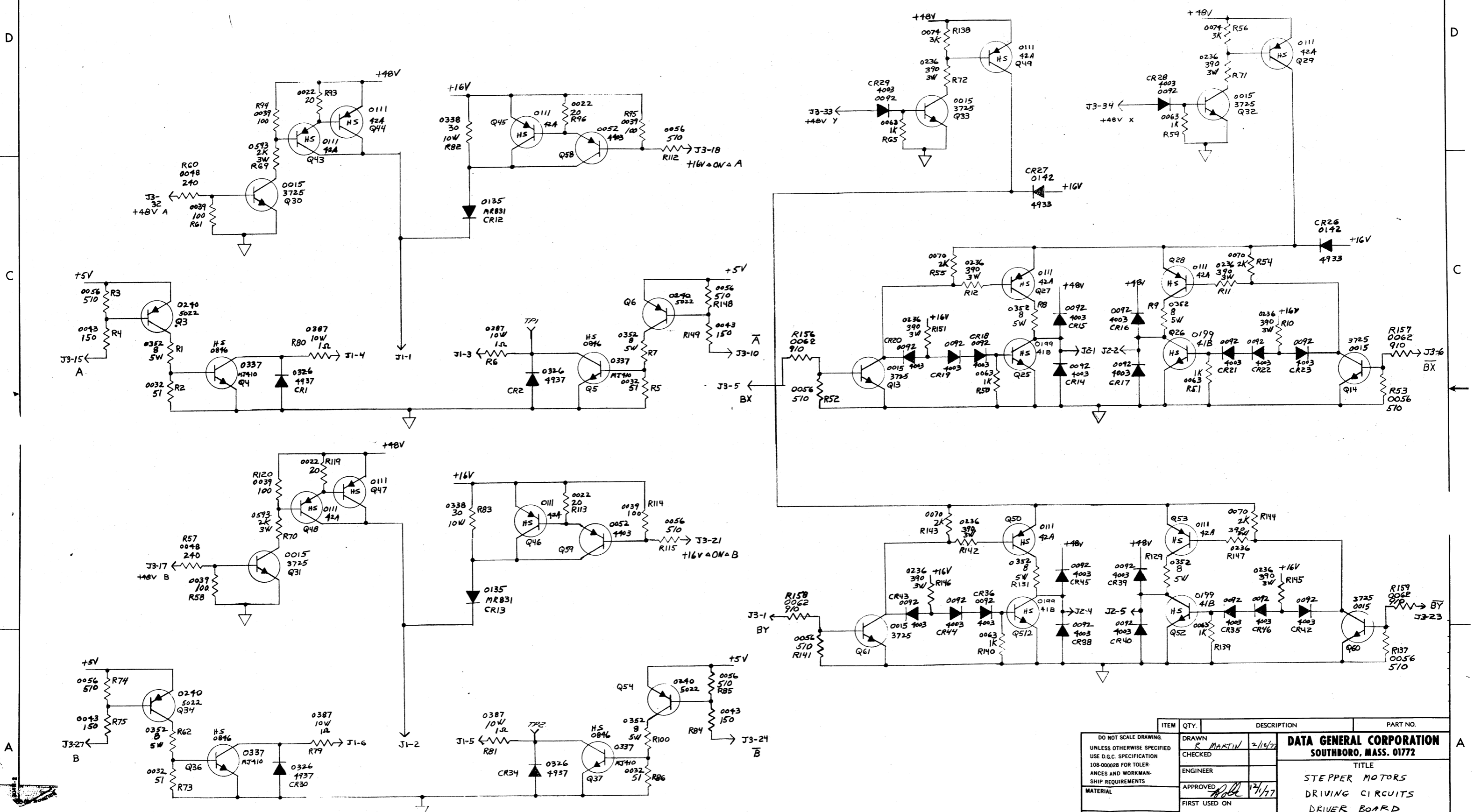
ITEM	QTY.	DESCRIPTION	PART NO.
DO NOT SCALE DRAWING			
UNLESS OTHERWISE SPECIFIED USE D.C. SPECIFICATION			
108-00028 FOR TOLERANCES AND WORKMANSHIP REQUIREMENTS			
MATERIAL			
FINISH			
SCALE	CODE IDENT.	SIZE	CODE
	34984	D	001
DRAWING NUMBER	REV		
001226	05		

- NOTES**
1. ALL TIPS TO BE ON HEAT SINKS
 2. J3 25 SQ. POST DG III-209 34 PIN
 3. J4 25 SQ. POST DG III-209 20 PIN

DRAWING 10-258 2011-2

THIS DRAWING AND SPECIFICATIONS HEREIN, ARE THE PROPERTY OF DATA GENERAL CORPORATION AND SHALL NOT BE REPRODUCED OR COPIED OR USED IN WHOLE OR IN PART AS THE BASIS FOR MANUFACTURE OR SALE OF ITEMS WITHOUT WRITTEN PERMISSION

REVISIONS				
REV.	DESCRIPTION	DRFTG.	APP. BY	DATE
1				



ITEM	QTY.	DESCRIPTION	PART NO.
DO NOT SCALE DRAWING.			
UNLESS OTHERWISE SPECIFIED			
USE D.G.C. SPECIFICATION			
108-00028 FOR TOLERANCES AND WORKMANSHIP REQUIREMENTS			
DRAWN		DATE	
CHECKED			
ENGINEER			
APPROVED		DATE	
FIRST USED ON			
SCALE		CODE IDENT.	SIZE
		34984	D 001
		DRAWING NUMBER	REV
		001226	05

DATA GENERAL CORPORATION
SOUTHBORO, MASS. 01772

TITLE
STEPPER MOTORS
DRIVING CIRCUITS
DRIVER BOARD