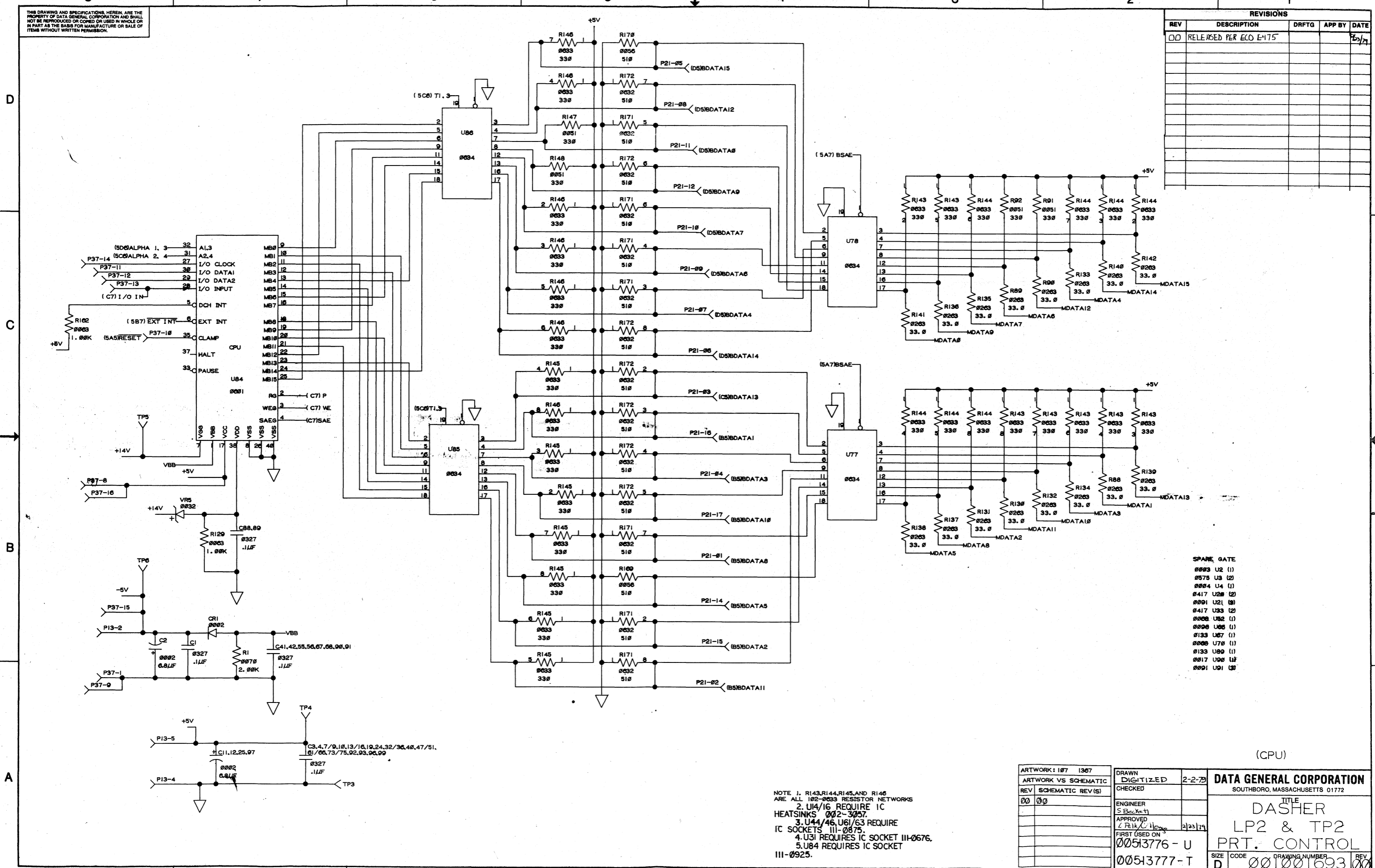


THIS DRAWING AND SPECIFICATIONS, HEREIN, ARE THE PROPERTY OF DATA GENERAL CORPORATION AND SHALL NOT BE REPRODUCED OR COPIED OR USED IN WHOLE OR IN PART AS THE BASIS FOR MANUFACTURE OR SALE OF ITEMS WITHOUT WRITTEN PERMISSION.

REVISIONS				
REV	DESCRIPTION	DRFTG	APP BY	DATE
00	RELEASED PER ECO E475			2/2/77



SPARE GATE

0003	U2	(1)
0078	U3	(2)
0004	U4	(1)
0417	U20	(2)
0001	U21	(3)
0417	U33	(2)
0006	U02	(1)
0006	U05	(1)
0133	U07	(1)
0006	U70	(1)
0133	U09	(1)
0017	U00	(1)
0001	U01	(3)

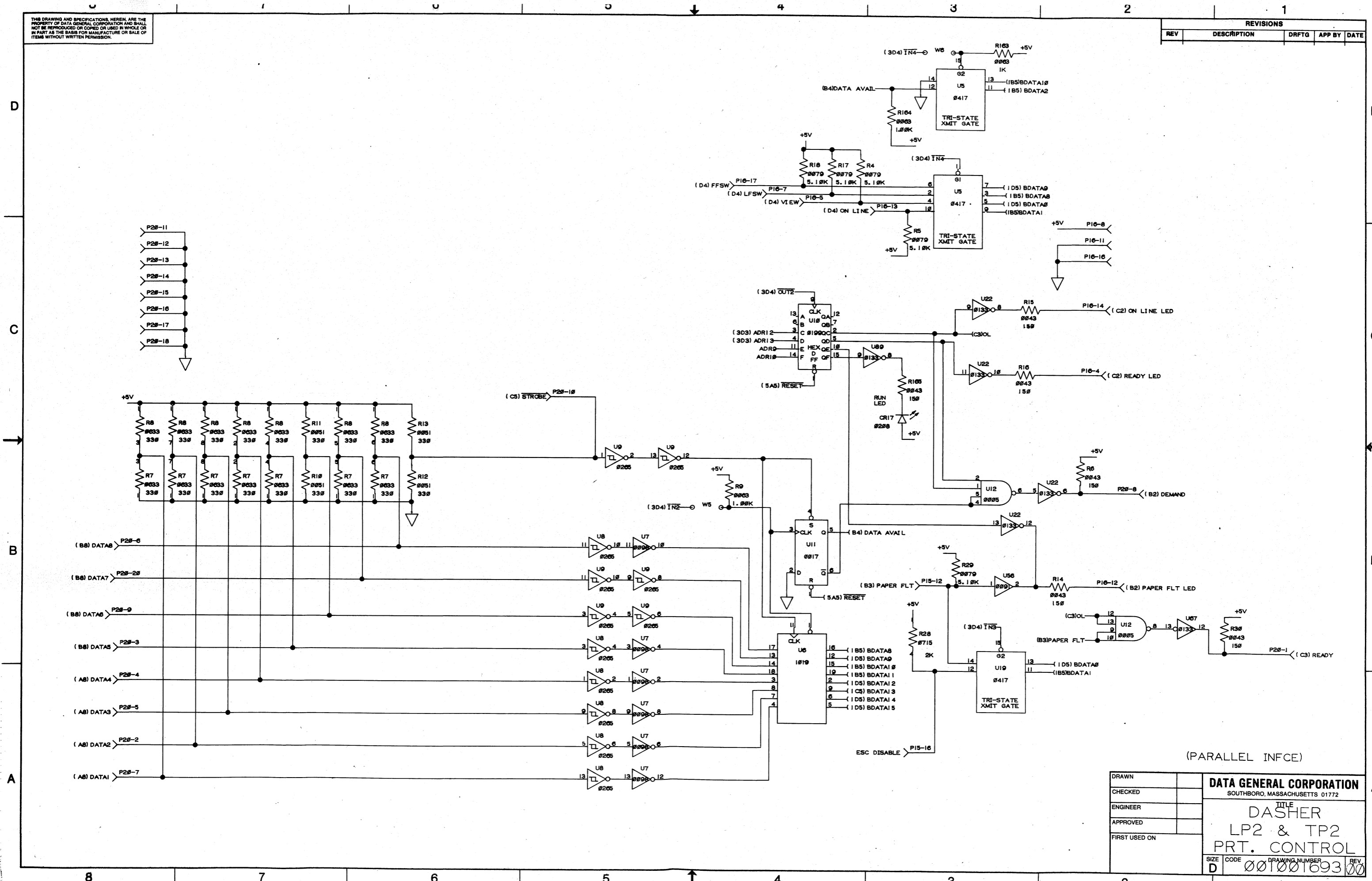
NOTE 1. R143, R144, R145, AND R146 ARE ALL 102-0033 RESISTOR NETWORKS
 2. U14/16 REQUIRE IC HEATSINKS 002-3057.
 3. U44/46, U61/63 REQUIRE IC SOCKETS III-0875.
 4. U31 REQUIRES IC SOCKET III-0676.
 5. U84 REQUIRES IC SOCKET III-0925.

ARTWORK: 107 1367	DRAWN	DIGITIZED	2-2-79	DATA GENERAL CORPORATION SOUTHBORO, MASSACHUSETTS 01772
ARTWORK VS SCHEMATIC	CHECKED			
REV	SCHEMATIC	REV(S)		TITLE DASHER LP2 & TP2 PRT. CONTROL
00	00			
	ENGINEER			FIRST USED ON 00513776 - U 00513777 - T
	APPROVED			
	SIZE	CODE	DRAWING NUMBER	REV
	D		001001693	00

(CPU)

THIS DRAWING AND SPECIFICATIONS, HEREIN, ARE THE PROPERTY OF DATA GENERAL CORPORATION AND SHALL NOT BE REPRODUCED OR COPIED OR USED IN WHOLE OR IN PART AS THE BASIS FOR MANUFACTURE OR SALE OF ITEMS WITHOUT WRITTEN PERMISSION.

REVISIONS				
REV	DESCRIPTION	DRFTG	APP BY	DATE

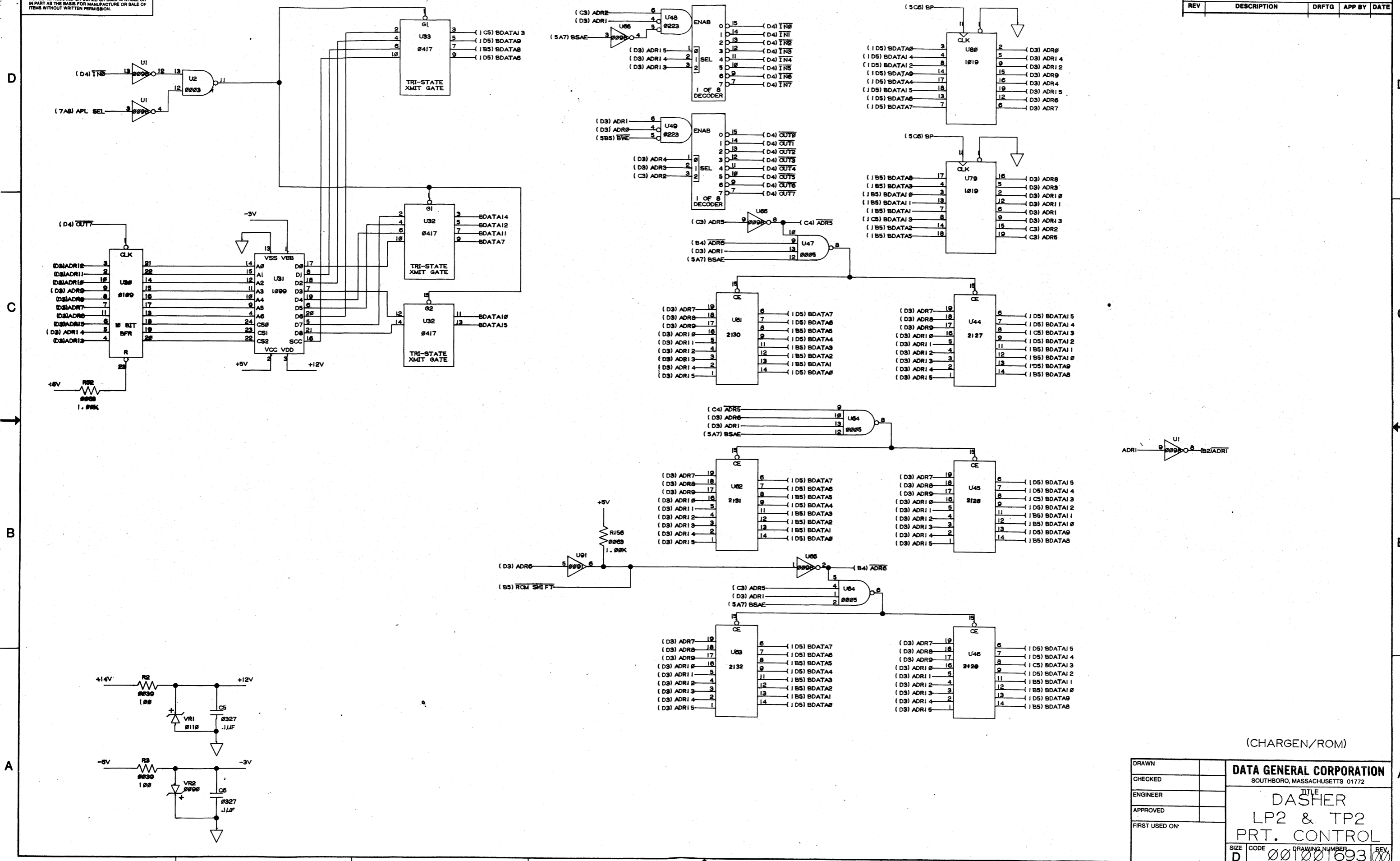


DRAWN		DATA GENERAL CORPORATION		
CHECKED		SOUTHBORO, MASSACHUSETTS 01772		
ENGINEER		TITLE		
APPROVED		DASHER		
FIRST USED ON		LP2 & TP2		
		PRT. CONTROL		
SIZE	CODE	DRAWING NUMBER	REV	
D		001001693	00	

(PARALLEL INFCE)

THIS DRAWING AND SPECIFICATIONS HEREIN ARE THE PROPERTY OF DATA GENERAL CORPORATION AND SHALL NOT BE REPRODUCED OR COPIED OR USED IN WHOLE OR IN PART AS THE BASIS FOR MANUFACTURE OR SALE OF ITEMS WITHOUT WRITTEN PERMISSION.

REVISIONS			
REV	DESCRIPTION	DRFTG	APP BY DATE

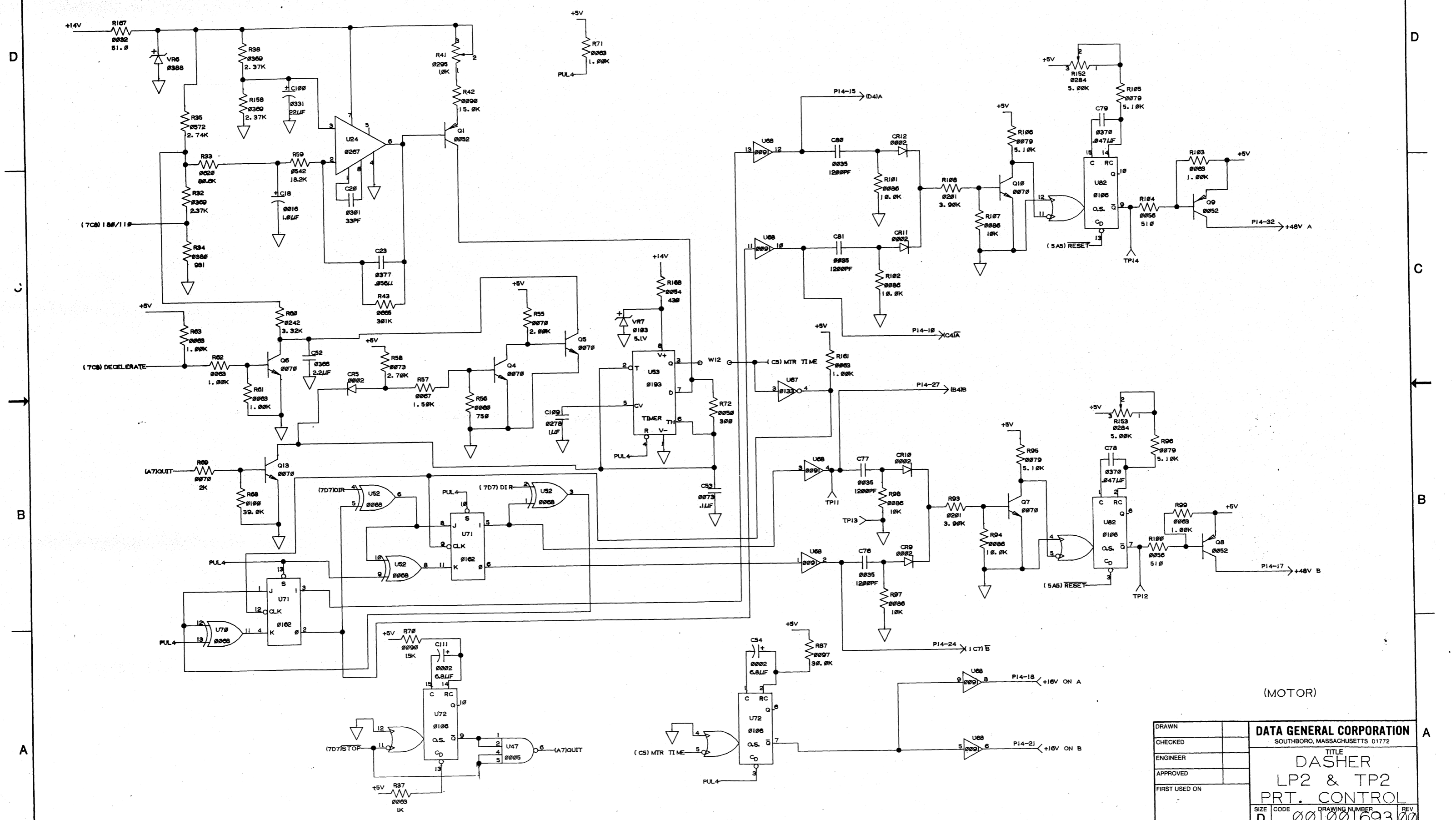


(CHARGEN/ROM)

DRAWN		DATA GENERAL CORPORATION SOUTHBORO, MASSACHUSETTS 01772 TITLE DASHER LP2 & TP2 PRT. CONTROL SIZE CODE DRAWING NUMBER REV D 001001693 00
CHECKED		
ENGINEER		
APPROVED		
FIRST USED ON		

THIS DRAWING AND SPECIFICATIONS HEREIN ARE THE PROPERTY OF DATA GENERAL CORPORATION AND SHALL NOT BE REPRODUCED OR COPIED OR USED IN WHOLE OR IN PART AS THE BASIS FOR MANUFACTURE OR SALE OF ITEMS WITHOUT WRITTEN PERMISSION.

REVISIONS				
REV	DESCRIPTION	DRFTG	APP BY	DATE



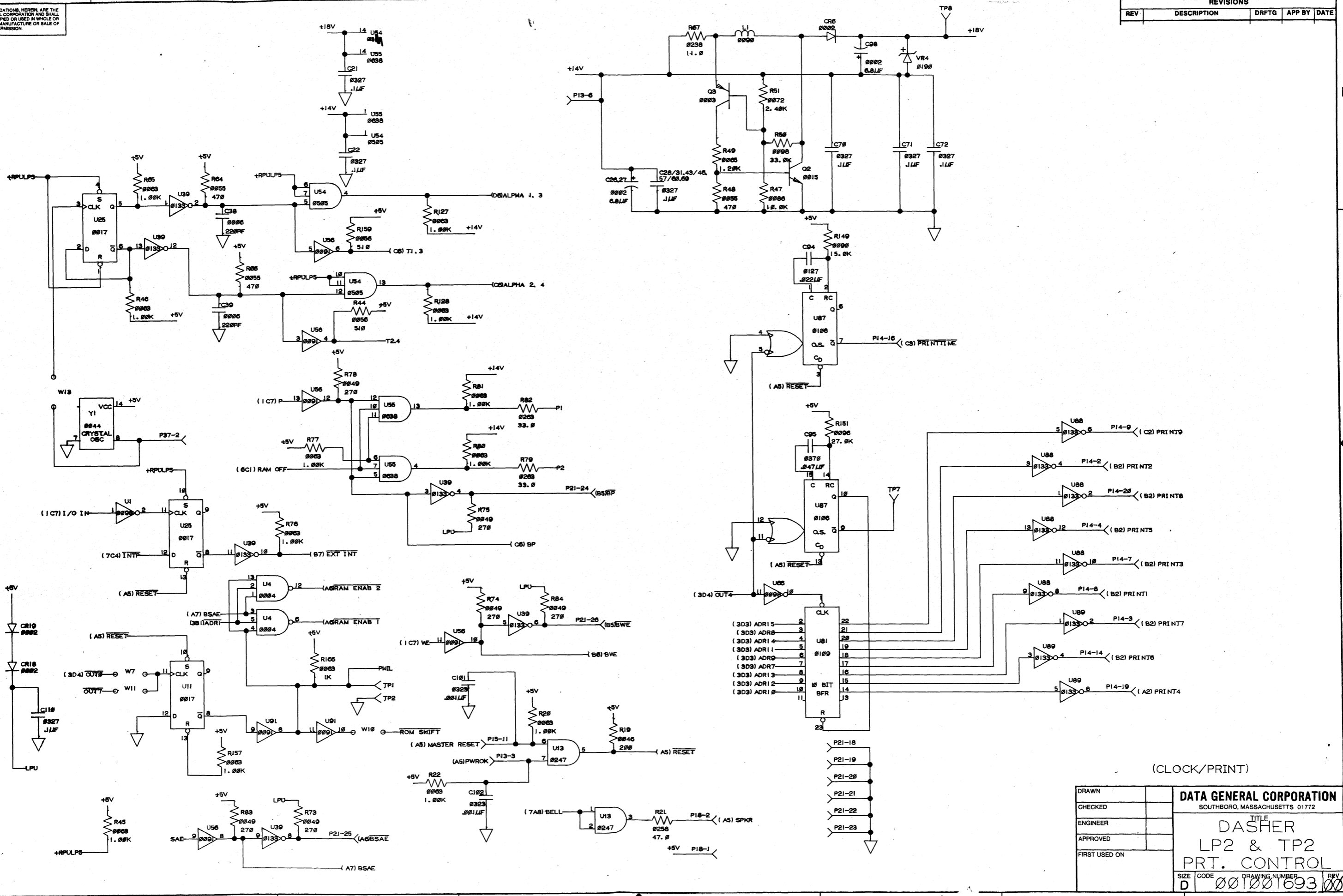
(MOTOR)

DRAWN		DATA GENERAL CORPORATION SOUTHBORO, MASSACHUSETTS 01772 TITLE DASHER LP2 & TP2 PRT. CONTROL	
CHECKED			
ENGINEER			
APPROVED			
FIRST USED ON			
SIZE	CODE	DRAWING NUMBER	REV
D		001001693	00

THIS DRAWING AND SPECIFICATIONS, HEREIN, ARE THE PROPERTY OF DATA GENERAL CORPORATION AND SHALL NOT BE REPRODUCED OR COPIED OR USED IN WHOLE OR IN PART AS THE BASIS FOR MANUFACTURE OR SALE OF ITEMS WITHOUT WRITTEN PERMISSION.

REVISIONS				
REV	DESCRIPTION	DRFTG	APP BY	DATE

D
C
B
A



(CLOCK/PRINT)

DRAWN	
CHECKED	
ENGINEER	
APPROVED	
FIRST USED ON	

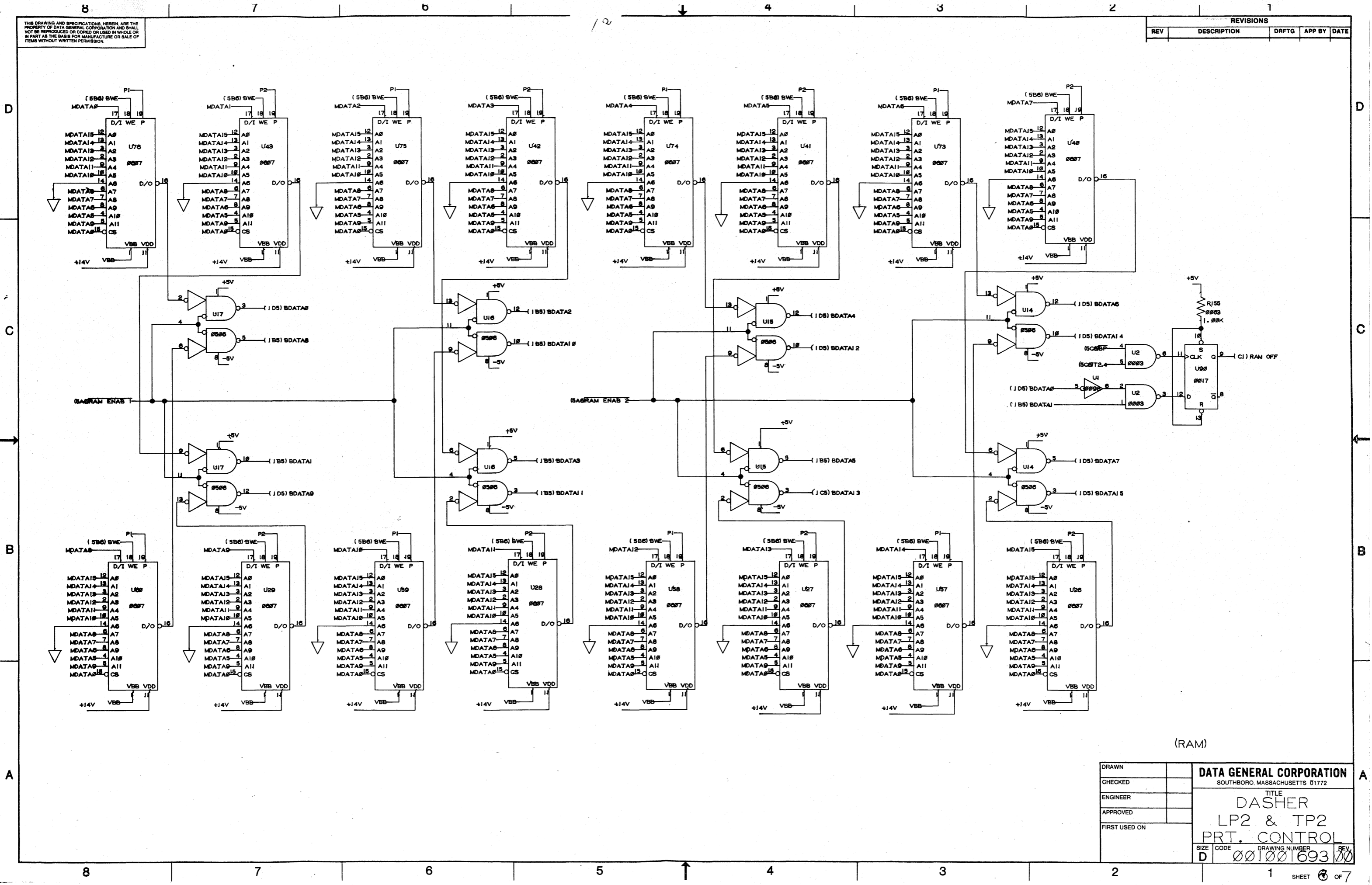
DATA GENERAL CORPORATION
SOUTHBORO, MASSACHUSETTS 01772

TITLE
**DASHER
LP2 & TP2
PRT. CONTROL**

SIZE CODE DRAWING NUMBER REV
D 001001693 00

THIS DRAWING AND SPECIFICATIONS, HEREIN ARE THE PROPERTY OF DATA GENERAL CORPORATION AND SHALL NOT BE REPRODUCED OR COPIED OR USED IN WHOLE OR IN PART AS THE BASIS FOR MANUFACTURE OR SALE OF ITEMS WITHOUT WRITTEN PERMISSION.

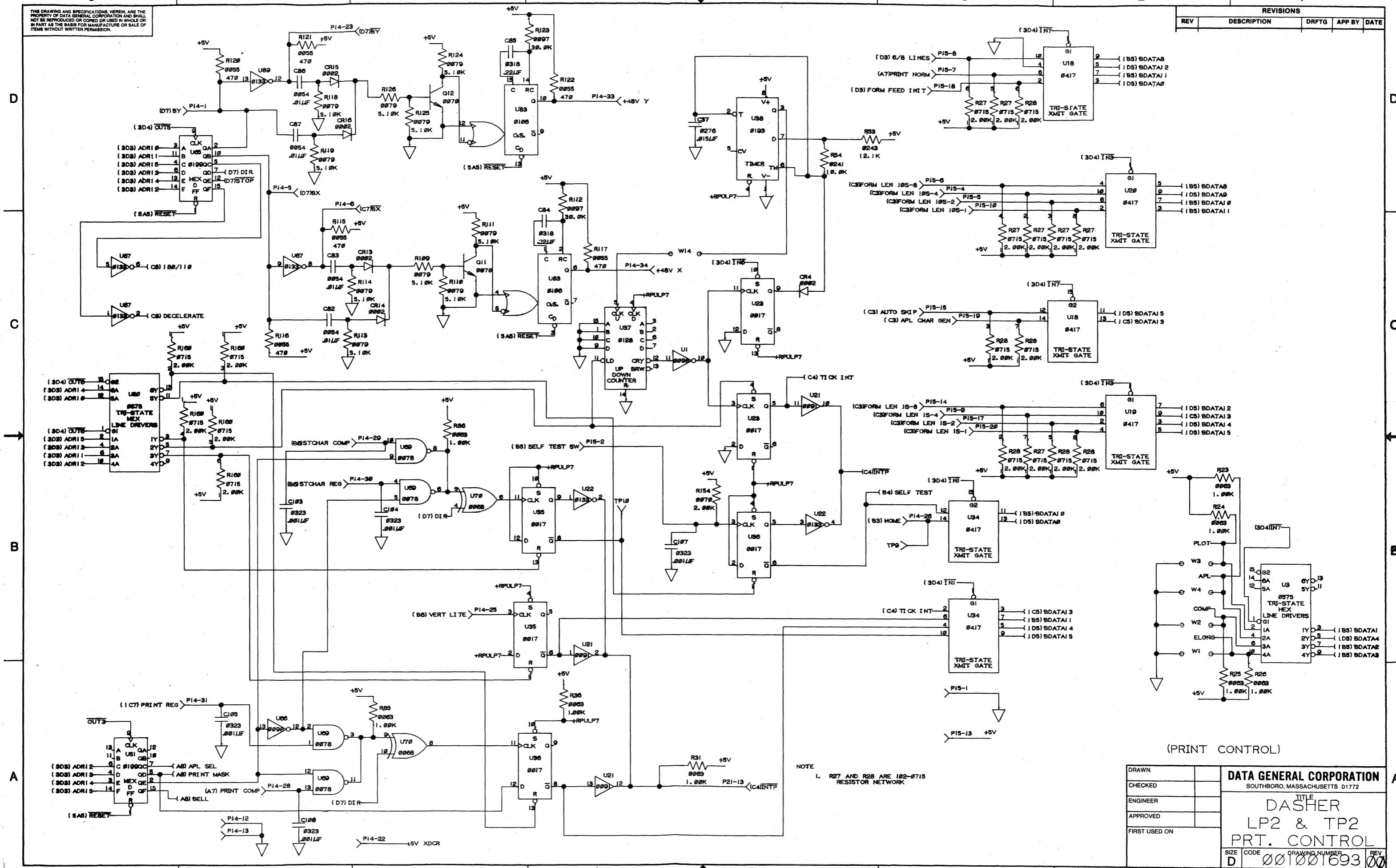
REVISIONS			
REV	DESCRIPTION	DRFTG	APP BY DATE



DRAWN		DATA GENERAL CORPORATION SOUTHBORO, MASSACHUSETTS 01772 TITLE DASHER LP2 & TP2 PRT. CONTROL	
CHECKED			
ENGINEER			
APPROVED			
FIRST USED ON			
SIZE	CODE	DRAWING NUMBER	REV
D		001001693	00

THIS DRAWING AND SPECIFICATIONS HEREIN ARE THE PROPERTY OF DATA GENERAL CORPORATION AND SHALL NOT BE REPRODUCED OR COPIED OR USED IN WHOLE OR IN PART AS THE BASIS FOR MANUFACTURE OR SALE OF ITEMS WITHOUT WRITTEN PERMISSION.

REVISIONS				
REV	DESCRIPTION	DRFTG	APP BY	DATE



NOTE
1. R27 AND R28 ARE 102-0715 RESISTOR NETWORK

(PRINT CONTROL)

DRAWN		DATA GENERAL CORPORATION SOUTHBORO, MASSACHUSETTS 01772 TITLE DASHER LP2 & TP2 PRT. CONTROL SIZE CODE DRAWING NUMBER REV D 001001693 00
CHECKED		
ENGINEER		
APPROVED		
FIRST USED ON		