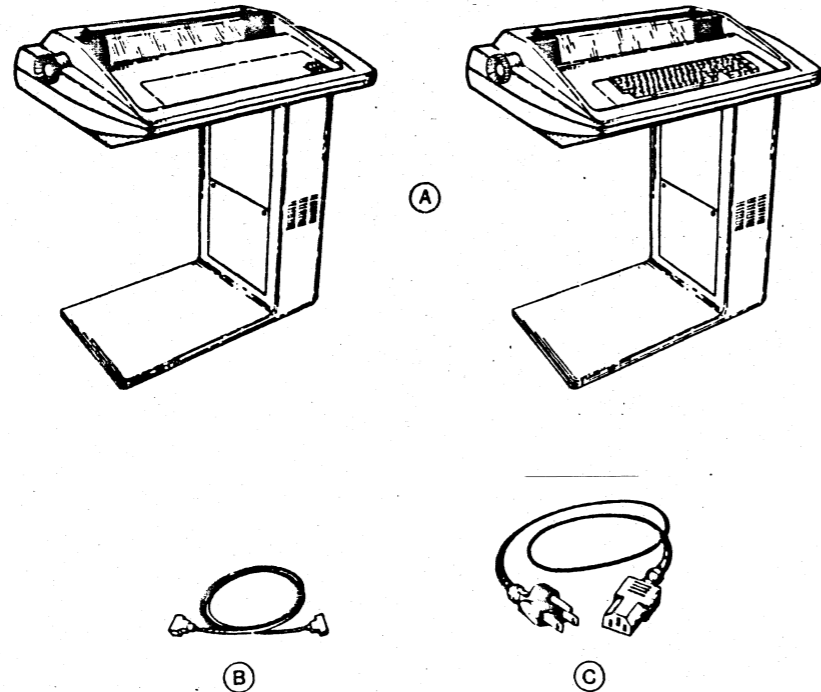


THIS DRAWING AND SPECIFICATIONS HEREIN ARE THE PROPERTY OF DATA GENERAL CORPORATION AND SHALL NOT BE REPRODUCED, COPIED OR USED IN WHOLE OR IN PART AS THE BASIS FOR MANUFACTURE OR SALE OF ITEMS WITHOUT WRITTEN PERMISSION.

REVISIONS				
REV.	DESCRIPTION	DRFTG.	APP. BY	DATE
00	REV. PER ECO P869	S. PAPER	S. P.	7/4/83
01	AS PER ECO P885	D. PAPER	S. P.	7/1/84
02	PER ECO 18119	D. PAPER	S. P.	7/2/84

SUBSYSTEM COMPONENT BREAKDOWN



MAJOR COMPONENT			
ITEM	COMPONENT	MOUNTING LOCATION	NOTES
A	180CPS RO SERIAL PRINTER OR 180CPS KSR TERMINAL	FREE STANDING	

CABLE				
ITEM	CABLE	CONNECTING	MAX LG FT. / M.	NOTES
B	DEVICE CABLE (20MA)	20MA INTERFACE CONNECTOR and PRINTER/TERMINAL	1000 / 305	DEV CABLE VARIES WITH
	DEVICE CABLE (EIA)	EIA INTERFACE CONNECTOR " PRINTER/TERMINAL	50 / 152	1) COMPUTER
	DEVICE CABLE (MODEM)	MODEM CONNECTOR CABLE " PRINTER/TERMINAL	50 / 152	2) INTERFACE
C	POWER	PRINTER TO PRIMARY POWER	7.5 / 2.3	

ATTENTION !
THE LINECORD MAY BE USED AS THE PRIMARY DISCONNECT FROM THE "AC MAINS".

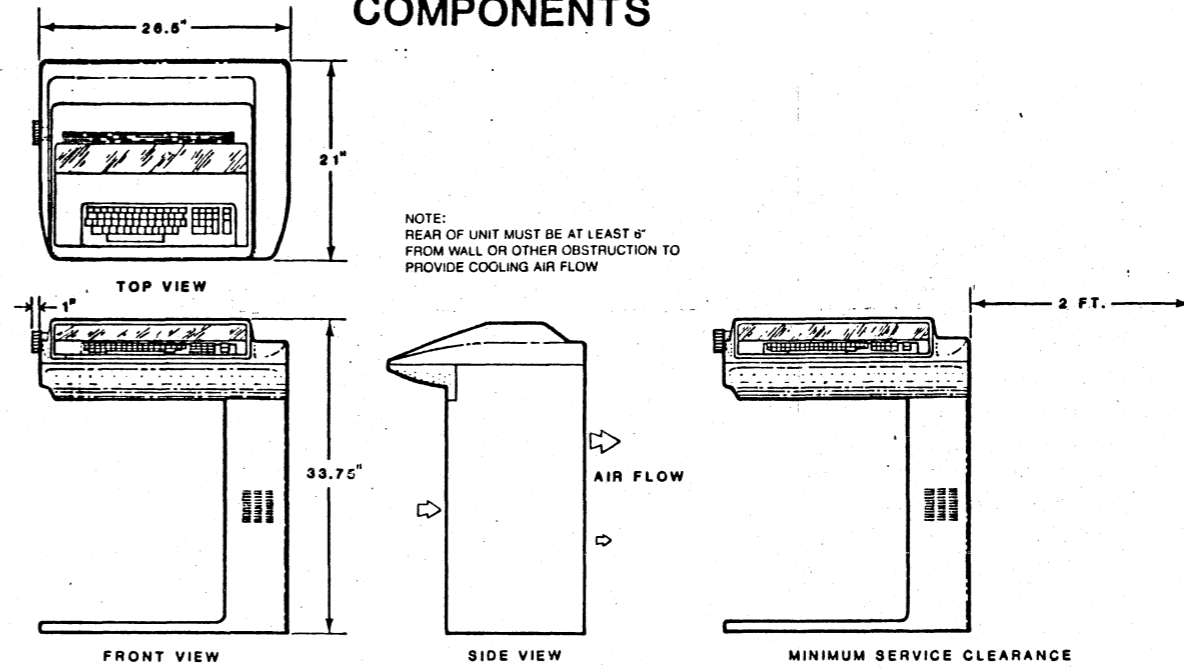
ATTENTION !
VOUS POUVEZ UTILISER LE CORDON D'ALIMENTATION SECTEUR POUR DEBRANCHER L'APPAREIL.

ACHTUNG !
DAS LEITUNGSKABEL KANN ZUM REGULAREN UNTERBRECHEN DES ANSCHLUSSES AN DAS "WECHSELSTROM HAUPTKABEL" BENUTZT WERDEN.

ATTENZIONE !
SE PUOED UTILIZAR EL CABLE DE CORRIENTE PARA DESCONECTAR EL APARATO.

ATTENZIONE !
PER DISCONNETTARVI POTETE DISINNESTARE DIRETTAMENTE IL CAVO DI LINEA DALLA PRESA DI CORRENTE.

SPECIFICATIONS OF FREE-STANDING COMPONENTS



SPECIFICATIONS

DIMENSIONS:	WIDTH	DEPTH	HEIGHT	POWER REQUIREMENTS:
CENTIMETERS	67.31	53.34	85.73	(DOMESTIC)
INCHES	26.50	21.00	33.75	VOLTAGE (47-63Hz)
				HZ
				MAX AMP PER PHASE
				PHASE
				(EXPORT)
				VOLTAGE (47-63Hz)
				HZ
				MAX AMP PER PHASE
				PHASE

WEIGHT:

KILOGRAMS	36.3		
POUNDS	80		

HEAT OUTPUT:

300 WATTS (1023BTU/HR)

OPERATING ENVIRONMENT:

TEMPERATURE (MIN)	10 DEGC (50 DEGF)
TEMPERATURE (MAX)	40 DEGC (104 DE3F)
RELATIVE HUMIDITY (MAX)	90%

CABLES:

PRIMARY POWER DOMESTIC	2.3M (7.5')	CONN 5-15P	MATING CONN 5-15R
------------------------	-------------	------------	-------------------

ITEM	QTY.	DESCRIPTION	PART NO.
DO NOT SCALE DRAWING.			
UNLESS OTHERWISE SPECIFIED USE D.G.C. SPECIFICATION 108 000028 FOR TOLERANCES AND WORKMANSHIP REQUIREMENTS			
DRAWN		MICHAEL LEVENS	6-26-83
CHECKED		<i>[Signature]</i>	<i>[Date]</i>
ENGINEER		<i>[Signature]</i>	<i>[Date]</i>
APPROVED		TRILIAOUR	7-5-83
MATERIAL		FIRST USED ON	
FINISH		SCALE	
SCALE		CODE IDENT.	SIZE
34984		C	010
DRAWING NUMBER		REV.	
000687		OZ	

DATA GENERAL CORPORATION
AUSTIN, TEXAS 78741

TITLE
INSTALLATION DATA SHEET
COMPLIANT DASHER
TP2 PRINTER
ENHANCED MODELS 6193, 6194

THIS DRAWING AND SPECIFICATIONS, HEREIN, ARE THE PROPERTY OF DATA GENERAL CORPORATION AND SHALL NOT BE REPRODUCED OR COPIED OR USED IN WHOLE OR IN PART AS THE BASIS FOR MANUFACTURE OR SALE OF ITEMS WITHOUT WRITTEN PERMISSION.

EXTERNAL CABLING SERIAL INTERFACE CONFIGURATIONS

REV. ECO.	REVISIONS				
	REV.	DESCRIPTION	DRFTG.	APP. BY	DATE

COMPLIANT HOST TO COMPLIANT TP2 CABLE LIST

CPU DESIGNATOR	SYSTEM	CONTROLLER	INTERNAL CABLE	EXTERNAL CABLE MODELS			
				EIARS-232-C S/W BUSY	CURRENT LOOP	EIA RS-232-C HOW BUSY	
70 - 89	MV/10000 MV 8000 II MV 4000	005016650 - IAC-16	005019059 W/O J-BOX	1340	1341	—	
		005014460 - ATI-16**	005019398 W J-BOX	1340	—	—	
		005016746 - IAC-8	005019397 W/O J-BOX	1340	—	—	
		005017342 - AMI-8	005019058 W J-BOX	1340	—	—	
	S-280	PRIMARY CONSOLE	—	—	1340	1341	1340
		005016650 - IAC-16	005019059 W/O J-BOX	1340	1341	—	
		005014460 - ATI-16**	005019398 W J-BOX	1340	—	—	
		005016746 - IAC-8	005019397 W/O J-BOX	1340	—	—	
	S-120 S-140 CS-200A CS-200B NOVA 4	005017342 - AMI-8	005019058 W J-BOX	1340	—	—	
		005017346 - ULM-5	005019565	1340	1341	1340***	
		PRIMARY CONSOLE	—	1340	1341	1340	
		005016650 - IAC-16	005019059 W/O J-BOX	1340	1341	—	
50 - 69	MP 200 MP 100	005014418 - 4336-S	005019985	1340	—	—	
		005015522 - 4316-AS	—	1340	—	—	
	CS-100 S 20	005009656 - 4227	005019984	1340	1341	1340***	
		005014485 - 4227-S	—	1340	—	—	
	MODEM	005007105 - 4207*	005019971	1340	1341	1340***	
		005013951 - 4207-S*	—	1340	—	—	
		PRIMARY CONSOLE	—	1340	1341	1340	
		—	—	1338	—	—	

EXTERNAL CABLE MODEL NUMBERS

MODEL NUMBER	ASSEMBLY	WIRE LIST	LENGTH	DESCRIPTION	NOTES
1241	005-13270	018-648	18"	25 PIN "D" TO 13 PIN AMP	HOST END ADAPTER CABLE, EIA RS-232-C
1242	005-13272	018-650	18"	25 PIN "D" TO 12 PIN AMP	HOST END ADAPTER CABLE, 20 MA CURRENT LOOP
1243	005-13271	018-649	18"	25 PIN "D" TO 13 PIN AMP	HOST END ADAPTER CABLE, EIA RS-232-C
1244	005-13273	018-651	18"	25 PIN "D" TO 6 PIN AMP	HOST END ADAPTER CABLE, EIA RS-232-C
1245	005-13274	018-652	18"	25 PIN "D" TO 12 PIN AMP	HOST END ADAPTER CABLE, 20 MA CURRENT LOOP
1257	005-13389	018-690	18"	25 PIN "D" TO 13 PIN AMP	HOST END ADAPTER CABLE, EIA RS-232-C
1338	005-13268	018-643	25'	25 PIN "D" MOLDED TO 25 PIN "D" MOLDED	MODEM CABLE, EIA RS-232-C
1340	005-13258	018-660	25'	25 PIN "D" MOLDED TO 25 PIN "D" MOLDED	STANDARD CABLE, EIA RS-232-C
1340-A	005-13321	018-660	50'	25 PIN "D" MOLDED TO 25 PIN "D" MOLDED	STANDARD CABLE, EIA RS-232-C
1340-S	005-13325	018-660	5'	25 PIN "D" MOLDED TO 25 PIN "D" MOLDED	STANDARD CABLE, EIA RS-232-C
1340-T	005-13315	018-660	15'	25 PIN "D" MOLDED TO 25 PIN "D" MOLDED	STANDARD CABLE, EIA RS-232-C
1341	005-13260	018-637	25'	25 PIN "D" MOLDED TO 25 PIN "D" MOLDED	STANDARD CABLE, 20 MA CURRENT LOOP
1341-A	005-13282	018-670	50'	25 PIN "D" MOLDED TO 25 PIN "D" MOLDED	THESE ARE EXTENSION CABLES FOR MODEL 1341. THEY ARE ATTACHED TO 1341 TO EXTEND IT BY THE SPECIFIED LENGTH. THE CABLES CAN BE ATTACHED TO EACH OTHER TO OBTAIN LENGTHS LONGER THAN 500 FEET
1341-B	005-13283	018-670	100'	25 PIN "D" MOLDED TO 25 PIN "D" MOLDED	THESE ARE EXTENSION CABLES FOR MODEL 1341. THEY ARE ATTACHED TO 1341 TO EXTEND IT BY THE SPECIFIED LENGTH. THE CABLES CAN BE ATTACHED TO EACH OTHER TO OBTAIN LENGTHS LONGER THAN 500 FEET
1341-C	005-13285	018-670	300'	25 PIN "D" MOLDED TO 25 PIN "D" MOLDED	THESE ARE EXTENSION CABLES FOR MODEL 1341. THEY ARE ATTACHED TO 1341 TO EXTEND IT BY THE SPECIFIED LENGTH. THE CABLES CAN BE ATTACHED TO EACH OTHER TO OBTAIN LENGTHS LONGER THAN 500 FEET
1341-D	005-13284	018-670	500'	25 PIN "D" MOLDED TO 25 PIN "D" MOLDED	THESE ARE EXTENSION CABLES FOR MODEL 1341. THEY ARE ATTACHED TO 1341 TO EXTEND IT BY THE SPECIFIED LENGTH. THE CABLES CAN BE ATTACHED TO EACH OTHER TO OBTAIN LENGTHS LONGER THAN 500 FEET
1342	005-20404	018-1800	5'	25 PIN "D" MOLDED TO 9 PIN "D" MOLDED	SLAVE PRINTER CABLE
1342-A	005-20407	018-1800	50'	25 PIN "D" MOLDED TO 9 PIN "D" MOLDED	
1342-R	005-20403	018-1800	2'	25 PIN "D" MOLDED TO 9 PIN "D" MOLDED	
1342-T	005-20405	018-1800	15'	25 PIN "D" MOLDED TO 9 PIN "D" MOLDED	
1342-U	005-20406	018-1800	25'	25 PIN "D" MOLDED TO 9 PIN "D" MOLDED	SLAVE PRINTER CABLE

- * C9 (CAPACITOR) MUST BE REMOVED FROM 4207 AND 4207-S FOR CURRENT LOOP OPERATION.
- ** DAUGHTER BOARD FOR ATI-16 RS-232-C OPERATION IS 005-5464
DAUGHTER BOARD FOR ATI-16 CURRENT LOOP OPERATION IS 005-14464
- *** CLEAR TO SEND SIGNAL MUST BE ENABLED WITH APPROPRIATE JUMPER(S)

NON-COMPLIANT HOST TO COMPLIANT TP2 EXTERNAL CABLE LIST

CPU DESIGNATOR	SYSTEM	CONTROLLER	INTERNAL CABLE	EXTERNAL CABLE MODEL (3) REQUIRED			
				EIA RS-232-C S/W BUSY	CURRENT LOOP	EIA RS-232-C H/W BUSY	
13 - 14 20 - 22	MV 8000 MV 6000	005016764 - IAC-8	005014115	1340	—	—	
		005016650 - IAC-16	005014111	1340	1341	—	
		005017342 - AMI-8	005014115	1340	—	1340***	
		005014460 - ATI-16*	005014111	1340	1341	—	
	M 600 C 350 S 250 S 140 S 120 CS 200A CS 200B NOVA 4	PRIMARY CONSOLE	—	—	1340	1341	1340
		005005458 - ALM-8	NO INTERNAL CABLE	1241 AND 1340	—	—	1241 & 1340
		005013703	OR 005010710	1340	—	—	1340
		005005460 - ALM-16	NO INTERNAL CABLE	1244 AND 1340	1245 AND 1341	—	—
	S 140, S 120 CS 200A CS 200B NOVA 4	005013704	OR 005010708	1340	1341	—	—
		005017346 - ULM-5	005012765	1243 AND 1340	1242 AND 1341	1241 & 1340	—
		005013529	—	1340	134	1340	—
		005014460 - ATI-16*	005014111	1340	1341	—	—
40 - 41	MP 200 MP 100 CS 100 S 20	005014418 - 4336-S	005014416	1340	—	—	
		005015522 - 4336-AS	005014416	1340	—	—	
	005009656 - 4227	005009654	1243 AND 1340	1242 AND 1341	1241 & 1340	—	
	005014485 - 4227-S	—	1243 AND 1340	1242 AND 1341	1241 & 1340	—	
	005007105 - 4207*	005007506	1243 AND 1340	1242 AND 1341	1241 & 1340	—	
	005013951 - 4207-S**	—	1243 AND 1340	1242 AND 1341	1241 & 1340	—	
05 - 12 20 - 22	NOVA 2,3,4 1210, 1220 S 100, S 200 S 230, C 300 C 330, S 130 S 140, C 150 AP 130	PRIMARY CONSOLE	—	1257 AND 1340	—	1257 & 1340	
		—	—	1340	1341	1340	
42	CS 10 C3	—	—	1340	1341	1340	
—	MODEM	—	—	1338	—	—	

- * DAUGHTER PCB FOR CURRENT LOOP OPERATION IS 005014464
DAUGHTER PCB FOR RS-232 C OPERATION IS 005005464
- ** C9 (CAPACITOR) MUST BE REMOVED FOR CURRENT LOOP OPERATION
- *** CLEAR TO SEND SIGNAL MUST BE ENABLED WITH APPROPRIATE JUMPER(S)

THIRD ANGLE PROJECTION

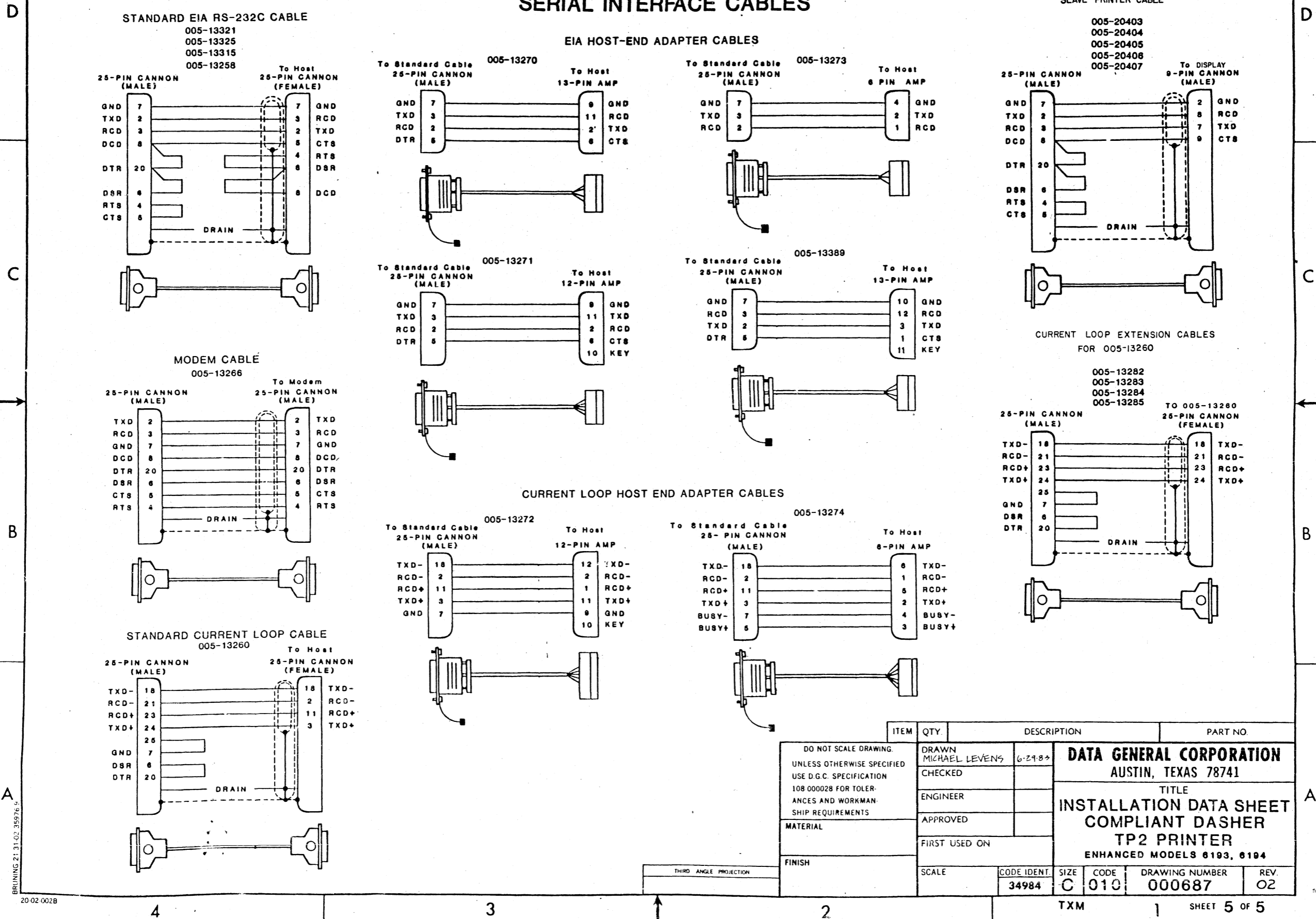
ITEM	QTY.	DESCRIPTION	PART NO.
DO NOT SCALE DRAWING. UNLESS OTHERWISE SPECIFIED USE D.G.C. SPECIFICATION 108-000028 FOR TOLERANCES AND WORKMANSHIP REQUIREMENTS		DRAWN MICHAEL LEVENS 6-29-83	DATA GENERAL CORPORATION AUSTIN, TEXAS 78741
MATERIAL		CHECKED	TITLE INSTALLATION DATA SHEET COMPLIANT DASHER TP2 PRINTER ENHANCED MODELS 8193, 8194
FINISH		ENGINEER	REV. 02
SCALE		APPROVED	DRAWING NUMBER 00G687
CODE IDENT.		FIRST USED ON	REV. 02
34984		SIZE C	CODE 010
TXM		1	SHEET 4 OF 5

BRUNING 21-31-02 35976-9

THIS DRAWING AND SPECIFICATIONS, HEREIN, ARE THE PROPERTY OF DATA GENERAL CORPORATION AND SHALL NOT BE REPRODUCED OR COPIED OR USED IN WHOLE OR IN PART AS THE BASIS FOR MANUFACTURE OR SALE OF ITEMS WITHOUT WRITTEN PERMISSION.

REVISIONS				
REV.	DESCRIPTION	DRFTG.	APP. BY	DATE
REV. ECO.				

EXTERNAL CABLING (Continued) SERIAL INTERFACE CABLES



BRUNING 21-31-02 35276-4

20 02 0028

ITEM	QTY.	DESCRIPTION	PART NO.
DO NOT SCALE DRAWING. UNLESS OTHERWISE SPECIFIED USE D.G.C. SPECIFICATION 108 000028 FOR TOLER- ANCES AND WORKMAN- SHIP REQUIREMENTS		DRAWN MICHAEL LEVENS 6-29-83	DATA GENERAL CORPORATION AUSTIN, TEXAS 78741 TITLE INSTALLATION DATA SHEET COMPLIANT DASHER TP2 PRINTER ENHANCED MODELS 6193, 6194
MATERIAL		CHECKED	
FINISH		ENGINEER	
THIRD ANGLE PROJECTION		APPROVED	
SCALE	CODE IDENT.	SIZE	REV.
	34984	C 010	02