

↓

REVISIONS

PART REV.	DOC REV.	DESCRIPTIONS	DATE	APPROVED
A	A	INITIAL PRODUCTION RELEASE	3/12/81	<i>[Signature]</i>
A1	A1	REVISED PER ECO-416	8-13-81	FV

1. ALL LENGTHS SPECIFIED ARE SPECIFIED.
 NOTES: UNLESS OTHERWISE SPECIFIED

APPROVALS	DATE
DRAWN <i>D. Brooks</i>	3-10-81
CHECKED <i>R. Roach</i>	3-10-81
PRODUCTION <i>R. Roach</i>	3-10-81

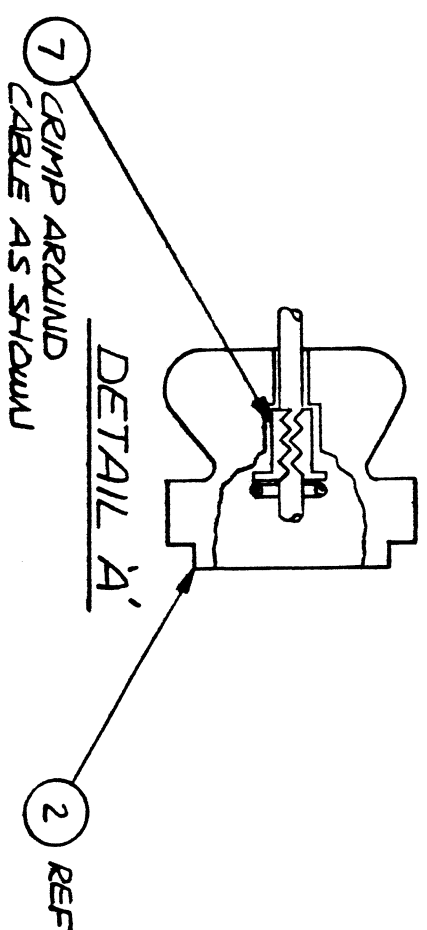
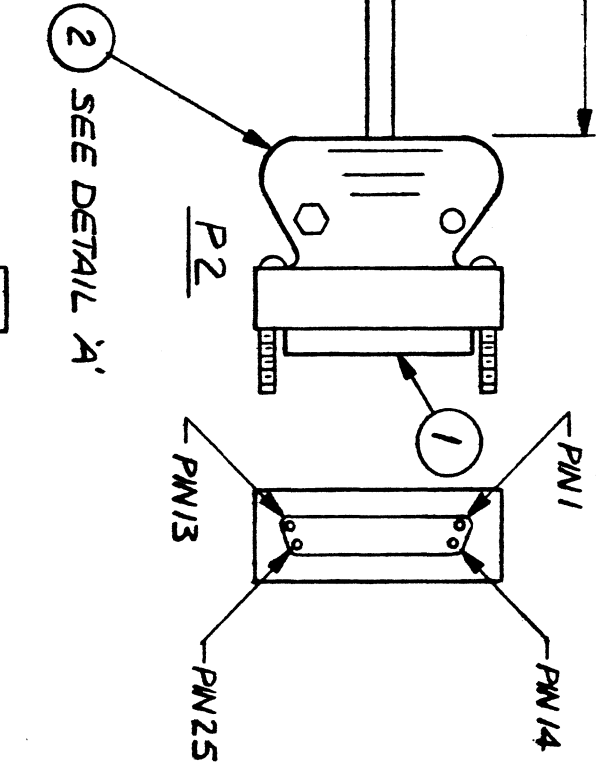
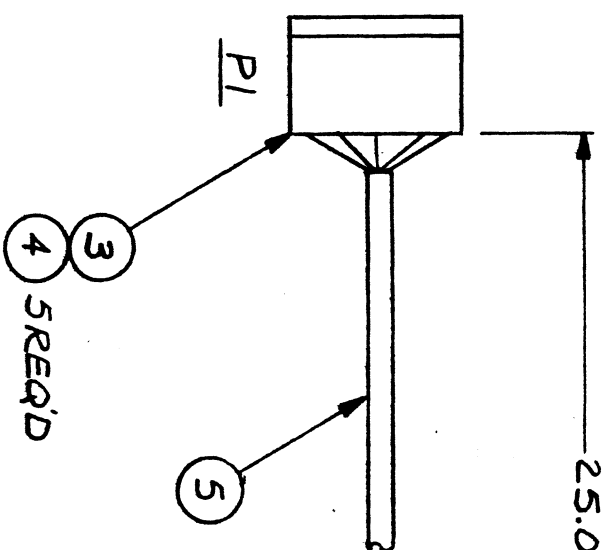
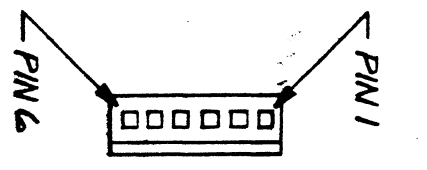
POINT  DATA CORPORATION
 Irvine, California 92714

CABLE ASSY-ASYNC MUX/CRT,
 LINE PRINTER, 25 FT, MARK III

THIS DRAWING AND THE INFORMATION CONTAINED HEREIN ARE PROPRIETARY TO POINT 4 DATA CORPORATION AND SHALL NOT BE REPRODUCED, COPIED, USED, OR DISCLOSED TO OTHERS WITHOUT THE PRIOR WRITTEN CONSENT OF POINT 4 DATA CORPORATION.

SIZE	SHEET	DRAWING NO.	NEXT ASSEMBLY	REV
A	1 OF 3	25015		A1

↑



WIRE LIST

WIRE NO.	FUNC.	ORIG.	TERM.	DEST.	FUNC.	TERM	AWG	COLOR	LNTH
1	TxD	P1-1	CR	P2-3	RxD	5	22	RED	25.0'
2	RxD	P1-4	CR	P2-2	TxD	5	22	GRN	25.0'
3	CD	P1-2	CR	P2-20	DTR	5	22	WHT	25.0'
4	GND	P1-6	CR	P2-7	GND	5	22	BLK	25.0'
5	CD	P1-2	CR	P1-5	CTS	CR	24	WHT	1.5"

