

EDS-8

301 ASYNCHRONOUS DATA CHANNEL

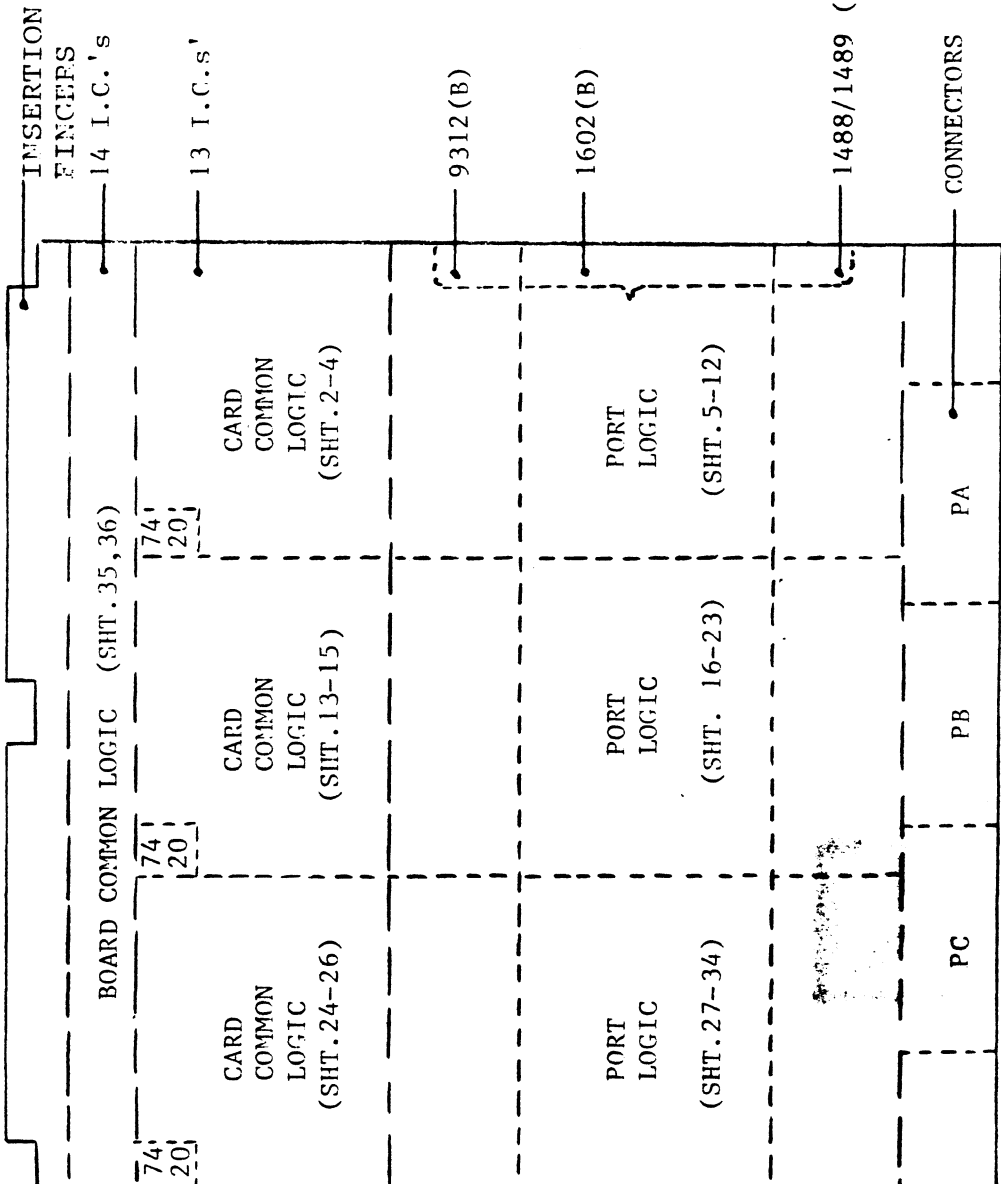
EXPANSION BOARD

SCHEMATICS

## **HISTORY**

The drawings and information contained herein are proprietary to Educational Data Systems and shall not be reproduced, copied, used, or disclosed to others without the prior written consent of Educational Data Systems.

REVISIONS			
PT. DOC	DESCRIPTIONS	DATE	APPR.
A A	PROTOTYPE		
A A1	PHYSICAL LAYOUT SHT ADDED.	8-28-73	B S
A A2	REDRAWN FOR EDS FORMAT	3-18-77	WDA
A A3	SIGNALS ID. PER CARD PORT	6-28-77	WDA
B B	REVISED ARTWORK	12-9-78	WDA/KG
C C	REVISED ARTWORK, ECO 466	1-23-81	LS
C C1	REVISED PER ECO 625	3-5-81	LS



HISTORY

UNLESS OTHERWISE SPECIFIED DIMENSIONS ARE IN INCHES TOLERANCES ARE: .010 .015 .020 .030 .040 .050 .060 .070 .080 .090 .100 .125 .150 .175 .200 .250 .300 .375 .500 .625 .750 .875 1.000 .125 ± .150 ± .175 ± .200 ± .250 ± .300 ± .375 ± .500 ± .625 ± .750 ± .875 ± 1.000 ±

APPROVALS: DRAWN K. GEORGE 10-9-71, CHECKED W. W. 7-2-77, ENG. W. W. 3/25/77

EDUCATIONAL DATA SYSTEMS, INC. Irvine, California 92714

SCHEMATICS, 301-D24, A16, A8 MULTIPLEXER

REF ASSY Drawing No. 30104

BOARD PHYSICAL AOUT

SCALE NONE DO NOT SCALE DRAWING SHEET 1 OF 36



PART INVT.		REV.		DESCRIPTIONS		DATE		APPROVED	

PART INVT.		REV.		DESCRIPTIONS		DATE		APPROVED	

36	SO+	15	A	1	PTSEL(A0)-	5
36	SI+	14	B	2	PTSEL(A1)-	6
36	S2+	13	C	3	PTSEL(A2)-	7
36				4	PTSEL(A3)-	8
36				5	PTSEL(A4)-	9
36				6	PTSEL(A5)-	10
2	CONSTR(A)-	12	D	7	PTSEL(A6)-	11
36				8	PTSEL(A7)-	12

**7442**

36	SO+	15	A	1	INSTR(A0)-	5
36	SI+	14	B	2	INSTR(A1)-	6
36	S2+	13	C	3	INSTR(A2)-	7
36				4	INSTR(A3)-	8
36				5	INSTR(A4)-	9
36				6	INSTR(A5)-	10
2	INSTR(A)-	12	D	7	INSTR(A6)-	11
36				8	INSTR(A7)-	12

**7442**

36	SO+	15	A	1	OUTSTR(A0)-	5
36	SI+	14	B	2	OUTSTR(A1)-	6
36	S2+	13	C	3	OUTSTR(A2)-	7
36				4	OUTSTR(A3)-	8
36				5	OUTSTR(A4)-	9
36				6	OUTSTR(A5)-	10
2	OUTSTR(A)-	12	D	7	OUTSTR(A6)-	11
36				8	OUTSTR(A7)-	12

**7442**

36	SO+	1	A0	4	CONSTR(A0)+	5
36	SI+	2	A1	5	CONSTR(A1)+	6
36	S2+	3	A2	6	CONSTR(A2)+	7
36	PUP	13	D	7	CONSTR(A3)+	8
36				8	CONSTR(A4)+	9
36				9	CONSTR(A5)+	10
2	CONSTR(A)-	14	E	10	CONSTR(A6)+	11
36	GND	15	C	11	CONSTR(A7)+	12

**9334**

36	SO+	1	A0	4	PTON(A0)+	5
36	SI+	2	A1	5	PTON(A1)+	6
36	S2+	3	A2	6	PTON(A2)+	7
36				7	PTON(A3)+	8
36				8	PTON(A4)+	9
36				9	PTON(A5)+	10
2	CONSTR(A)-	14	E	10	PTON(A6)+	11
36	MRSCL-	15	C	11	PTON(A7)+	12

**9334**

36	SO+	1	A0	4	FSO(A0)+	5
36	SI+	2	A1	5	FSO(A1)+	6
36	S2+	3	A2	6	FSO(A2)+	7
36	TD7+	13	D	7	FSO(A3)+	8
36				8	FSO(A4)+	9
2	CONSTR(A)-	14	E	9	FSO(A5)+	10
36	MRSCL-	15	C	10	FSO(A6)+	11
36				11	FSO(A7)+	12

**9334**

36	SO+	1	A0	4	FSI(A0)+	5
36	SI+	2	A1	5	FSI(A1)+	6
36	S2+	3	A2	6	FSI(A2)+	7
36	TD6+	13	D	7	FSI(A3)+	8
36				8	FSI(A4)+	9
2	CONSTR(A)-	14	E	9	FSI(A5)+	10
36	MRSCL-	15	C	10	FSI(A6)+	11
36				11	FSI(A7)+	12

**9334**

36	SO+	1	A0	4	FS2(A0)+	5
36	SI+	2	A1	5	FS2(A1)+	6
36	S2+	3	A2	6	FS2(A2)+	7
36	TD5+	13	D	7	FS2(A3)+	8
36				8	FS2(A4)+	9
2	CONSTR(A)-	14	E	9	FS2(A5)+	10
36	MRSCL-	15	C	10	FS2(A6)+	11
36				11	FS2(A7)+	12

**HISTORY**

DATE	REV.	DESCRIPTIONS	DATE	APPROVED

DATE	REV.	DESCRIPTIONS	DATE	APPROVED

THIS DRAWING AND THE INFORMATION CONTAINED HEREIN ARE UNCLASSIFIED EXCEPT WHERE SHOWN OTHERWISE. DATE OF DECLASSIFICATION INDEFINITE. EMPLOYMENT DATA SYSTEMS

SCALE NONE DO NOT SCALE DRAWING SHEET 3 OF 36

REF. ASSY DRAWING NO. 30104 common logic catg A

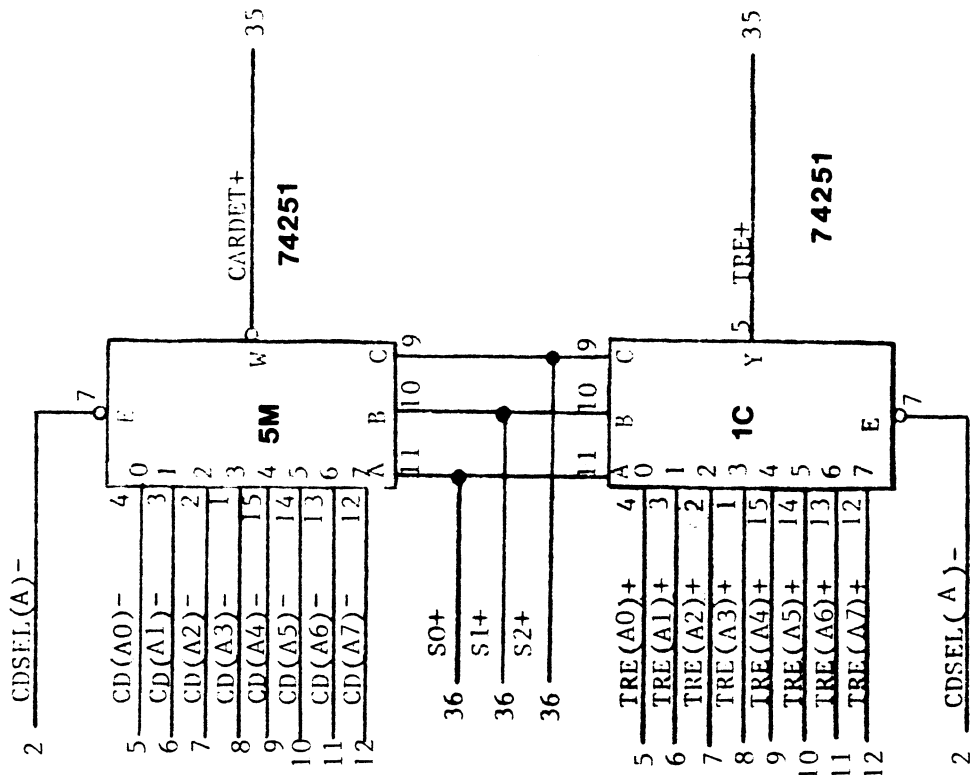
REVISIONS

DESCRIPTIONS

DATE

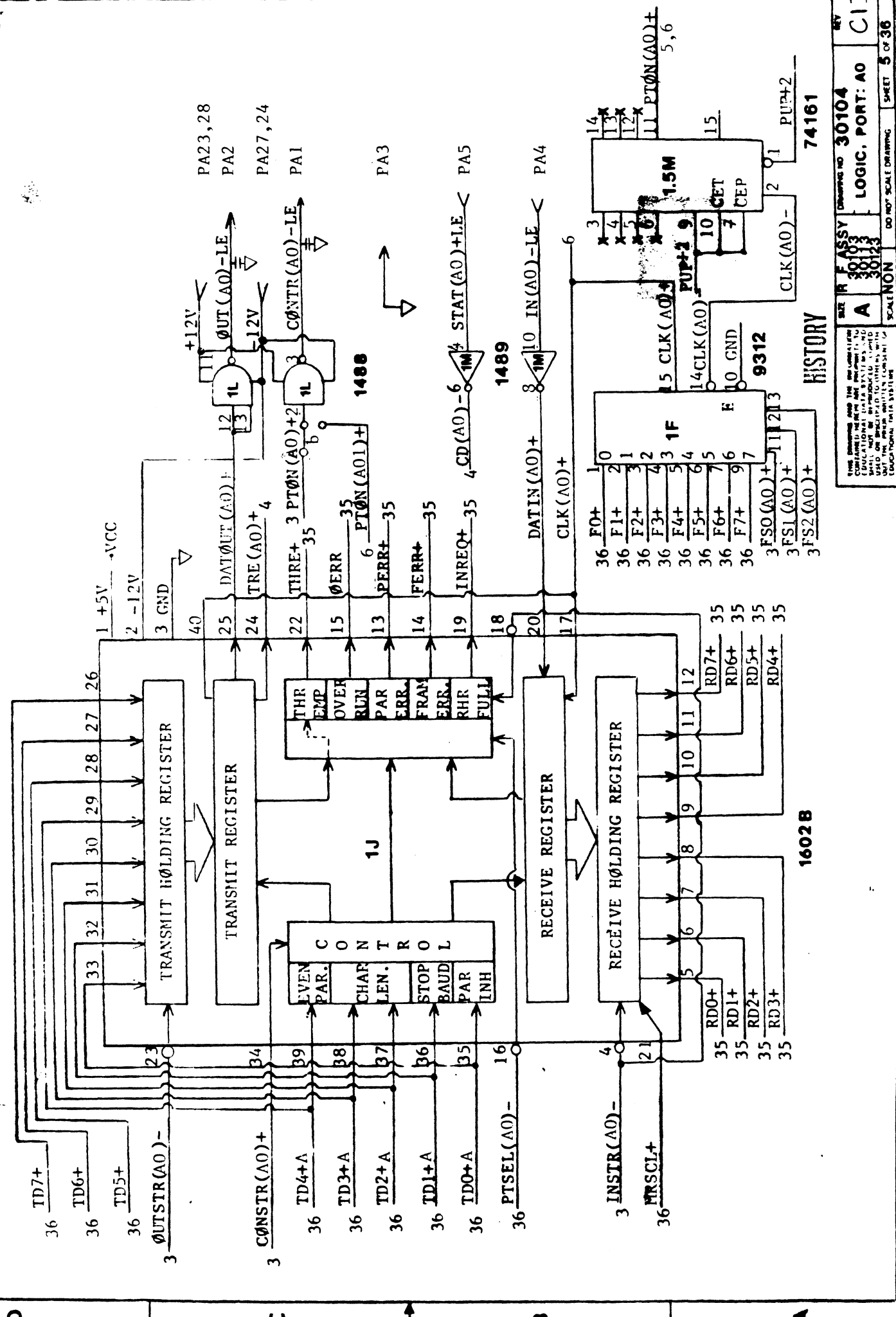
APPROVED

DATE  
REV.



HISTORY

THIS DRAWING AND THE INFORMATION CONTAINED HEREIN ARE PROPERTY OF EDUCATIONAL DATA SYSTEMS. IT IS TO BE USED ONLY FOR THE PROJECT AND SHALL NOT BE REPRODUCED, COPIED, USED, OR DISCLOSED TO OTHERS WITHOUT THE WRITTEN CONSENT OF EDUCATIONAL DATA SYSTEMS.	SCALE	NONE	DO NOT SCALE DRAWING	SHEET	4 OF 3
SIZE	A	REF ASSY	30103 30113 30123	DRAWING NO	30104
REV	C1	COMMON LOGIC	CARD A		



**HISTORY**

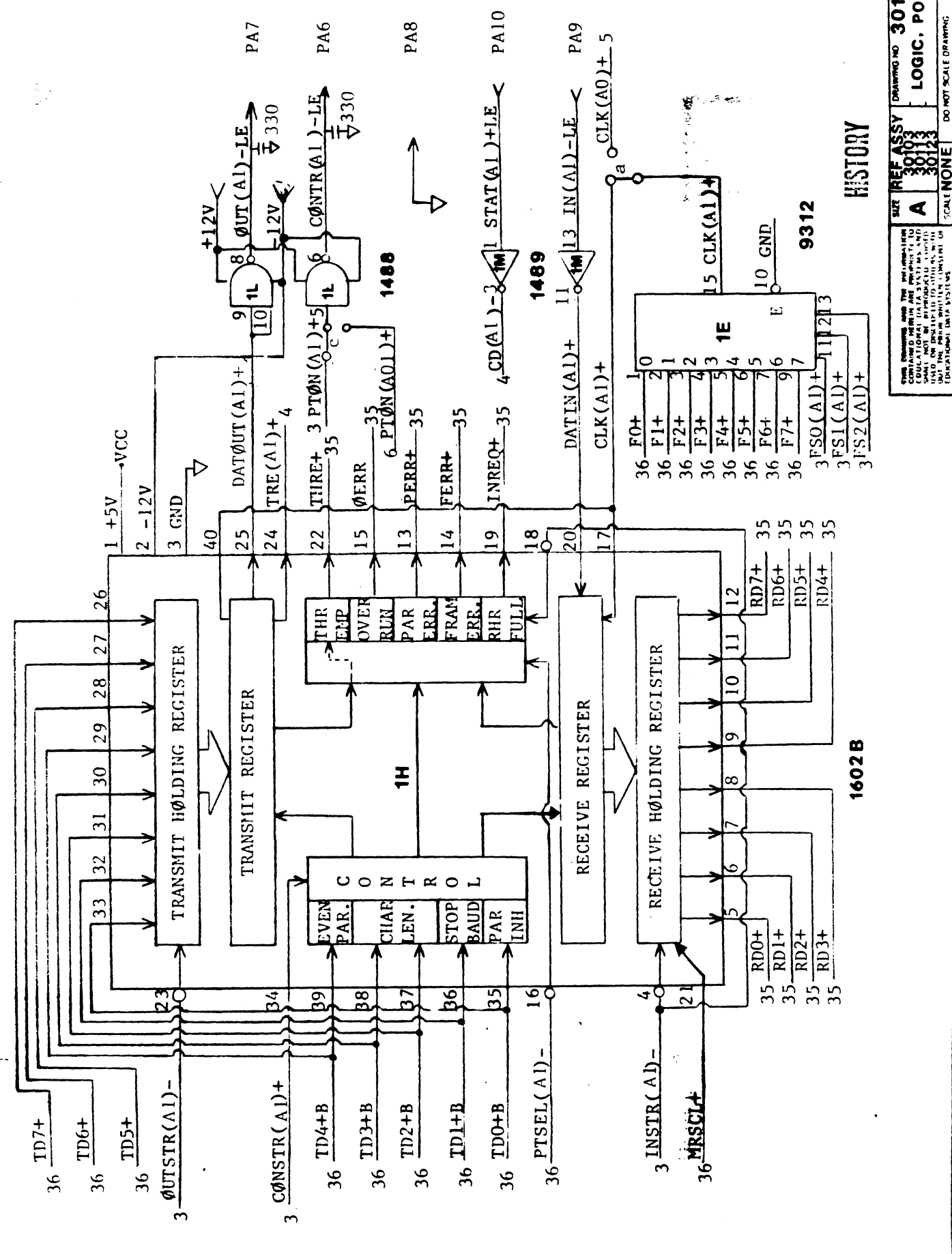
REV	DATE	BY	DESCRIPTION
1	30103	FASSY	LOGIC. PORT: A0
2	30123		

D

C

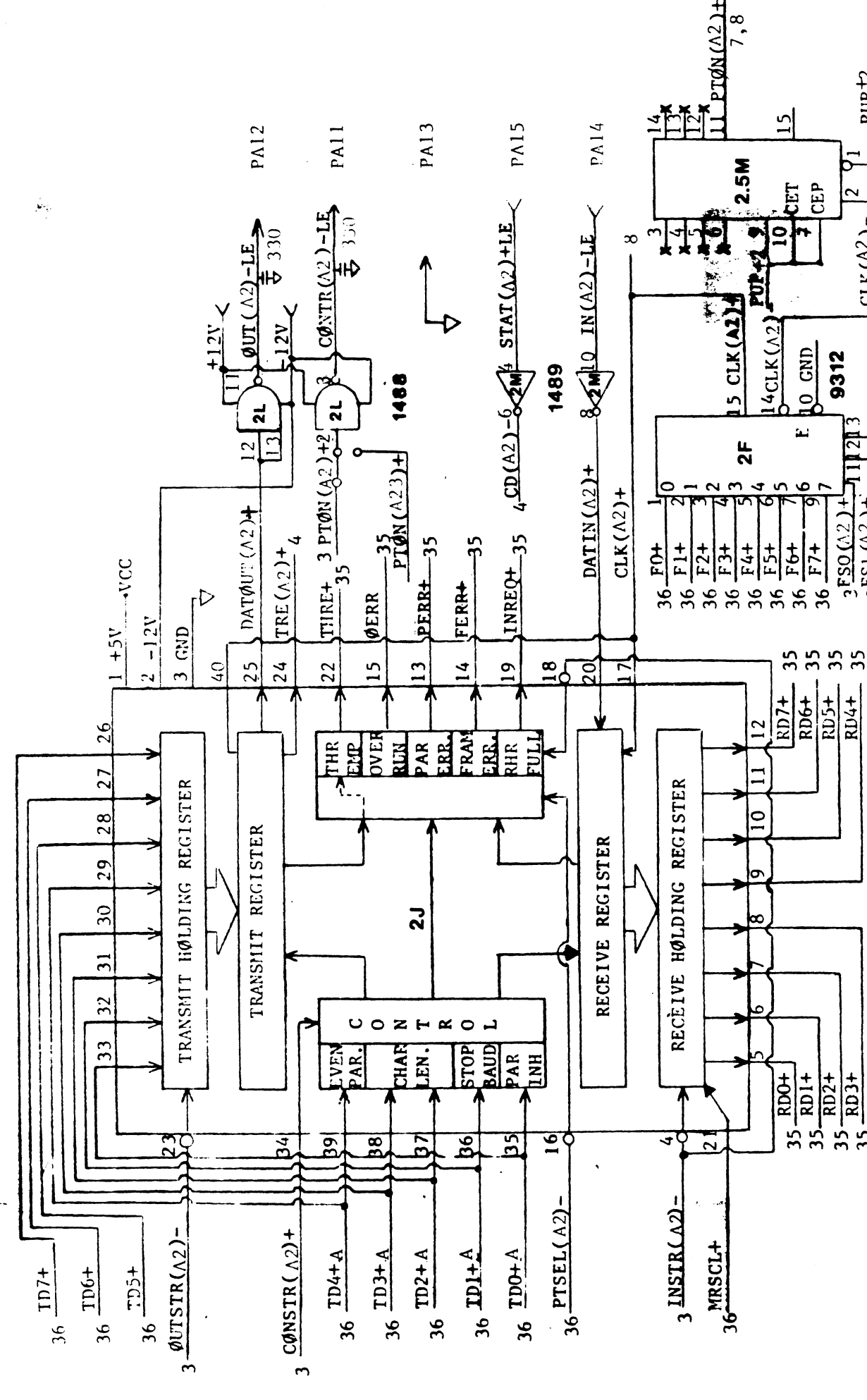
B

A



### HISTORY

REV	30104	DRAWING NO	30104
LOGIC. PORT:	A	SCALE NONE	DO NOT SCALE DRAWING
SHEET	6	OF 36	



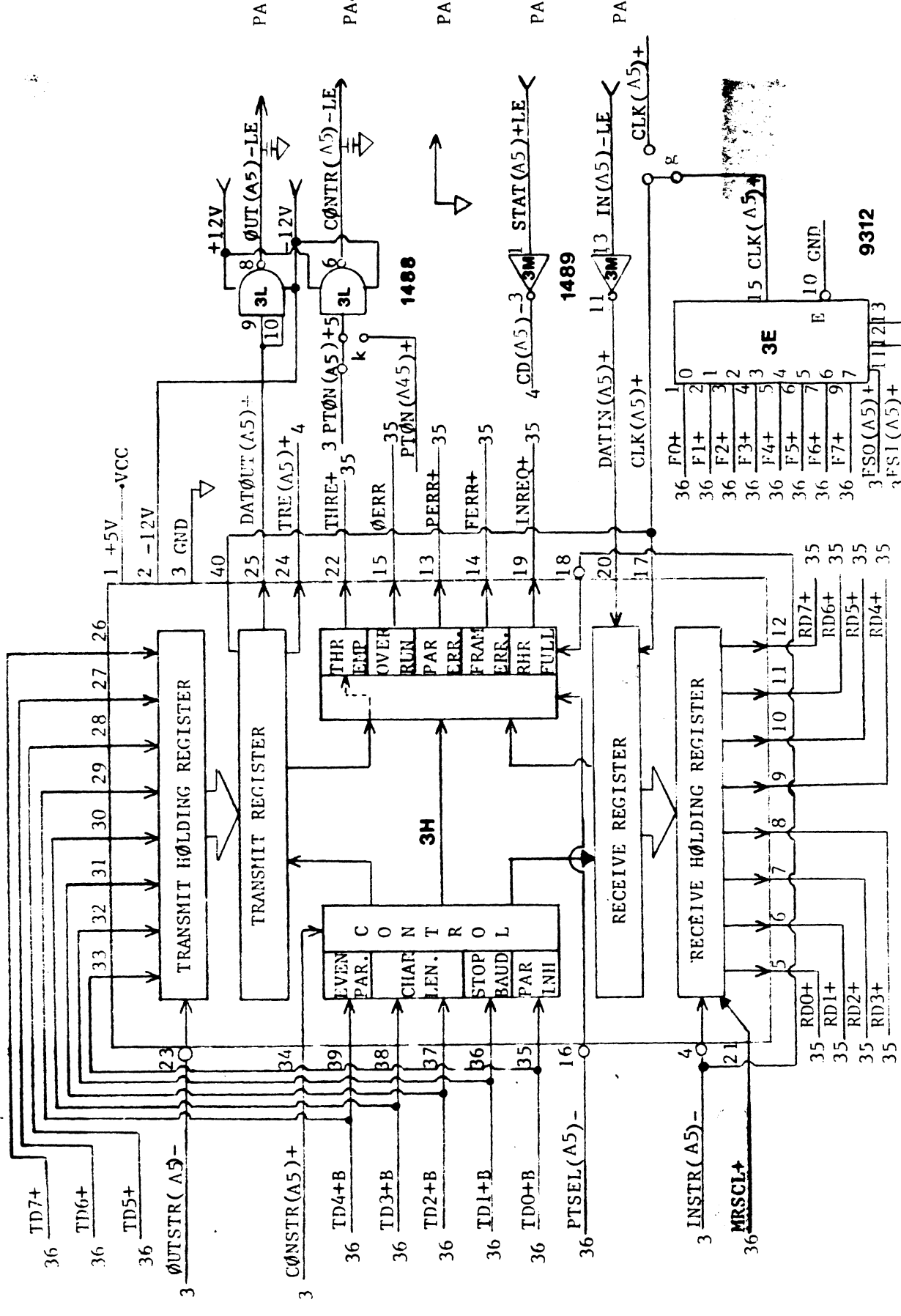
REV	30104	DO NOT SCALE DRAWING	SHEET 7 OF 36
REV	30103		
REV	30102		
REV	30101		
REV	A	LOGIC, PORT: A	C1
REV	A	LOGIC, PORT: A	C1
REV	A	LOGIC, PORT: A	C1
REV	A	LOGIC, PORT: A	C1

EVER PROVIDING AND THE USE OF WATER...  
 CHANGES TO THE ORIGINAL DESIGN...  
 SHALL BE AT THE USER'S RISK...  
 USED OR REPRODUCED TO OTHERS WITH...  
 LOCAL NATIONAL DATA SYSTEMS









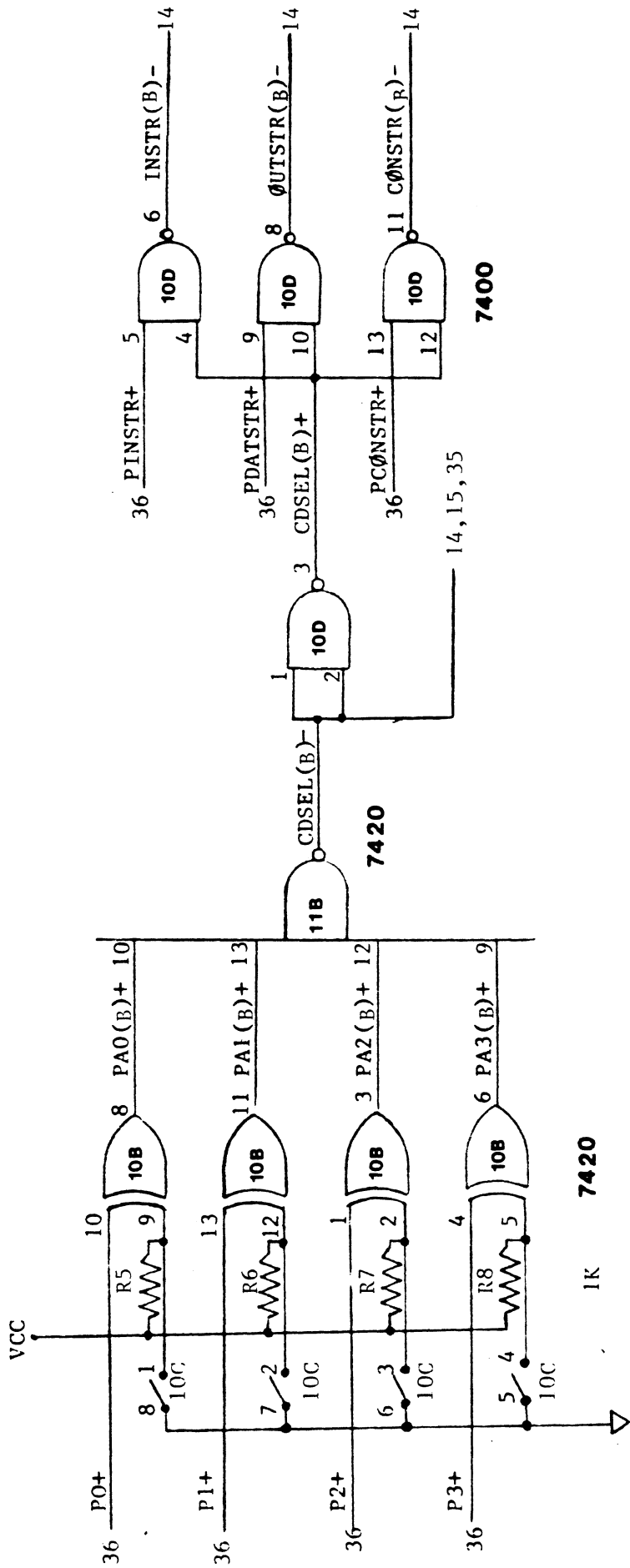
HISTORY

REV	30104	DRWG NO	30104
LOGIC. PORT:	A5	SCALE	NONE
DO NOT SCALE DRAWING		SHEET	10 OF 36

THIS DRAWING AND THE INFORMATION CONTAINED HEREIN ARE UNCLASSIFIED EXCEPT WHERE SHOWN OTHERWISE. DATE OF DECLASSIFICATION IS INDEFINITE. THIS DRAWING IS TO BE USED IN CONJUNCTION WITH THE DRAWING INDICATED IN THE CROSS REFERENCE LISTING.

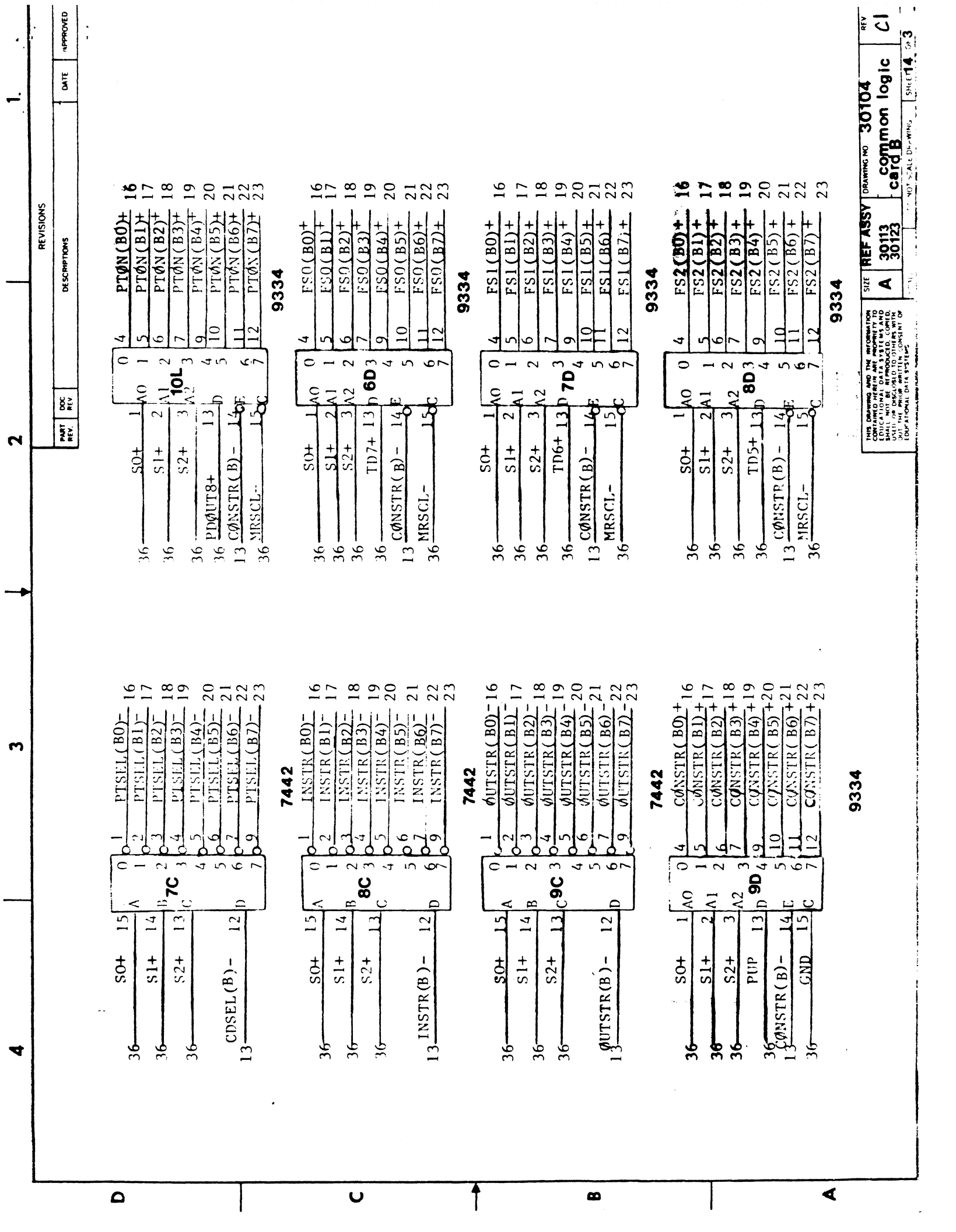






REVISED

THIS DRAWING IS THE PROPERTY OF GENERAL ELECTRIC COMPANY ALL RIGHTS RESERVED NO PART OF THIS DRAWING IS TO BE REPRODUCED OR TRANSMITTED IN ANY FORM OR BY ANY MEANS WITHOUT THE WRITTEN PERMISSION OF GENERAL ELECTRIC COMPANY	SIZE <b>A</b>	REF ASSY <b>30103</b>	DRAWING NO. <b>30104</b>	REV <b>C1</b>
SCALE <b>NONE</b>	DO NOT SCALE DRAWING		SHEET <b>13</b> OF <b>38</b>	



PART REV.		REVISED		DATE		APPROVED	

36	SO+	15	1	PTSEL(B0)-	16
36	S1+	14	2	PTSEL(B1)-	17
36	S2+	13	3	PTSEL(B2)-	18
36			4	PTSEL(B3)-	19
36			5	PTSEL(B4)-	20
36			6	PTSEL(B5)-	21
36			7	PTSEL(B6)-	22
36			8	PTSEL(B7)-	23

**7442**

36	SO+	15	1	INSTR(B0)-	16
36	S1+	14	2	INSTR(B1)-	17
36	S2+	13	3	INSTR(B2)-	18
36			4	INSTR(B3)-	19
36			5	INSTR(B4)-	20
36			6	INSTR(B5)-	21
36			7	INSTR(B6)-	22
36			8	INSTR(B7)-	23

**7442**

36	SO+	15	1	OUTSTR(B0)-	16
36	S1+	14	2	OUTSTR(B1)-	17
36	S2+	13	3	OUTSTR(B2)-	18
36			4	OUTSTR(B3)-	19
36			5	OUTSTR(B4)-	20
36			6	OUTSTR(B5)-	21
36			7	OUTSTR(B6)-	22
36			8	OUTSTR(B7)-	23

**7442**

36	SO+	15	1	CONSTR(B0)+	16
36	S1+	14	2	CONSTR(B1)+	17
36	S2+	13	3	CONSTR(B2)+	18
36			4	CONSTR(B3)+	19
36			5	CONSTR(B4)+	20
36			6	CONSTR(B5)+	21
36			7	CONSTR(B6)+	22
36			8	CONSTR(B7)+	23

36	SO+	1	4	PT0N(B0)+	16
36	S1+	2	5	PT0N(B1)+	17
36	S2+	3	6	PT0N(B2)+	18
36			7	PT0N(B3)+	19
36			8	PT0N(B4)+	20
36			9	PT0N(B5)+	21
36			10	PT0N(B6)+	22
36			11	PT0N(B7)+	23

**9334**

36	SO+	1	4	FS0(B0)+	16
36	S1+	2	5	FS0(B1)+	17
36	S2+	3	6	FS0(B2)+	18
36			7	FS0(B3)+	19
36			8	FS0(B4)+	20
36			9	FS0(B5)+	21
36			10	FS0(B6)+	22
36			11	FS0(B7)+	23

**9334**

36	SO+	1	4	FS1(B0)+	16
36	S1+	2	5	FS1(B1)+	17
36	S2+	3	6	FS1(B2)+	18
36			7	FS1(B3)+	19
36			8	FS1(B4)+	20
36			9	FS1(B5)+	21
36			10	FS1(B6)+	22
36			11	FS1(B7)+	23

**9334**

36	SO+	1	4	FS2(B0)+	16
36	S1+	2	5	FS2(B1)+	17
36	S2+	3	6	FS2(B2)+	18
36			7	FS2(B3)+	19
36			8	FS2(B4)+	20
36			9	FS2(B5)+	21
36			10	FS2(B6)+	22
36			11	FS2(B7)+	23

**9334**

THIS DRAWING AND THE INFORMATION CONTAINED HEREIN ARE UNCLASSIFIED DATA SYSTEMS AND SHALL NOT BE REPRODUCED, COPIED, OR TRANSMITTED IN ANY FORM OR BY ANY MEANS, ELECTRONIC OR MECHANICAL, INCLUDING PHOTOCOPYING, RECORDING, OR BY ANY INFORMATION STORAGE AND RETRIEVAL SYSTEMS.

SIZE **A** REF ASSY **30113** DRAWING NO **30104** REV **C1**  
**common logic**  
**catd B**

NOT SCALE DRAWING SHEET 14 OF 3

REVISIONS

DESCRIPTIONS

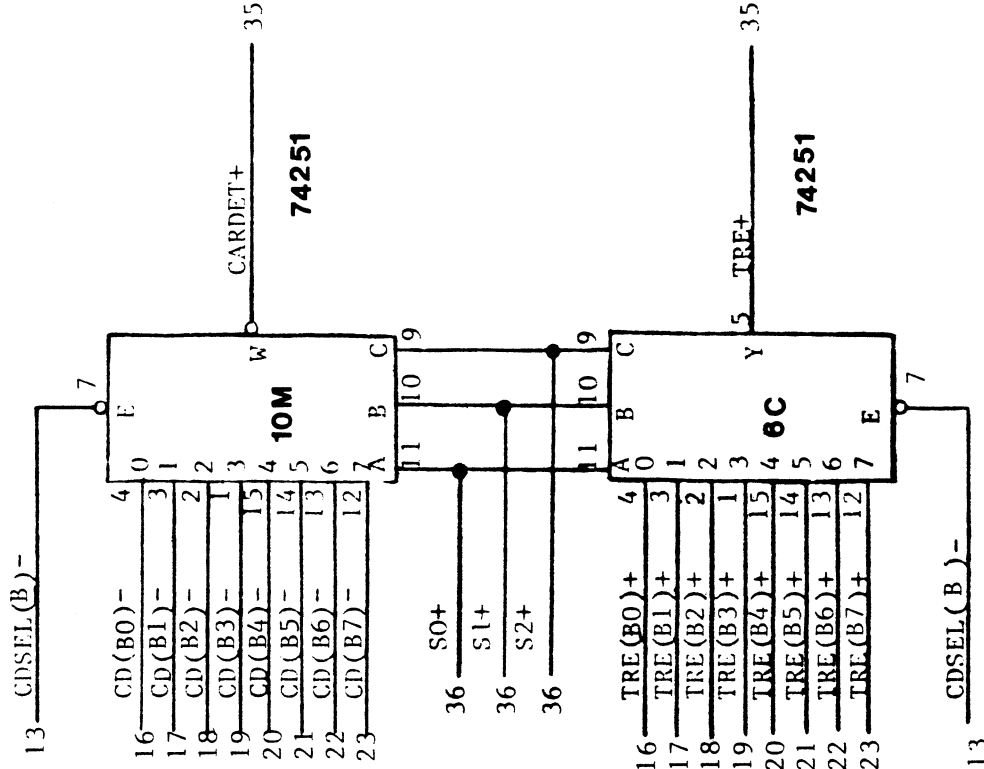
DATE

APPROVED

DOC  
REV

DATE

APPROVED

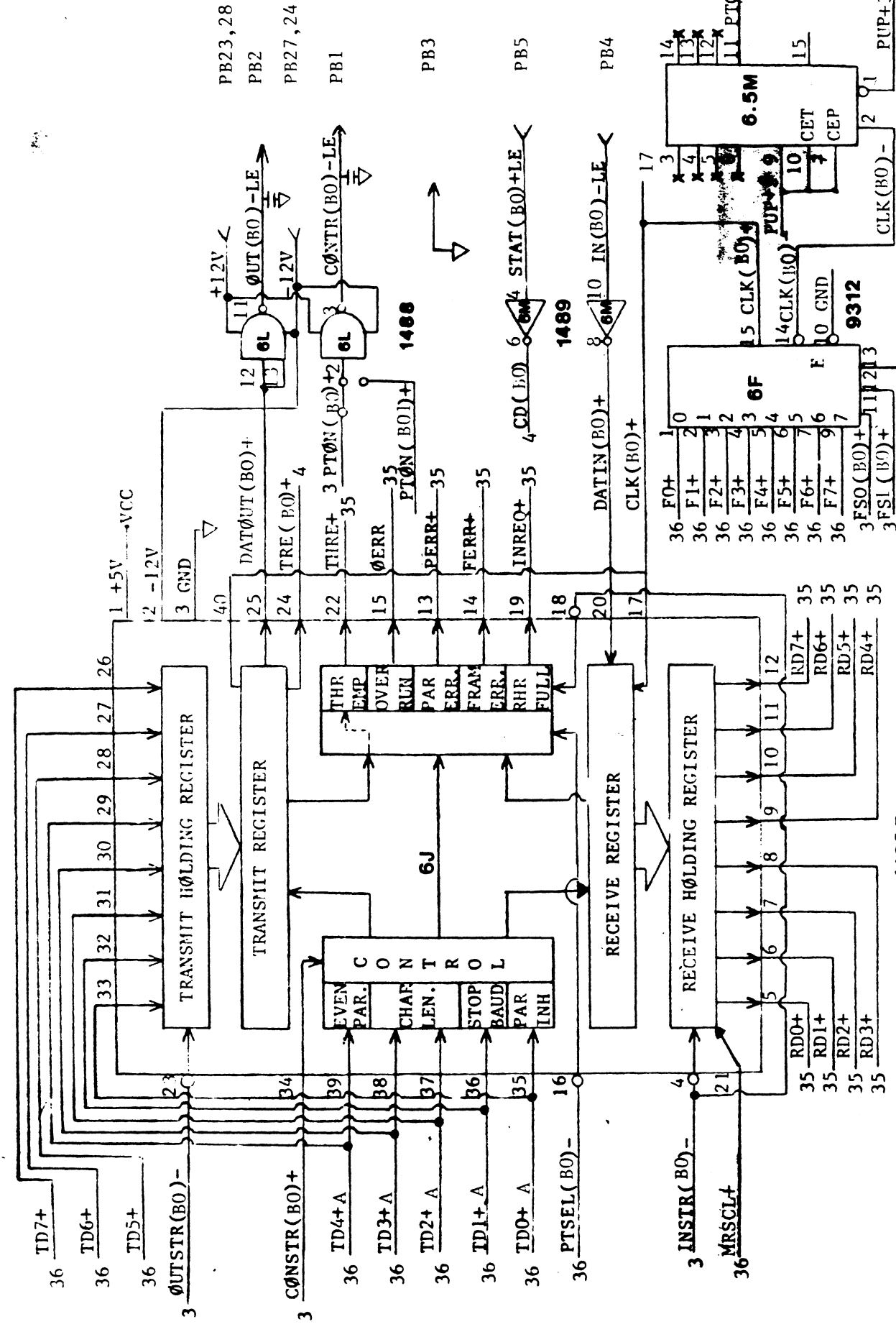


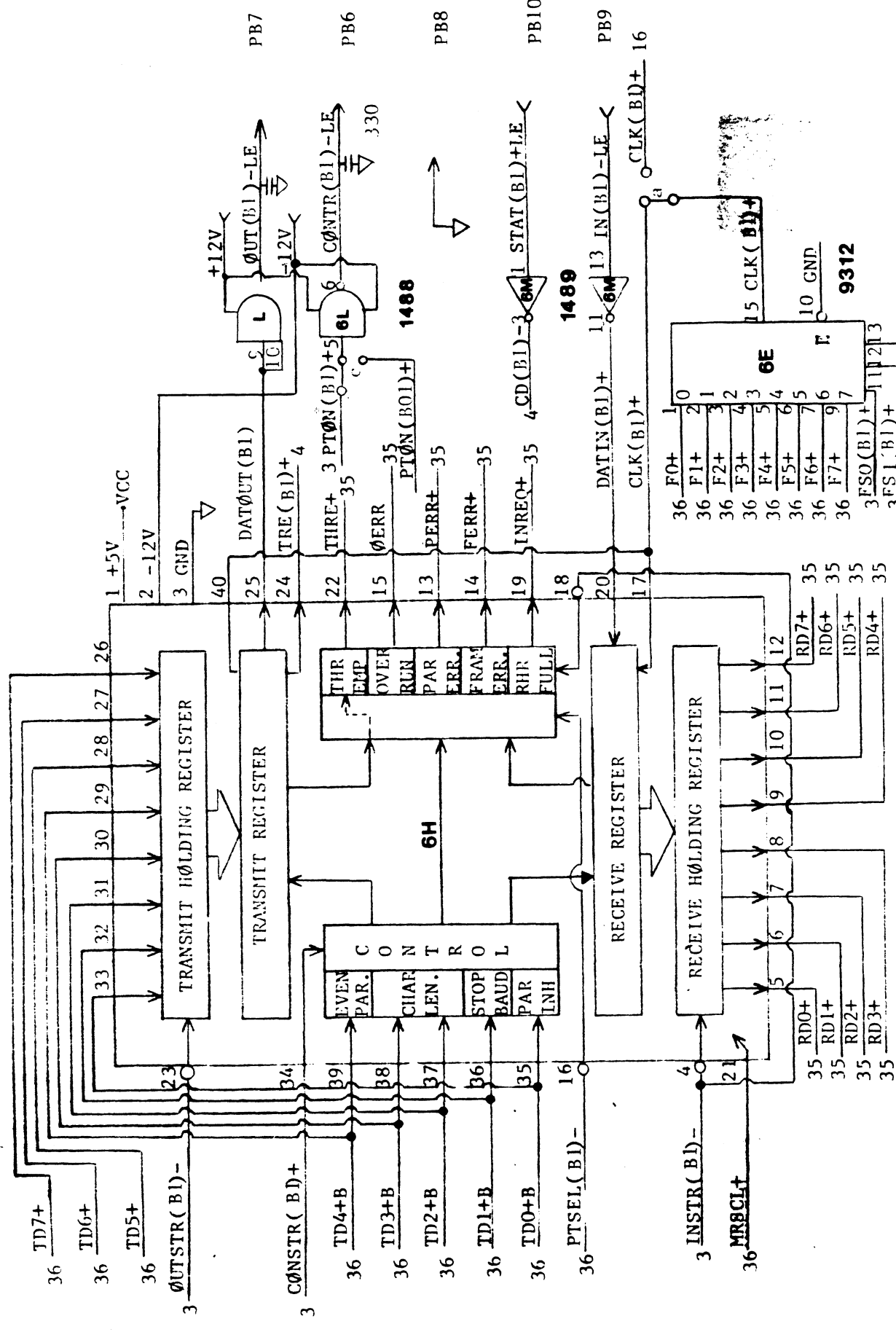
HISTORY

THIS DRAWING AND THE INFORMATION CONTAINED HEREIN ARE PROPERTY OF THE UNITED STATES GOVERNMENT AND ARE NOT TO BE REPRODUCED, COPIED, OR DISCLOSED TO OTHERS WITHOUT THE EXPRESS WRITTEN PERMISSION OF THE NATIONAL BUREAU OF STANDARDS

SIZE	REF ASSY	DRAWING NO	REV
A	13	30104	C1
SCALE	O	DO NOT SCALE DRAWING	SHEET 15 OF 36

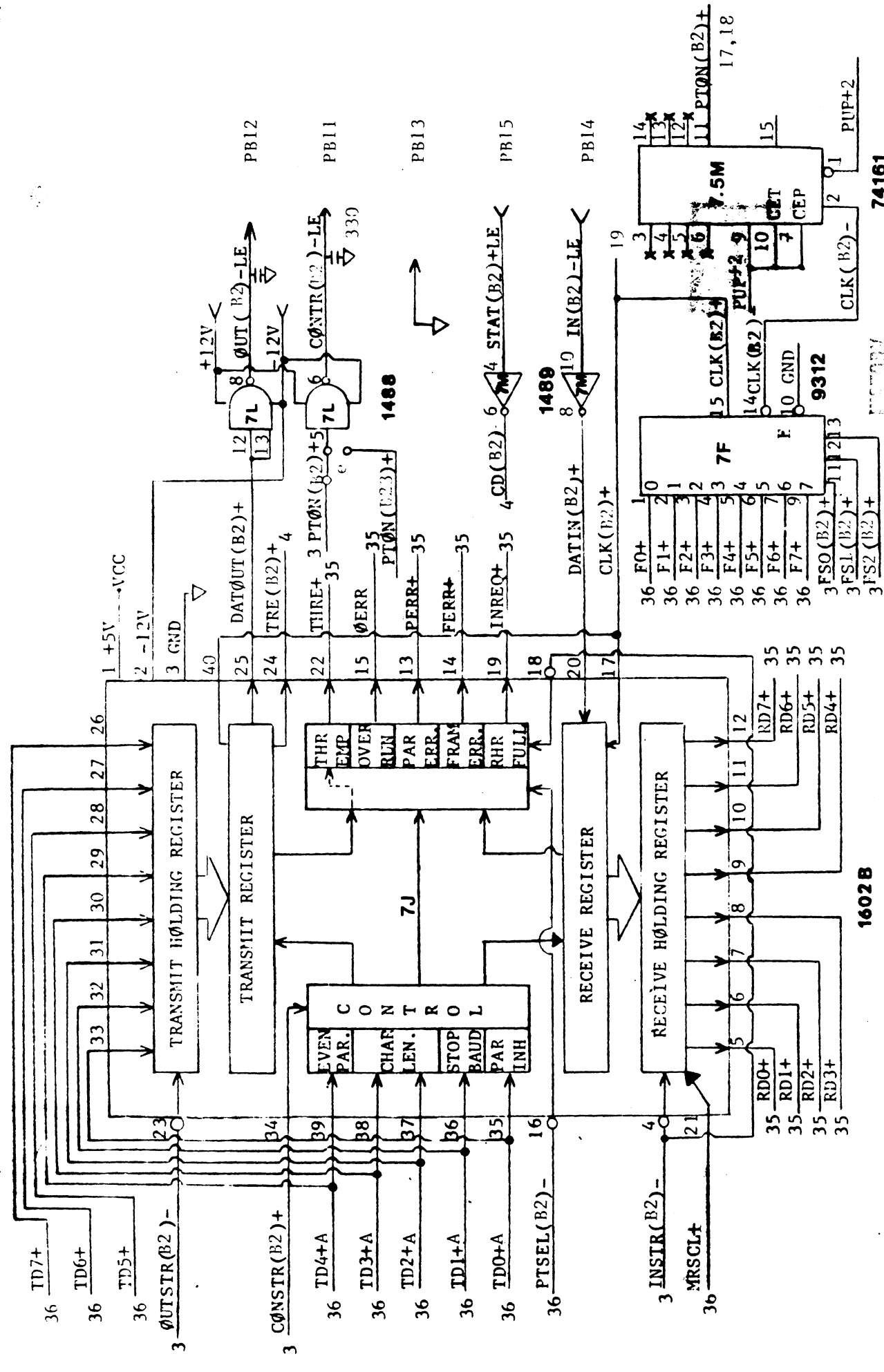




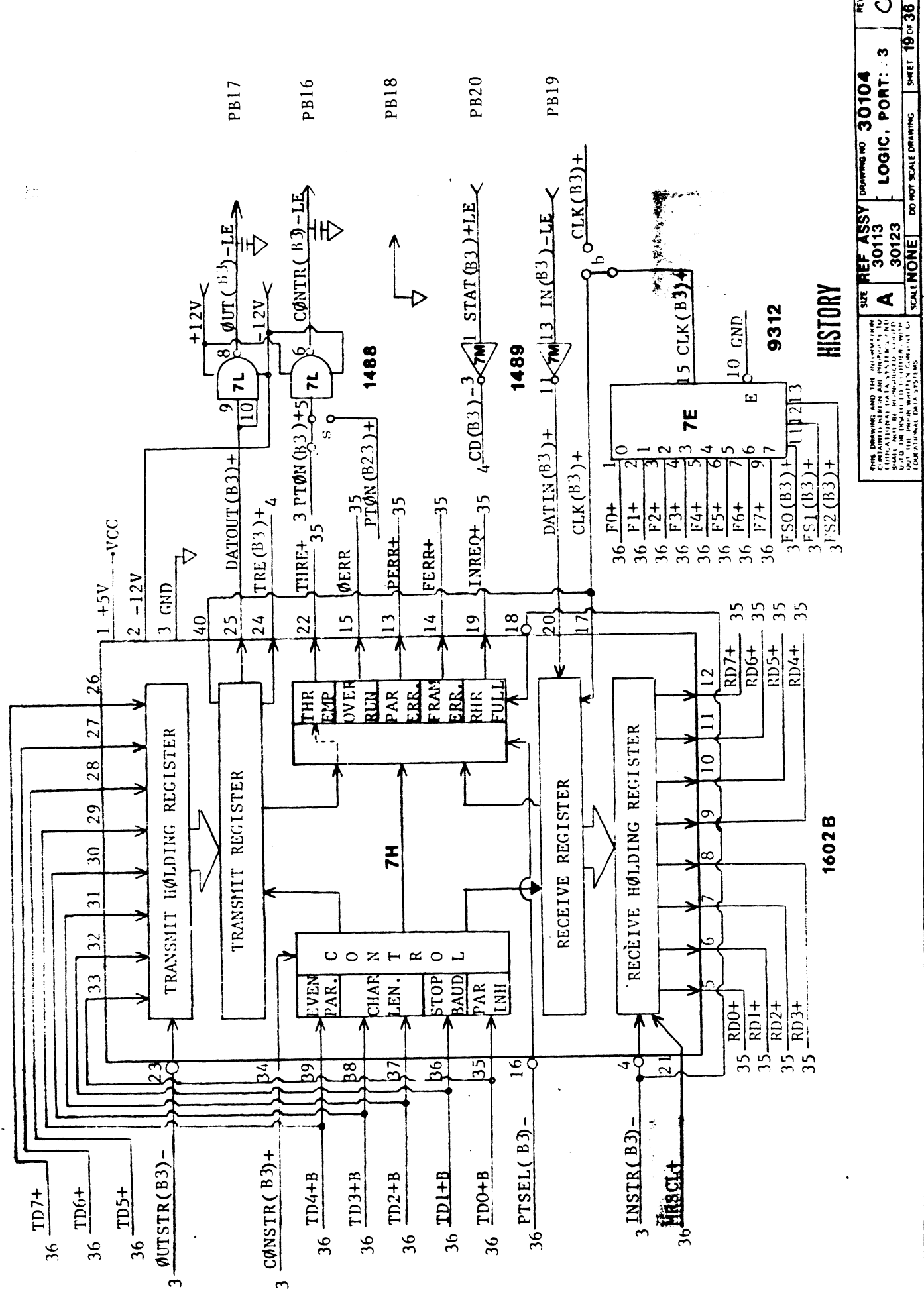


**HISTORY**

REV	30104	CI
SIZE	REF ASSY	DRAWING NO
A	30113	LOGIC, PORT: B1
SCALE	30123	DO NOT SCALE DRAWING
NONE DRAWING AND THE INFORMATION CONTAINED HEREIN ARE PRELIMINARY. INDICATIONAL DATA ONLY. THIS DRAWING IS NOT TO BE USED FOR FABRICATION OF EQUIPMENT WITHOUT THE WRITTEN CONSENT OF DATA POINT INC. (DPI-2-5311-00)		SHEET 17 OF 3



THIS DRAWING AND THE INFORMATION CONTAINED HEREIN ARE UNCLASSIFIED EXCEPT WHERE SHOWN OTHERWISE. THIS INFORMATION IS UNCLASSIFIED EXCEPT WHERE SHOWN OTHERWISE.



D C B A

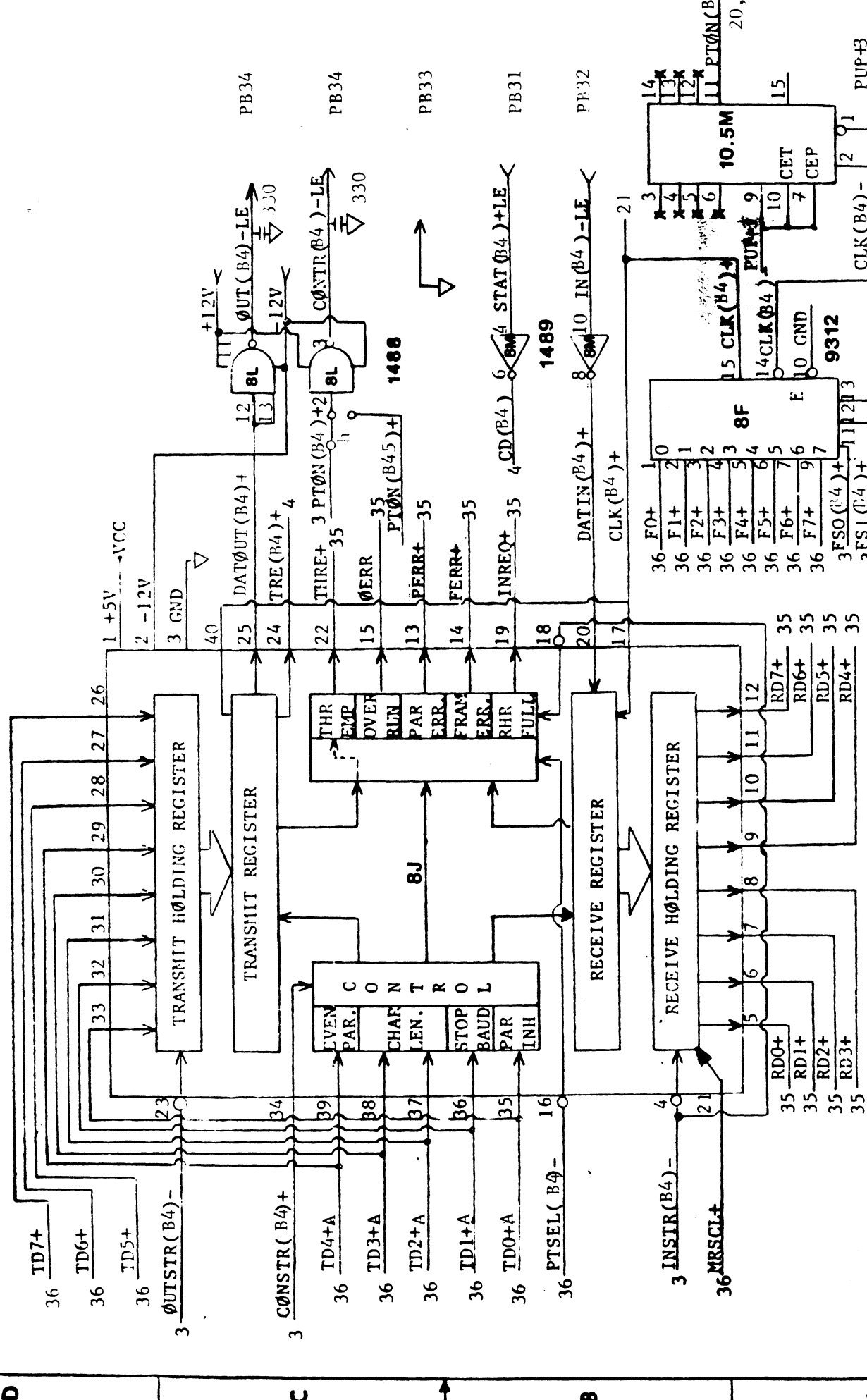
**HISTORY**

1602B

9312

REV	30104
SIZE	A
REF ASSY	30113
DRAWING NO	30123
LOGIC. PORT:	3
SCALE	NONE
DO NOT SCALE DRAWING	
SHEET	19 OF 36

THIS DRAWING AND THE INFORMATION CONTAINED HEREIN ARE PROPRIETARY AND UNCLASSIFIED DATA SYSTEMS. IT IS TO BE USED ONLY IN CONNECTION WITH THE PROGRAMS AND/OR EQUIPMENT SPECIFICALLY IDENTIFIED HEREIN. (FOR ADDITIONAL DATA SEE 312-100)



**1602B**

**8J**

**8L**

**9312**

**10.5M**

**74161**

**1489**

**30104**

**30113**

**30123**

**A**

**REF ASSY**

**LOGIC, PORT:B4**

**SCALE: NONE**

**DO NOT SCALE DRAWING**

**SHEET 200**

**HISTORY**

**DATE**

**ISSUED**

**BY**

**REVISION**

**DESCRIPTION**

**1**

**2**

**3**

**4**

**5**

**6**

**7**

**8**

**9**

**10**

**11**

**12**

**13**

**14**

**15**

**16**

**17**

**18**

**19**

**20**

**21**

**22**

**23**

**24**

**25**

**26**

**27**

**28**

**29**

**30**

**31**

**32**

**33**

**34**

**35**

**36**

**37**

**38**

**39**

**40**

**1**

**2**

**3**

**4**

**5**

**6**

**7**

**8**

**9**

**10**

**11**

**12**

**13**

**14**

**15**

**16**

**17**

**18**

**19**

**20**

**21**

**22**

**23**

**24**

**25**

**26**

**27**

**28**

**29**

**30**

**31**

**32**

**33**

**34**

**35**

**36**

**37**

**38**

**39**

**40**

**1**

**2**

**3**

**4**

**5**

**6**

**7**

**8**

**9**

**10**

**11**

**12**

**13**

**14**

**15**

**16**

**17**

**18**

**19**

**20**

**21**

**22**

**23**

**24**

**25**

**26**

**27**

**28**

**29**

**30**

**31**

**32**

**33**

**34**

**35**

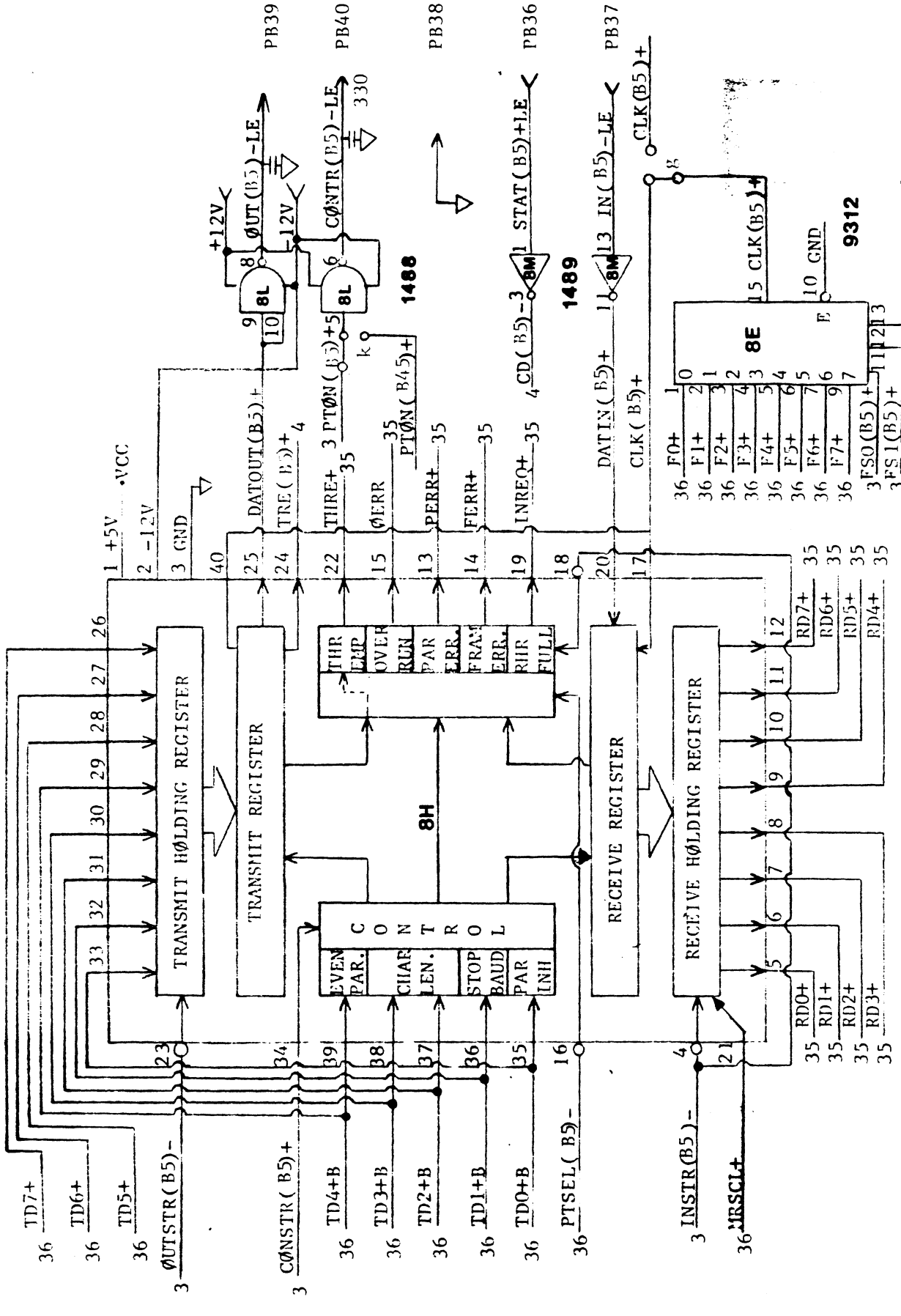
**36**

**37**

**38**

**39**

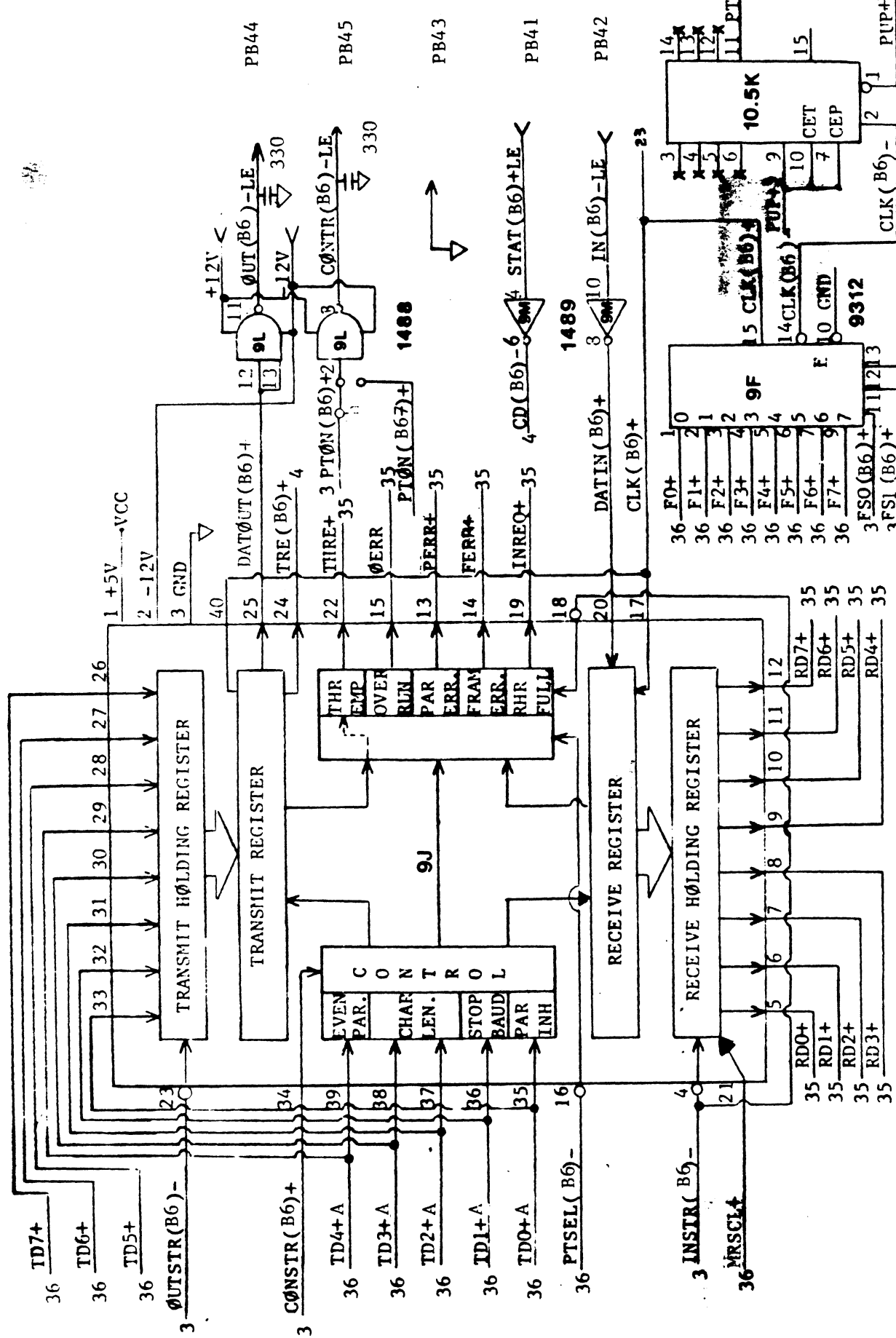
**40**



REV	30104	DO NOT SCALE DRAWING	SHEET 21 OF 36
REV	30113	LOGIC, PORT-B5	C1
REV	30123	SCALE NONE	

THIS DRAWING AND THE INFORMATION CONTAINED HEREIN ARE PROPERTY OF AND SHALL REMAIN THE PROPERTY OF THE COMPANY AND SHALL NOT BE REPRODUCED, COPIED, USED, OR DISCLOSED TO OTHERS WITH OUT THE WRITTEN CONSENT OF THE COMPANY.

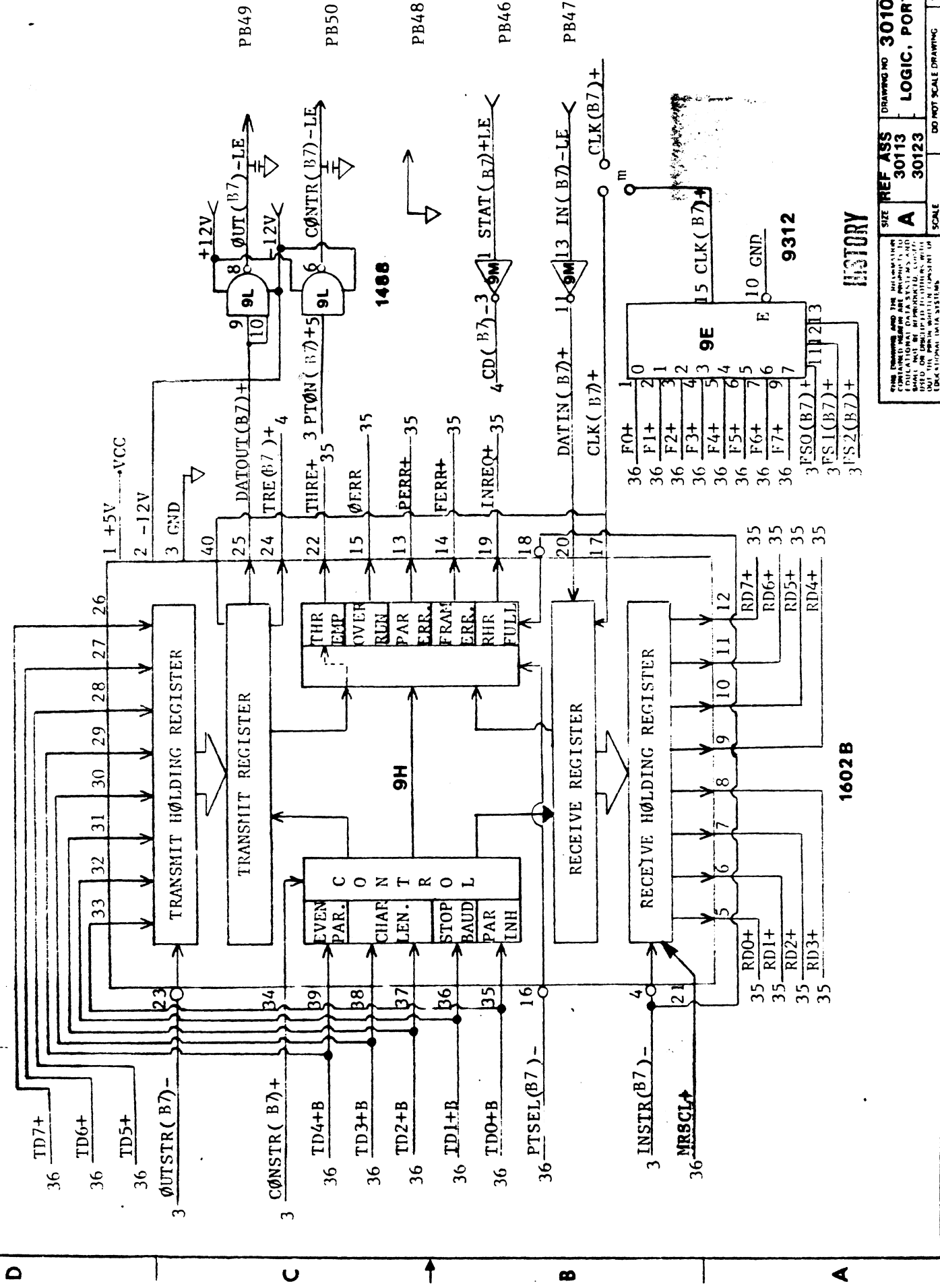
SIZE REF ASSY DRAWING NO 30104  
 A 30113 LOGIC, PORT-B5  
 SCALE NONE DO NOT SCALE DRAWING SHEET 21 OF 36



### HISTORY

REV	DESCRIPTION	DATE
A	REF ASS 30113 30123	30104
SCALE	NONE	DO NOT SCALE DRAWING
SHEET	22	

THIS DRAWING IS THE PROPERTY OF THE COMPANY AND IS NOT TO BE REPRODUCED OR TRANSMITTED IN ANY FORM OR BY ANY MEANS, ELECTRONIC OR MECHANICAL, INCLUDING PHOTOCOPYING, RECORDING, OR BY ANY INFORMATION STORAGE AND RETRIEVAL SYSTEM.



1602B

9912

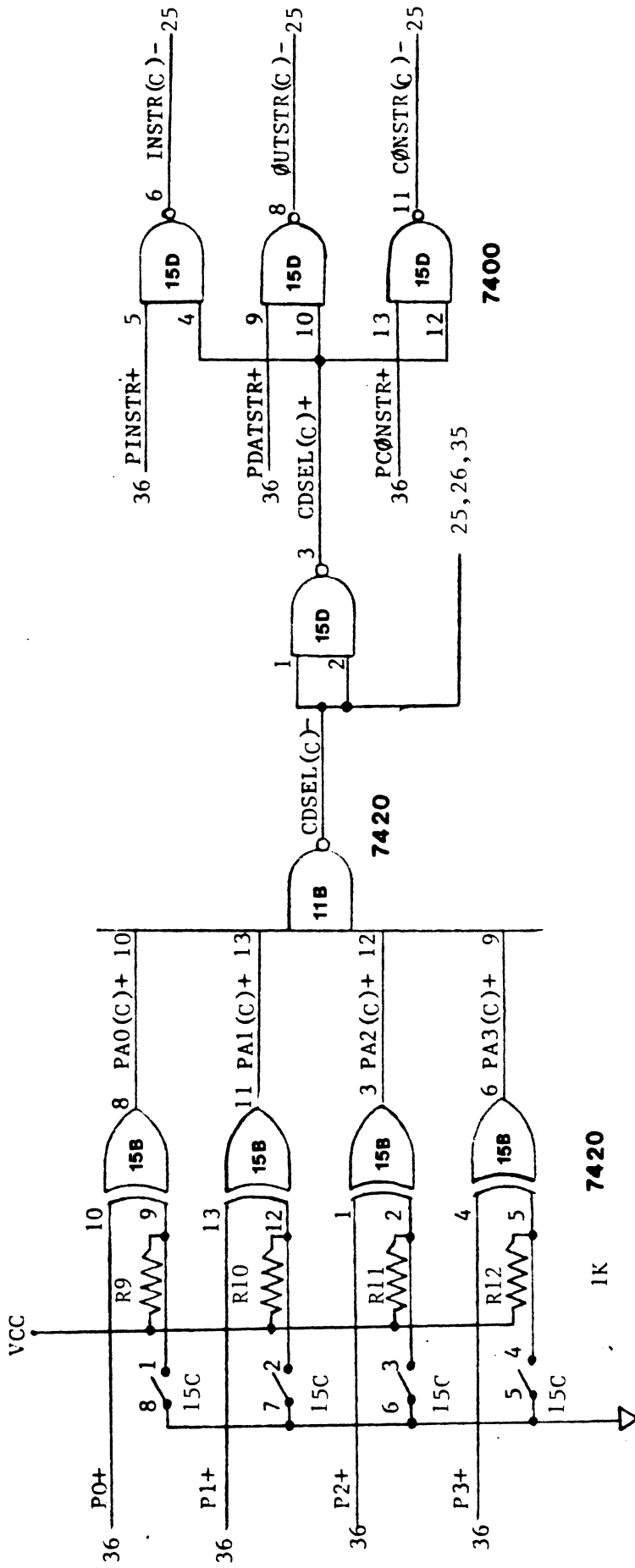
1488

1602B

HISTORY

SIZE	REV	REF ASS	DRAWING NO
A	30113	30104	30104
SCALE	DO NOT SCALE DRAWING	LOGIC, PORT: B7	C1
30123			
DO NOT SCALE DRAWING SHEET 23 OF 36			





**HISTORY**

REV	C1
DRAWING NO.	30104
COMMON LOGIC	CARD A
SCALE	NONE
DO NOT SCALE DRAWING	
SHEET	24 OF 36

THIS DRAWING AND THE INFORMATION CONTAINED HEREIN ARE PROPERTY OF THE UNITED STATES GOVERNMENT AND ARE LOANED TO YOU BY THE NATIONAL BUREAU OF STANDARDS. IT IS TO BE REPRODUCED AS SHOWN AND NOT TO BE REPRODUCED IN ANY MANNER WITHOUT CONSENT OF THE NATIONAL BUREAU OF STANDARDS.

36	SO+	15	0	1	PTSEL(C0)-	27
		A	1	2	PTSEL(C1)-	28
36	SI+	14	2	3	PTSEL(C2)-	29
36	S2+	13	3	4	PTSEL(C3)-	30
		C	4	5	PTSEL(C4)-	31
			5	6	PTSEL(C5)-	32
24	CDSEL(C)-	12	6	7	PTSEL(C6)-	33
		D	7	9	PTSEL(C7)-	34

**7442**

36	SO+	15	0	1	INSTR(C0)-	27
		A	1	2	INSTR(C1)-	28
36	SI+	14	2	3	INSTR(C2)-	29
36	S2+	13	3	4	INSTR(C3)-	30
		C	4	5	INSTR(C4)-	31
			5	6	INSTR(C5)-	32
24	INSTR(C)-	12	6	7	INSTR(C6)-	33
		D	9	9	INSTR(C7)-	34

**7442**

36	SO+	15	0	1	OUTSTR(C0)-	27
		A	1	2	OUTSTR(C1)-	28
36	SI+	14	2	3	OUTSTR(C2)-	29
36	S2+	13	3	4	OUTSTR(C3)-	30
		C	4	5	OUTSTR(C4)-	31
			5	6	OUTSTR(C5)-	32
24	OUTSTR(C)-	12	6	7	OUTSTR(C6)-	33
		D	9	9	OUTSTR(C7)-	34

**7442**

36	SO+	15	0	4	CONSTR(C0)+	27
		A	1	5	CONSTR(C1)+	28
36	SI+	14	2	6	CONSTR(C2)+	29
36	S2+	13	3	7	CONSTR(C3)+	30
		C	4	9	CONSTR(C4)+	31
			5	10	CONSTR(C5)+	32
24	CONSTR(C)-	14	6	11	CONSTR(C6)+	33
36	GND	15	7	12	CONSTR(C7)+	34
		C				

**9334**

36	SO+	15	0	4	PTON(C0)+	27
		A	1	5	PTON(C1)+	28
36	SI+	14	2	6	PTON(C2)+	29
36	S2+	13	3	7	PTON(C3)+	30
		C	4	9	PTON(C4)+	31
			5	10	PTON(C5)+	32
24	CONSTR(C)-	14	6	11	PTON(C6)+	33
36	MRSCL-	15	7	12	PTON(C7)+	34
		C				

**9334**

36	SO+	15	0	4	FSO(C0)+	27
		A	1	5	FSO(C1)+	28
36	SI+	14	2	6	FSO(C2)+	29
36	S2+	13	3	7	FSO(C3)+	30
		C	4	9	FSO(C4)+	31
			5	10	FSO(C5)+	32
24	CONSTR(C)-	14	6	11	FSO(C6)+	33
36	MRSCL-	15	7	12	FSO(C7)+	34
		C				

**9334**

36	SO+	15	0	4	FSL(C0)+	27
		A	1	5	FSL(C1)+	28
36	SI+	14	2	6	FSL(C2)+	29
36	S2+	13	3	7	FSL(C3)+	30
		C	4	9	FSL(C4)+	31
			5	10	FSL(C5)+	32
24	CONSTR(C)-	14	6	11	FSL(C6)+	33
36	MRSCL-	15	7	12	FSL(C7)+	34
		C				

**9334**

36	SO+	15	0	4	FS2(C0)+	27
		A	1	5	FS2(C1)+	28
36	SI+	14	2	6	FS2(C2)+	29
36	S2+	13	3	7	FS2(C3)+	30
		C	4	9	FS2(C4)+	31
			5	10	FS2(C5)+	32
24	CONSTR(C)-	14	6	11	FS2(C6)+	33
36	MRSCL-	15	7	12	FS2(C7)+	34
		C				

**HISTORY**

THIS DRAWING AND THE INFORMATION CONTAINED HEREIN ARE PROPERTY OF EDUCATIONAL DATA SYSTEMS AND ARE TO BE USED ONLY IN CONNECTION WITH THE WRITTEN CURRICULUM MATERIALS. NO PART OF THIS DRAWING OR THE INFORMATION CONTAINED HEREIN IS TO BE REPRODUCED OR TRANSMITTED IN ANY FORM OR BY ANY MEANS, ELECTRONIC OR MECHANICAL, INCLUDING PHOTOCOPYING, RECORDING, OR BY ANY INFORMATION STORAGE AND RETRIEVAL SYSTEM, WITHOUT THE PRIOR WRITTEN CONSENT OF EDUCATIONAL DATA SYSTEMS.

SCALE: NONE DO NOT SCALE DRAWING

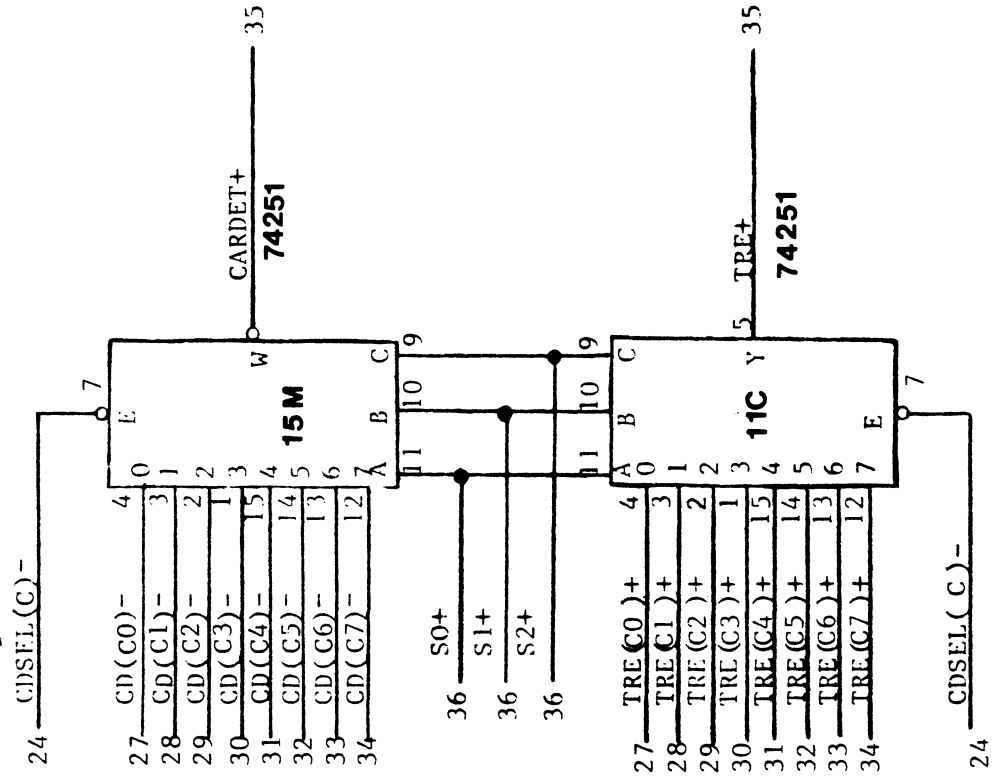
SIZE: A REF: SS 30103 30123 common logic card C

DRAWING NO: 30104 REV: C1

SHEET 25 OF 36

REVISIONS

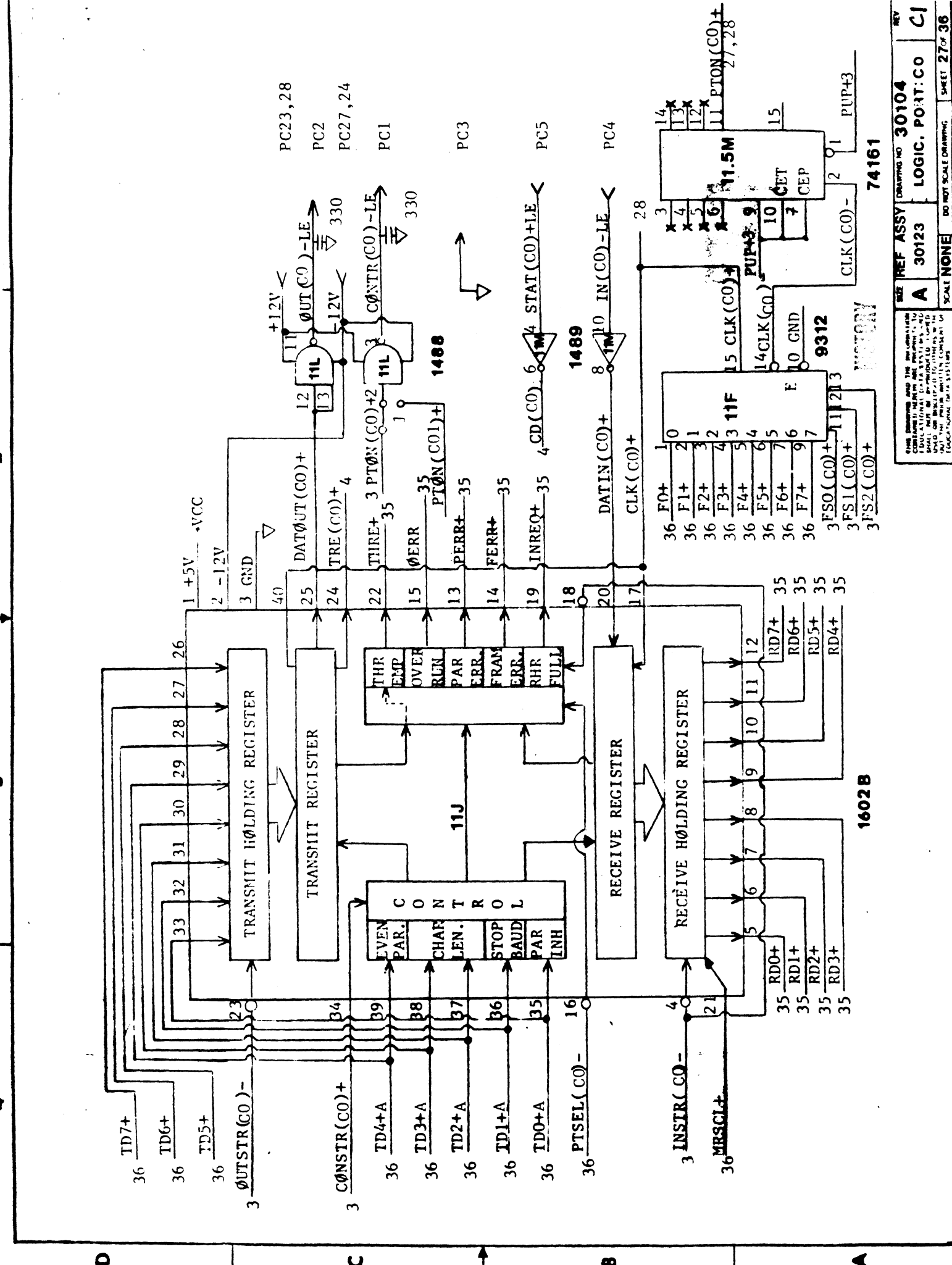
PART	DOC	DATE	APPROV
REV	REV		
DESCRIPTIONS			



HISTORY

SIZE	REF ASSY	DRAWING NO	REV
A	30123	30104	R
		COMMON TO IC	C
		CARD C	
SCALE	NONE	DO NOT SCALE DRAWING	SHEET 26 OF 3

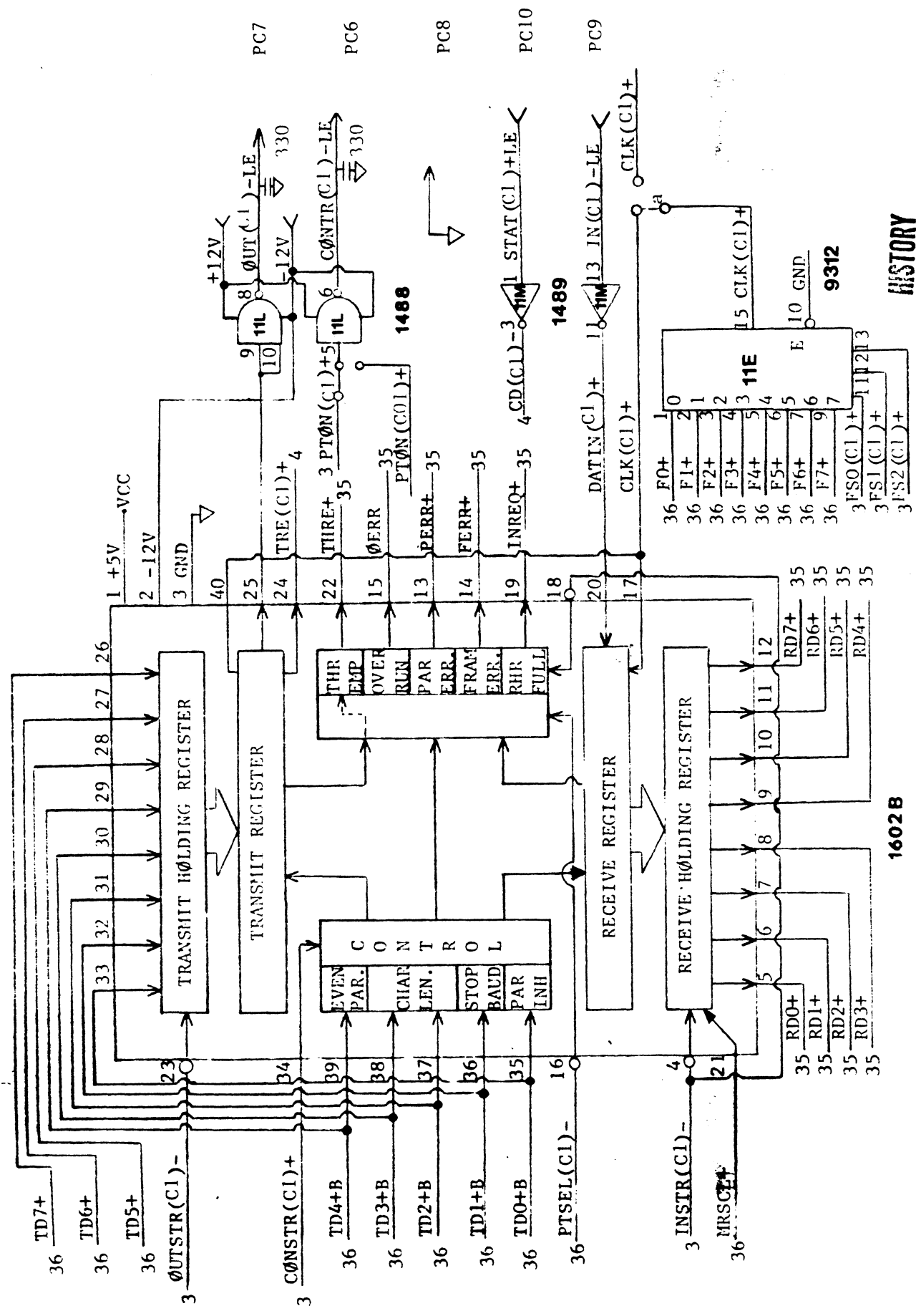
THIS DRAWING AND THE INFORMATION CONTAINED HEREIN ARE UNCLASSIFIED AND SHALL NOT BE REPRODUCED, COPIED, OR TRANSMITTED IN ANY FORM OR BY ANY MEANS, ELECTRONIC OR MECHANICAL, INCLUDING PHOTOCOPYING, RECORDING, OR BY ANY INFORMATION SYSTEMS, WITHOUT PERMISSION IN WRITING FROM THE NATIONAL ARCHIVES.



CHECK DIMENSIONS AND THE PERMISSIBLE TOLERANCES BEFORE USING THESE DIMENSIONS IN ANY MANUFACTURING PROCESS. THESE DIMENSIONS ARE NOT TO BE USED AS A BASIS FOR THE DESIGN OF ANY MECHANICAL PARTS.

**REF ASSY:** DRAWING NO **30104**  
**LOGIC. PORT: CO**  
**30123**  
**A**

**SCALE:** NONE DO NOT SCALE DRAWING. **SHEET 27 OF 36**

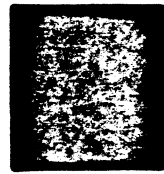
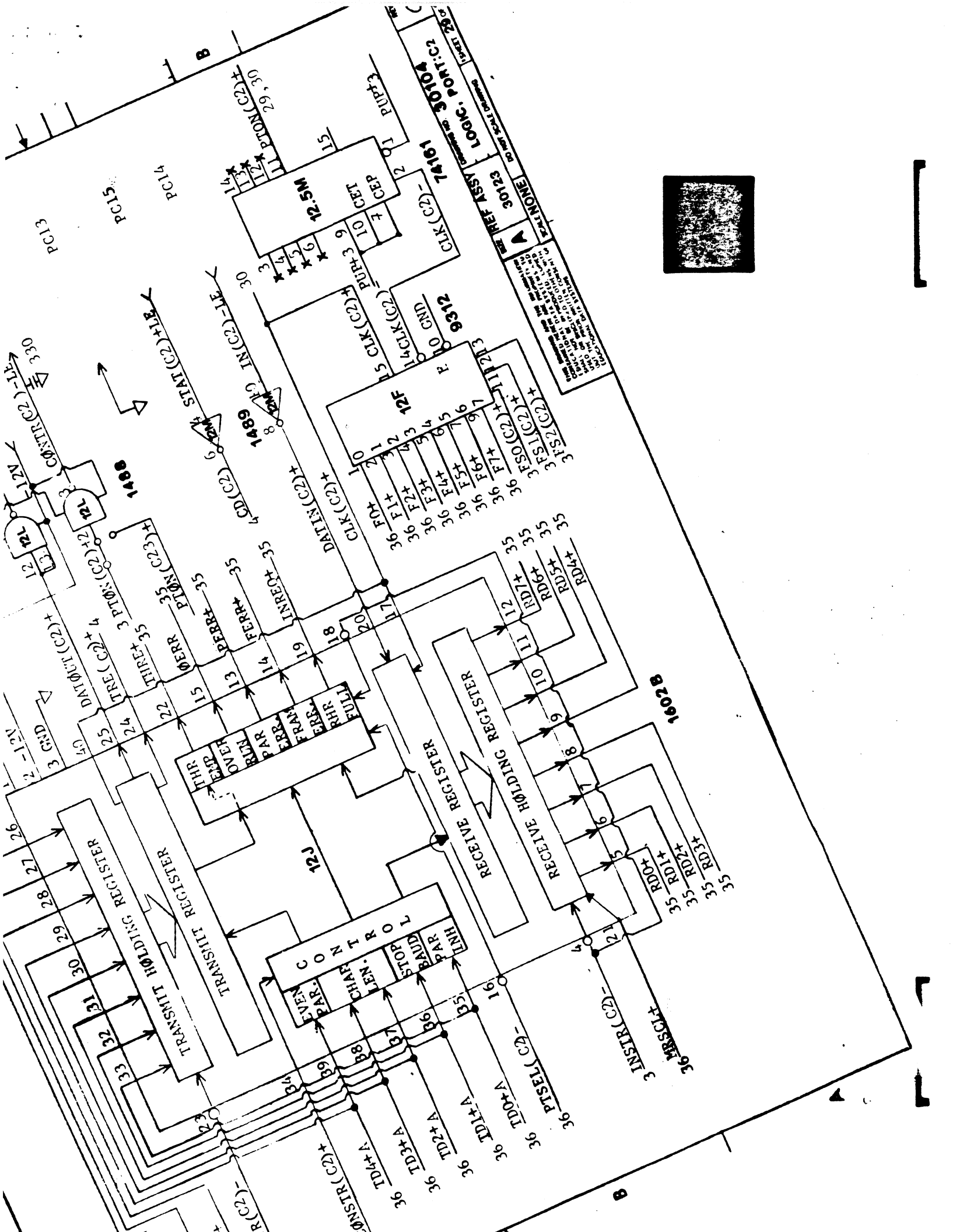


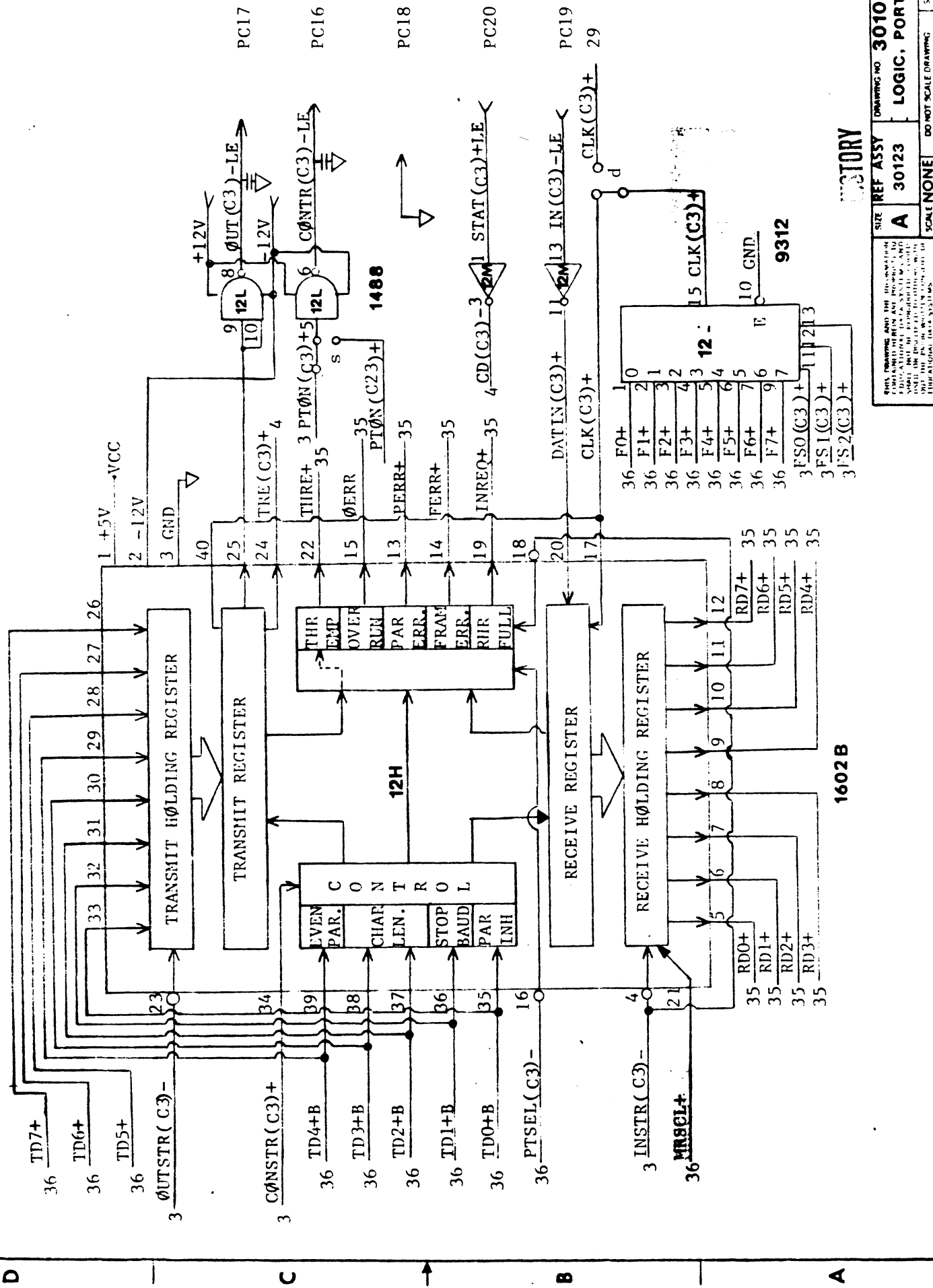
HISTORY

1602B

THIS DRAWING AND THE INFORMATION CONTAINED HEREIN ARE UNCLASSIFIED EXCEPT WHERE SHOWN OTHERWISE. THIS INFORMATION IS UNCLASSIFIED EXCEPT WHERE SHOWN OTHERWISE. THIS INFORMATION IS UNCLASSIFIED EXCEPT WHERE SHOWN OTHERWISE.

REV	30104	DO NOT SCALE DRAWING	SHEET 28 OF 36
REF ASSY	30123	LOGIC, PORT:C	
SCALE	NONE		





FACTORY

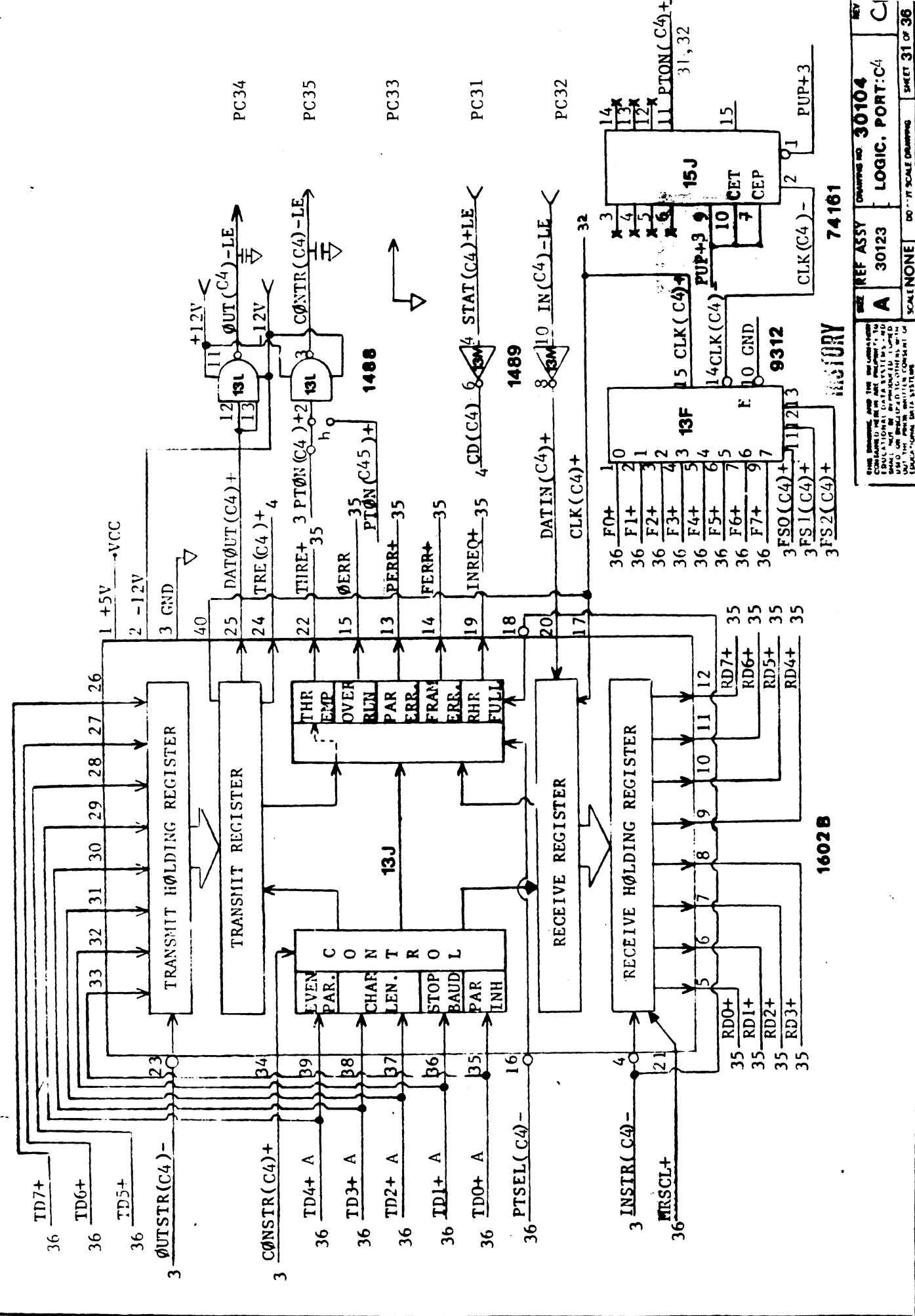
SIZE	REF ASSY	DRAWING NO	30104
A	30123	LOGIC, PORT: C3	
SCALE	NONE	DO NOT SCALE DRAWING	SHEET 30 OF 3

D

C

B

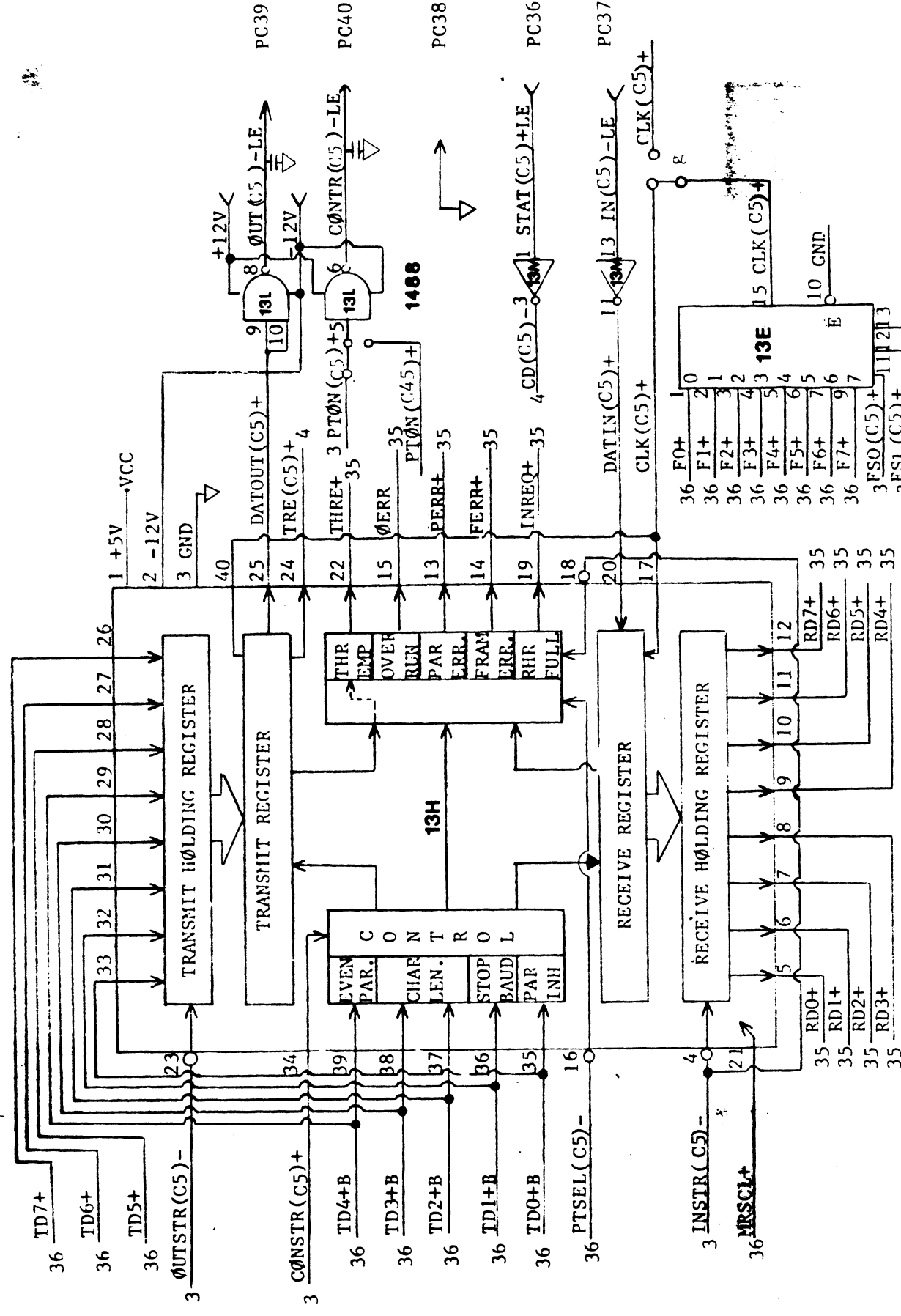
A



REV 30104  
 A 30123 LOGIC, PORT:C4  
 SCALE: NONE DO NOT SCALE DRAWING  
 SHEET 31 OF 36

DATE: 08/11/88  
 DRAWN BY: J. J. JONES  
 CHECKED BY: J. J. JONES  
 APPROVED BY: J. J. JONES  
 TITLE: SERIAL PORT C4



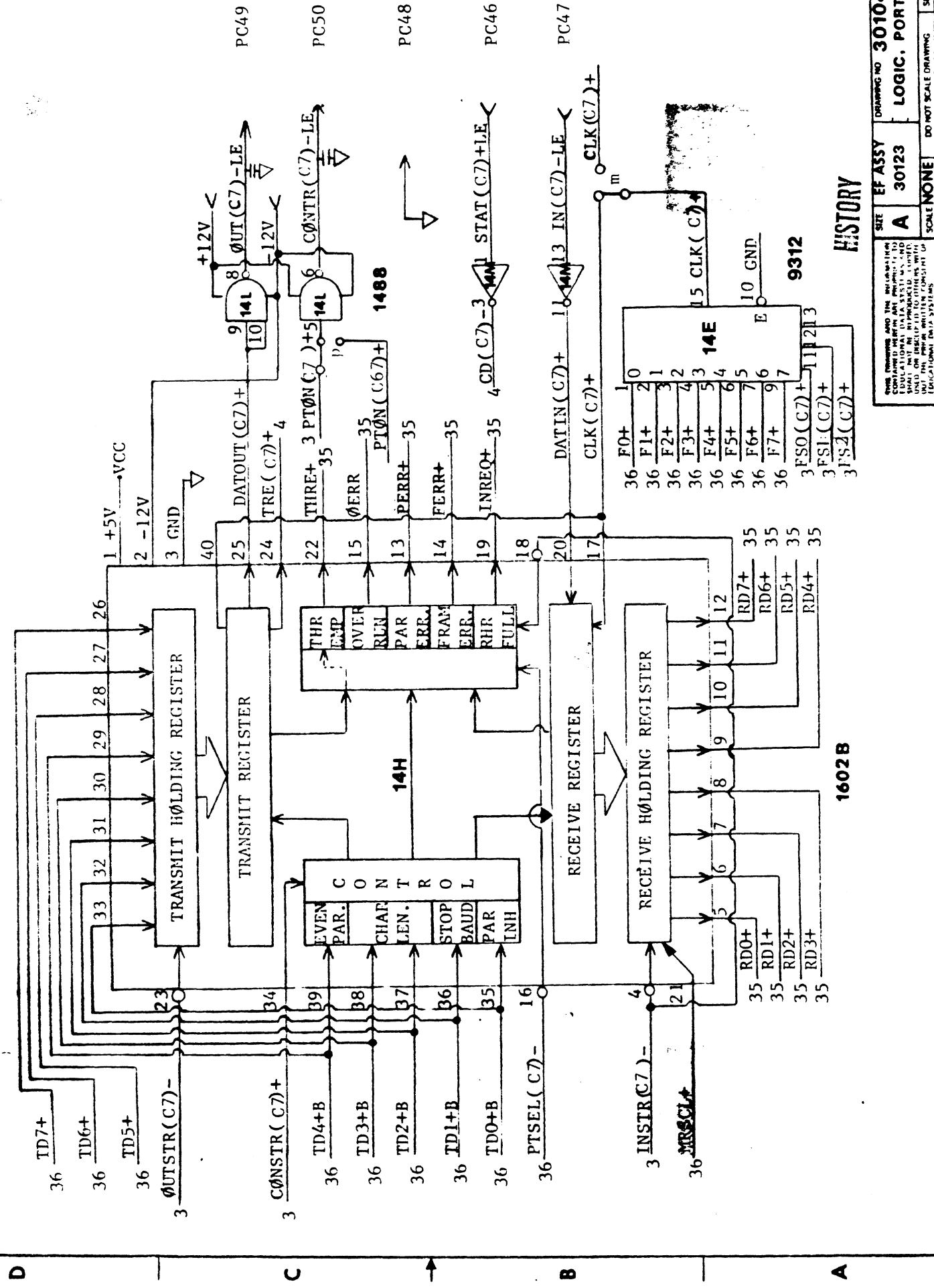


REV	REV	REV
30104	30123	30104
LOGIC. PORT. C5	DO NOT SCALE DRAWING	LOGIC. PORT. C5
SHEET 32 OF 38	SCALE NONE	SHEET 32 OF 38

**HISTORY**

DATE: 11/11/80  
 DRAWN BY: J. J. WILSON  
 CHECKED BY: J. J. WILSON  
 APPROVED BY: J. J. WILSON  
 TITLE: LOGIC. PORT. C5





**HISTORY**

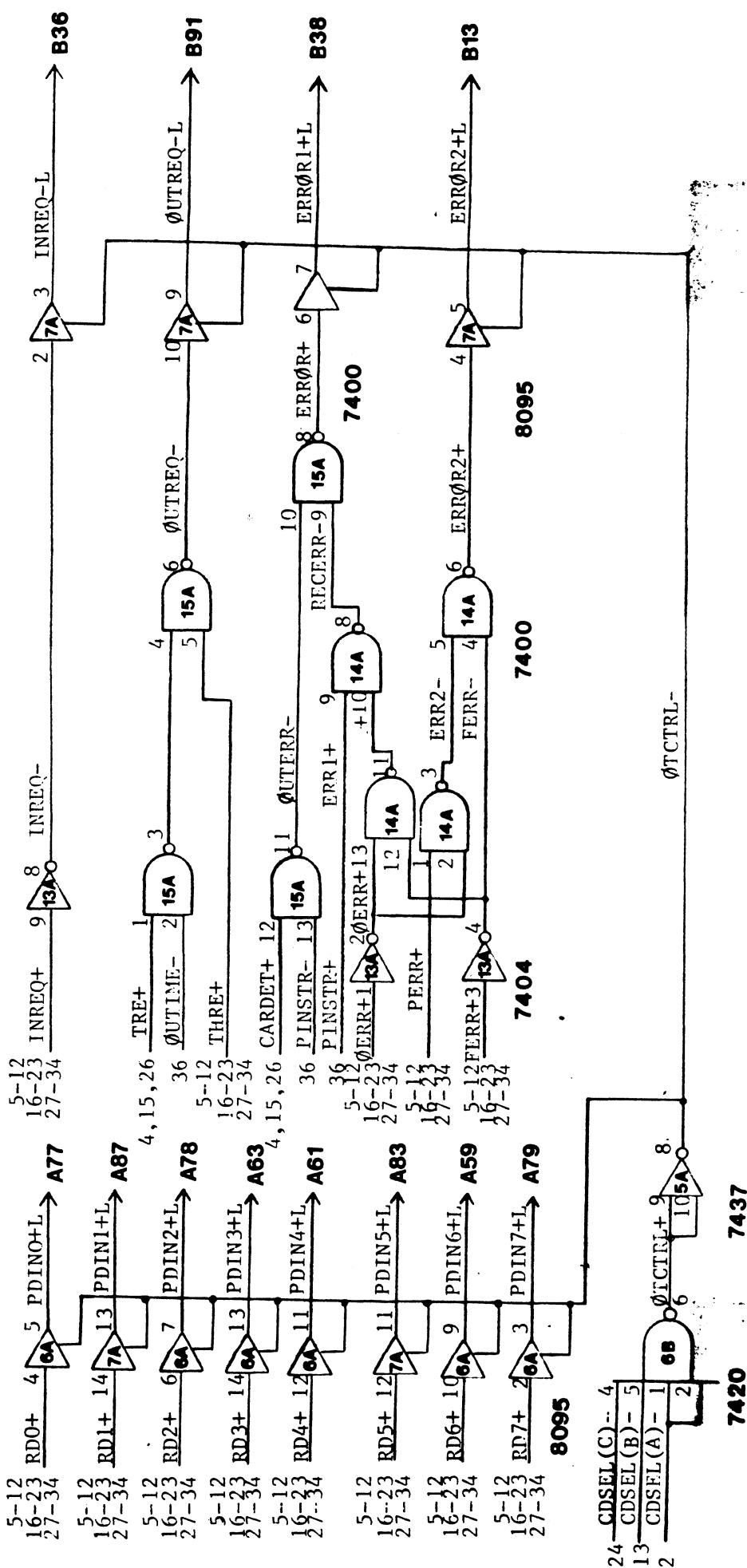
REV	30104	DO NOT SCALE DRAWING	SHEET 34 OF 36
SIZE	A	SCALE	NONE
EF ASSY	30123	LOGIC, PORT C7	
REV	C1		

D

C

B

A



### HISTORY

SIZE	REF ASSY	DRAWING NO	REV
A	30103	30104	C1
SCALE	NONE	BOARD COMMON	
		LOGIC	
		DO NOT SCALE DRAWING	SHEET 35 OF 36

