

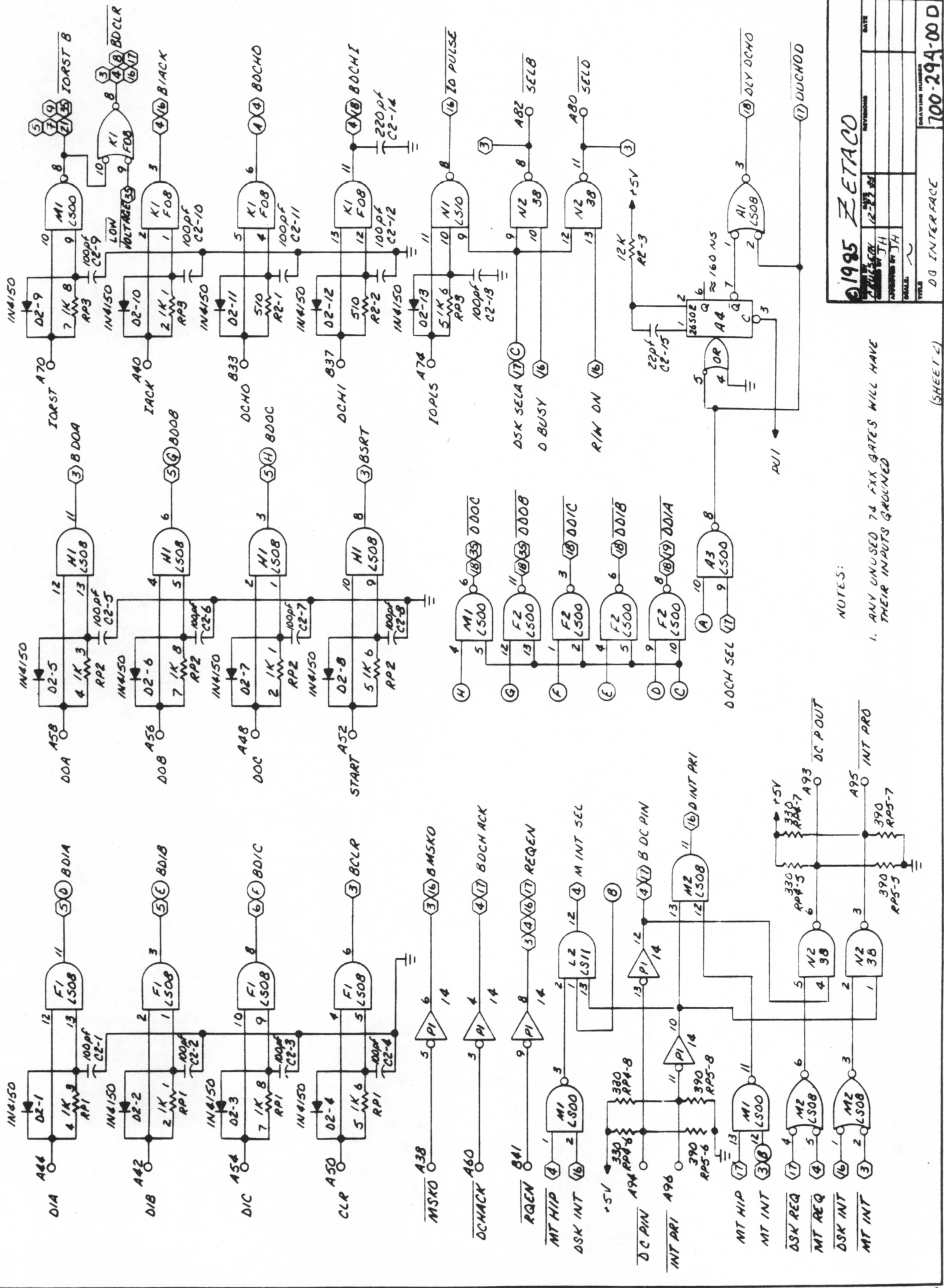
REVISION HISTORY	
ECO	DATE DESCRIPTION
0146	1-76-57
0348	6-27-88 PER ECO
0387	9-24-87 PER ETO
0470	12-15-87 SHEET 16
0505	10-85 RESISTOR CHG
0521	PER ECO

ZDF-1

(SHEET 1 OF 37)

01985 ZETACO	
DESIGNED BY	DATE
CHECKED BY	
APPROVED BY	
CHECKED	
TITLE	700-294-00 D

700294-000B



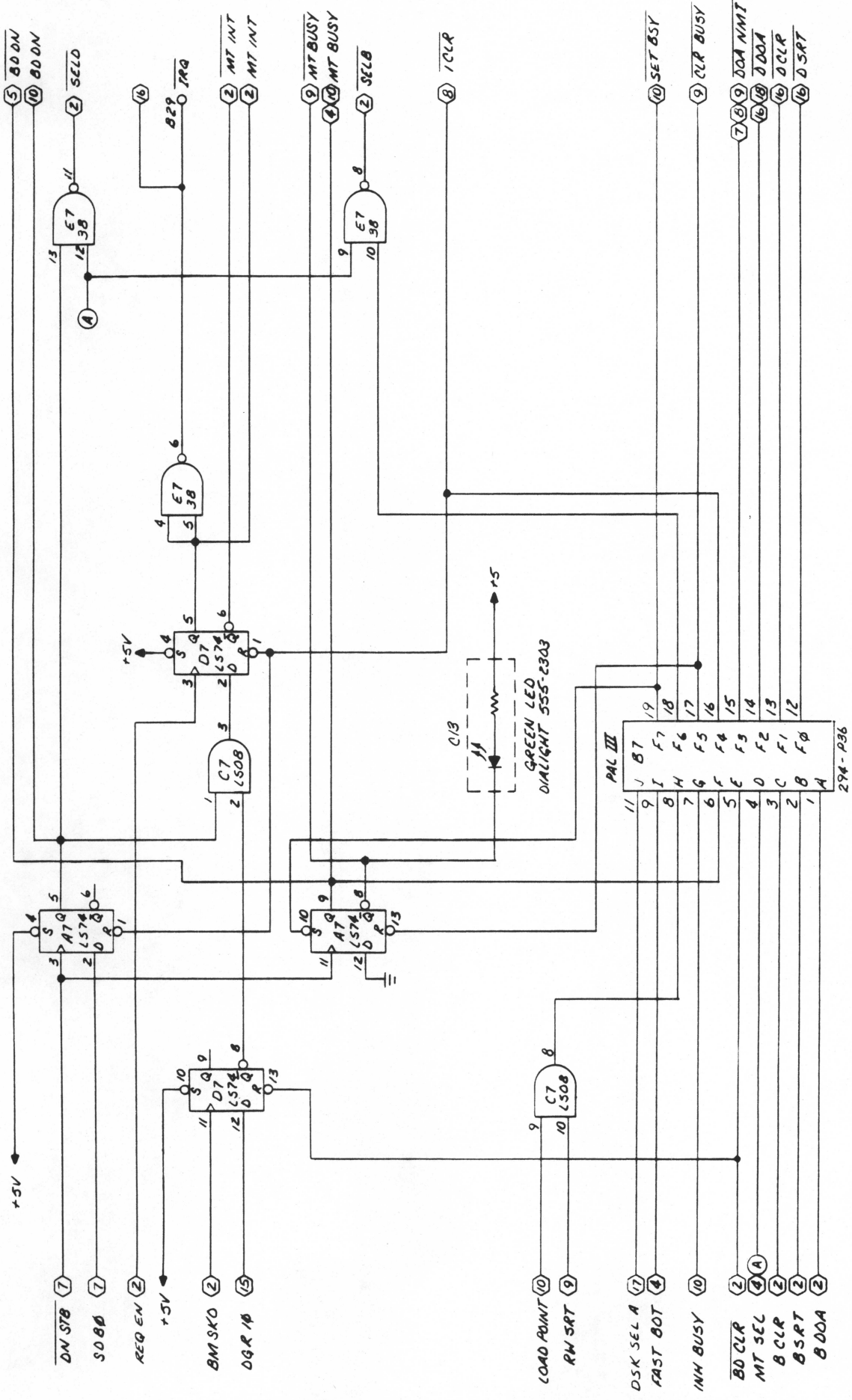
NOTES:

1. ANY UNUSED 74 FXX GATES WILL HAVE THEIR INPUTS GROUND

1985 ZETACO
 DRAWING NO. 12-33-84
 APPROVED BY JH
 DATE
 TITLE DQ INTERFACE
 DRAWING NUMBER 700-294-000

(SHEET 2)

700294-000B



1985 ZETACO

DATE: _____

DESIGNED BY: JH

CHECKED BY: JH

REVISION: _____

TITLE: TAPE 04 CONTROL

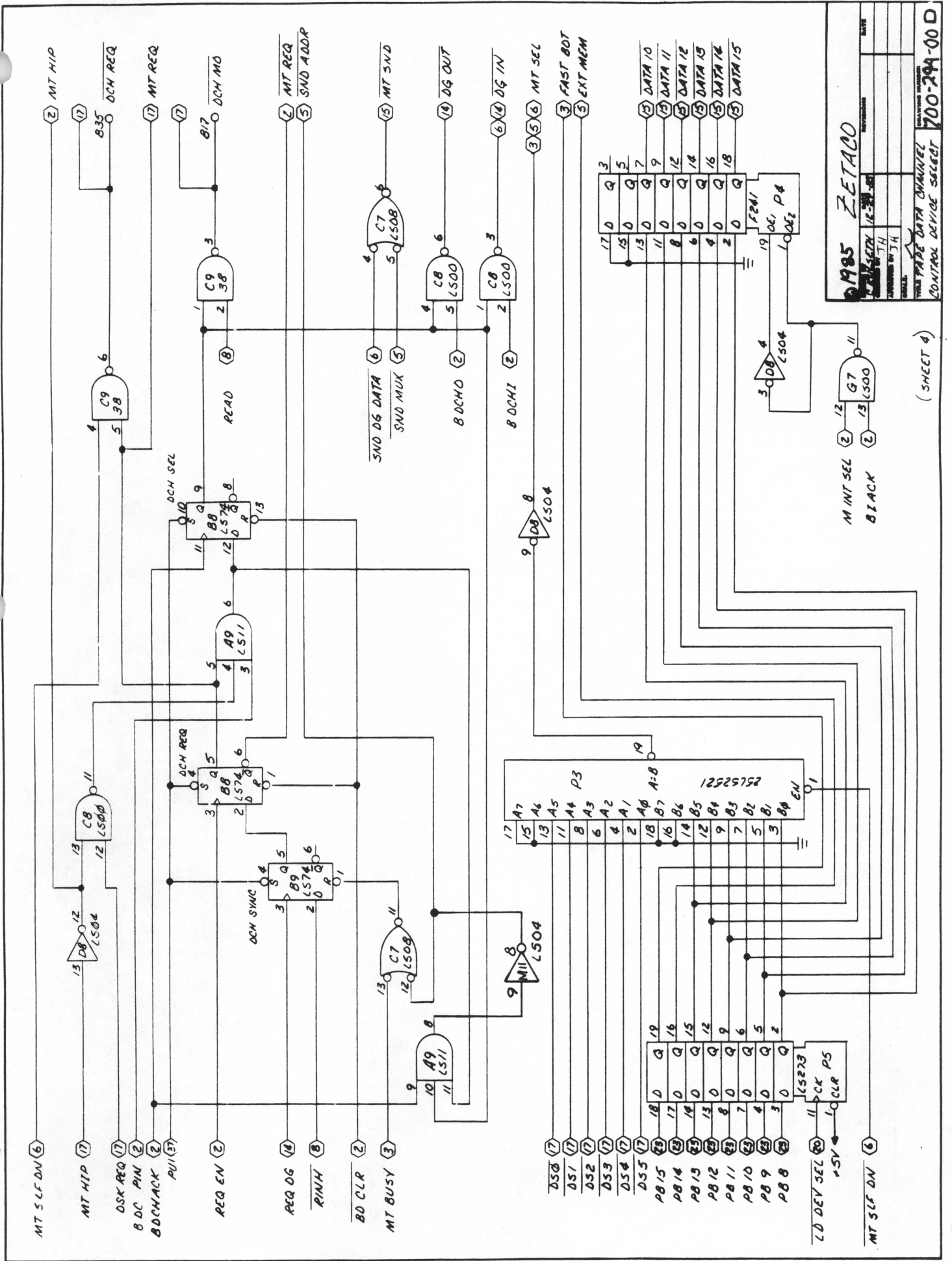
COMMAND DECODE PAL

700-294-00 D

(SHEET 3)

700294-000B

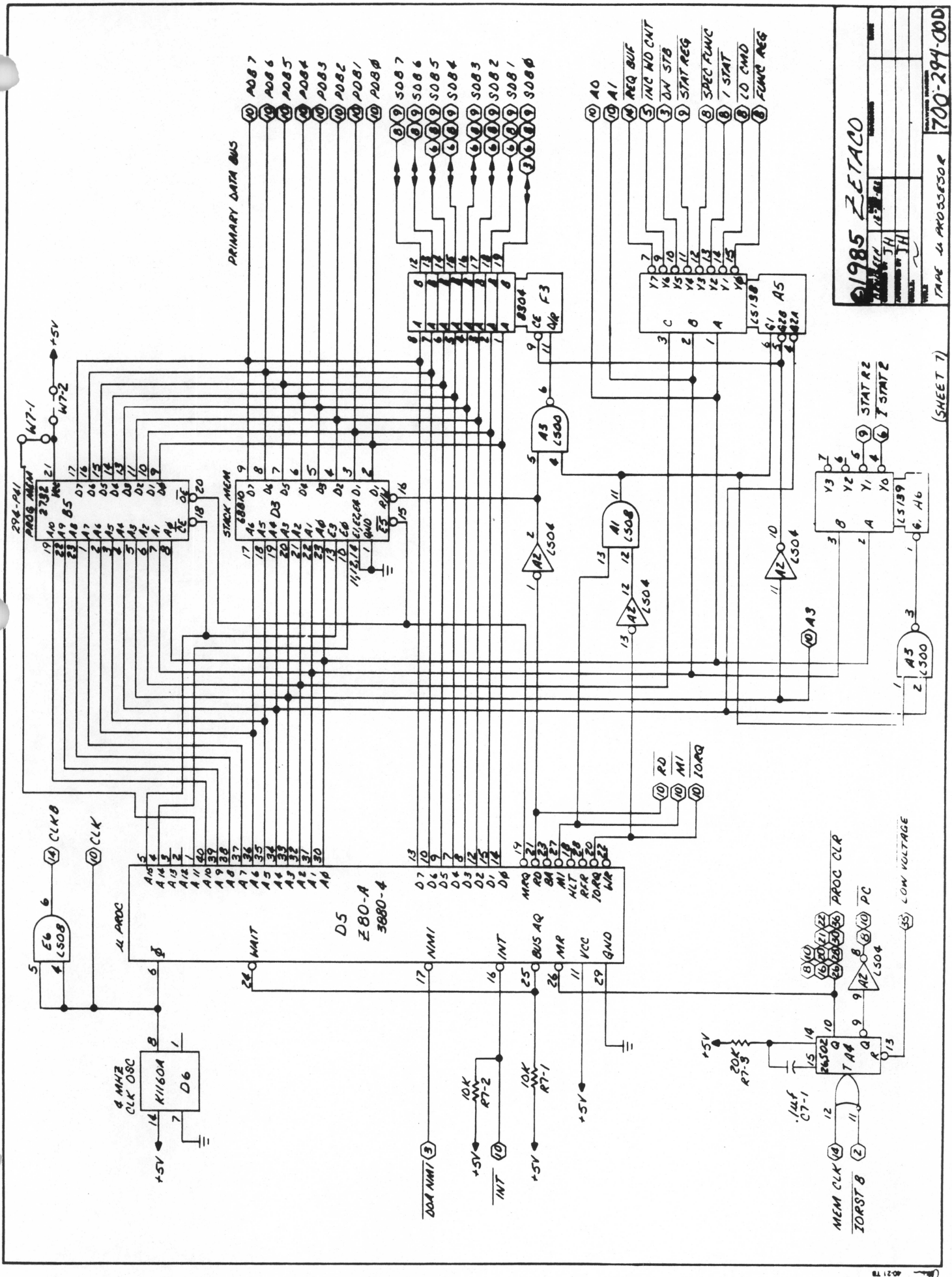
294-236



(SHEET 4)

700294-000B

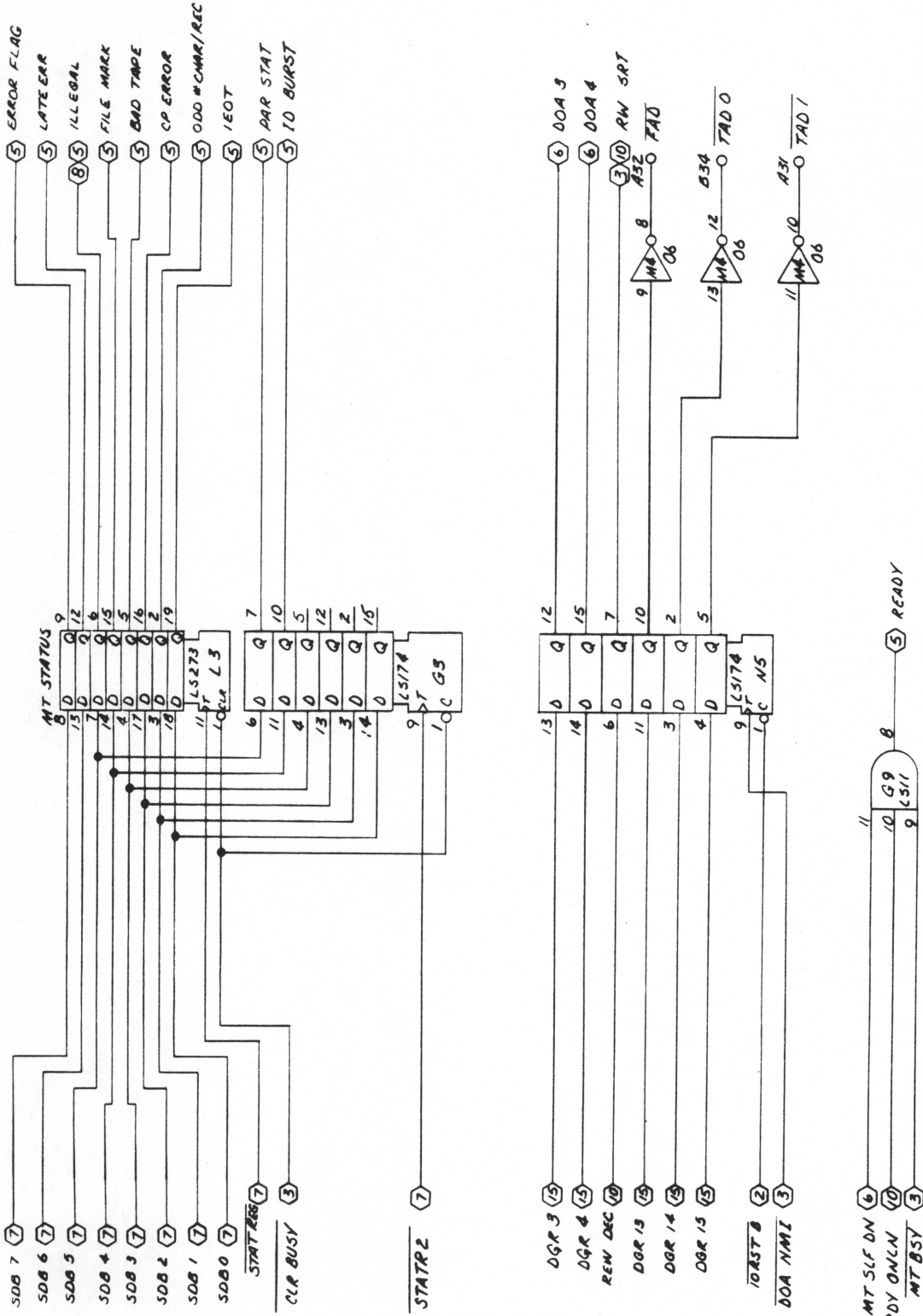
700-294-000 D
 CONTROL DEVICE SELECT
 APPROVED BY JH
 DATE



1985 ZETACO
 MADE IN JAPAN
 TAPAC 24 PROCESSOR 700-294-000

(SHEET 7)

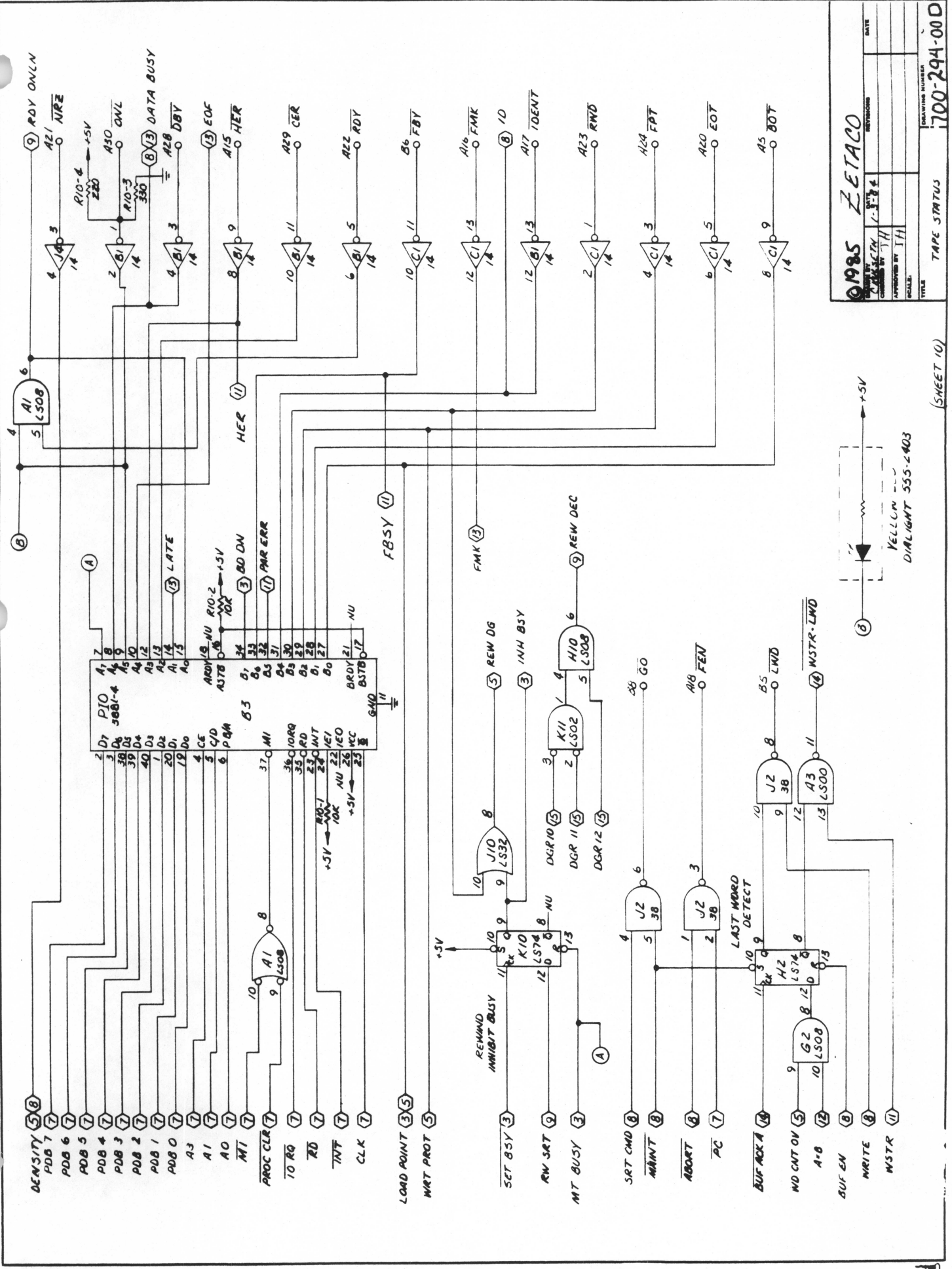
700294-000B



01985 ZETACO
 DRAWING NUMBER 700-294-00 D
 TITLE TAPE FUNC/STATUS REG
 APPROVED BY TH
 DATE

(SHEET 9)

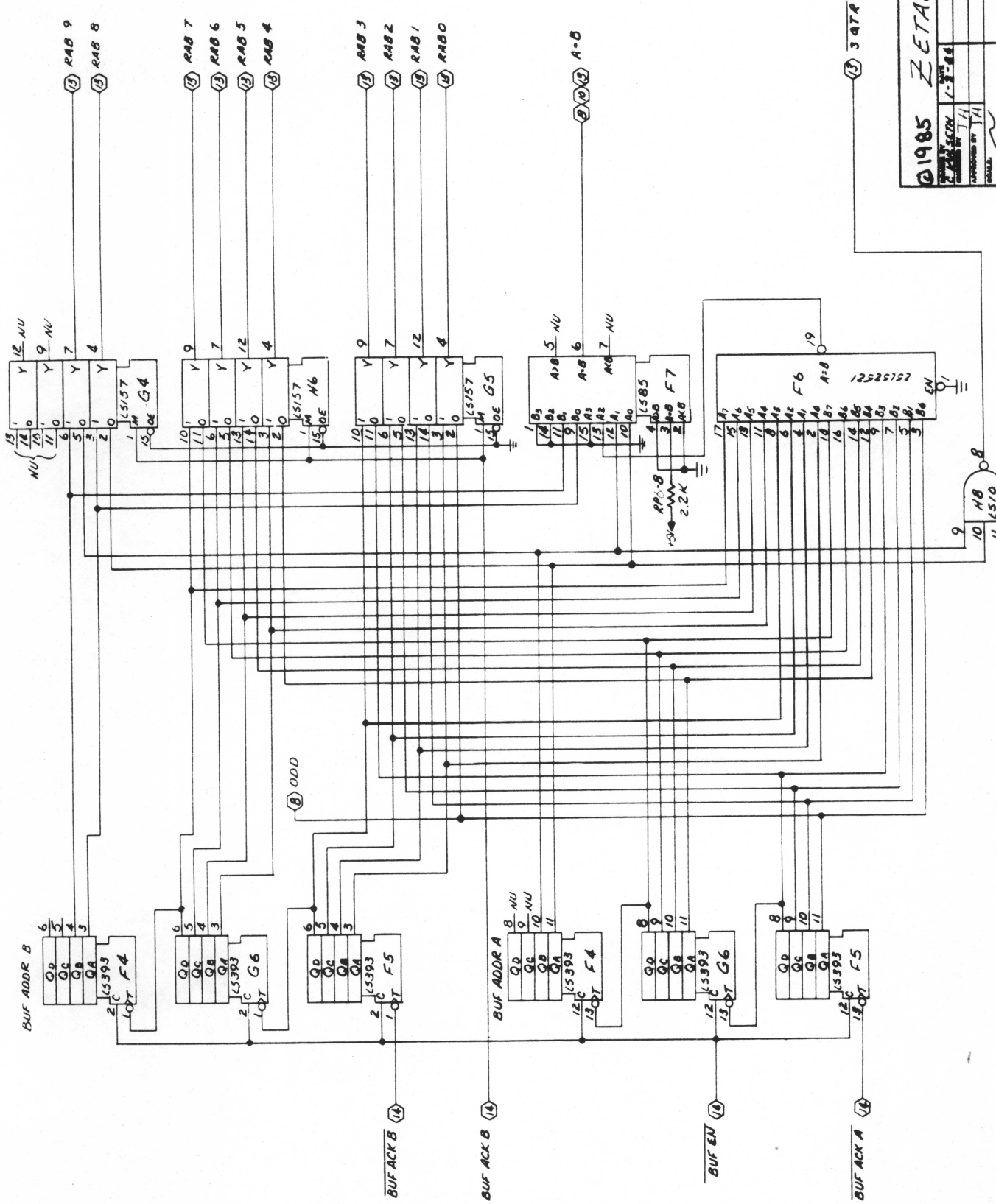
700294-000B



DATE	
REVISIONS	
APPROVED BY	TH
SCALE	TH
TITLE	TAPE STATUS
DRAWING NUMBER	700-294-00D

(SHEET 10)

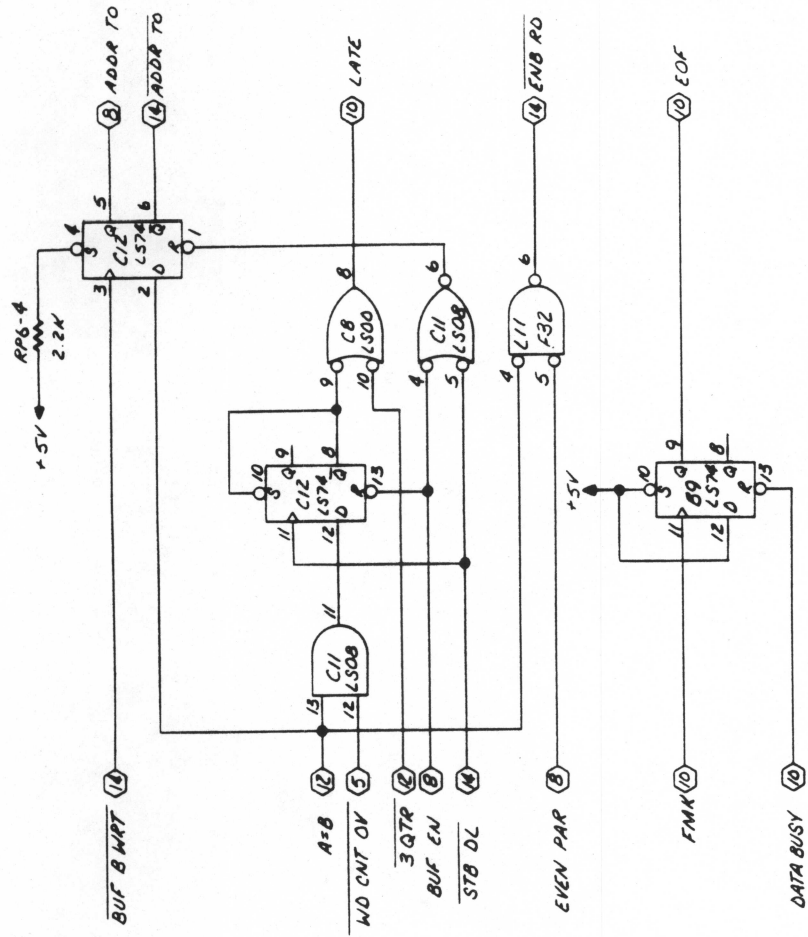
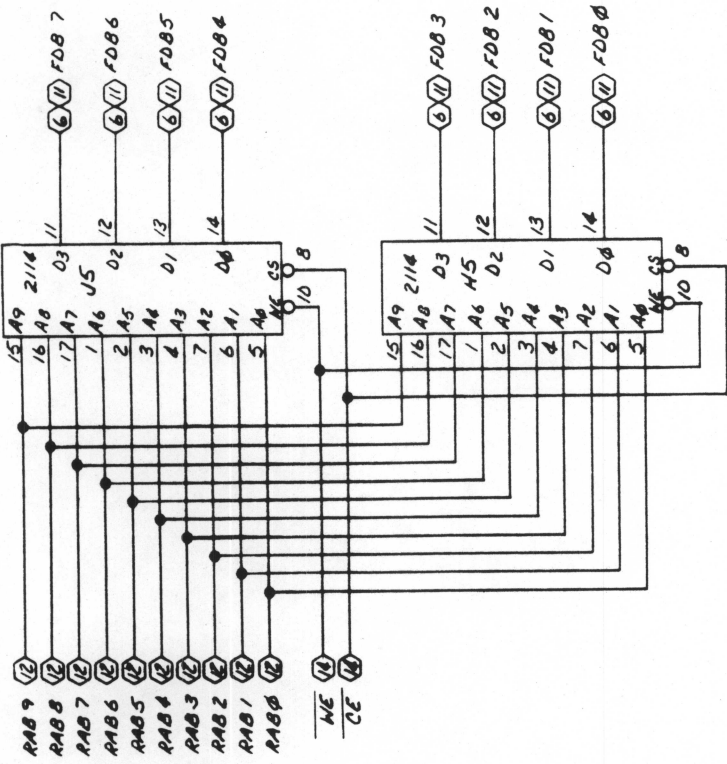
700294-000B



1985 ZETACO
 DRAWING NUMBER: 700-29A-00 D
 TITLE: TAPE FIBR ADDR COUNTERS
 APPROVED BY: TH
 DATE:

(SHEET 12)

70029A-000B

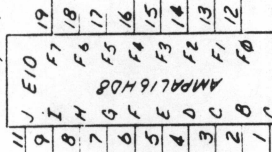


DATE	
REVISION	
APPROVED BY JH	DATE
CHECKED BY JH	DATE
TITLE	
TAPE FIFO RAM	700294-000B

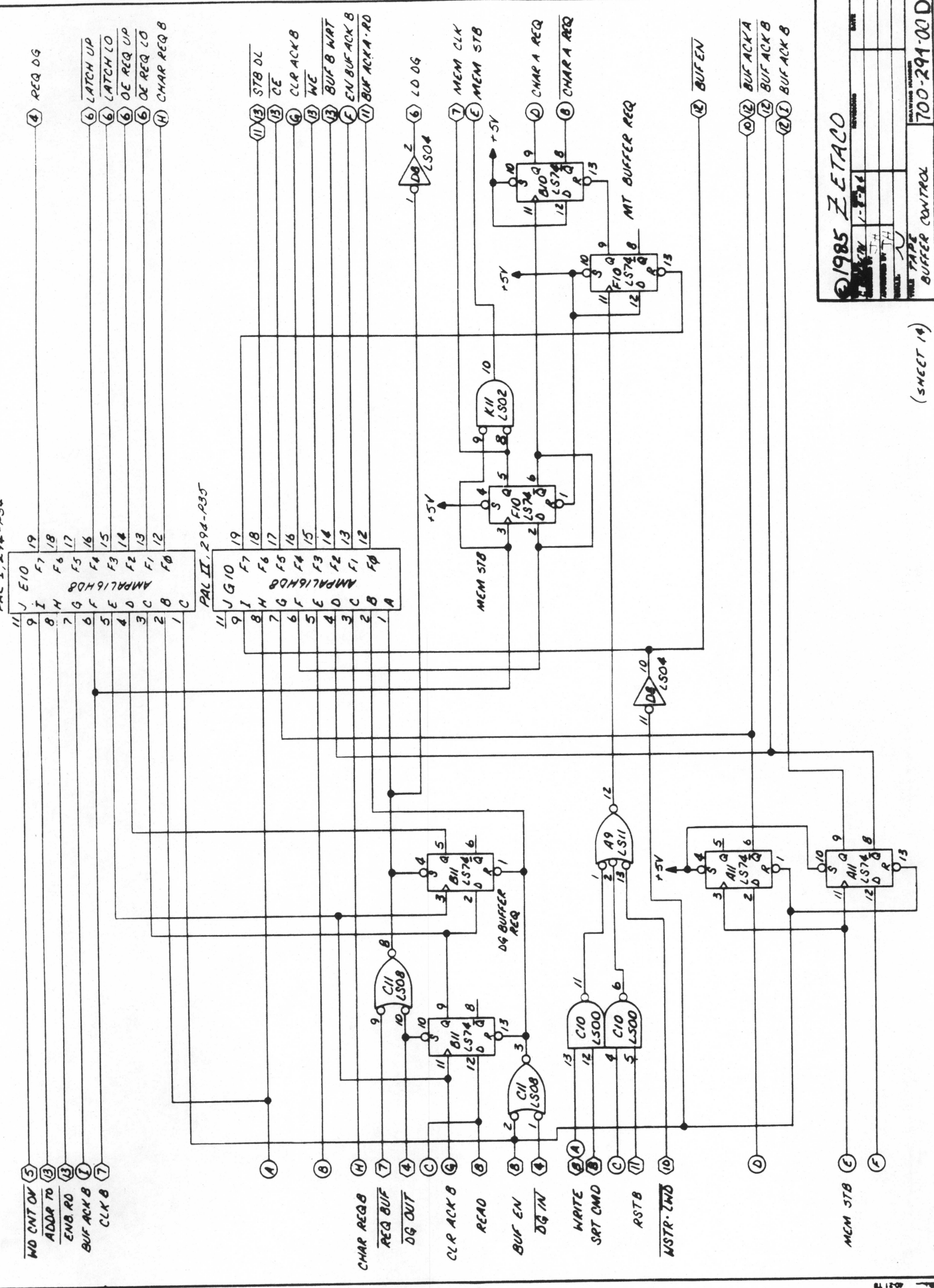
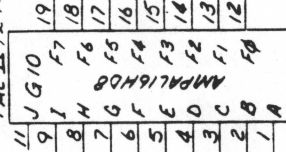
(SHEET 13)

700294-000B

PAL I, 294-A34



PAL II, 294-A35



1985 ZETACO

DATE: _____

DESIGNED BY: _____

APPROVED BY: _____

SCALE: _____

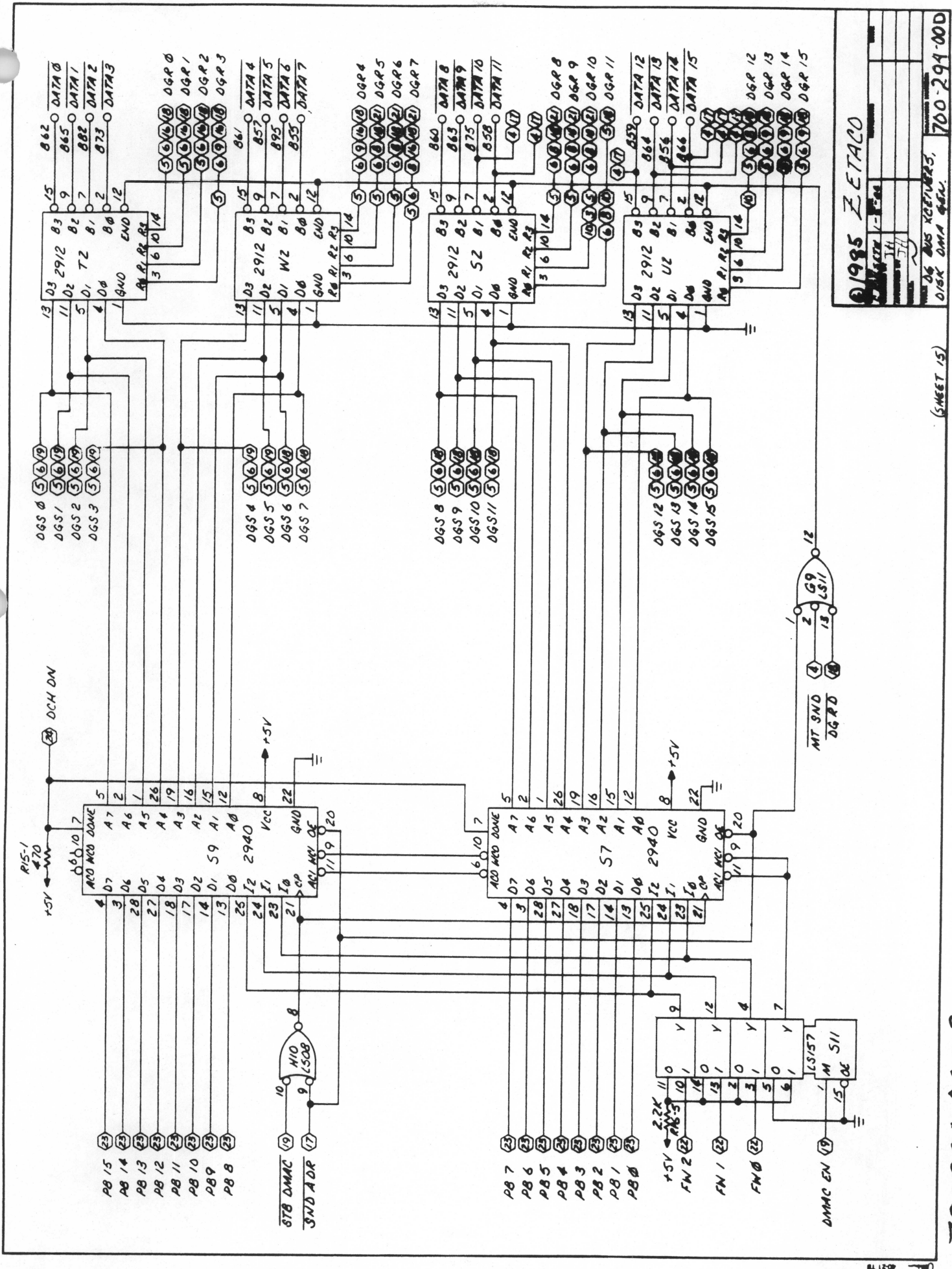
PROJECT NUMBER: 700-291-00D

REVISIONS:

NO.	DATE	DESCRIPTION

(SHEET 14)

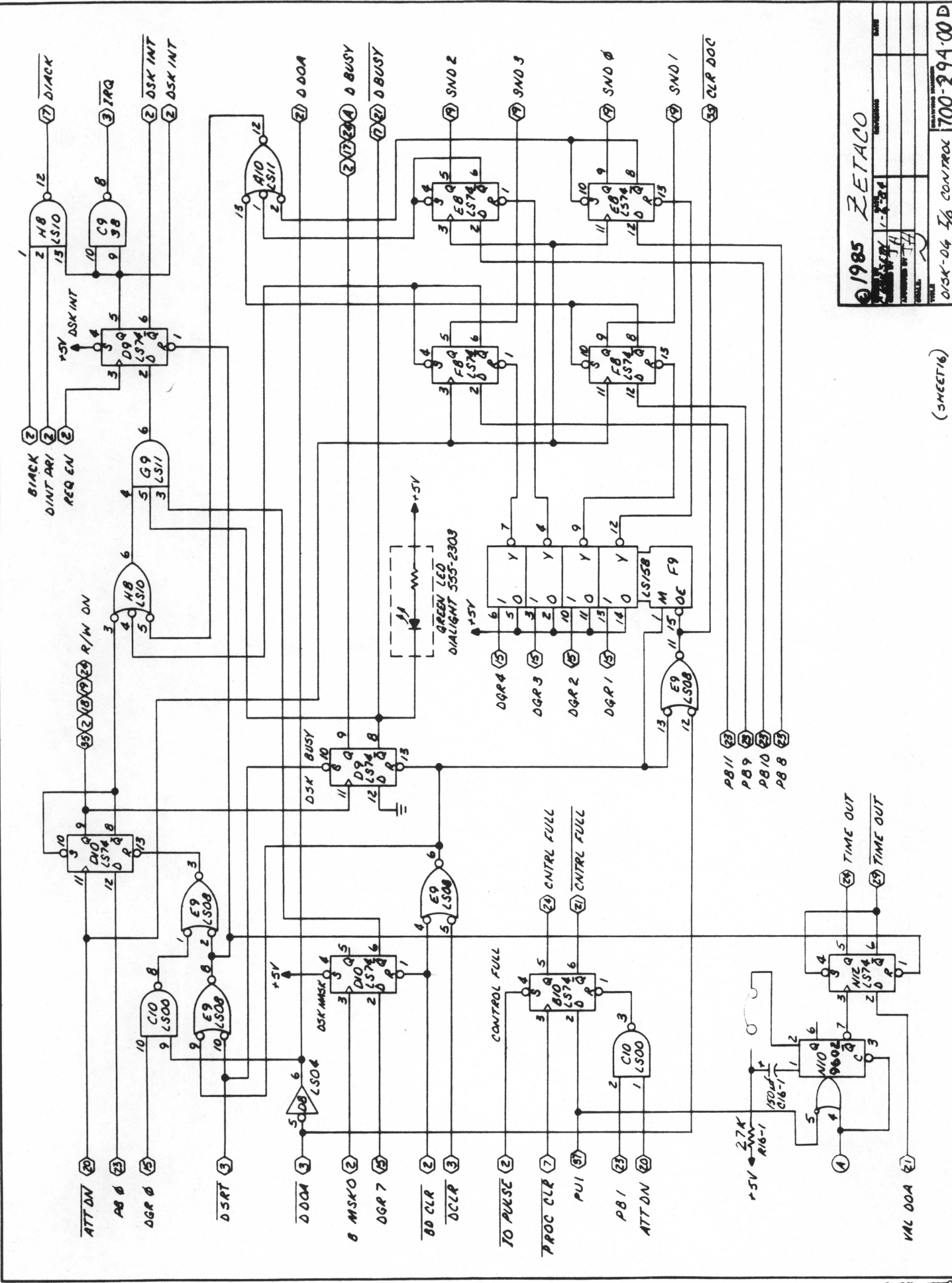
700294-000B



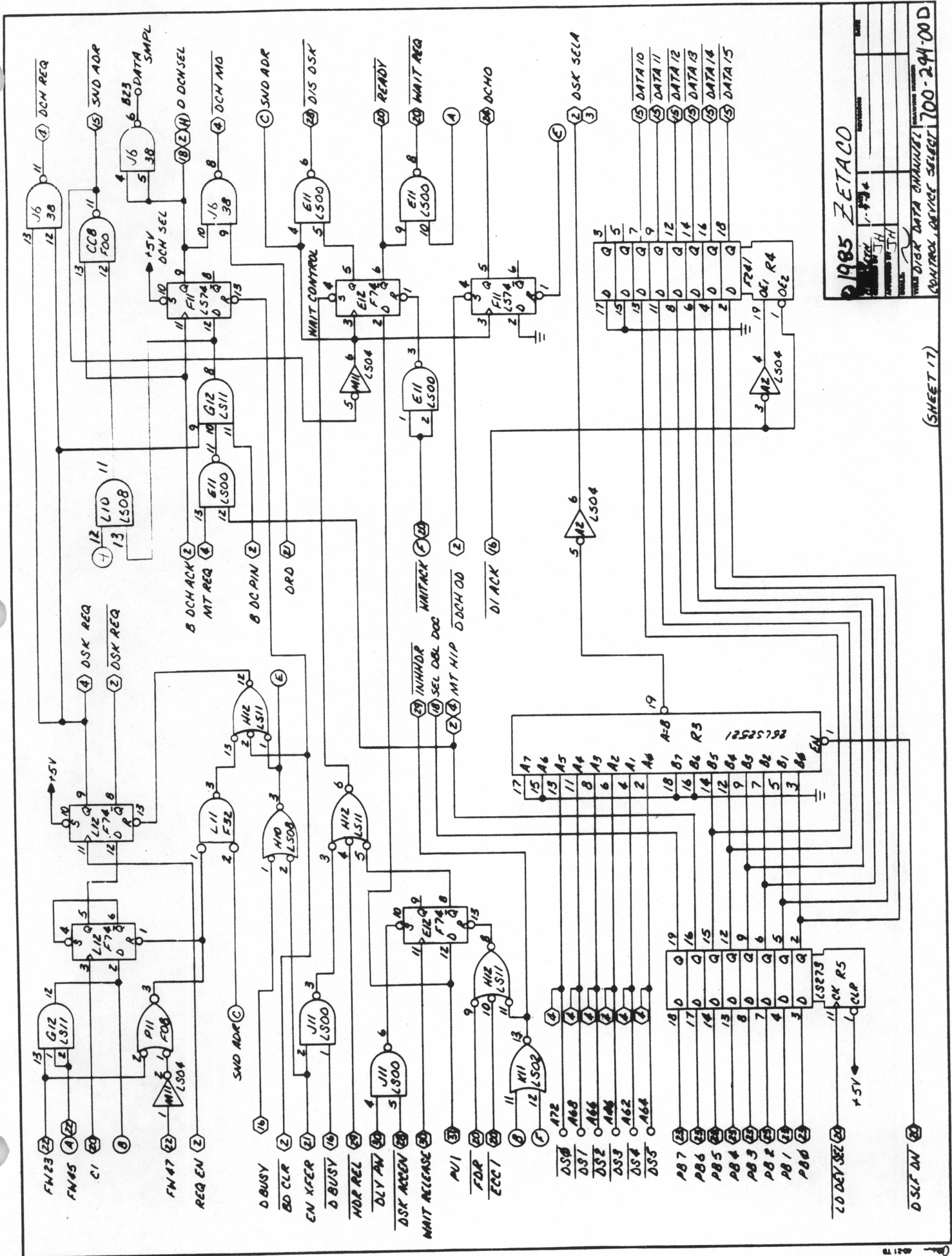
01995 ZETAO
 06 BUS RECEIVER, 700 294-000
 076K DMA 48L

(SHEET 15)

700 294-000 B



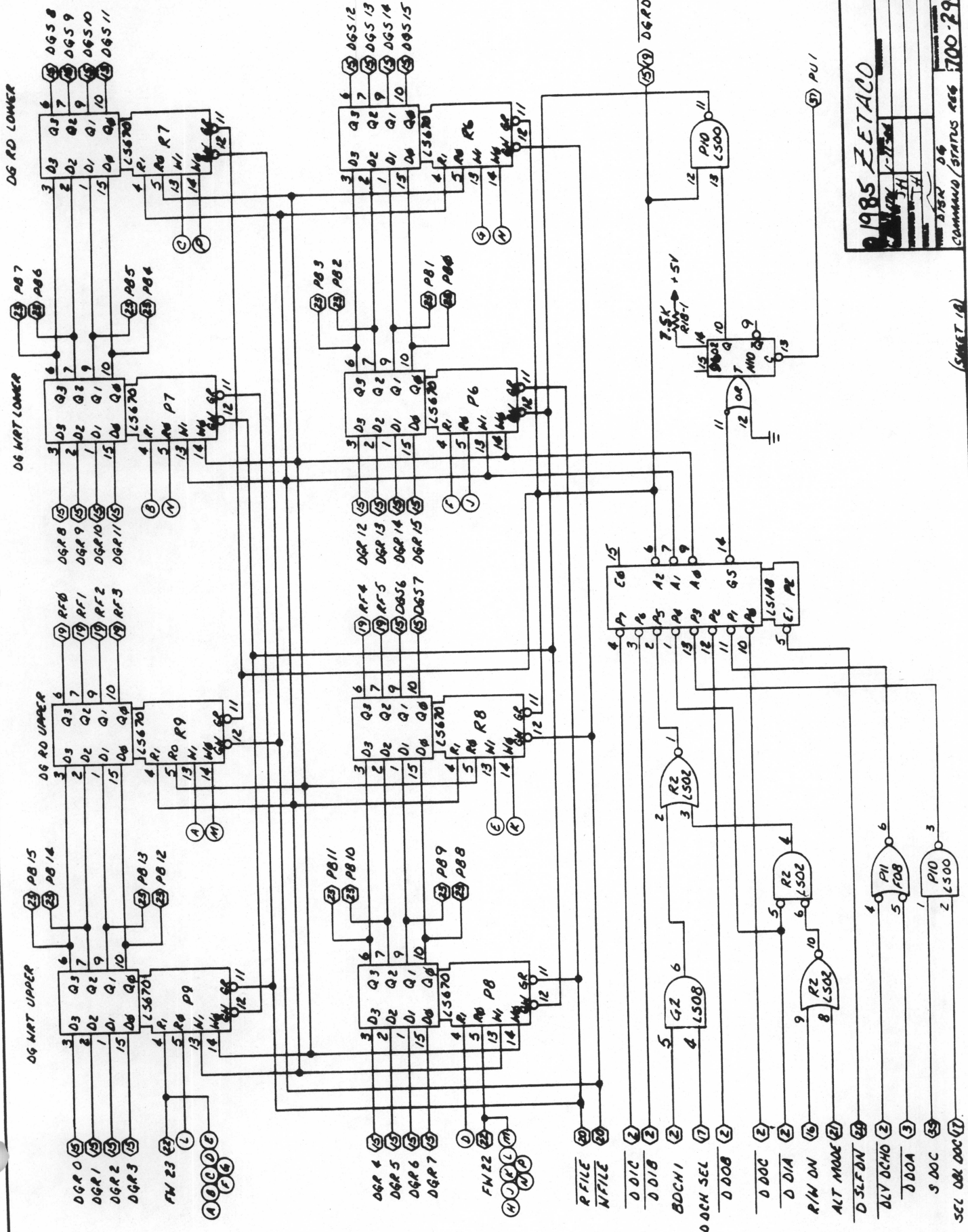
700294-000B



1985 ZETACD
 CONTROL SERVICE SERIAL 100-29400D

(SHEET 17)

700294-000B



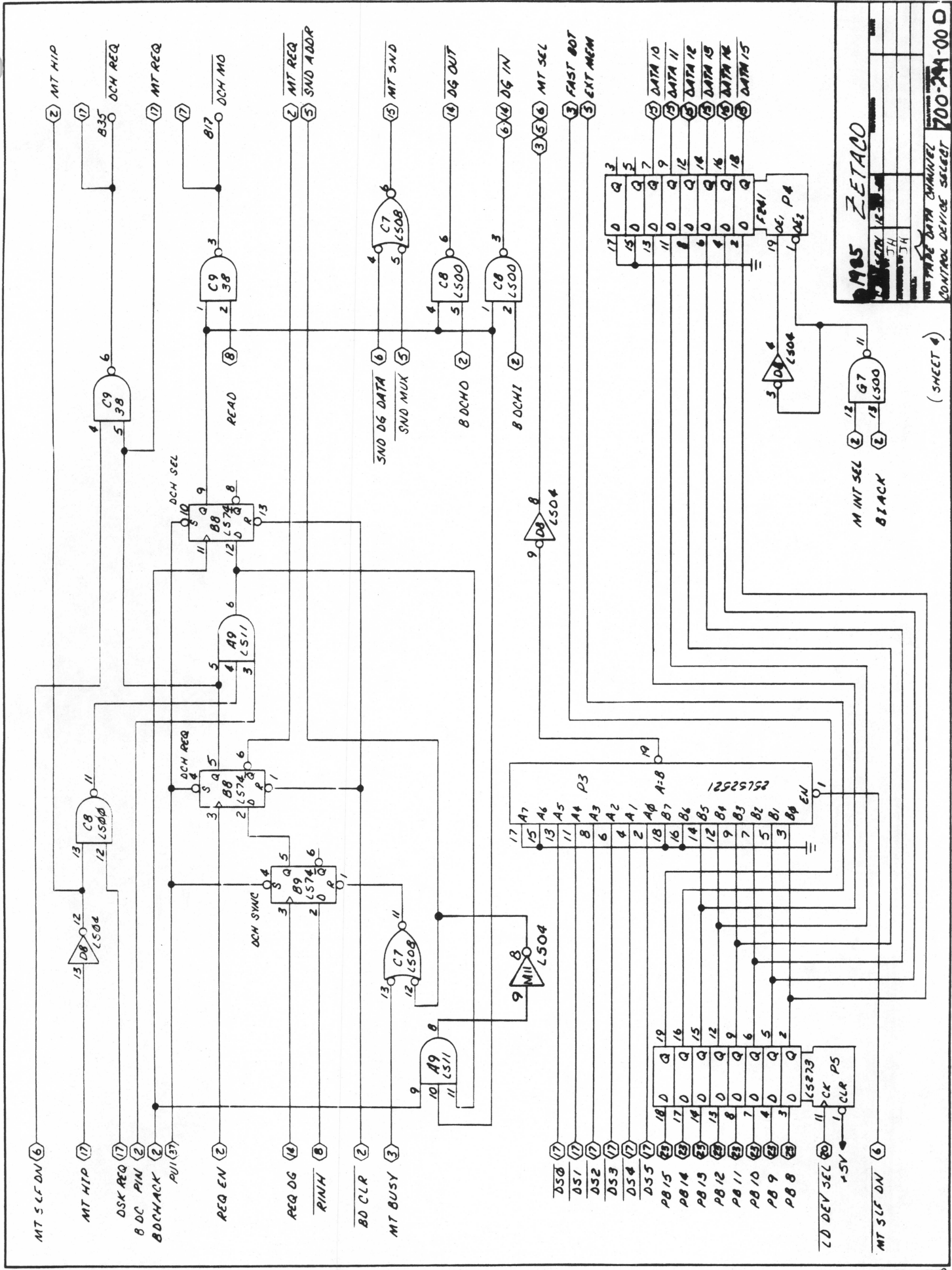
1985 ZETAC

75K 1/2W

COMMAND / STATUS REG 700-29A-00D

(SHEET 18)

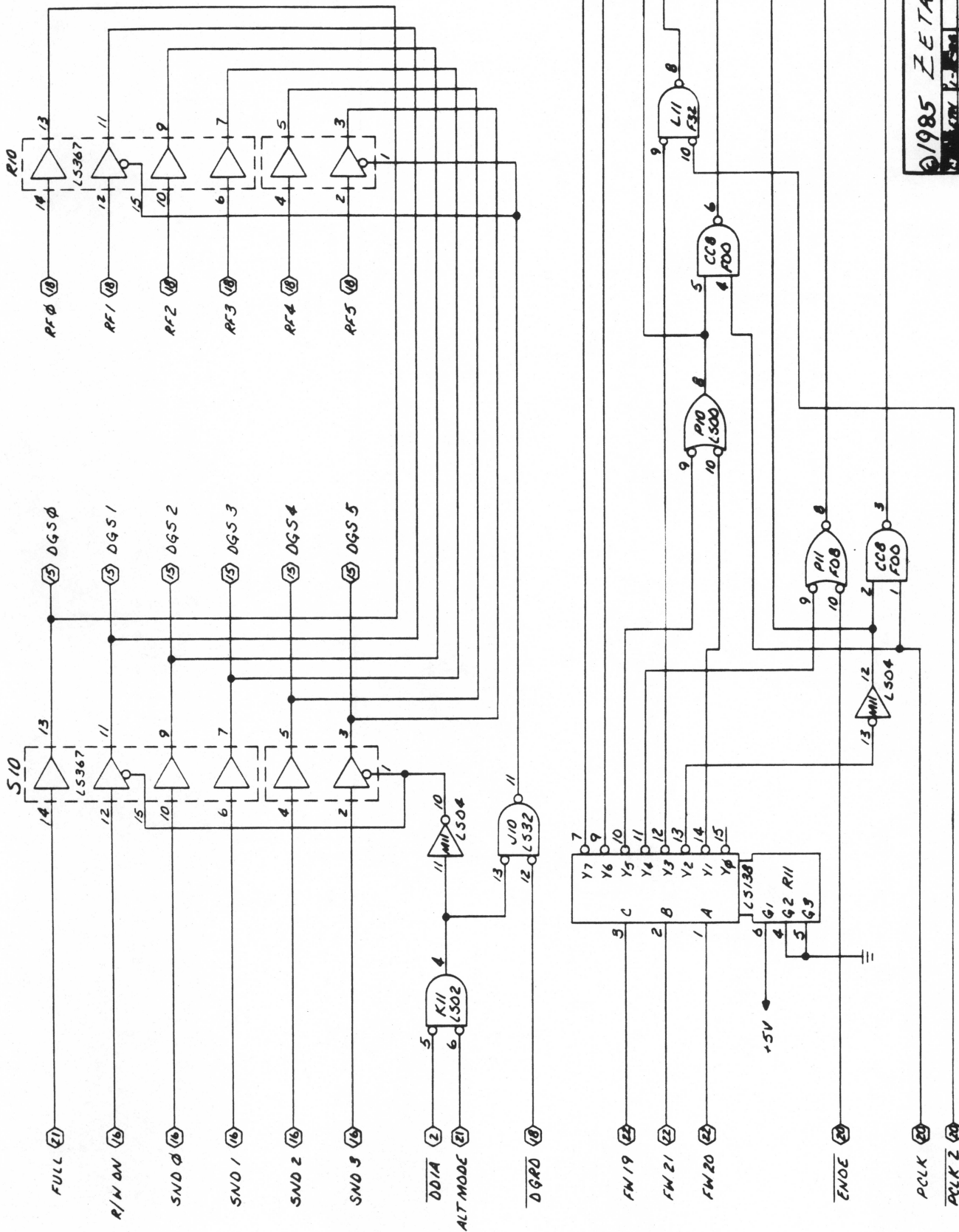
70029A-000B



ZETAC
 TAPE DATA CHANNEL
 CONTROL DEVICE SELECT
 700-29A-000

(SHEET 4)

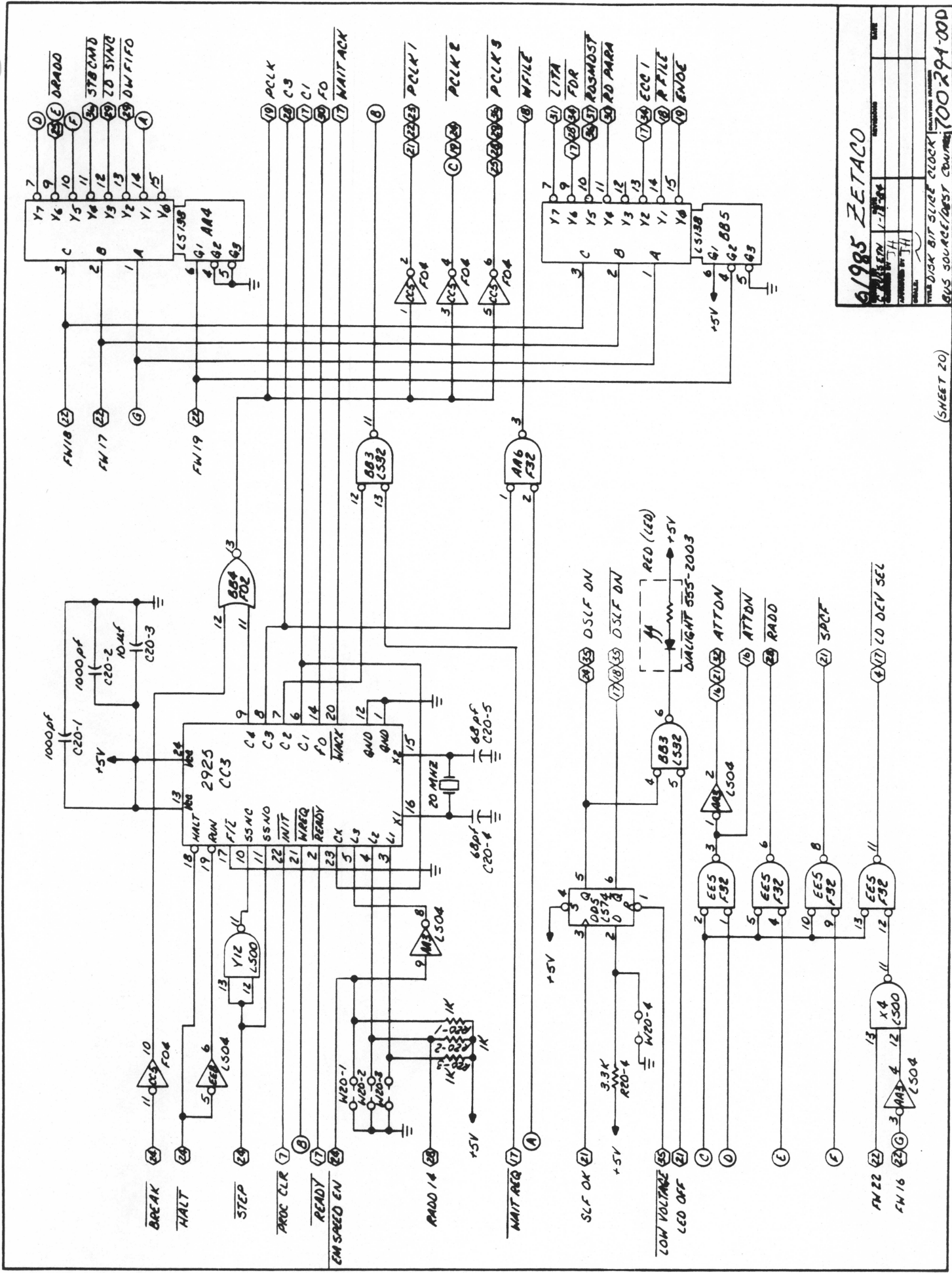
70029A-000B



1985 ZETACO
 SECRET OF DATA BUS
 700294-00D

(SHEET 19)

700294-000B



6/985 ZETACO

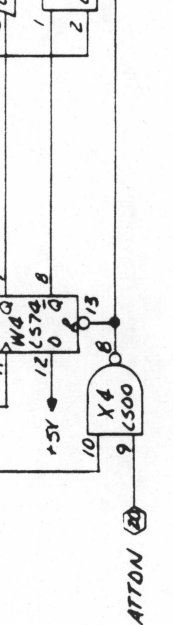
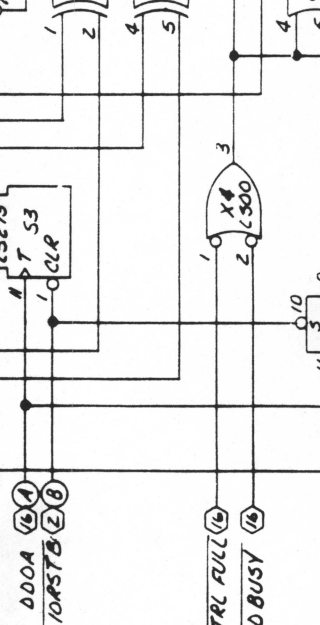
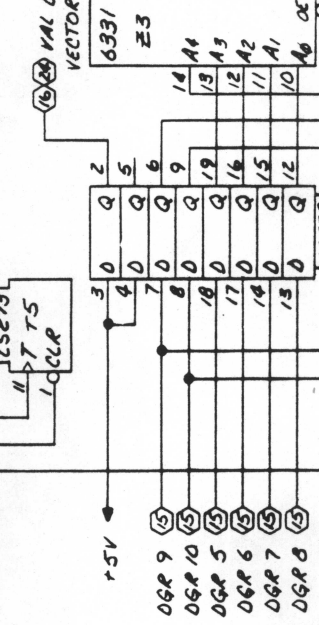
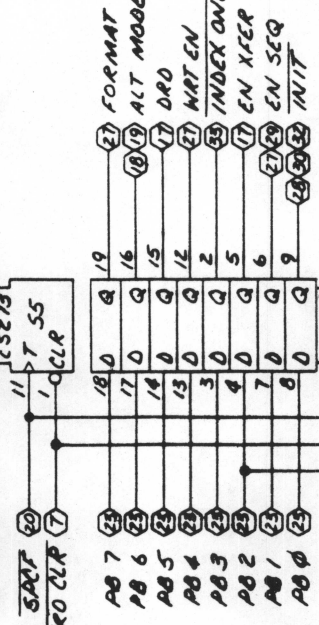
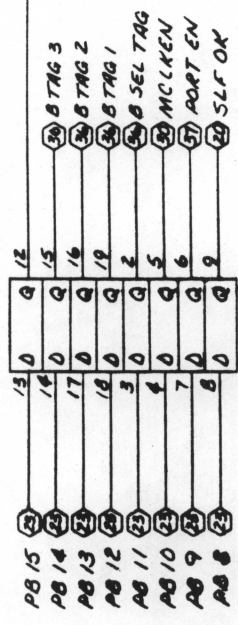
DATE	
DESIGNED BY	TH
CHECKED BY	TH
DATE	1-7-74

TITLE DISK BIT SLICE CLOCK
 BUS SOURCE/DEST COUNTERS 700294-000

(SHEET 20)

700294-000B

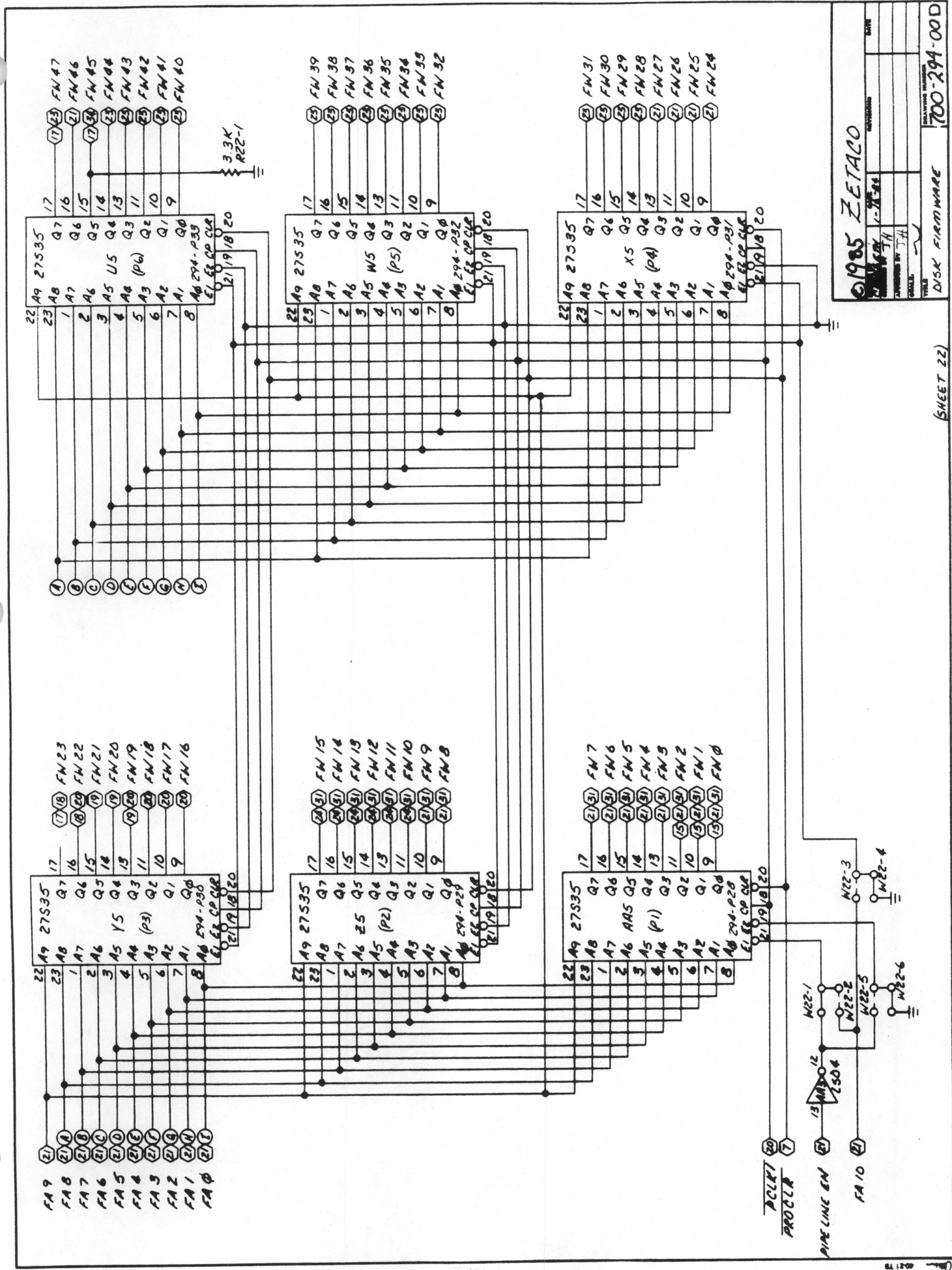
SPECIAL FUNCTION REG



1985 ZETACO
 DESIGNED BY: [Signature]
 APPROVED BY: [Signature]
 DATE: [Blank]
 DRAWING NUMBER: 700294-00D
 TITLE: DISK SPECIAL FUNC REG, INSTRUCTION SER

(SHEET 21)

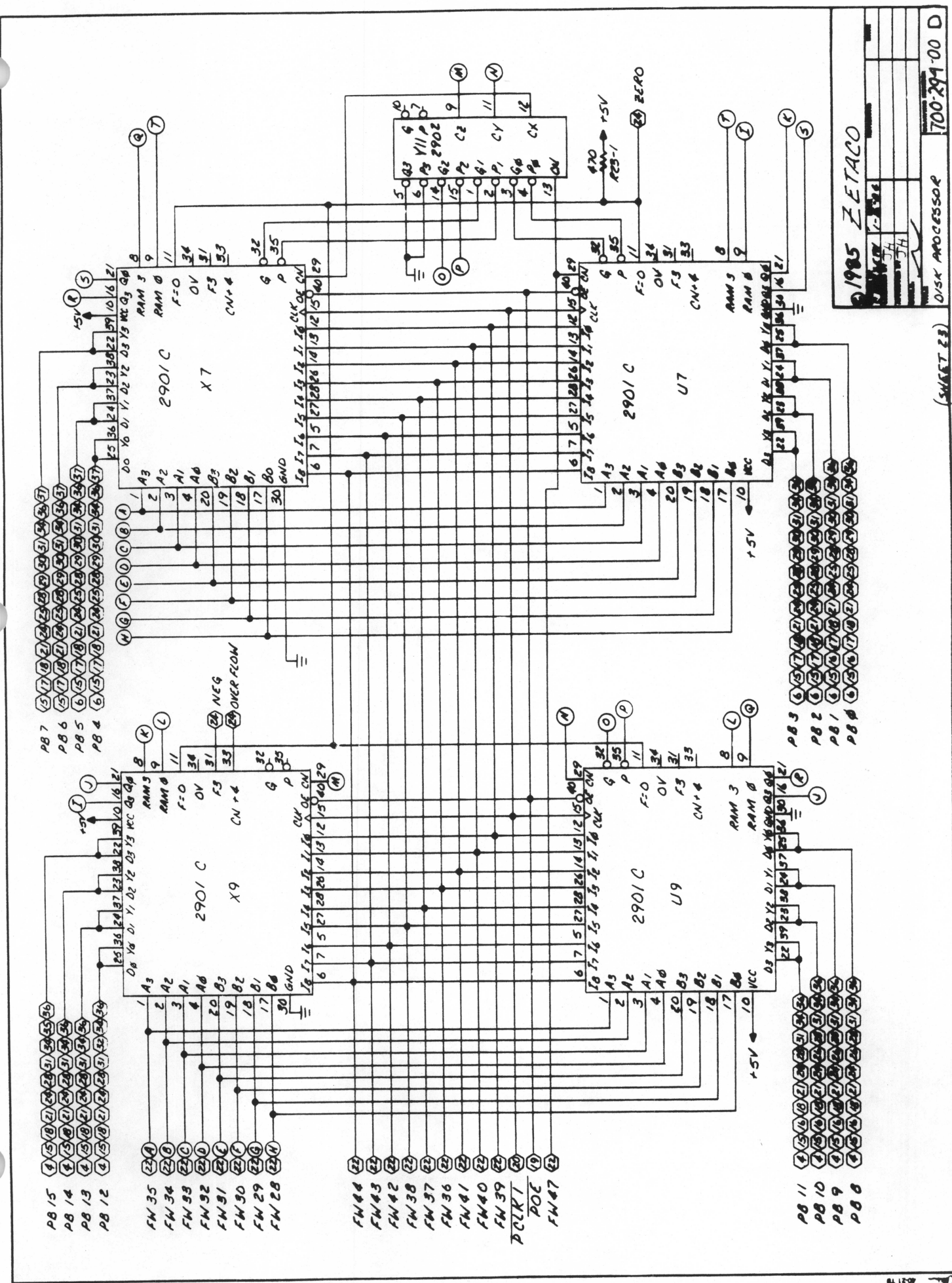
700294-000B



DATE: _____
 DRAWING NUMBER: **700-294-000**
 TITLE: **DISK FIRMWARE**
 APPROVED BY: J.H.
 CHECKED BY: J.H.
 DESIGNED BY: J.H.
 DATE: 1-28-88
©1985 ZETAC

(SHEET 22)

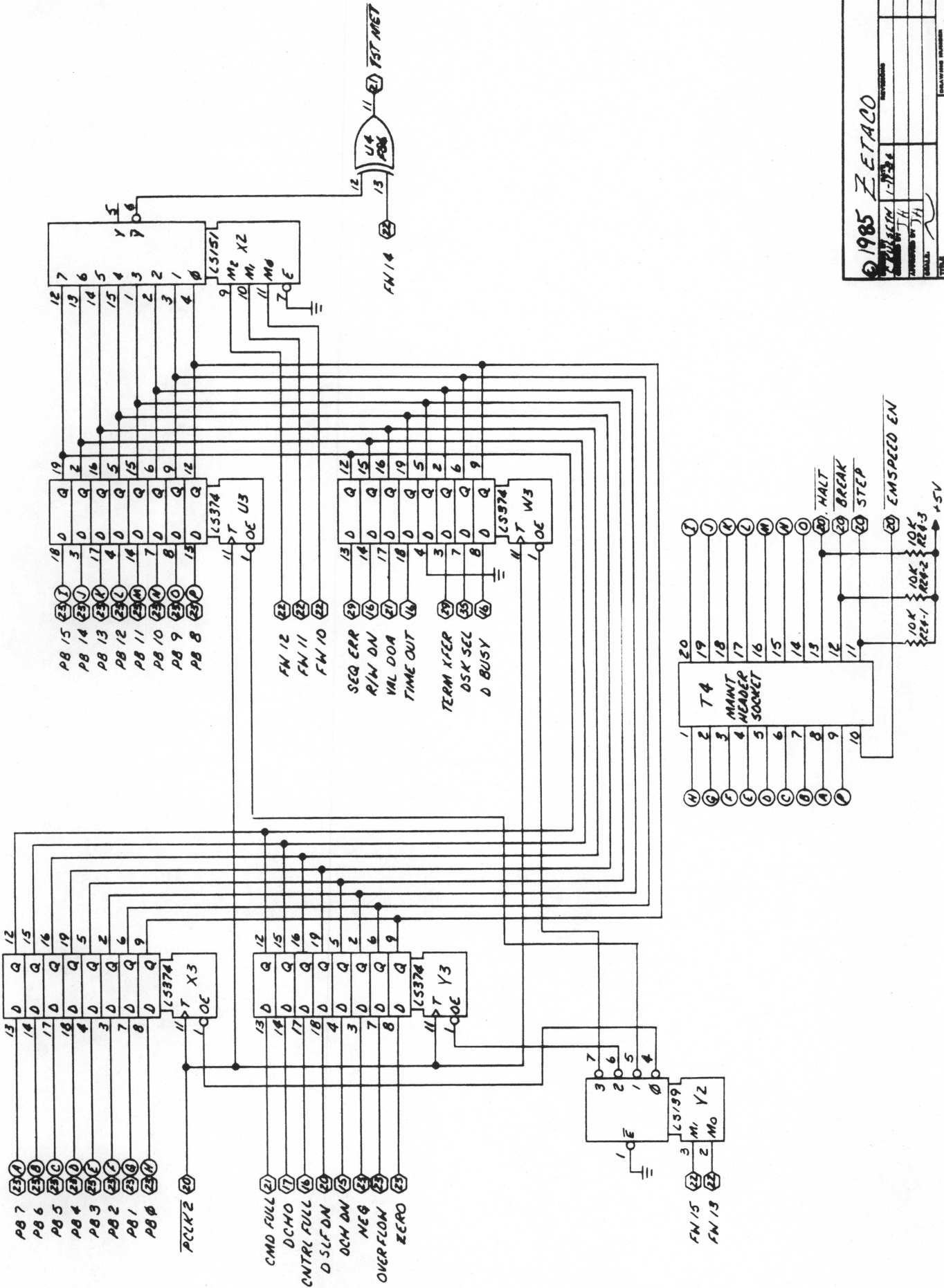
700294-000B



700294-000B

(SHEET 23)

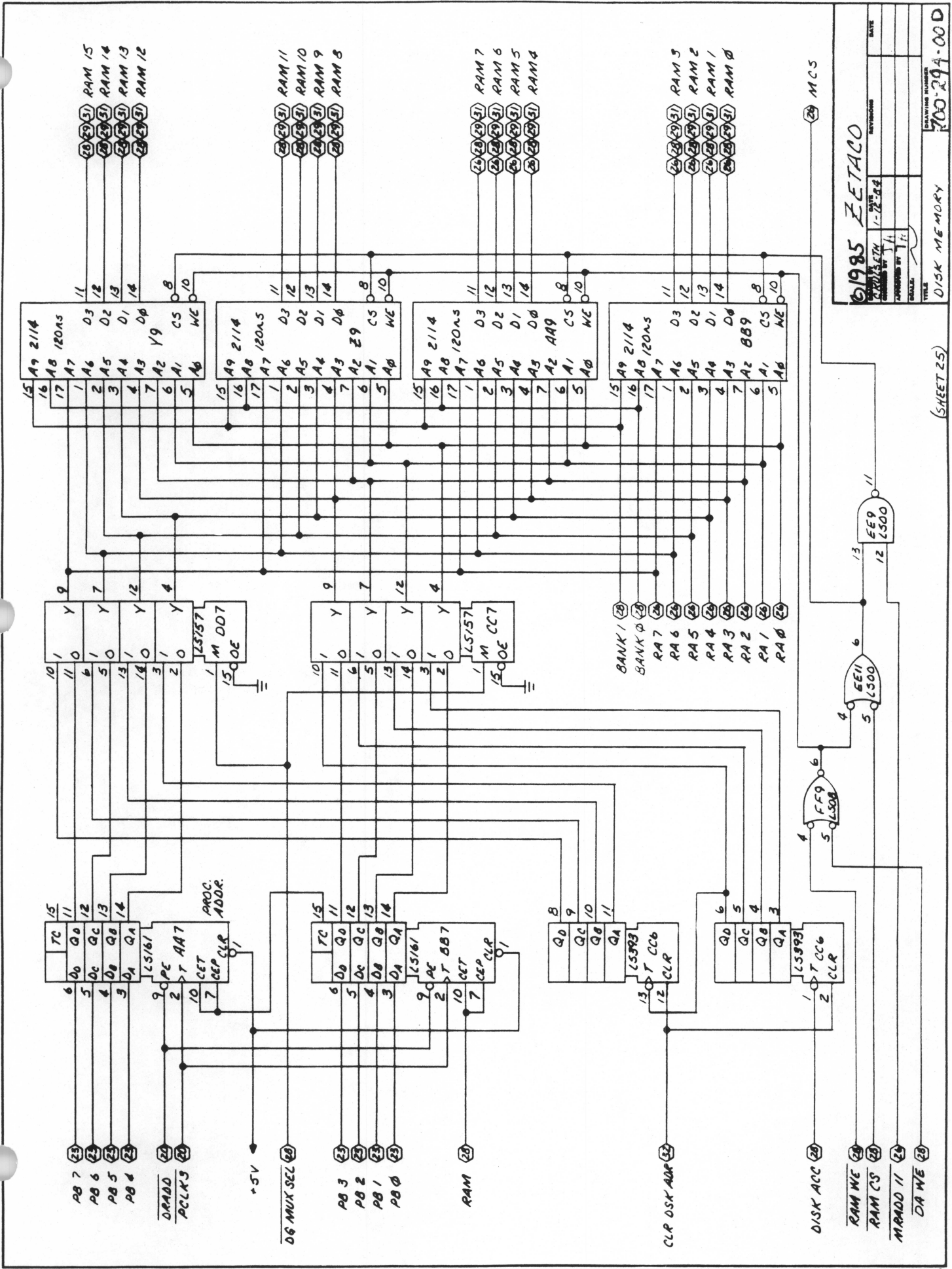
1985 ZETAC	
D/ISK PROCESSOR	700-294-00 D



1985 ZETACO
 DISK TEST CONTROL
 700-291-00 D

(SHEET 24)

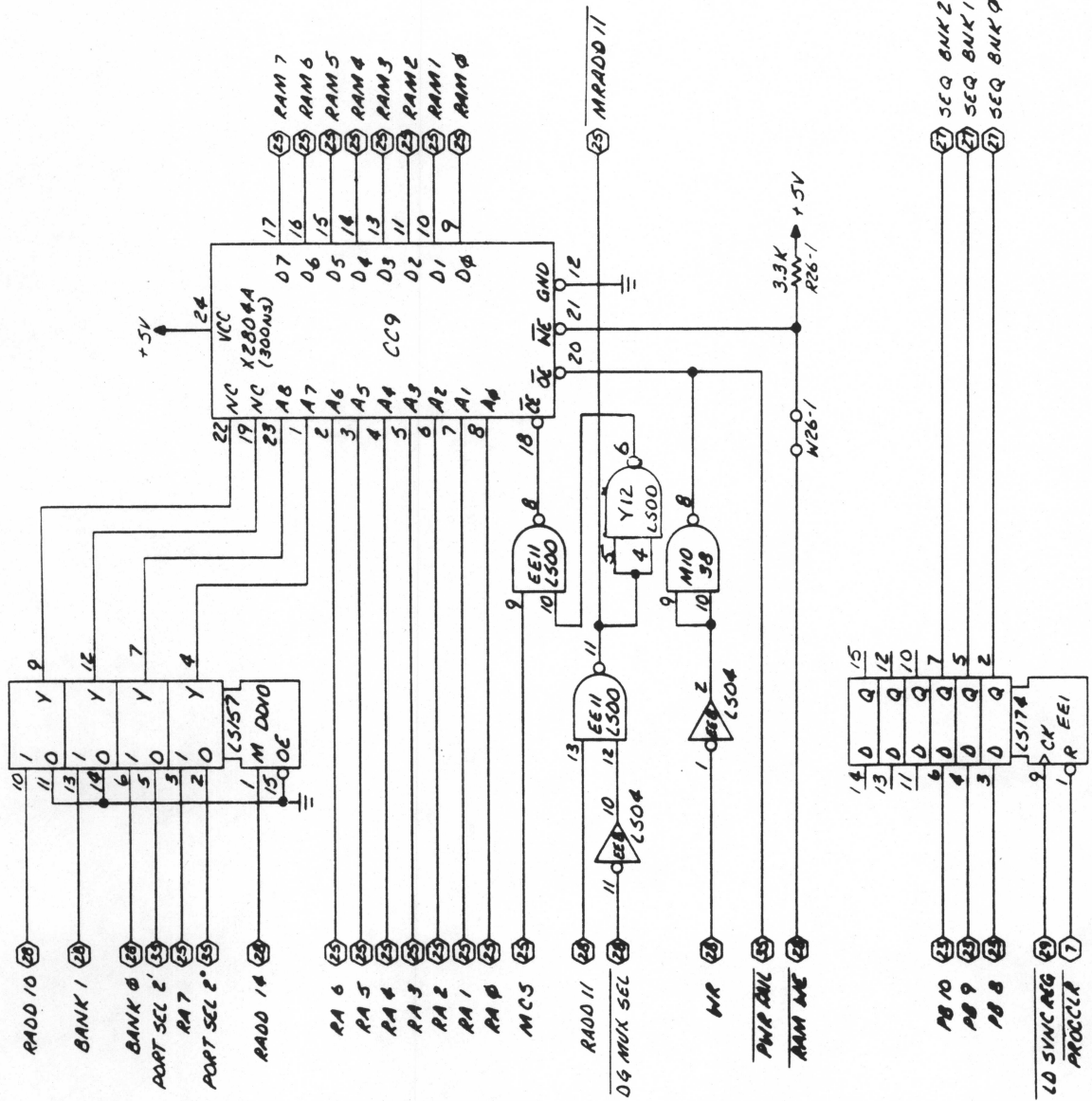
700294-000B



61985 ZETACO
 DRAWING NUMBER: 700-294-000
 DATE: _____
 APPROVED BY: _____
 CHECKED BY: _____
 TITLE: DISK MEMORY

(SHEET 25)

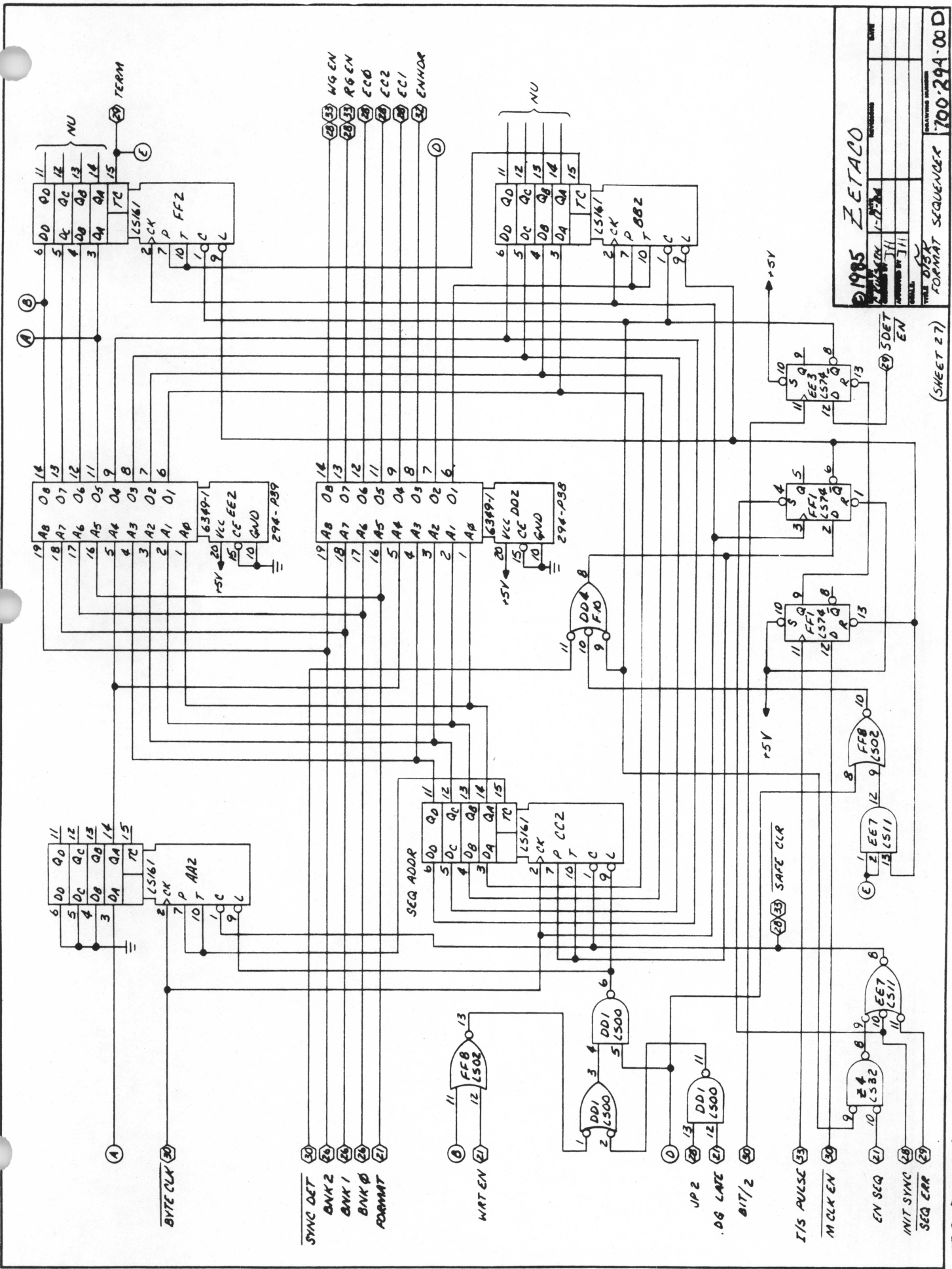
700294-000B



ZETACO		REVISIONS	DATE
1-28-84			
DESIGNED BY	TH		
CHECKED BY	TH		
DATE			
QUANTITY			
ORDER NUMBER			
700294-000			

(SHEET 24)

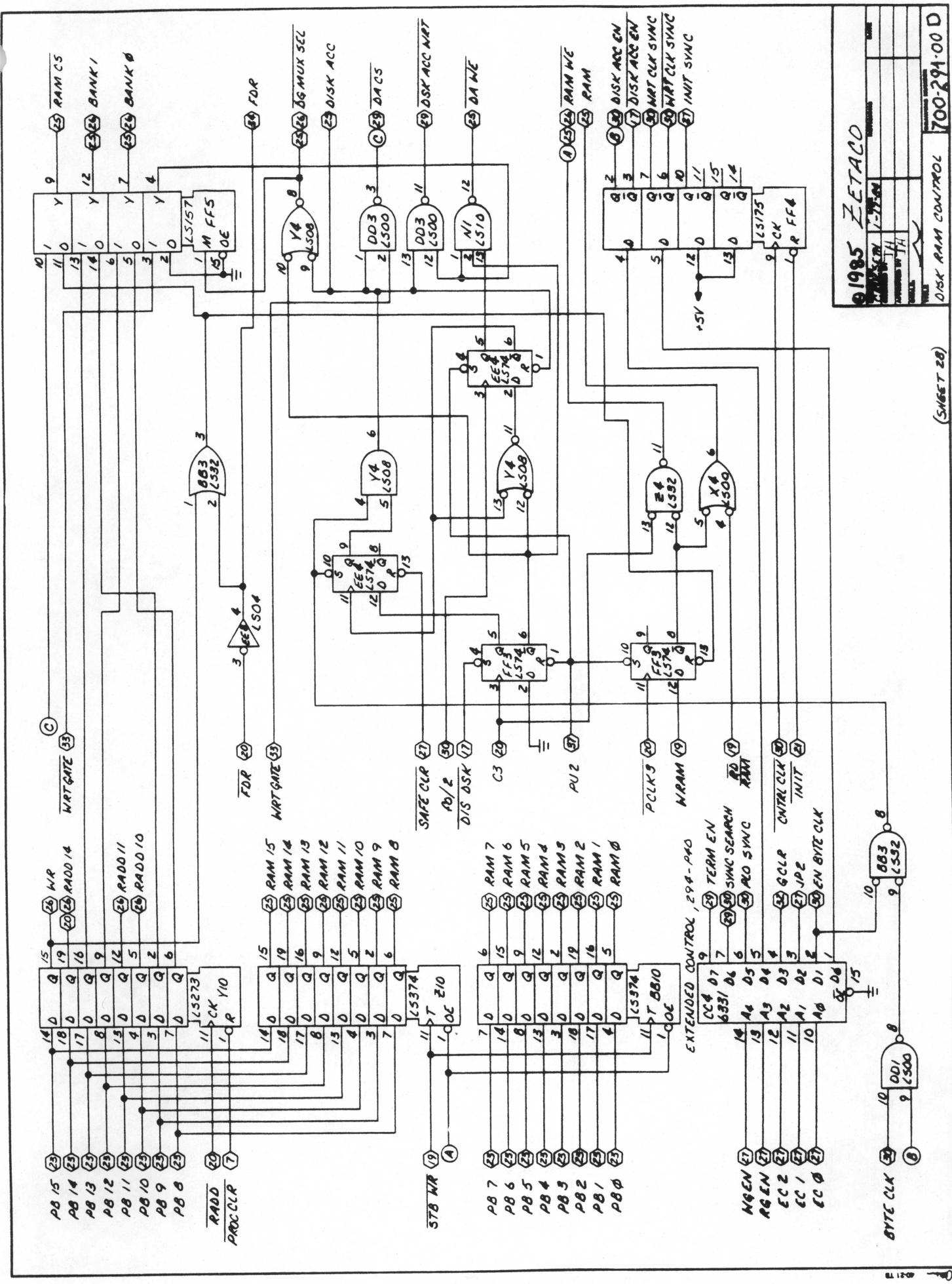
700294-000B



1985 ZETAC
 ZETAC 700-294-000
 PART NUMBER 700-294-000
 DATE 1/78
 DRAWN BY JH
 CHECKED BY JH
 APPROVED BY JH
 TITLE 700-294-000
 PART NUMBER 700-294-000

(SHEET 27)

700294-000B

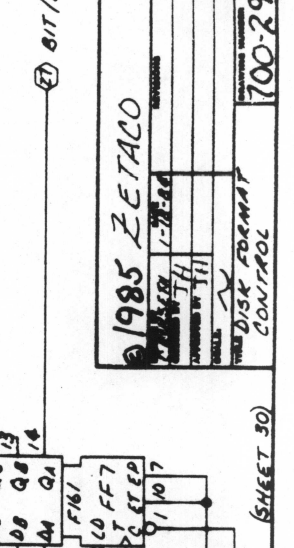
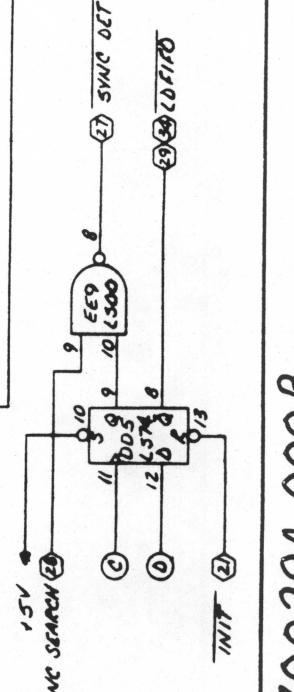
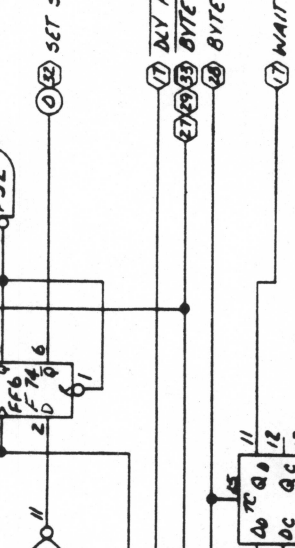
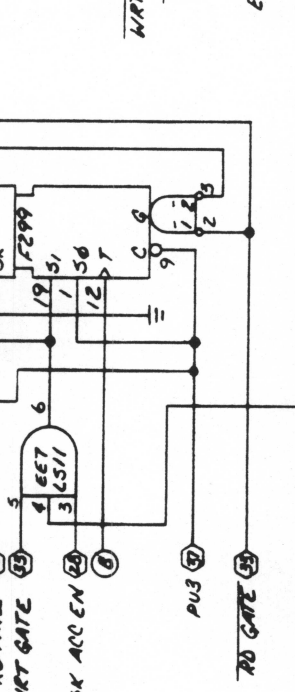
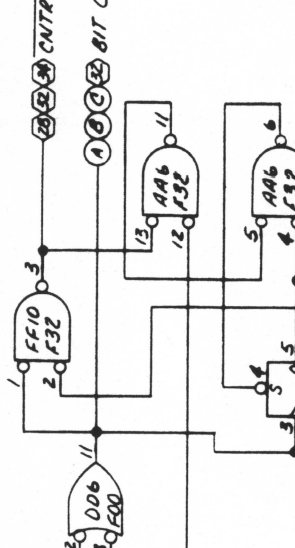
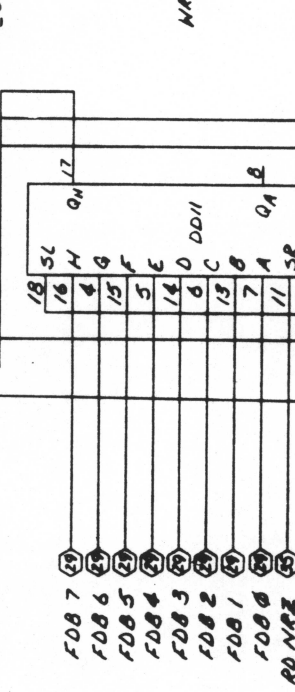
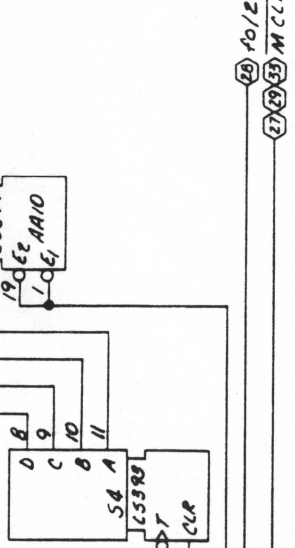
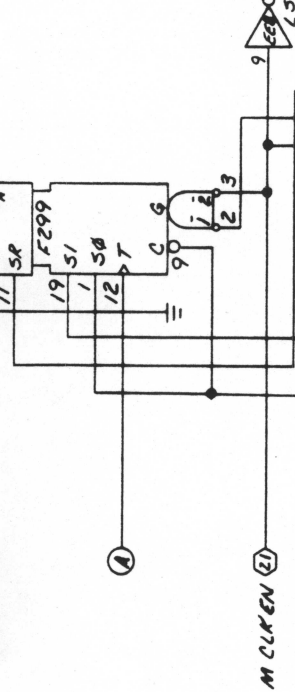
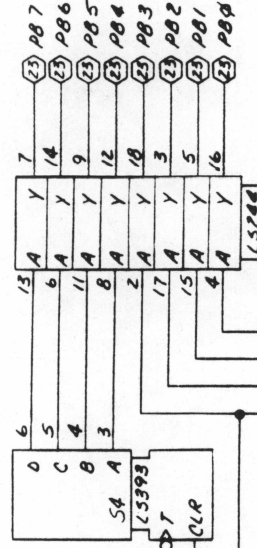
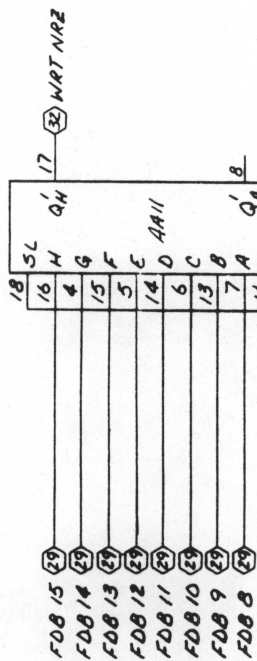


1985 ZETAC
 DISK RAM CONTROL 700291-00 D
 1-75-82
 1-75-82
 1-75-82
 1-75-82

(SHEET 28)

700291-000 B

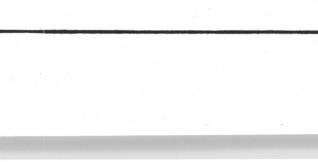
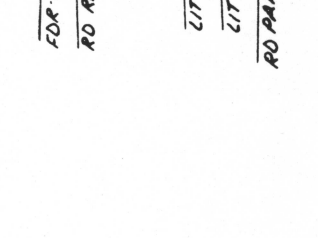
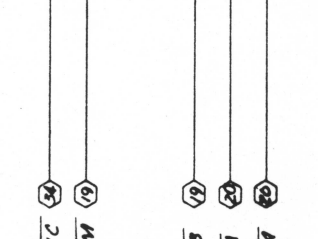
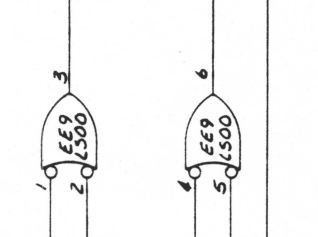
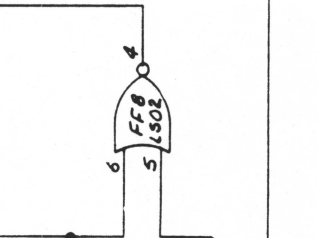
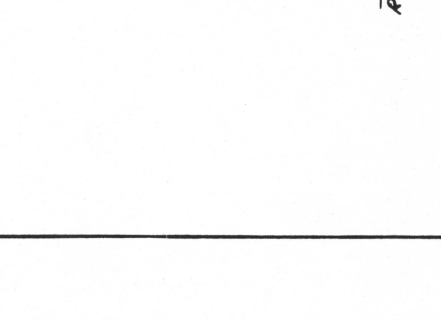
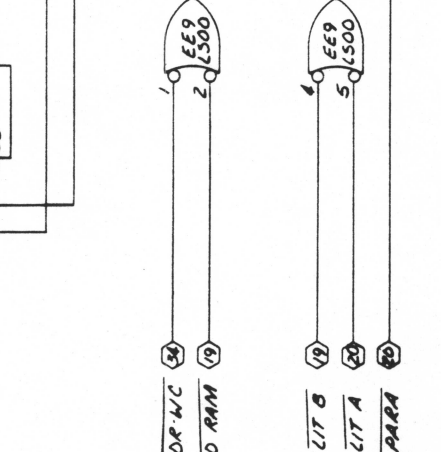
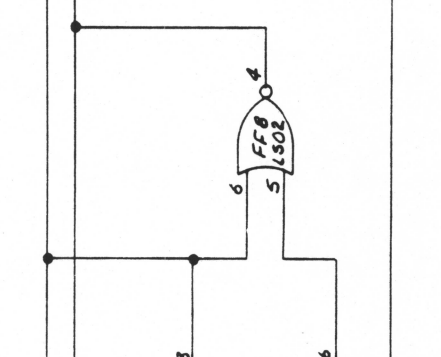
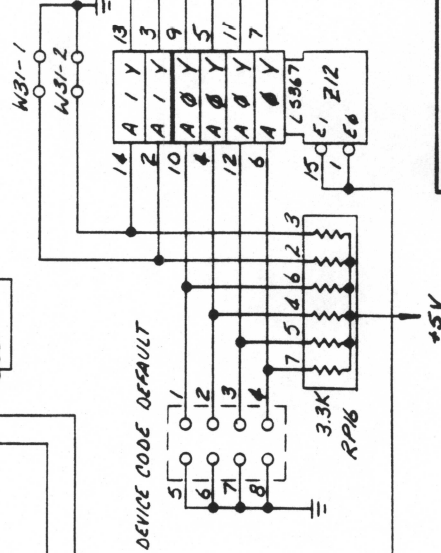
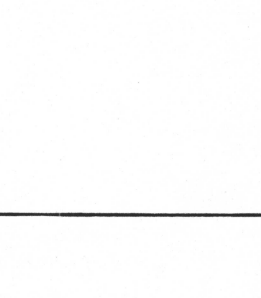
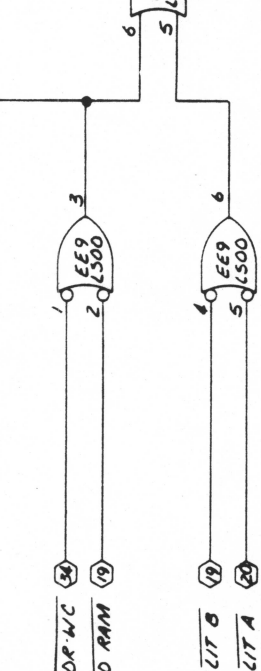
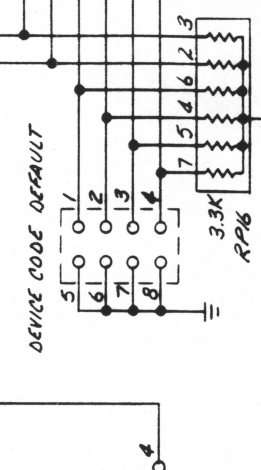
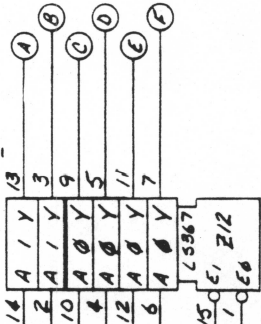
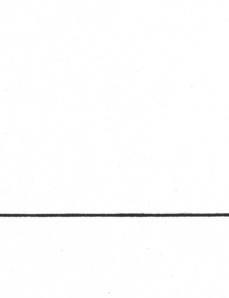
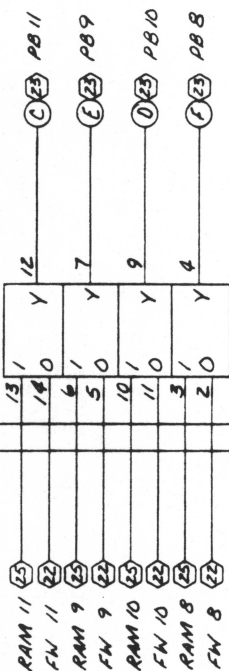
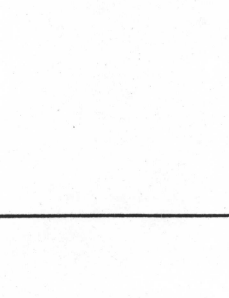
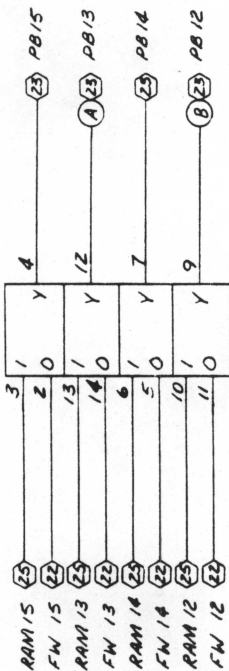
WRT SHIFT REGISTER



1985 ZETACO
 MODEL 1-78-84
 MANUFACTURED BY ZETACO
 DISK FORMAT CONTROL
 700-294-000

700294-000B

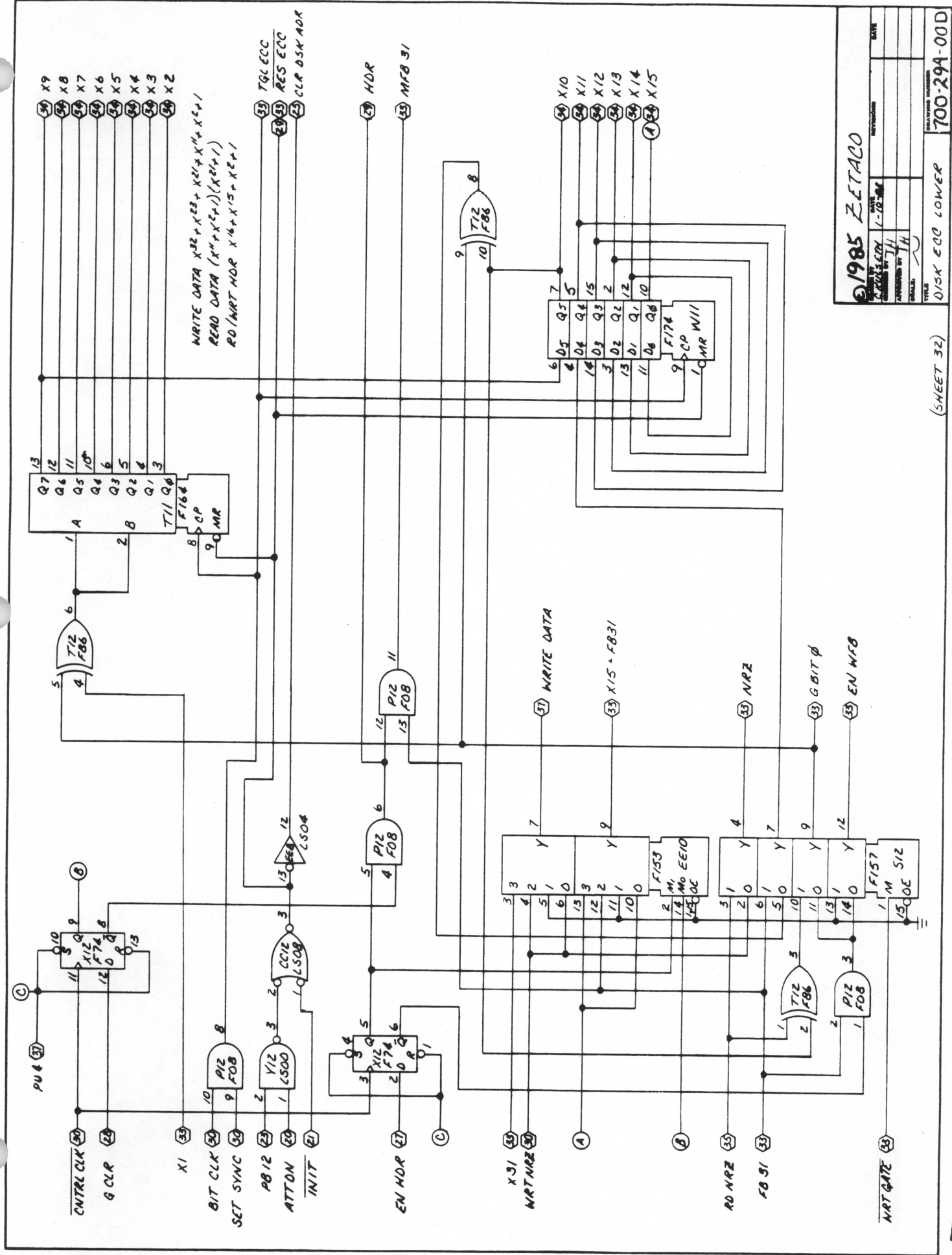
SHEET 30



1985 ZETAC0	
DATE	1-1985
DESIGNED BY	JH
CHECKED BY	JH
APPROVED BY	JH
SCALE	
TITLE	DISK PB READ MUX
FIG. NO.	700-294-00 D

(SHEET 31)

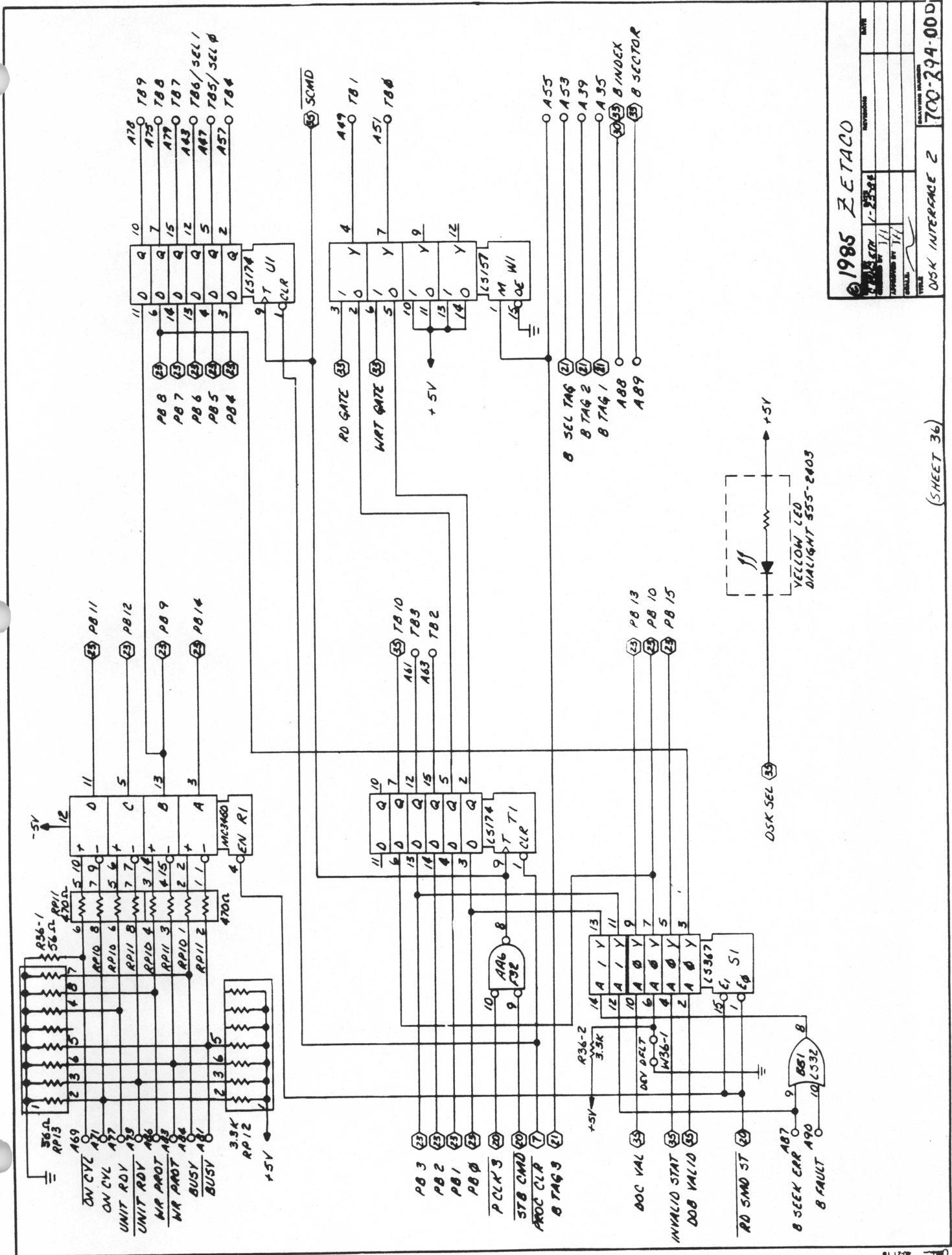
700294-000 B



1985 ZETACO
 DATE 1-10-84
 DRAWN BY JH
 CHECKED BY JH
 TITLE 015K ECC LOWER
 PART NUMBER 700-29A-000

(SHEET 32)

70029A-000B



© 1985 ZETACO

DATE: _____

DESIGNED BY: _____

APPROVED BY: _____

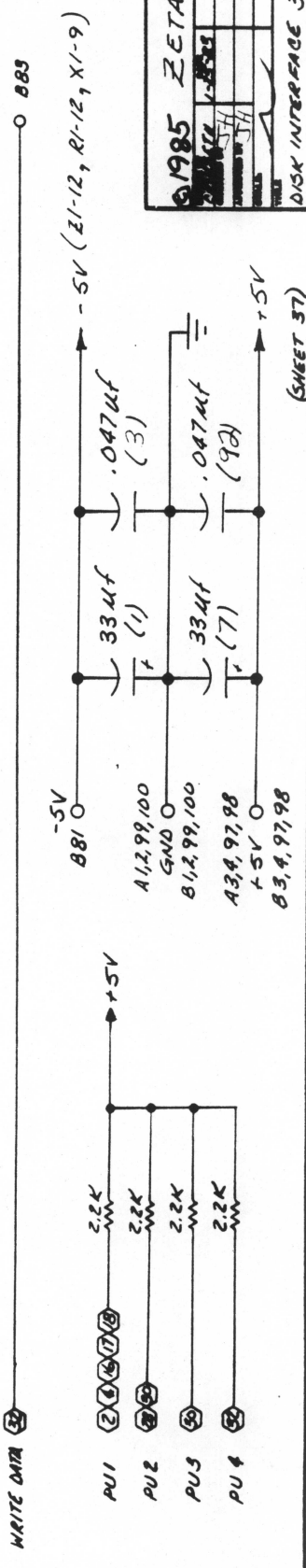
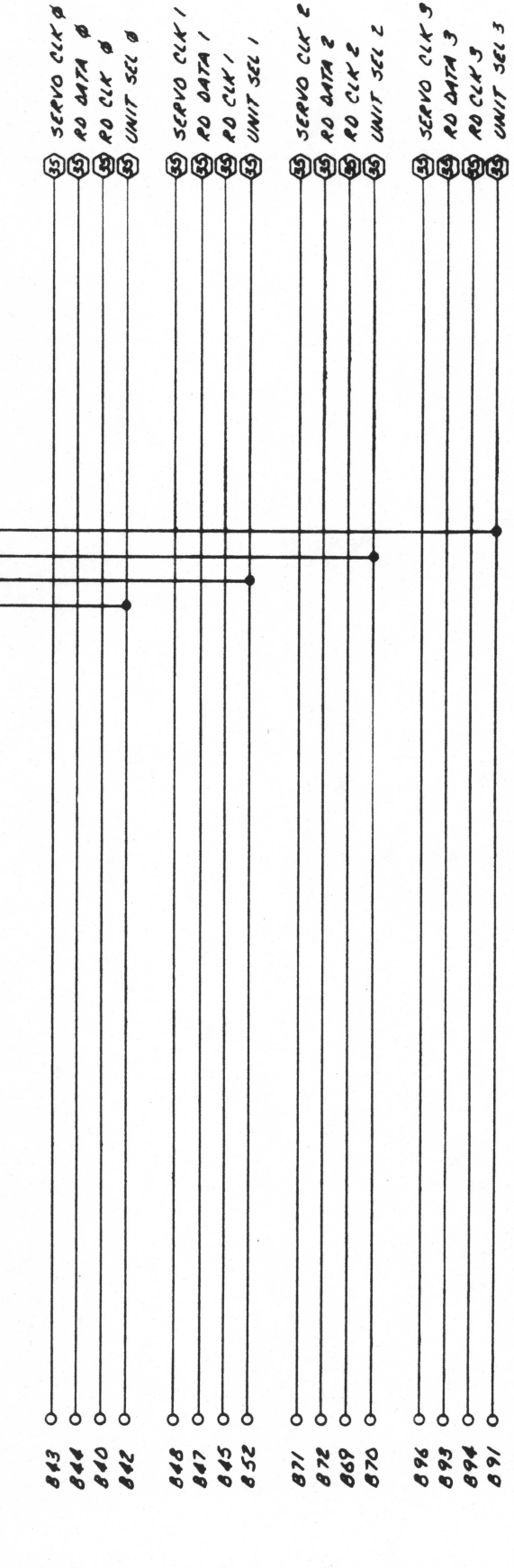
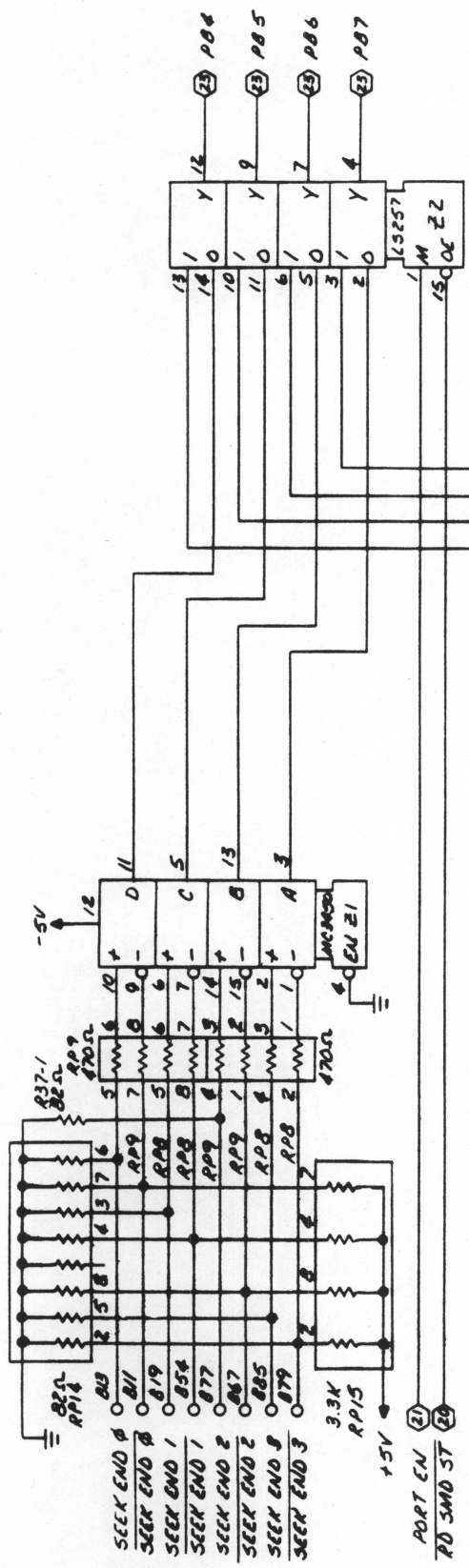
SCALE: _____

TITLE: DISK INTERFACE 2

DRAWING NO.: 700-294-000

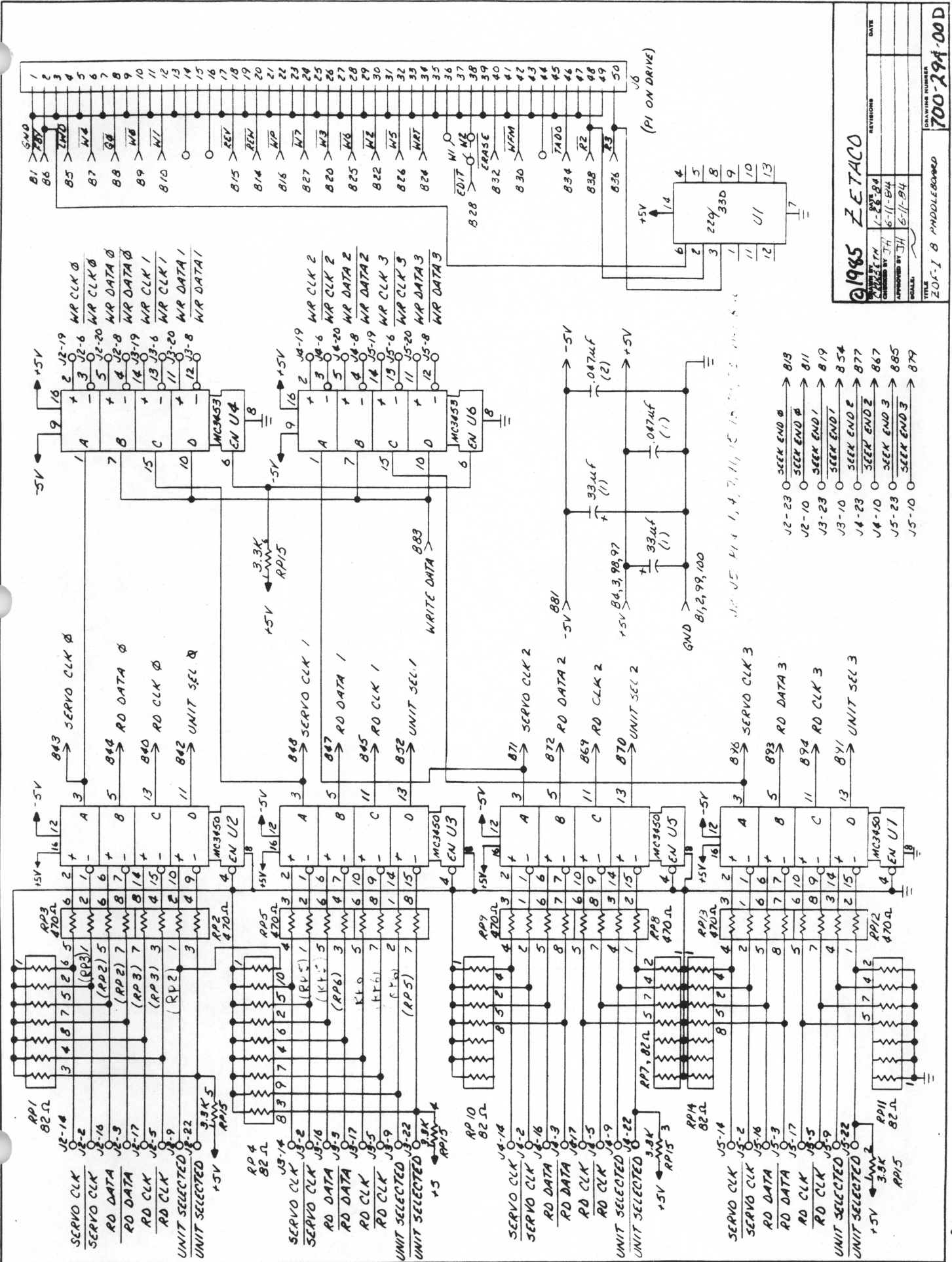
(SHEET 36)

700294-000B



1985 ZETACO
 DISK INTERFACE 3 700-294-000

700294-000B



1985 ZETACO

DRAWN BY: JH
 CHECKED BY: JH
 APPROVED BY: JH
 SCALE:

REVISION	DATE
1-2-84	
6-11-84	
6-11-84	

DRAWING NUMBER: **700294-000B**
 TITLE: **PDP-11 8 MODULE BOARD**

700294-000B

