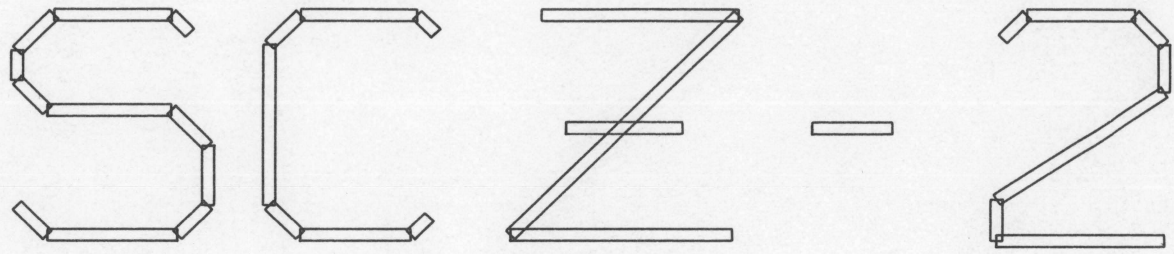



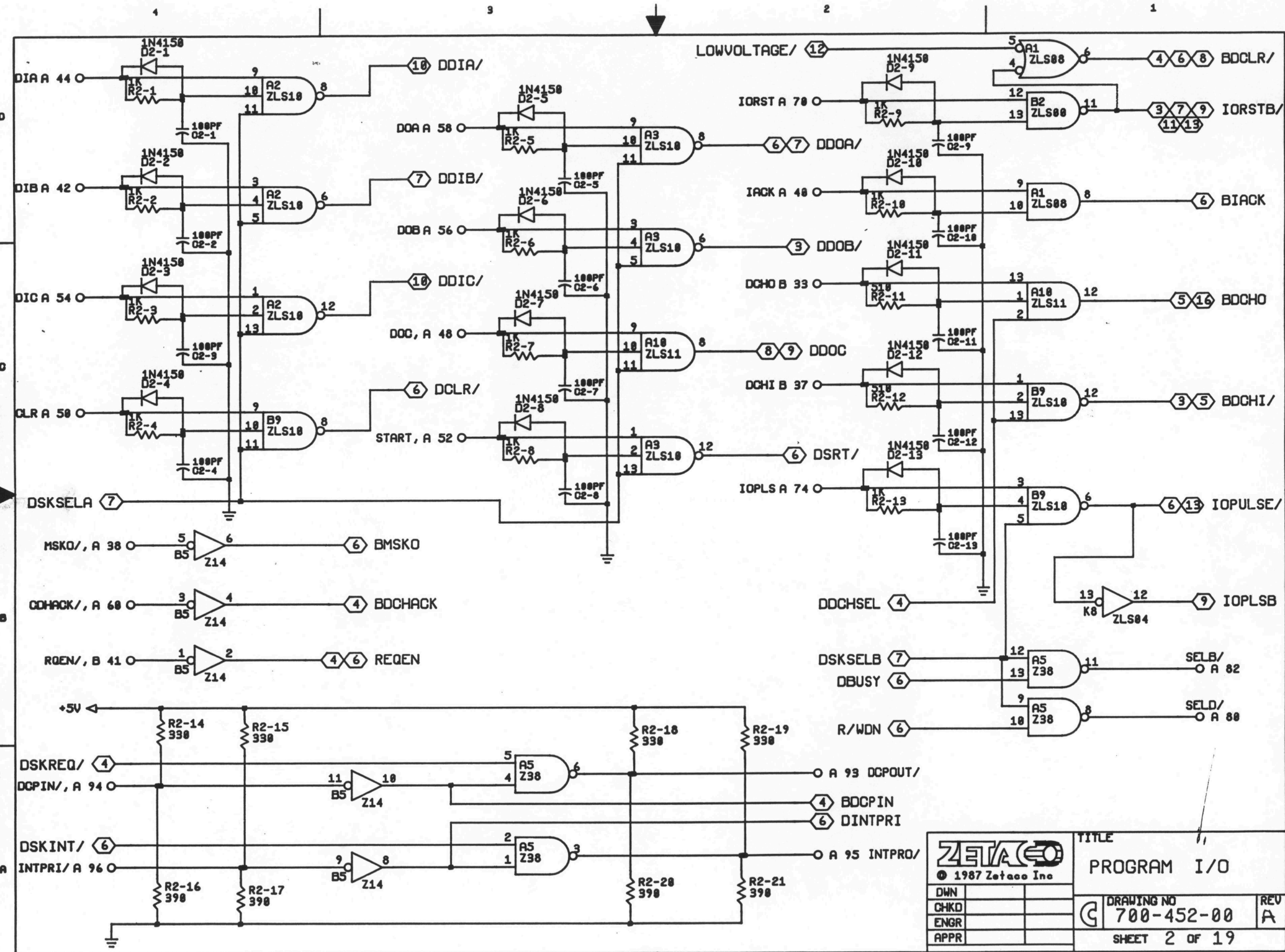
REVISION HISTORY						
REV	ECO	DESCRIPTION	DRFT	DATE	CHKD	APP
A	~	RELEASED		9-87		



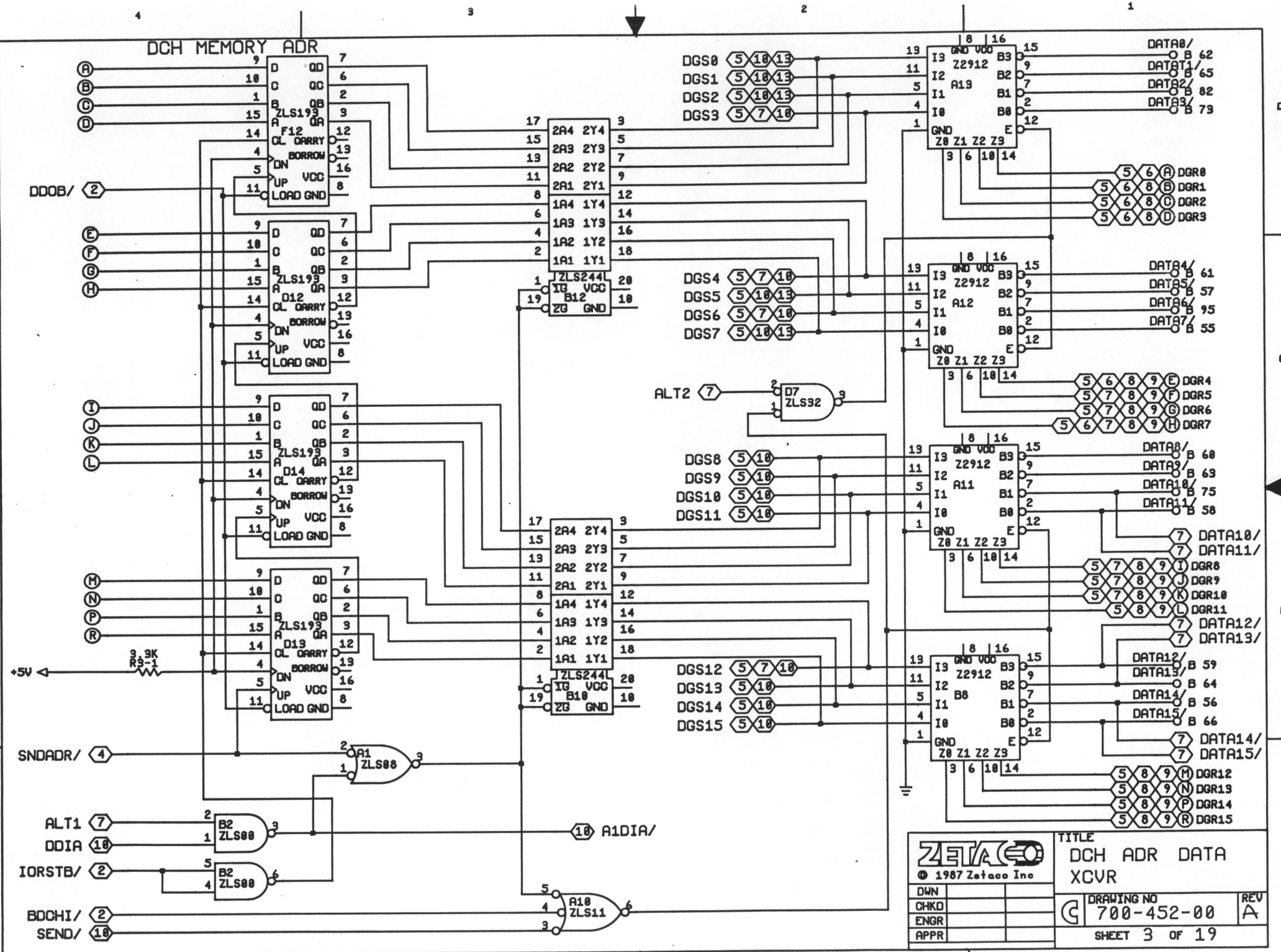
SPARE GATES

LS00	K14	11,12,13
	L13	11,12,13
LS02	H4	8,9,10,11,12,13
LS08	A1	11,12,13
LS10	D2	8,9,10,11
	G9	8,9,10,11
LS11	F5	8,9,10,11,12,13,1,2
14	G6	12,13
LS32	D7	11,12,13
	K10	11,12,13
	F2	11,12,13
26S02	C1	9,10,11,12,13,14,15

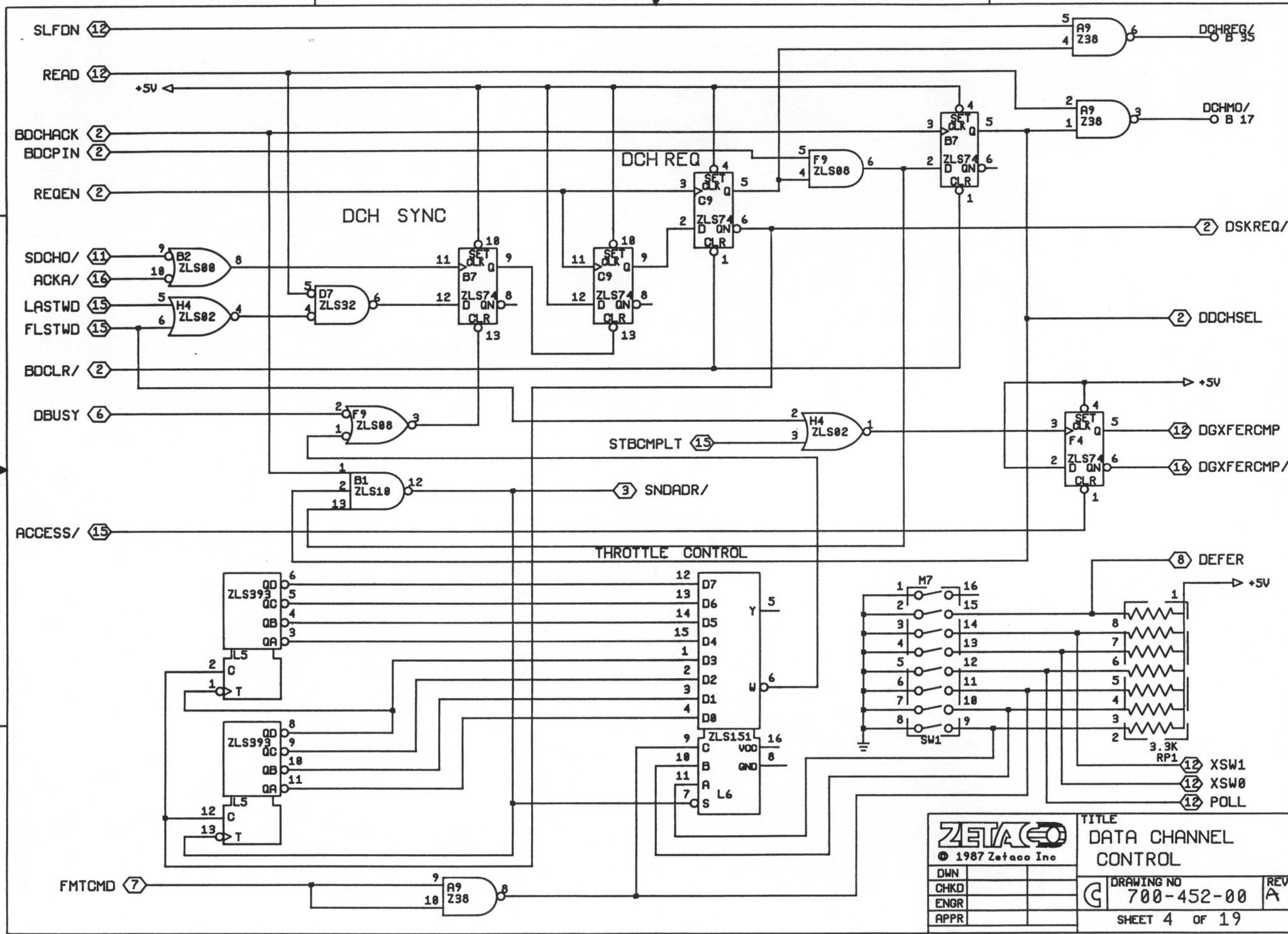
 © 1987 Zetaco Inc			TITLE		
			SCZ-2		
DWN	CHKD	ENGR	APPR	DRAWING NO	REV
CHK	DBP	9-19-87		700-452-00	A
				SHEET 1 OF 19	



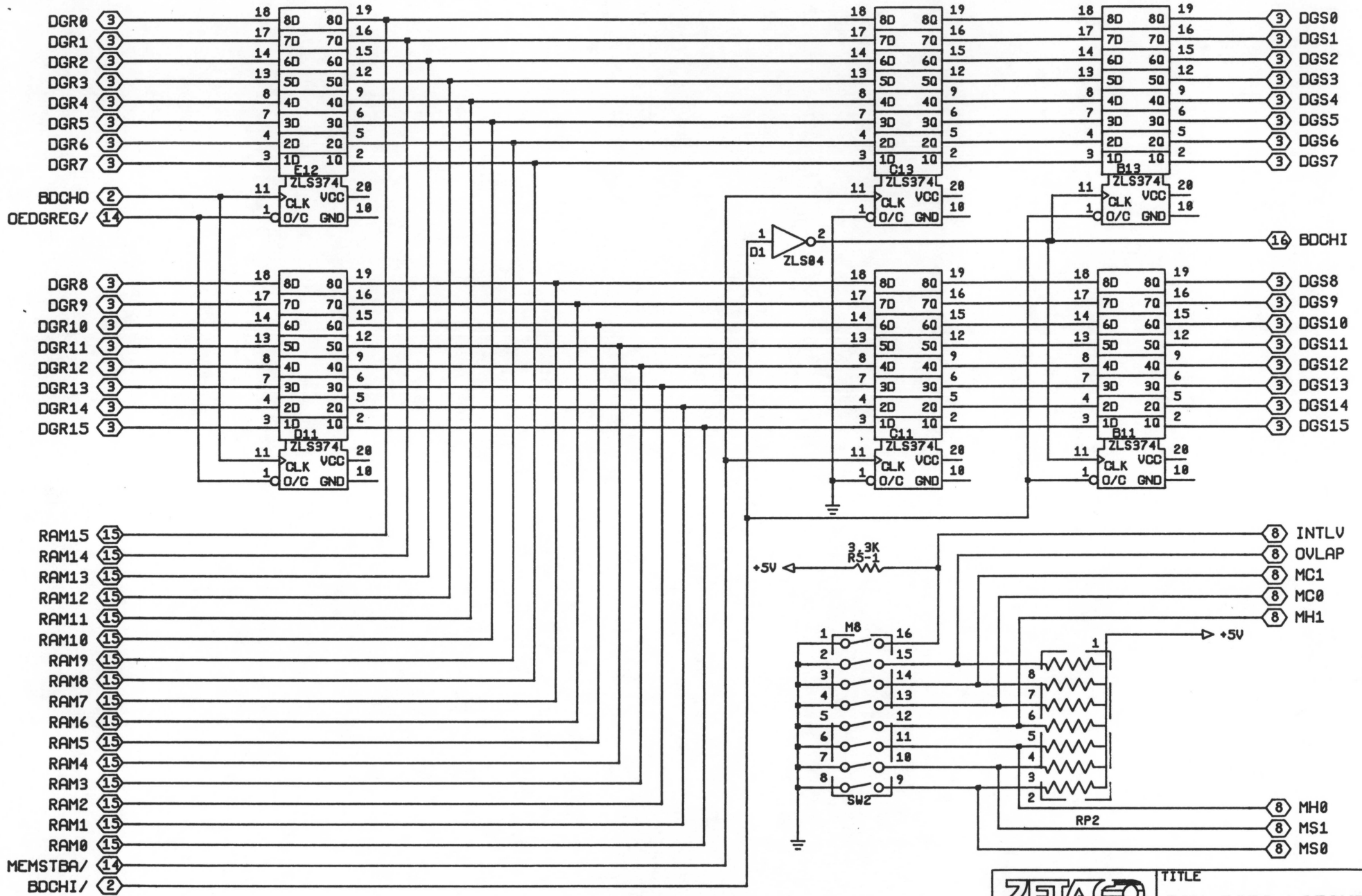
		TITLE	
		PROGRAM I/O	
© 1987 Zetaco Inc		DRAWING NO	REV
		700-452-00	A
DWN		SHEET 2 OF 19	
CHKD			
ENGR			
APPR			



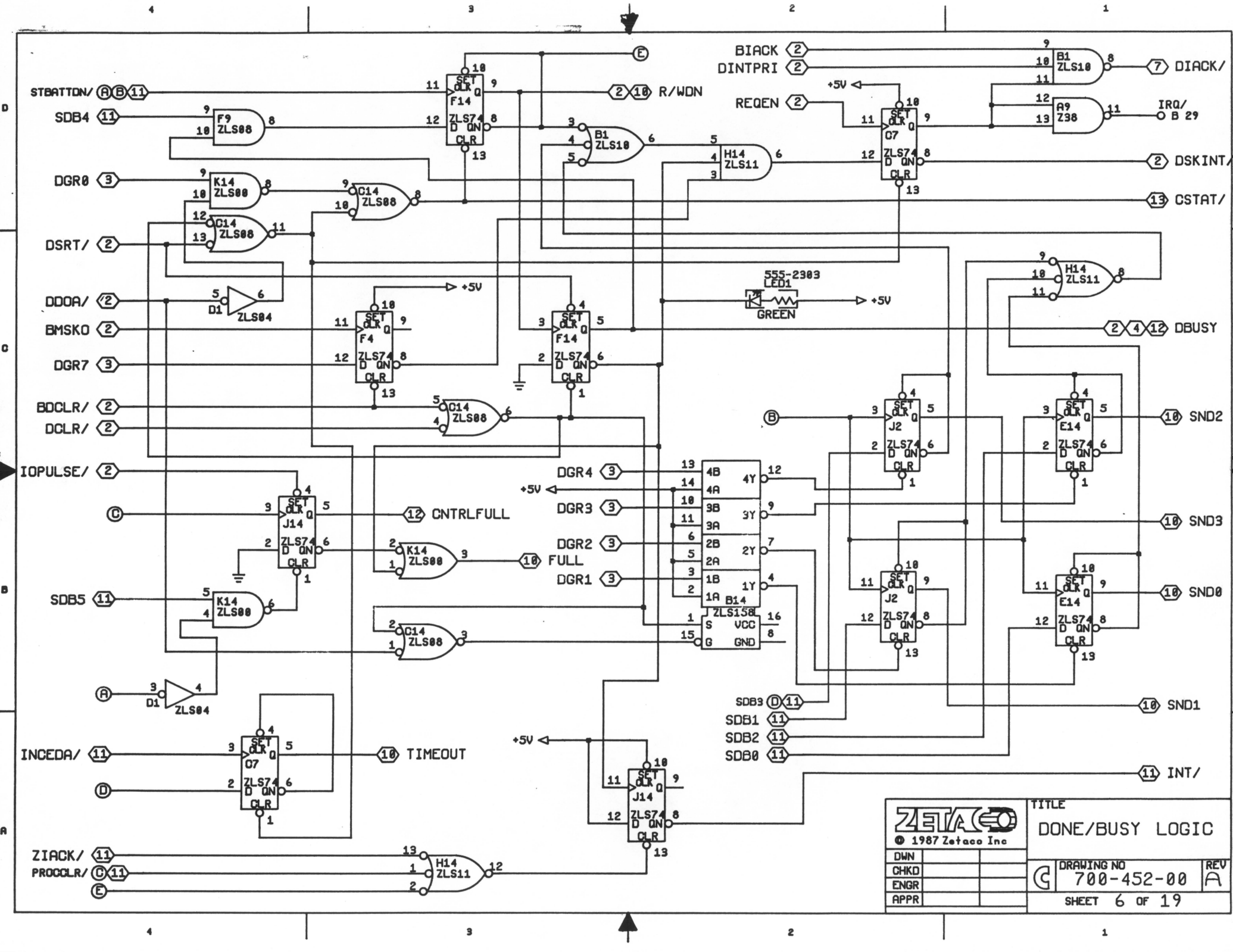
		TITLE	
		DCH ADR DATA XCVR	
DWN		DRAWING NO 700-452-00	REV A
CHKD			
ENGR			
APPR		SHEET 3 OF 19	



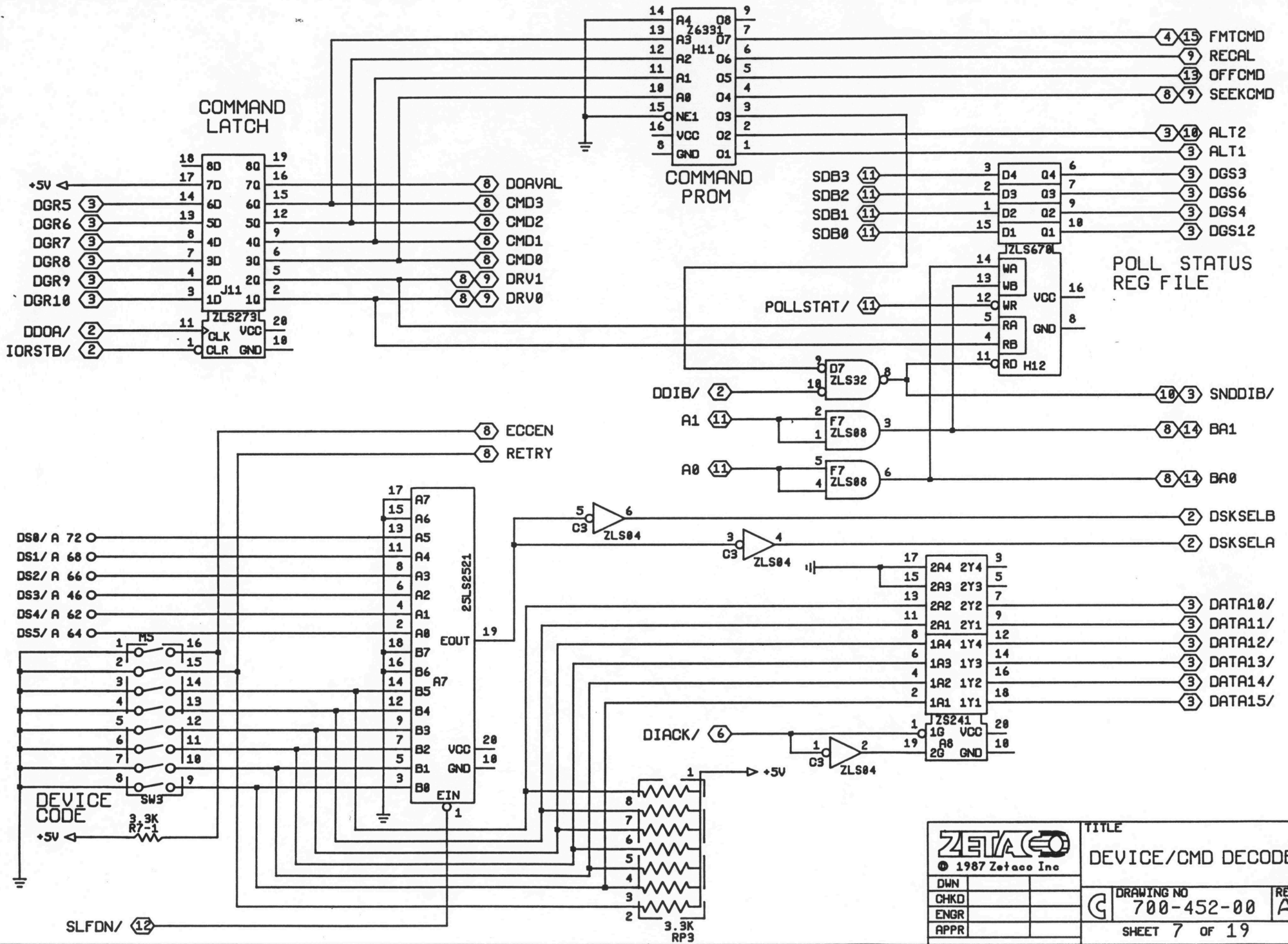
 © 1987 Zetaco Inc		TITLE			
		DATA CHANNEL CONTROL			
DWN		DRAWING NO	REV		
CHKD				700-452-00	A
ENGR					
APPR		SHEET 4 OF 19			



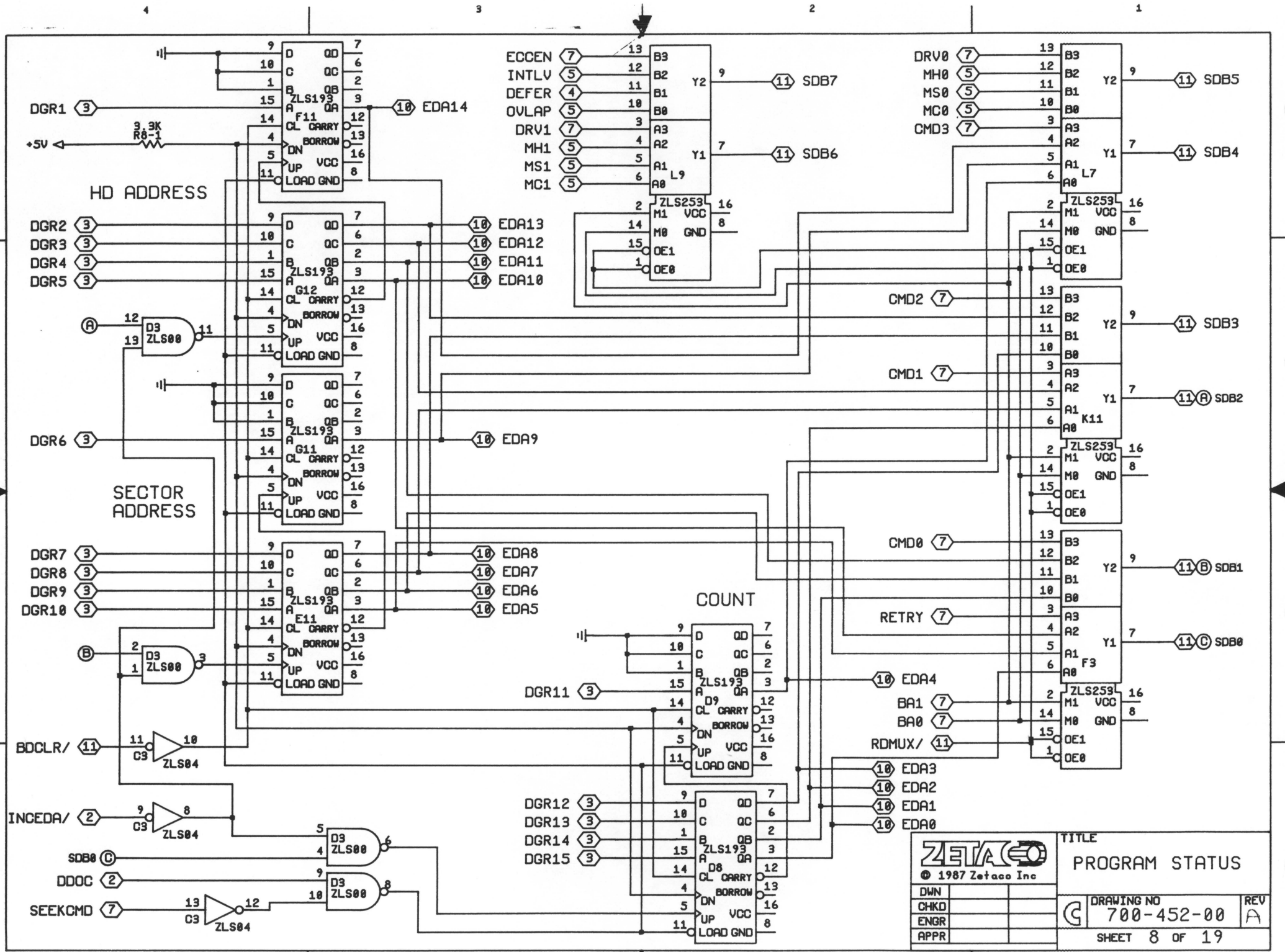
 © 1987 Zetaco Inc		TITLE			
		DCH DATA LATCHES			
DWN		DRAWING NO	REV		
CHKD				700-452-00	A
ENGR					
APPR		SHEET 5 OF 19			



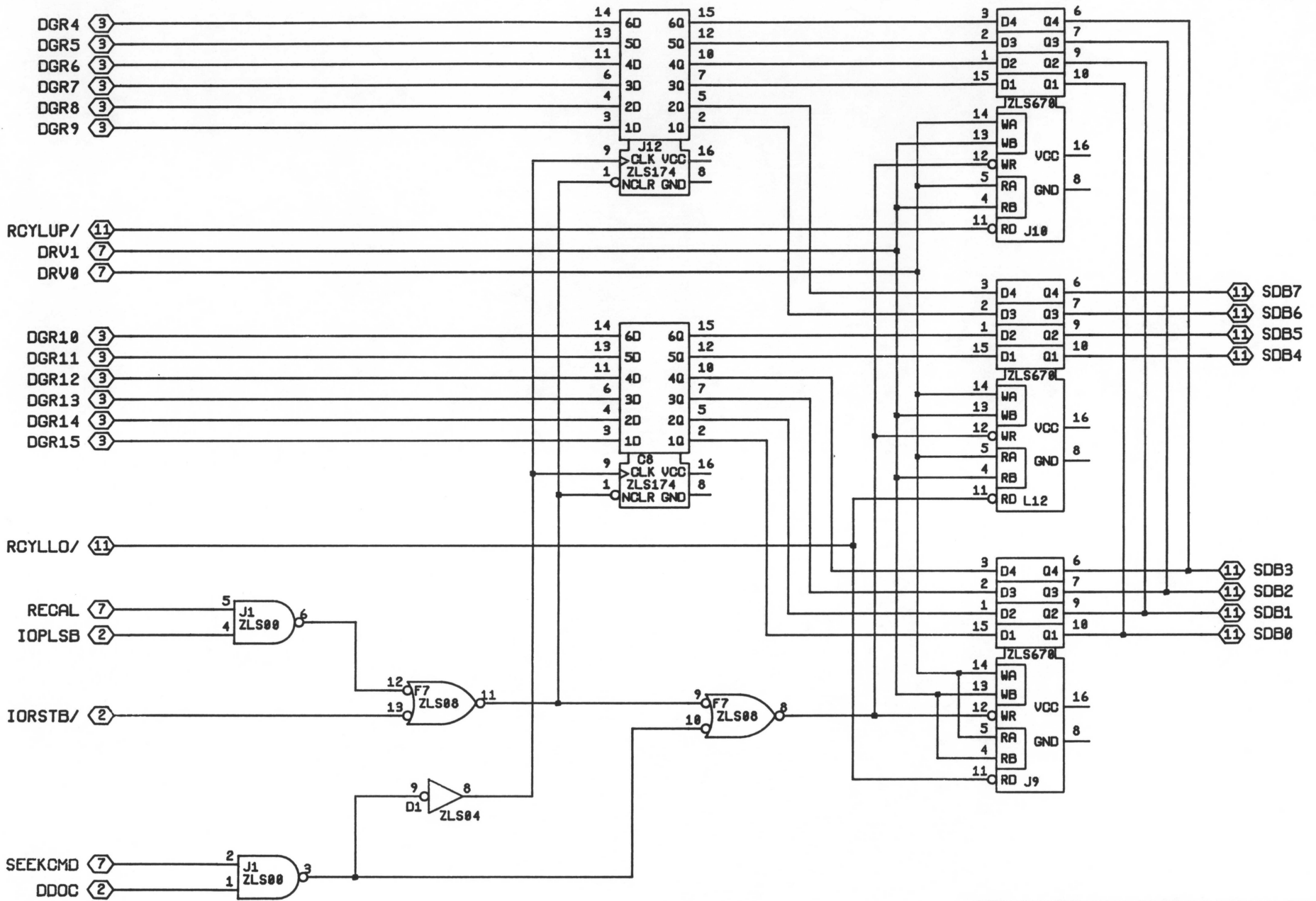
 © 1987 Zetaco Inc		TITLE	
		DONE/BUSY LOGIC	
DWN		DRAWING NO 700-452-00	REV
CHKD			A
ENGR			
APPR		SHEET 6 OF 19	




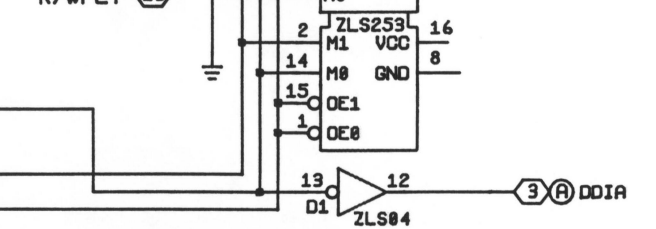
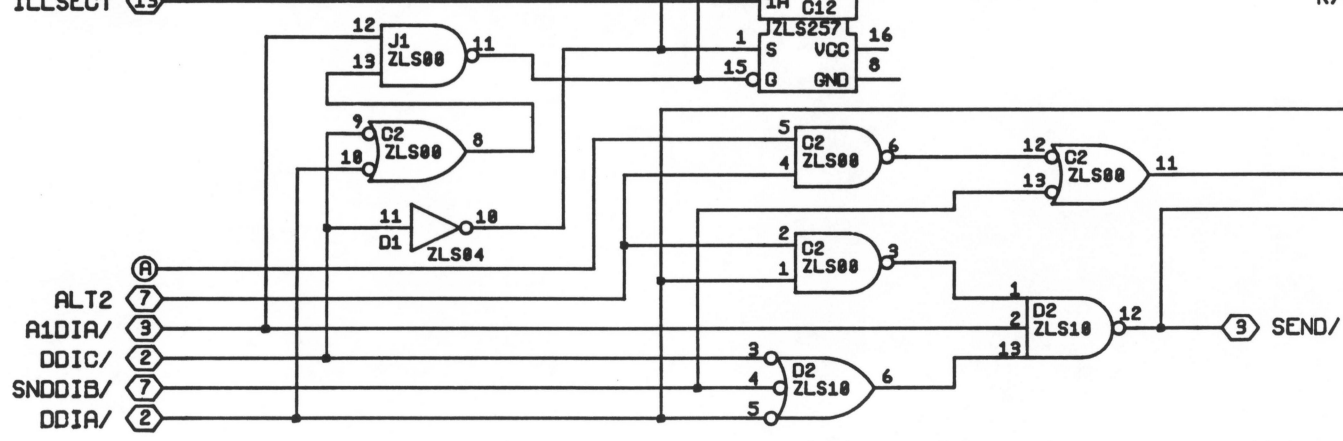
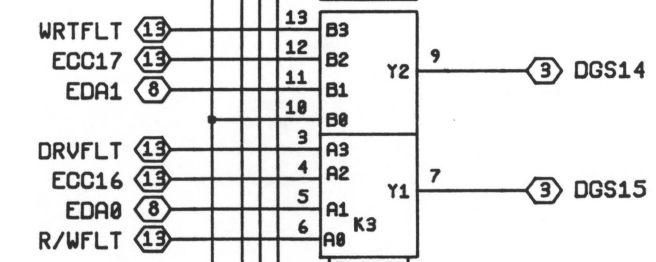
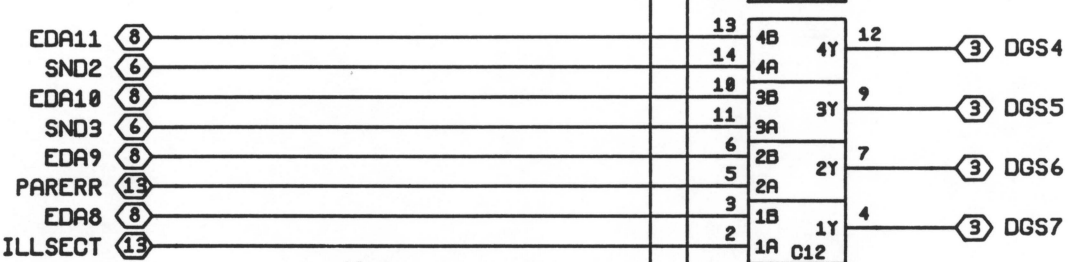
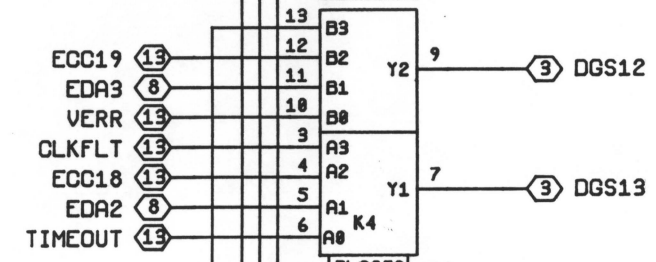
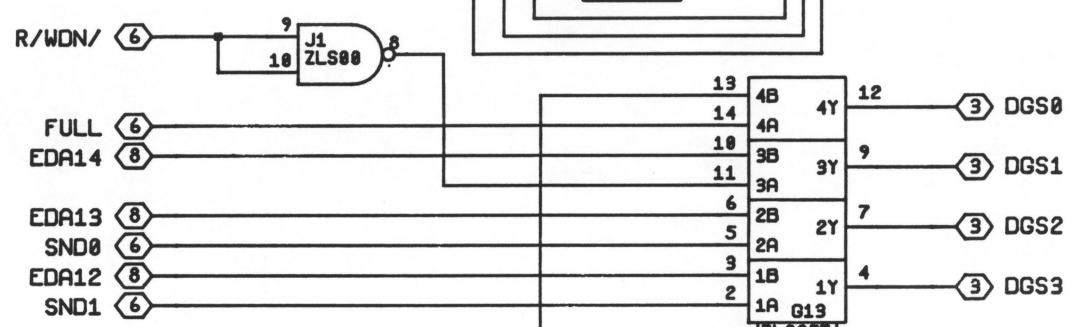
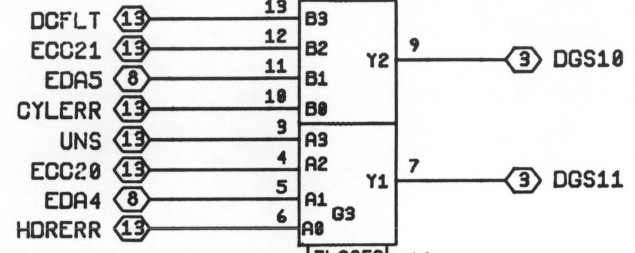
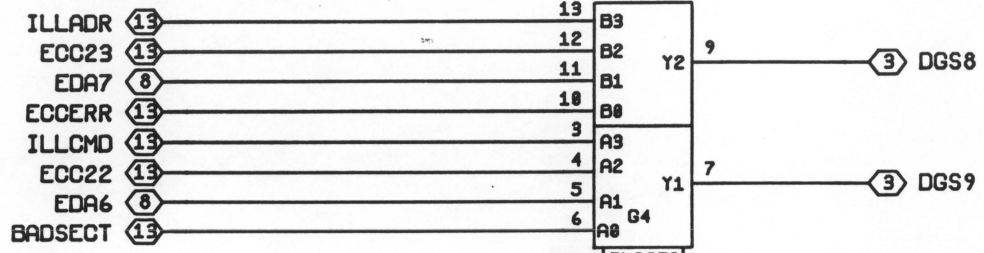
 © 1987 Zetaco Inc		TITLE	
		DEVICE/CMD DECODE	
DWN		DRAWING NO 700-452-00	REV
CHKD			A
ENGR			
APPR		SHEET 7 OF 19	



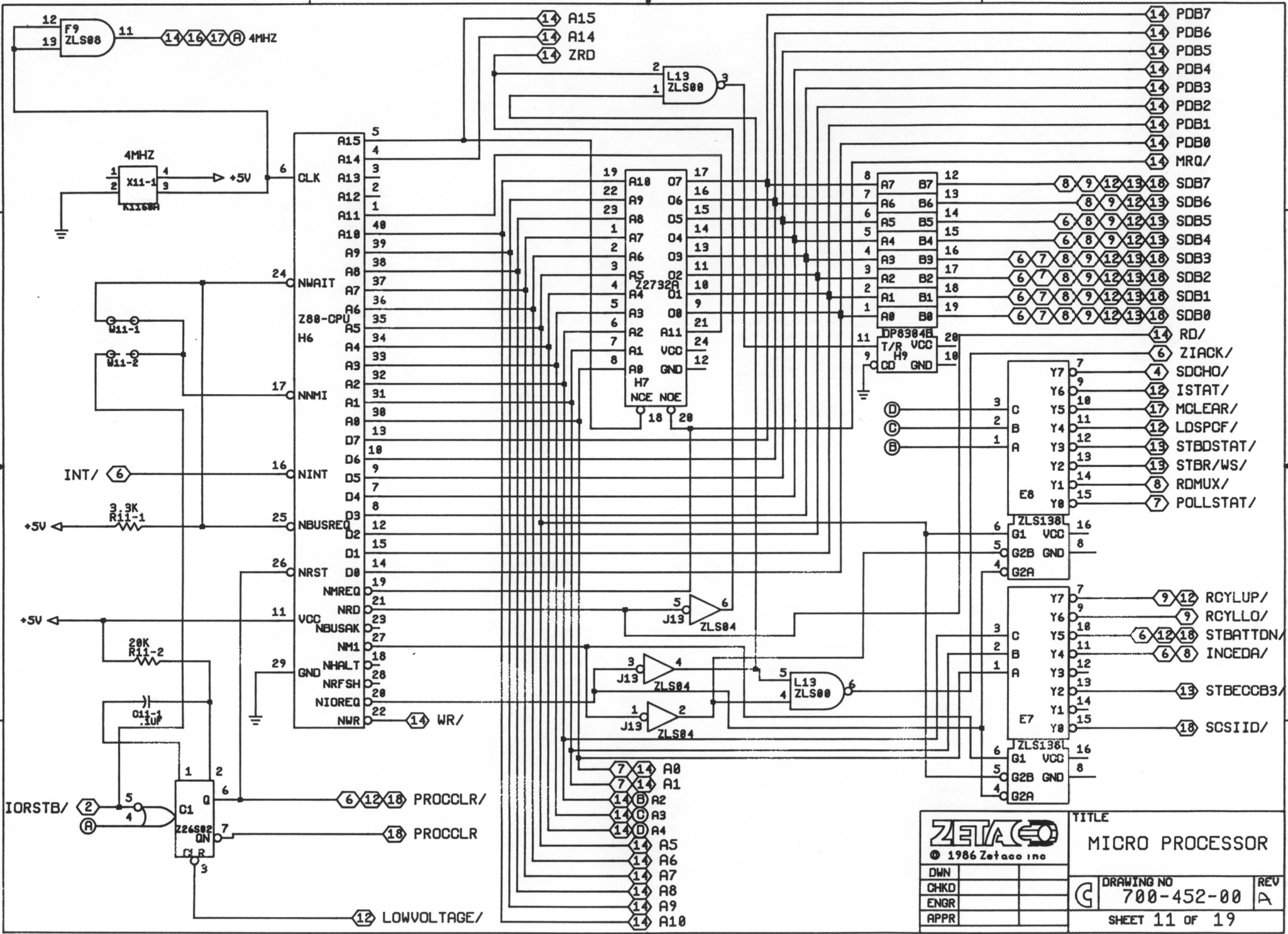
 © 1987 Zetaco Inc		TITLE			
		PROGRAM STATUS			
DWN		DRAWING NO	REV		
CHKD				700-452-00	A
ENGR				SHEET 8 OF 19	
APPR					



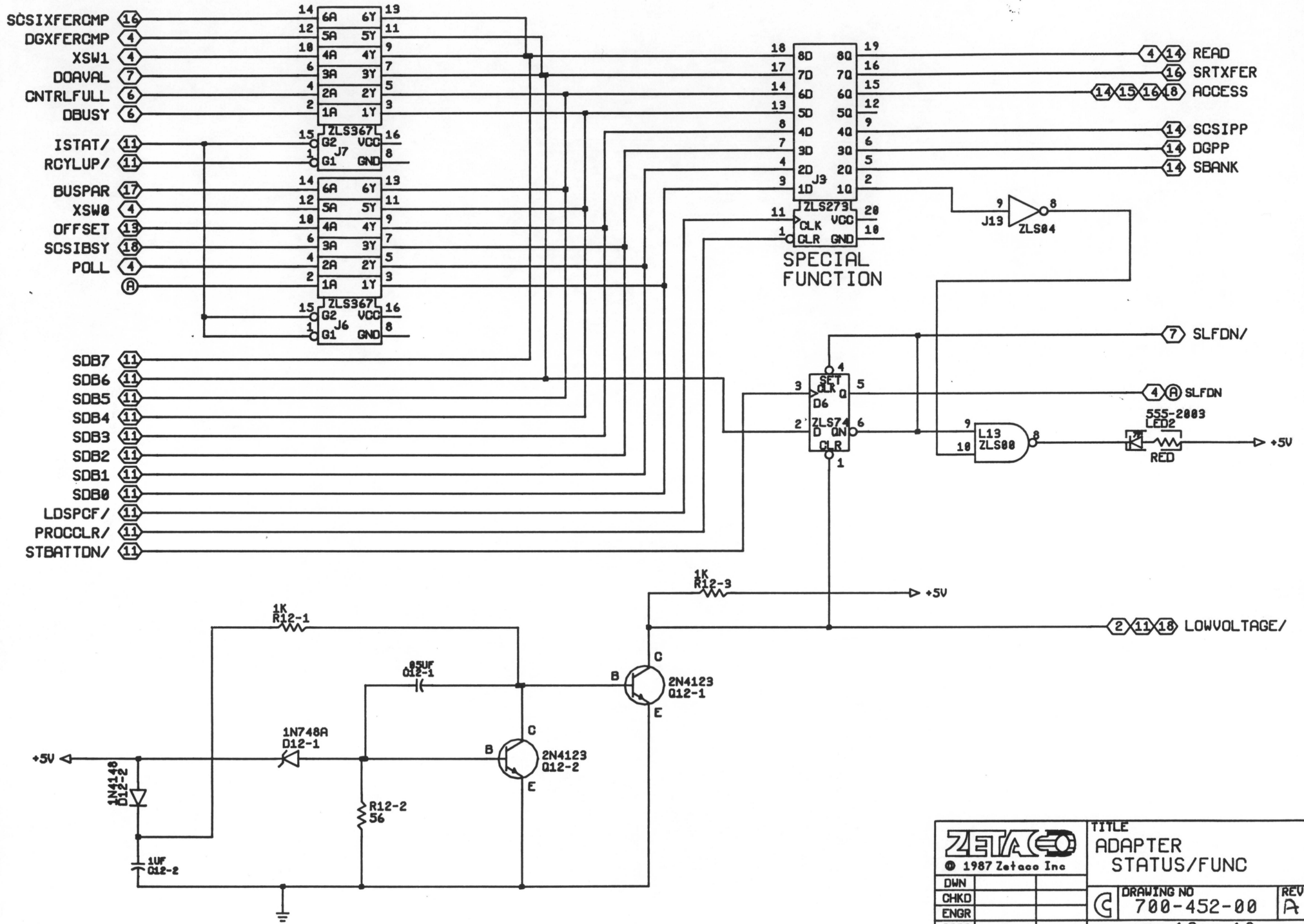
 © 1987 Zetaco Inc		TITLE	
		UNIT CYLINDER ADR	
DWN		DRAWING NO 700-452-00	REV A
CHKD			
ENGR			
APPR		SHEET 9 OF 19	



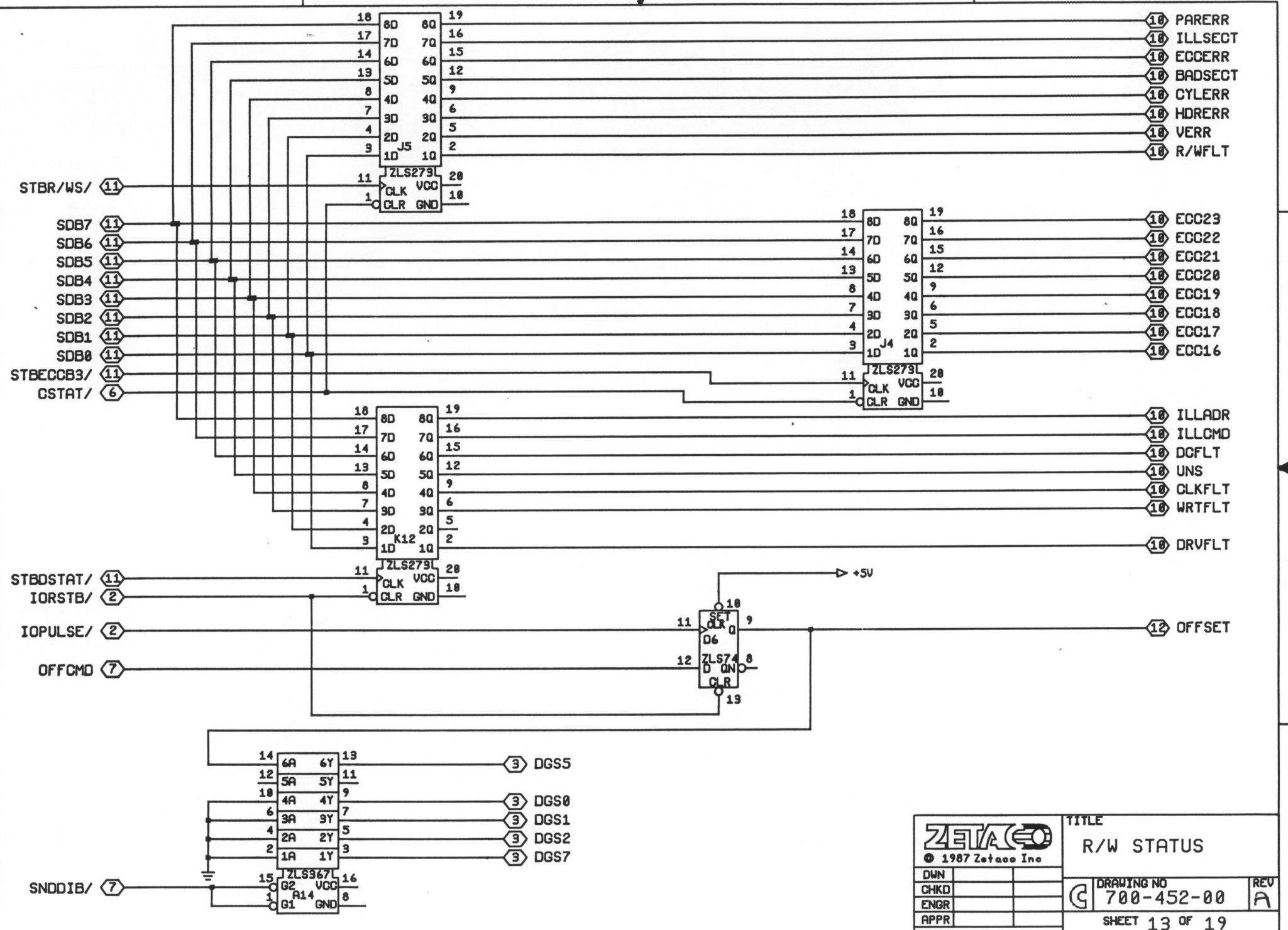
		TITLE			
		PROGRAM STATUS MUX			
DWN		DRAWING NO	REV		
CHKD				700-452-00	A
ENGR					
APPR		SHEET 10 OF 19			



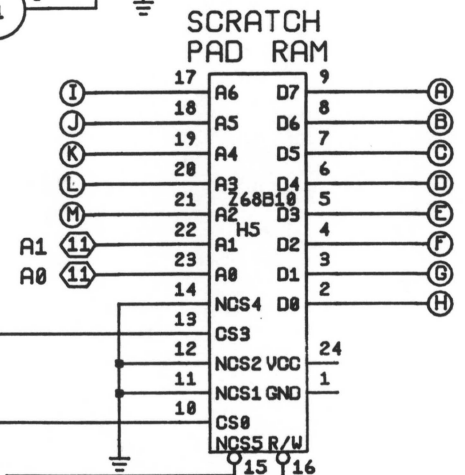
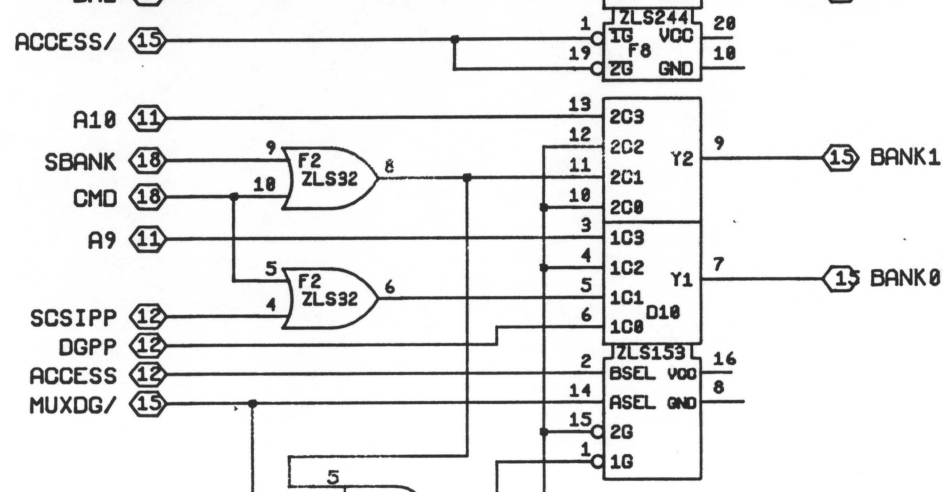
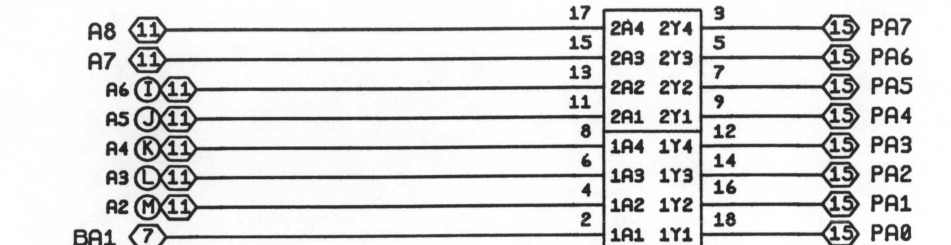
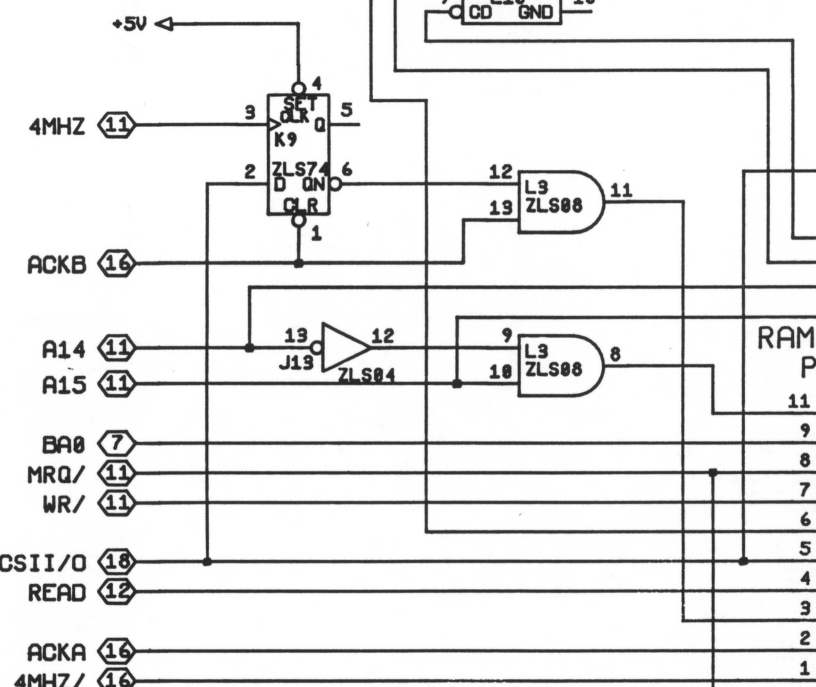
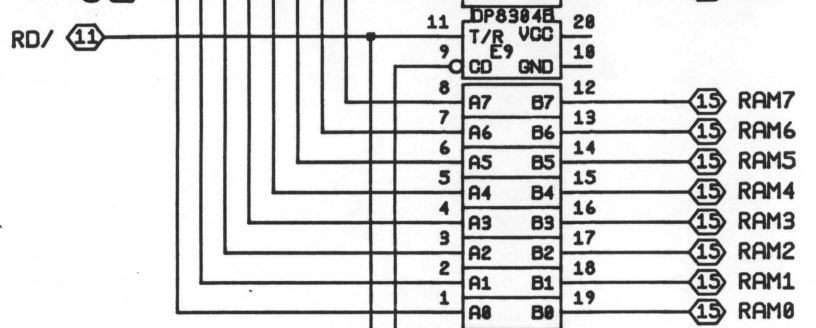
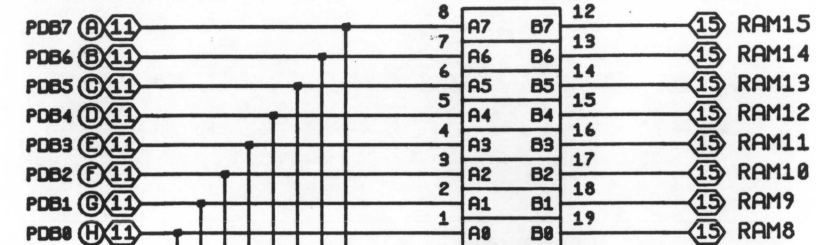
		TITLE	
		MICRO PROCESSOR	
DWN			DRAWING NO
CHKD			700-452-00
ENGR			REV
APPR			A
			SHEET 11 OF 19



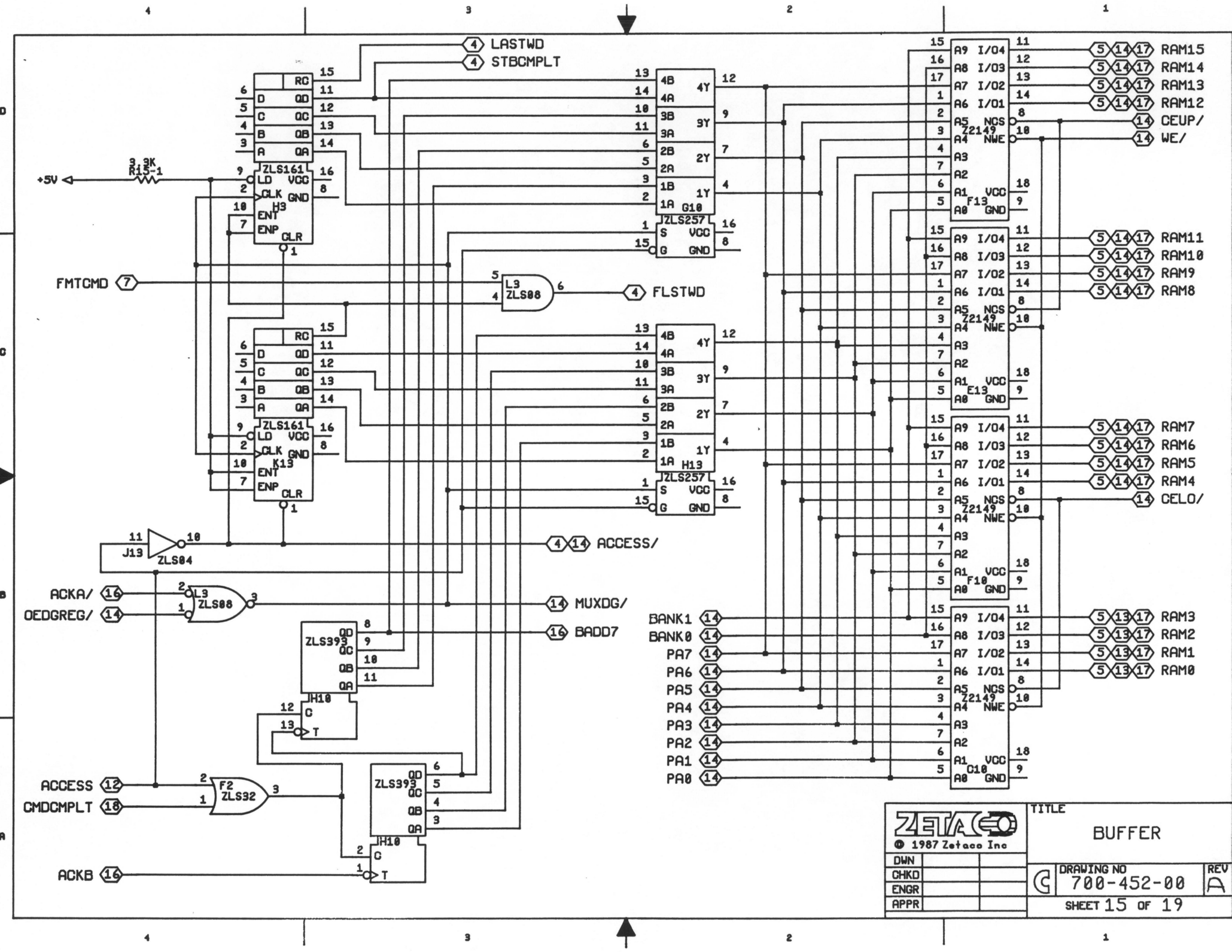
 © 1987 Zetaco Inc		TITLE ADAPTER STATUS/FUNC	
		DRAWING NO 700-452-00	REV A
DWN CHKD ENGR APPR	SHEET 12 OF 19		



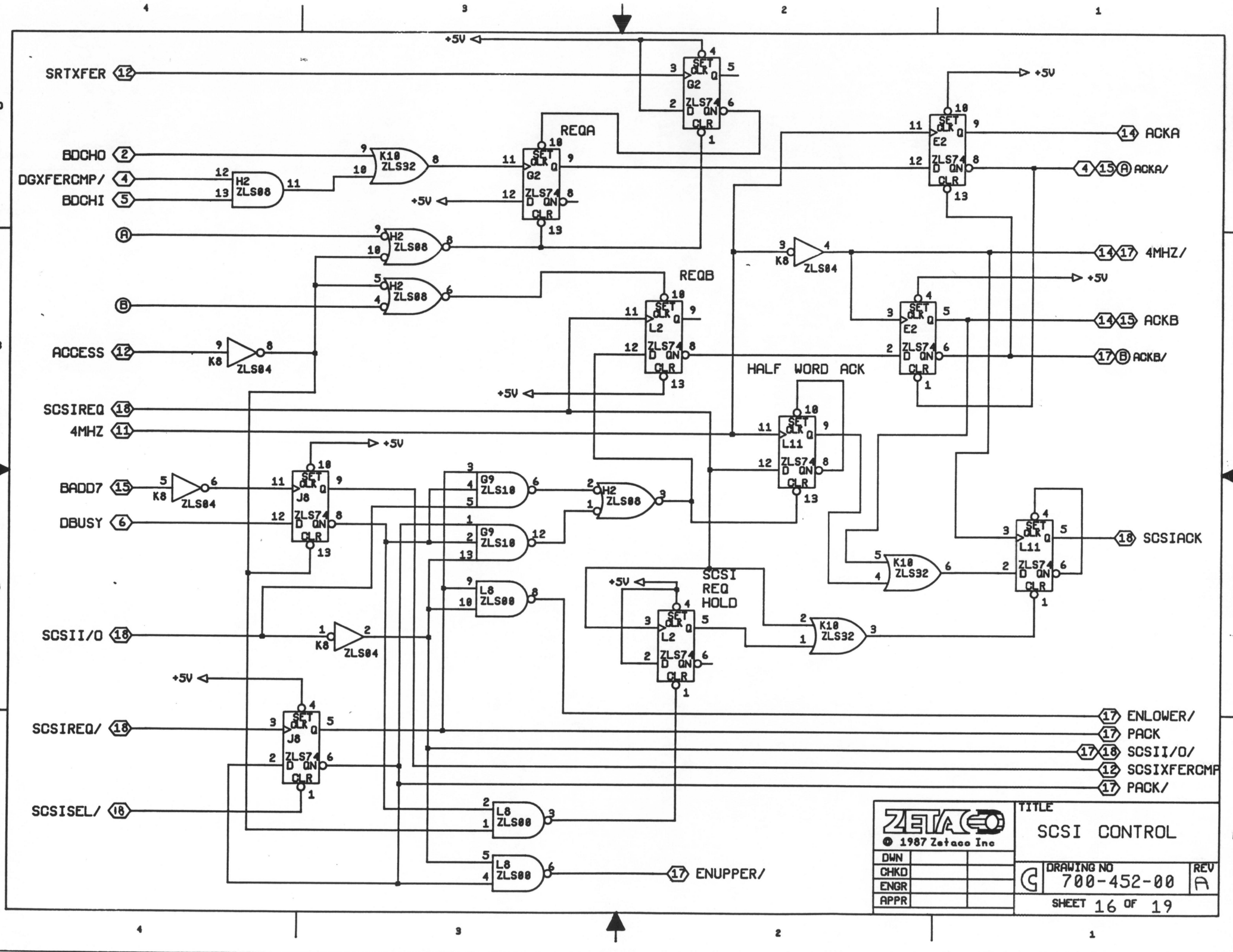
 © 1987 Zetaco Inc		TITLE			
		R/W STATUS			
DWN		DRAWING NO	REV		
CHKD				700-452-00	A
ENGR					
APPR		SHEET 13 OF 19			



 © 1987 Zetaco Inc		TITLE			
		BUFFER CONTROL			
DWN		DRAWING NO	REV		
CHKD				700-452-00	A
ENGR					
APPR		SHEET 14 OF 19			



 © 1987 Zetaco Inc		TITLE	
		BUFFER	
DWN		DRAWING NO 700-452-00	REV
CHKD			A
ENGR			
APPR		SHEET 15 OF 19	

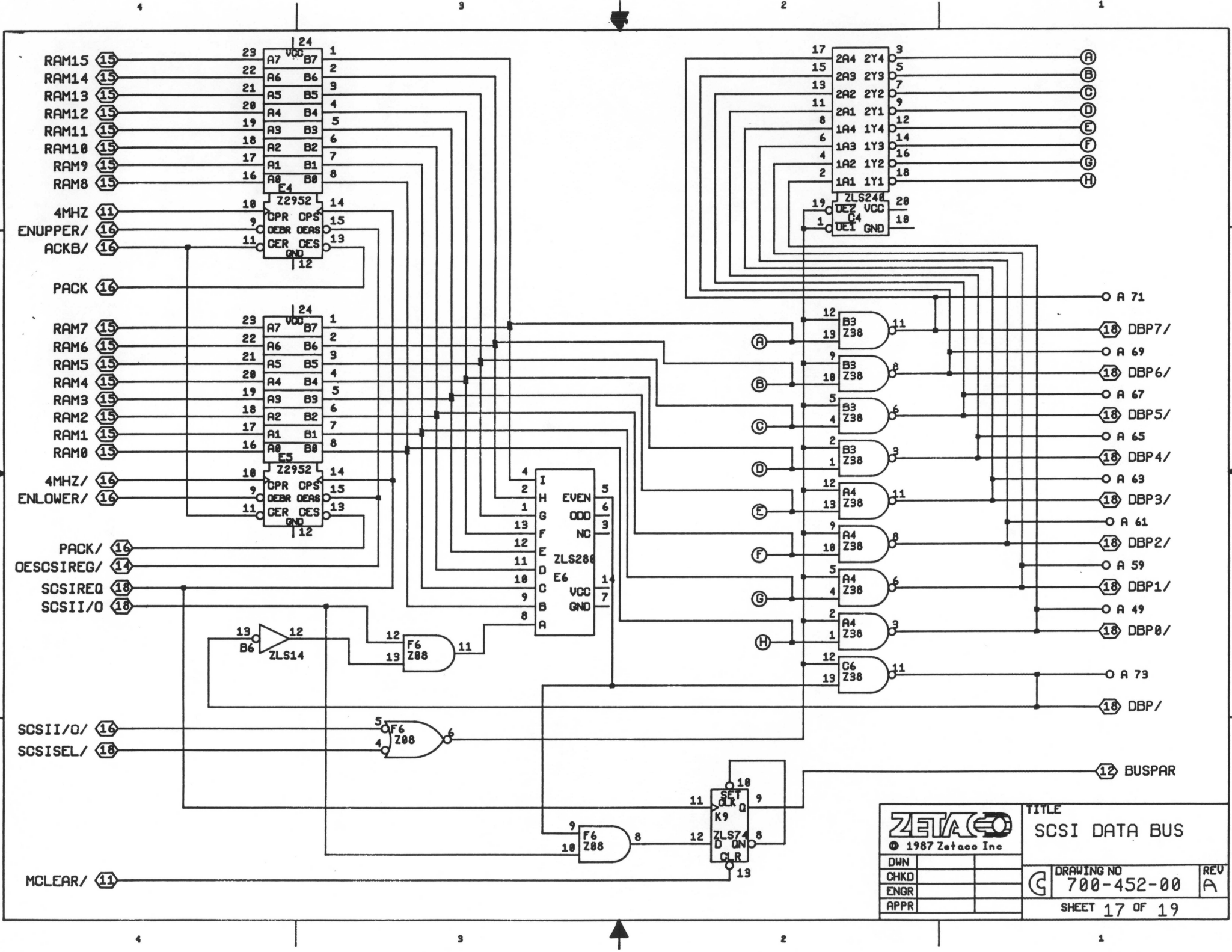


ZETA
 © 1987 Zetaco Inc

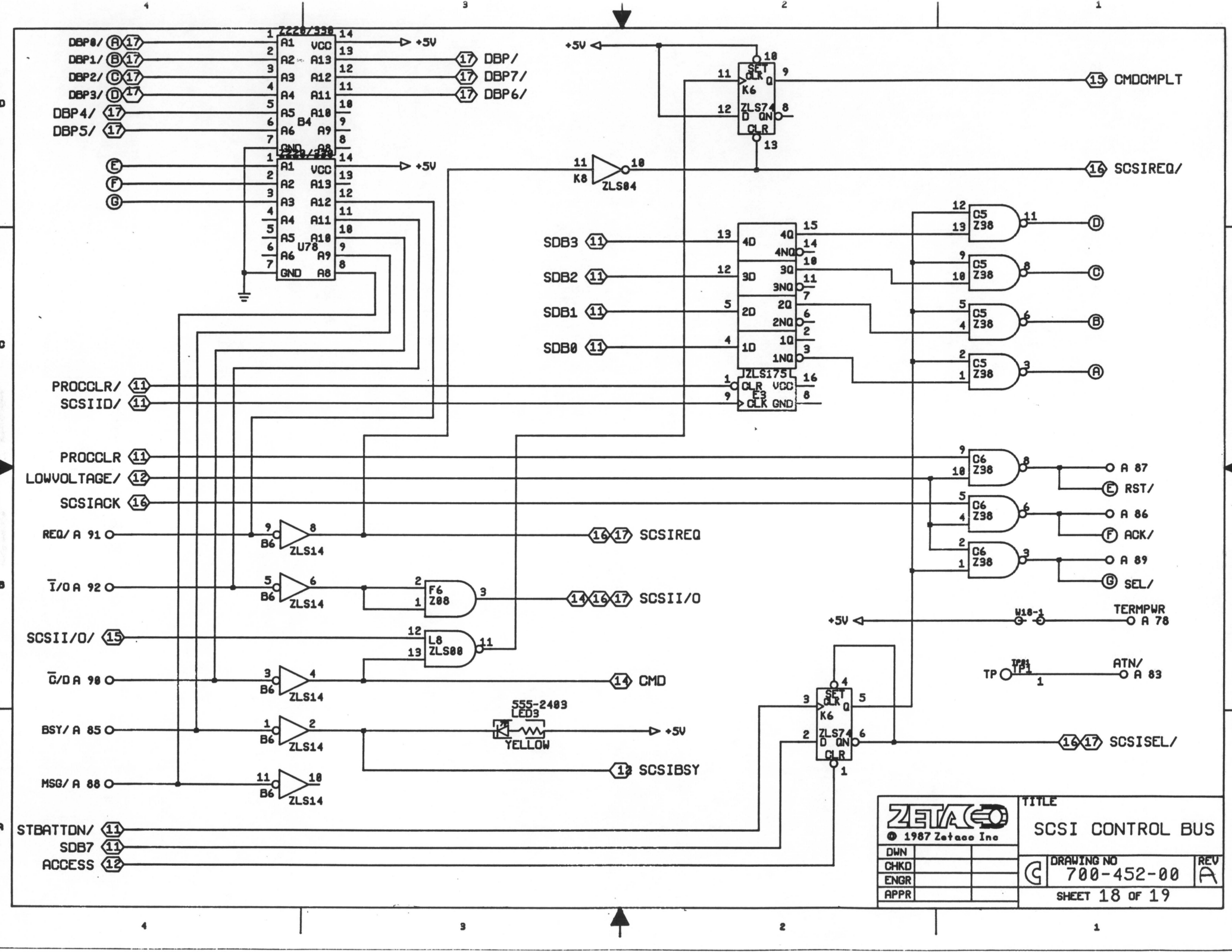
DWN	
CHKD	
ENGR	
APPR	

TITLE
SCSI CONTROL

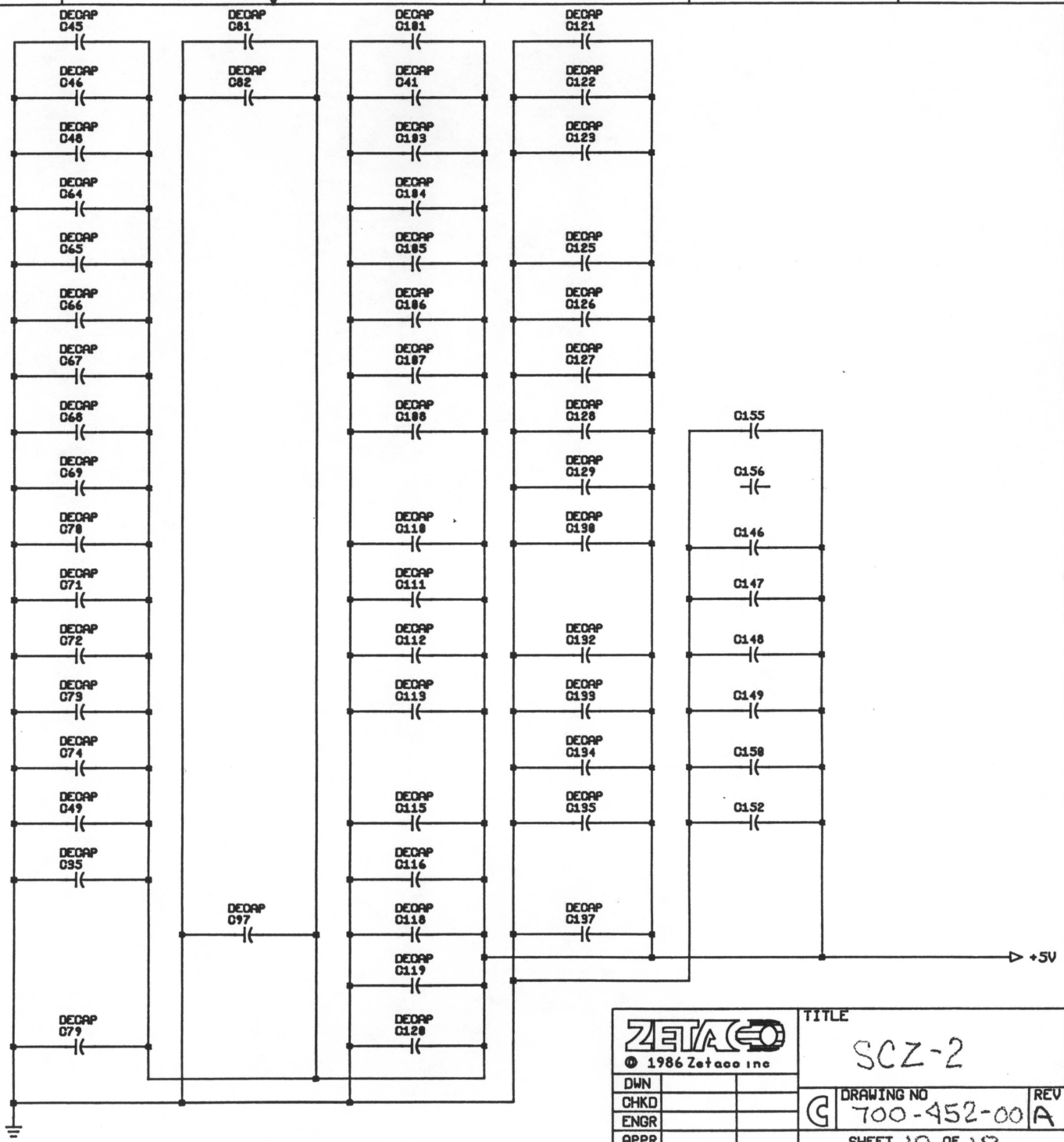
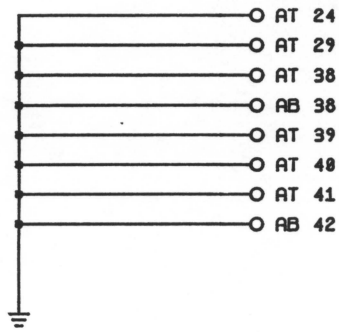
C	DRAWING NO	700-452-00	REV	A
	SHEET 16 OF 19			



		TITLE	
		SCSI DATA BUS	
© 1987 Zetaco Inc		C DRAWING NO 700-452-00	REV A
DWN			SHEET 17 OF 19
CHKD			
ENGR			
APPR			



 © 1987 Zetaco Inc		TITLE			
		SCSI CONTROL BUS			
DWN		DRAWING NO	REV		
CHKD				700-452-00	A
ENGR					
APPR		SHEET 18 OF 19			



		TITLE	
		SCZ-2	
DWN		G DRAWING NO 700-452-00 A	REV
CHKD			
ENGR			
APPR		SHEET 19 OF 19	